

[54] PHOTOGRAPHIC CLOSE UP SETTING APPARATUS

[75] Inventors: Reinhard Voigt; Siegfried Zeibig, both of Dresden, German Democratic Rep.

[73] Assignee: VEB Pentacon Dresden Kamera-und Kinowerke, Dresden, German Democratic Rep.

[**] Term: 14 Years

[21] Appl. No.: 50,251

[22] Filed: Jun. 20, 1979

[51] Int. Cl. D16-03

[52] U.S. Cl. D16/38

[58] Field of Search D16/38; 354/81, 158, 354/187, 192, 193, 194, 196, 202, 272, 273, 288, 293, 295, 286

[56] References Cited

U.S. PATENT DOCUMENTS

2,684,020	7/1954	Kellner	354/293
4,030,114	6/1977	Telfer	354/81
4,095,246	6/1978	Kellner	354/286

OTHER PUBLICATIONS

The British Journal of Photography, p. XIV, Feb. 17, 1978, (lower right corner), (Also in Dec. 16, 1977).

Primary Examiner—Peter M. Caun

Attorney, Agent, or Firm—James C. Wray

[57] CLAIM

The ornamental design for a photographic close up setting apparatus, as shown and described.

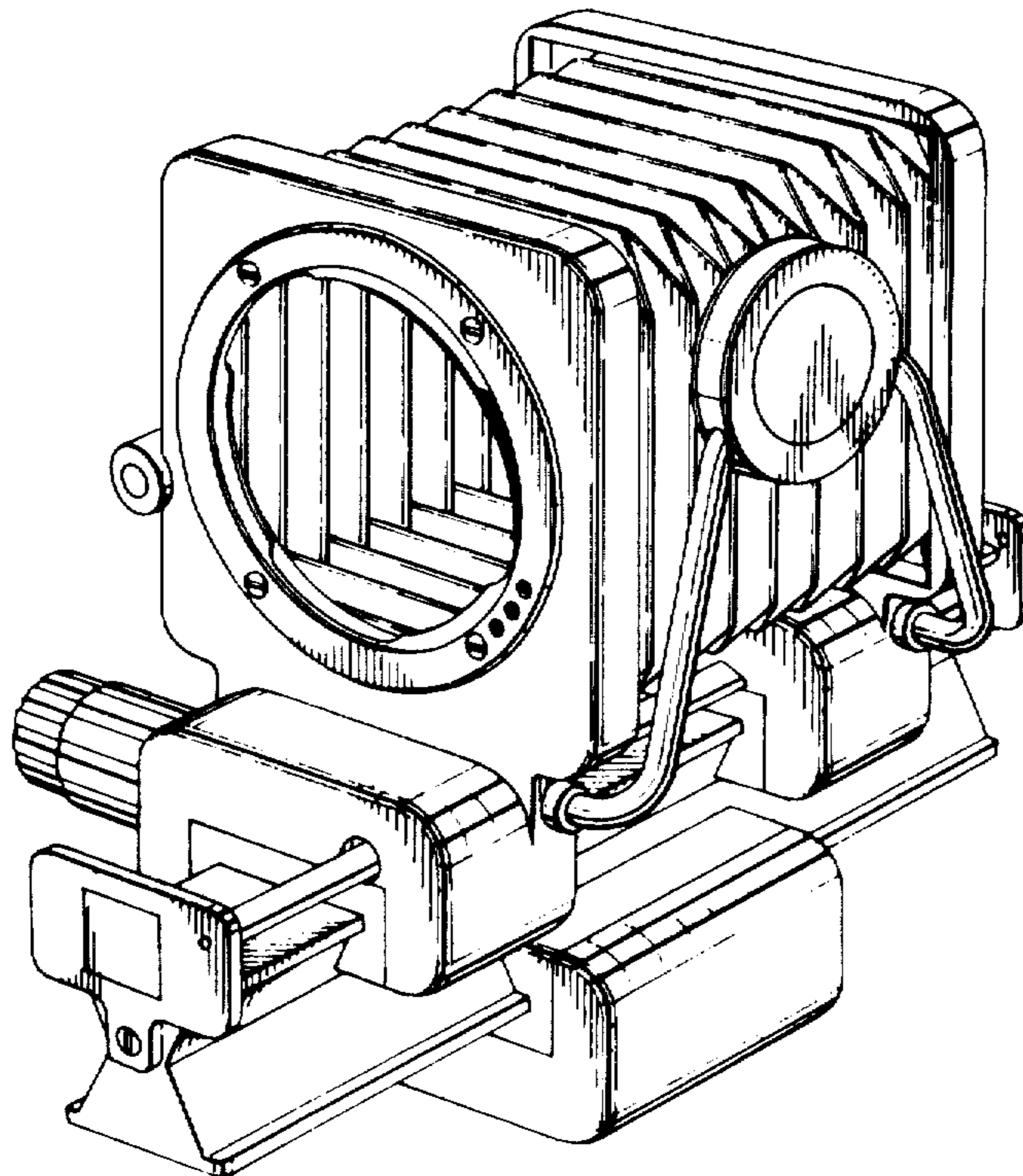
DESCRIPTION

FIG. 1 is a perspective view of the photographic close up setting apparatus from the front and one side showing our new design;

FIG. 2 is a perspective view of the apparatus from the front and other side;

FIG. 3 is a rear elevation thereof; and

FIG. 4 is a bottom plan view thereof.



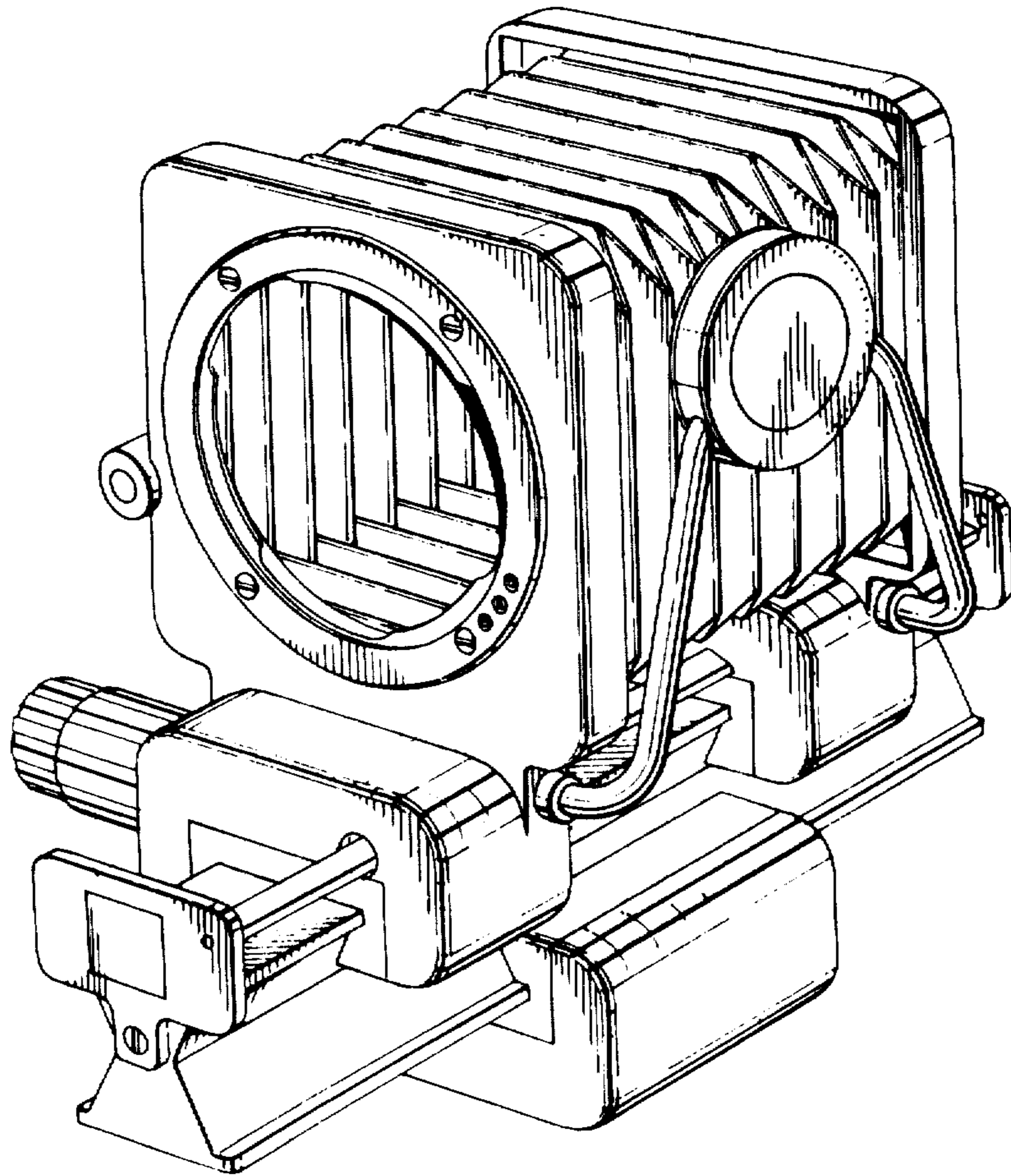


FIG. 1

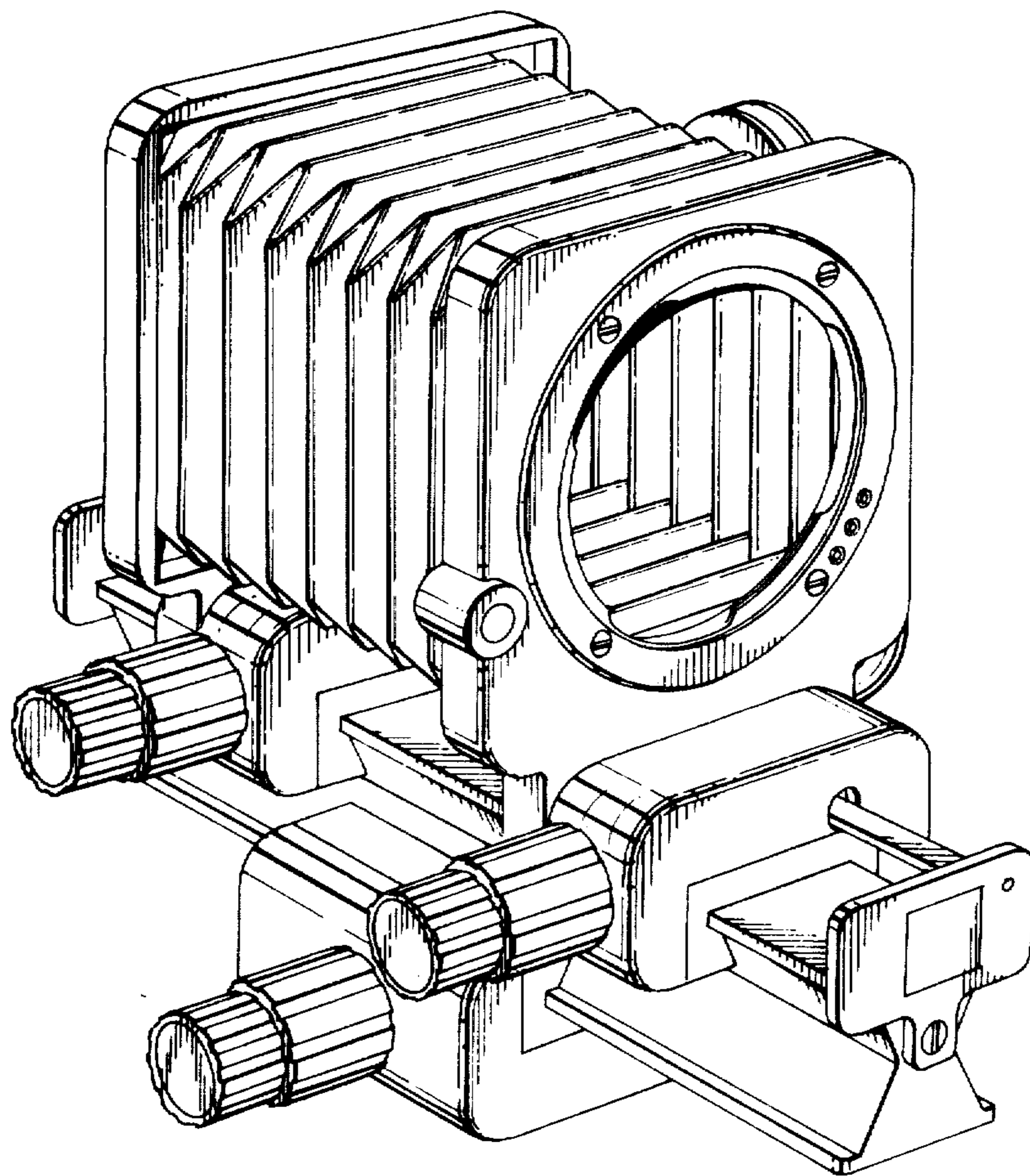


FIG. 2

FIG. 3

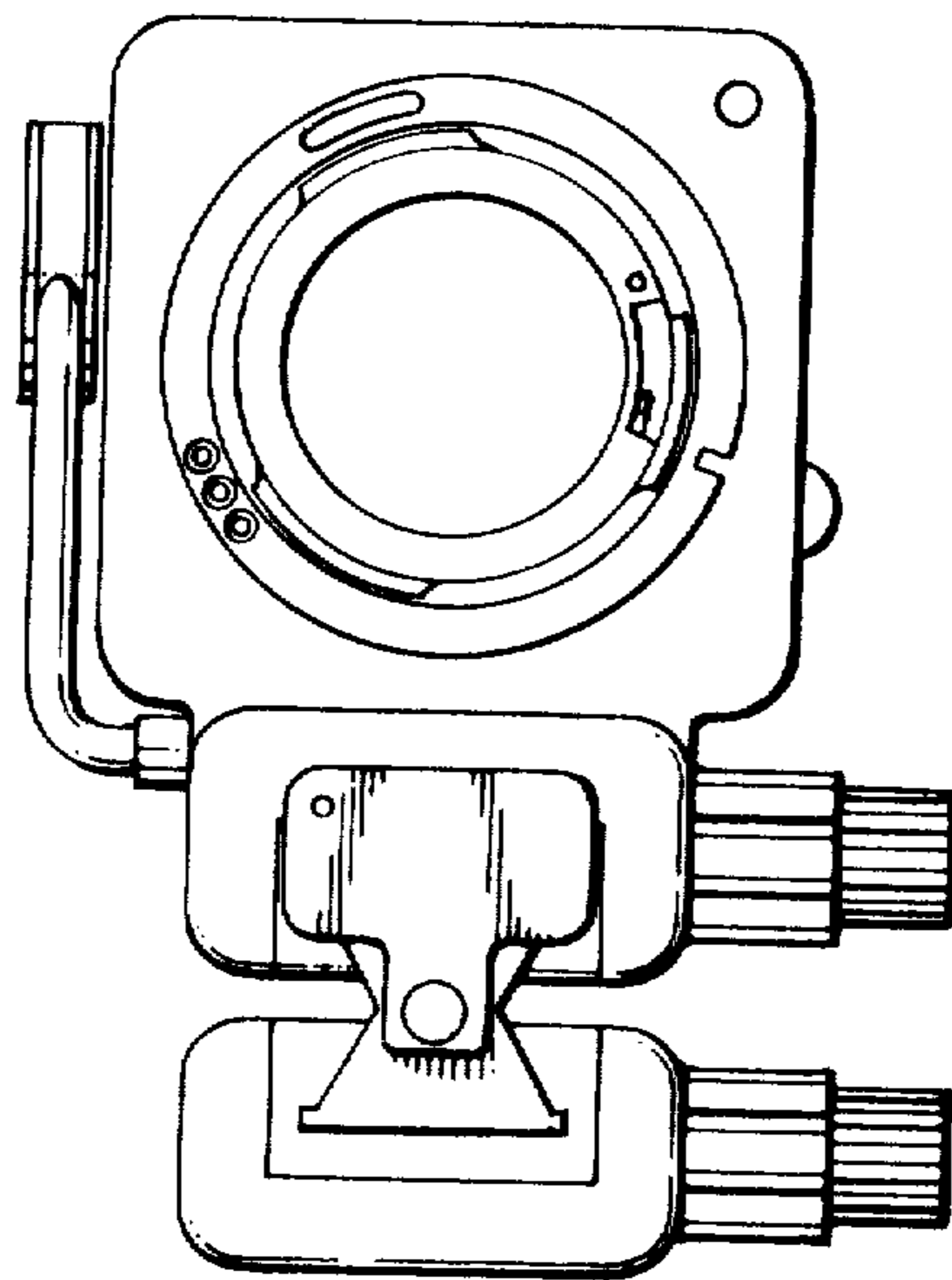


FIG. 4

