

[54] SINGLE LENS REFLEX CAMERA

[75] Inventor: Takaharu Kato, Tokyo, Japan

[73] Assignee: Ricoh Company, Ltd., Tokyo, Japan

[**] Term: 7 Years

[21] Appl. No.: 117,627

[22] Filed: Feb. 1, 1980

[30] Foreign Application Priority Data

Feb. 8, 1979 [JP] Japan 54-32358

[51] Int. Cl. D16-01

[52] U.S. Cl. D16/8

[58] Field of Search D16/1-2,
D16/5-8, 9, 10; 354/152-158, 202, 288

[56] References Cited

U.S. PATENT DOCUMENTS

| | | | | |
|------------|---------|---------|-------|-----------|
| D. 253,475 | 11/1979 | Kramer | | D16/6 |
| 3,094,911 | 6/1963 | Reiche | | D16/8 |
| 3,999,194 | 12/1976 | Imura | | 354/152 X |
| 4,137,539 | 1/1979 | Maitani | | 354/152 |

Primary Examiner—Nelson C. Holtje
Attorney, Agent, or Firm—Wyatt, Gerber, Shoup,
Scobey & Badie

[57] CLAIM

The ornamental design for a single lens reflex camera,
as shown and described.

DESCRIPTION

FIG. 1 is a left side front perspective view of a single lens reflex camera, showing my new design.
FIG. 2 is a front elevational view thereof.
FIG. 3 is a top plan view thereof.
FIG. 4 is a right side elevational view thereof.
FIG. 5 is a left side elevational view thereof.
FIG. 6 is a rear elevational view thereof.
FIG. 7 is a bottom plan view thereof.

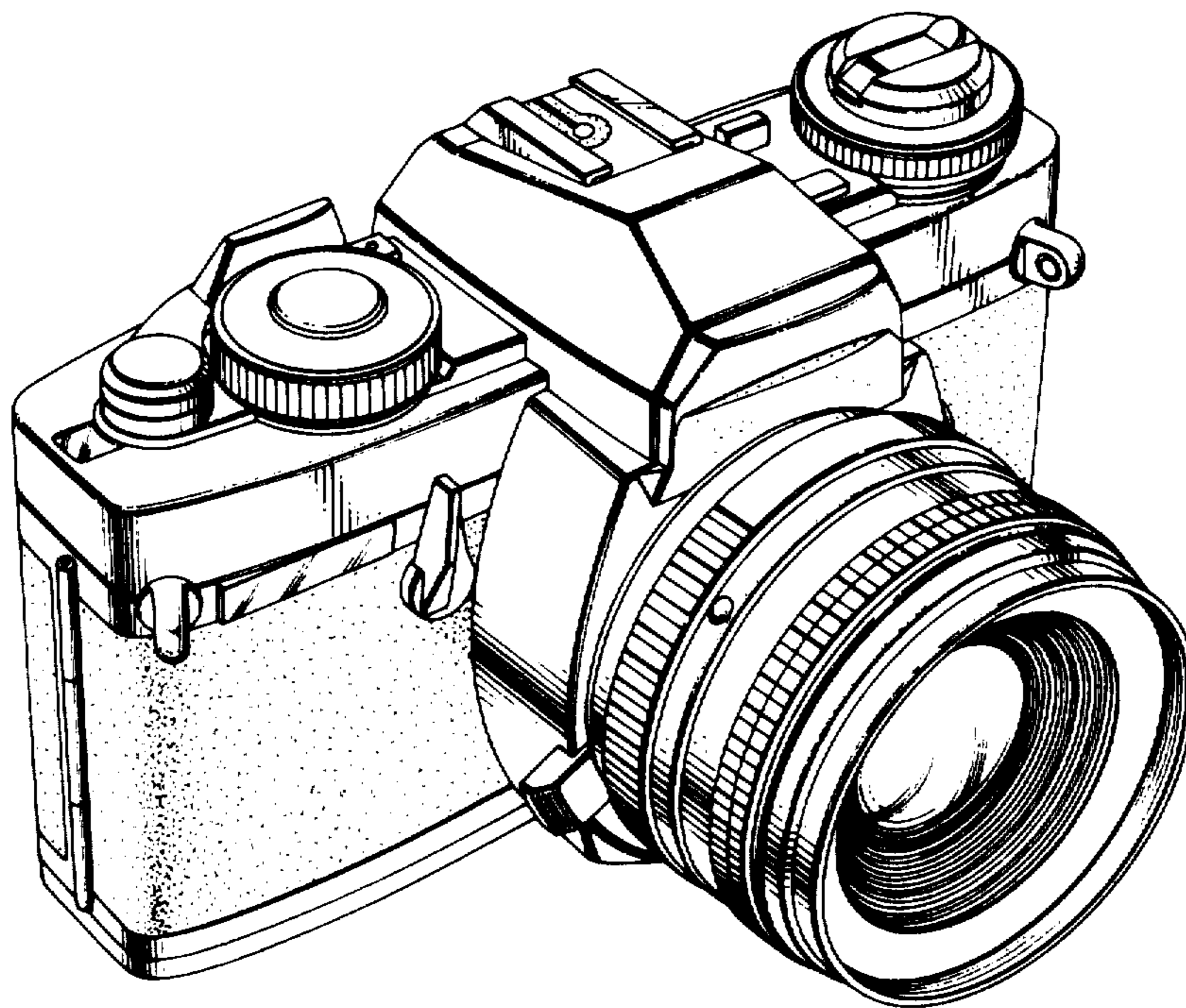


FIG. 1

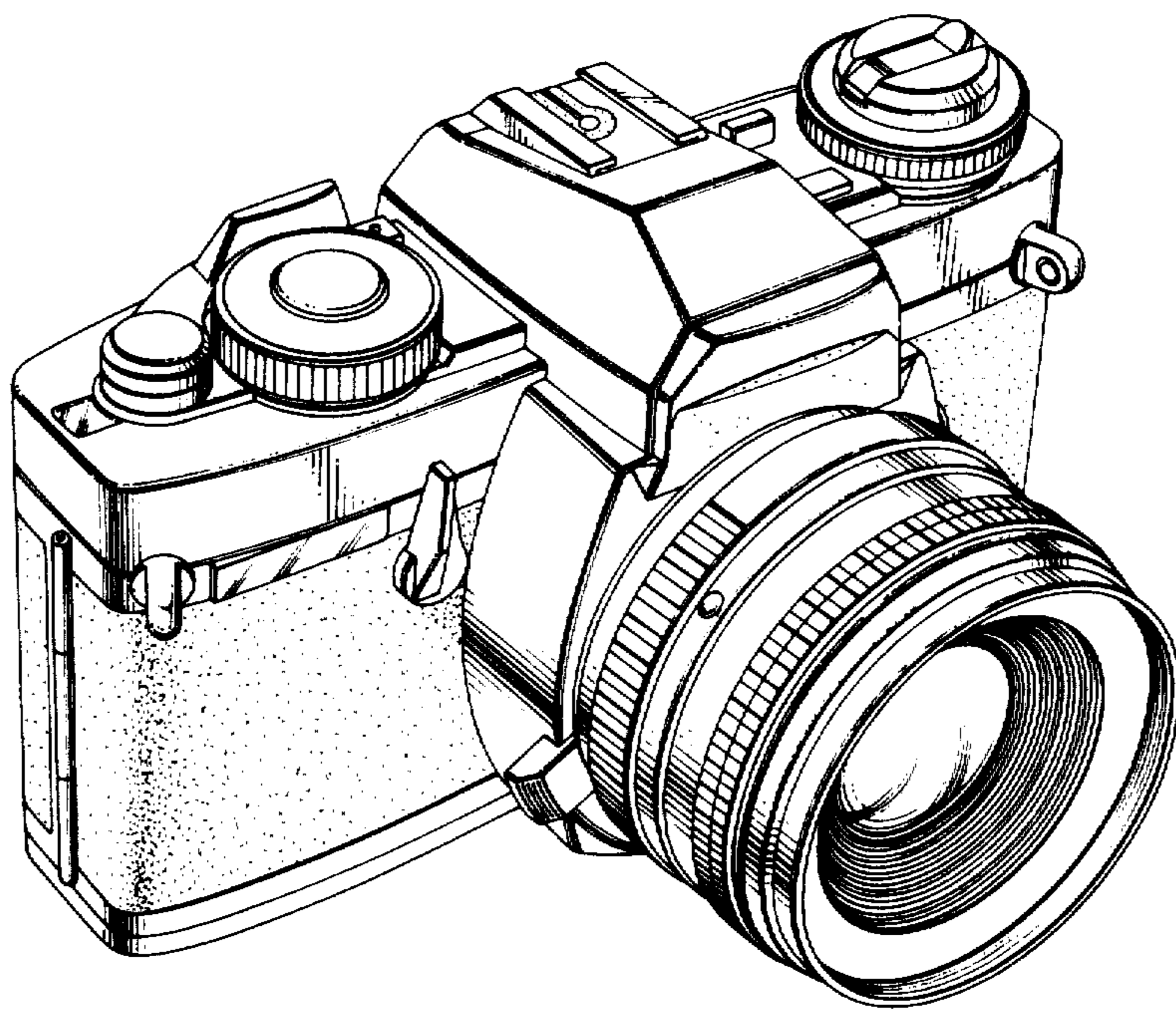


FIG. 2

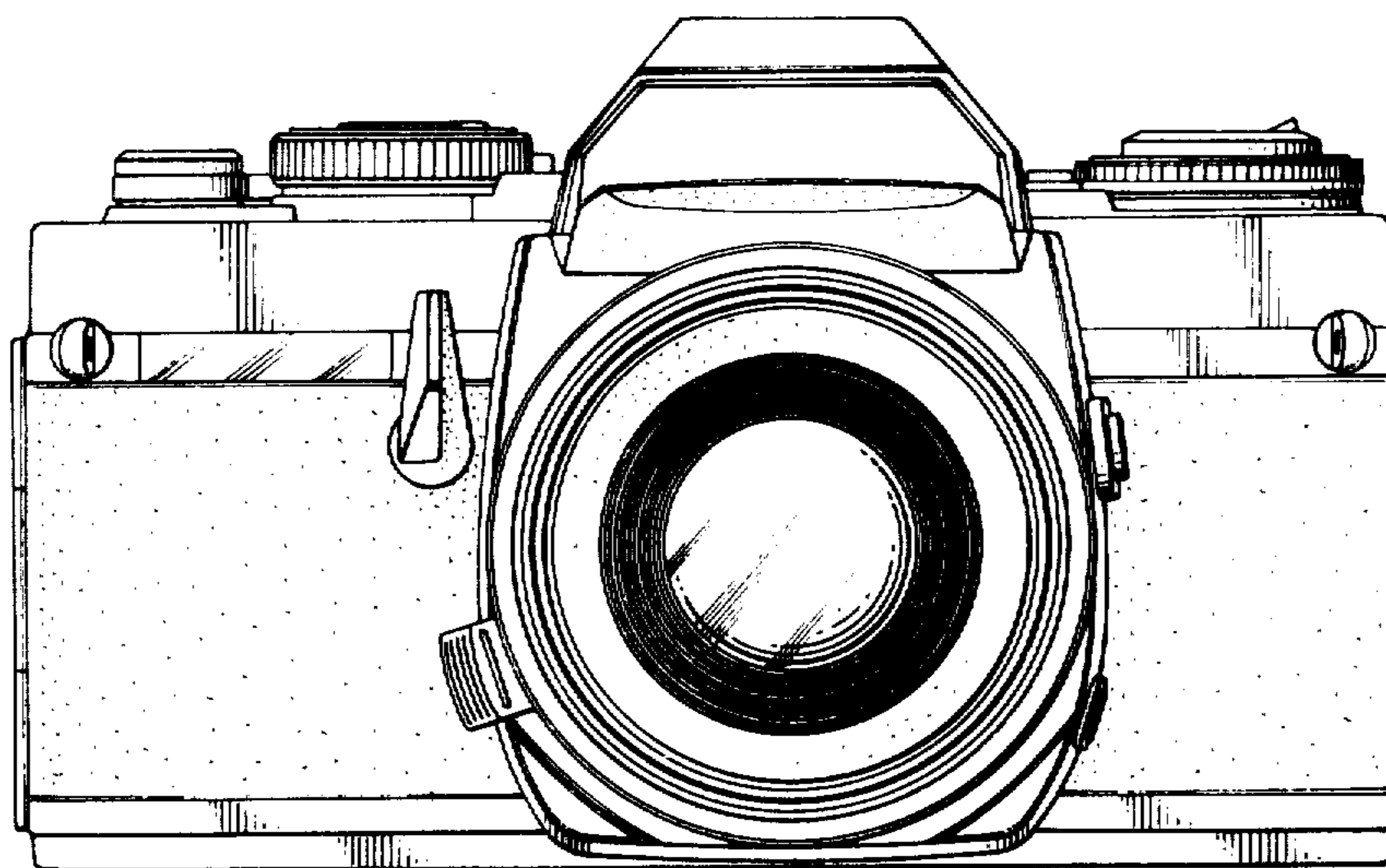


FIG. 3

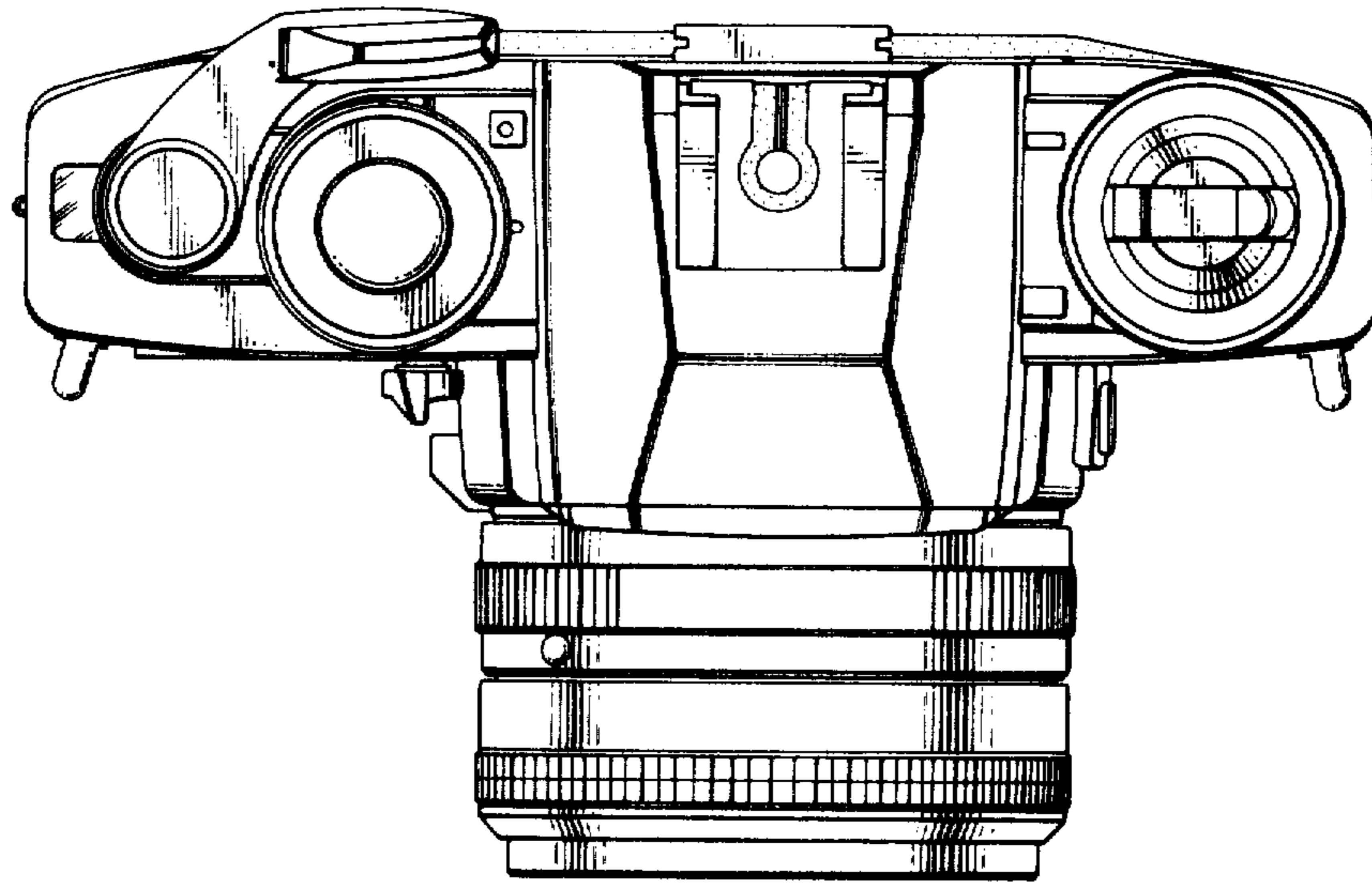


FIG. 4

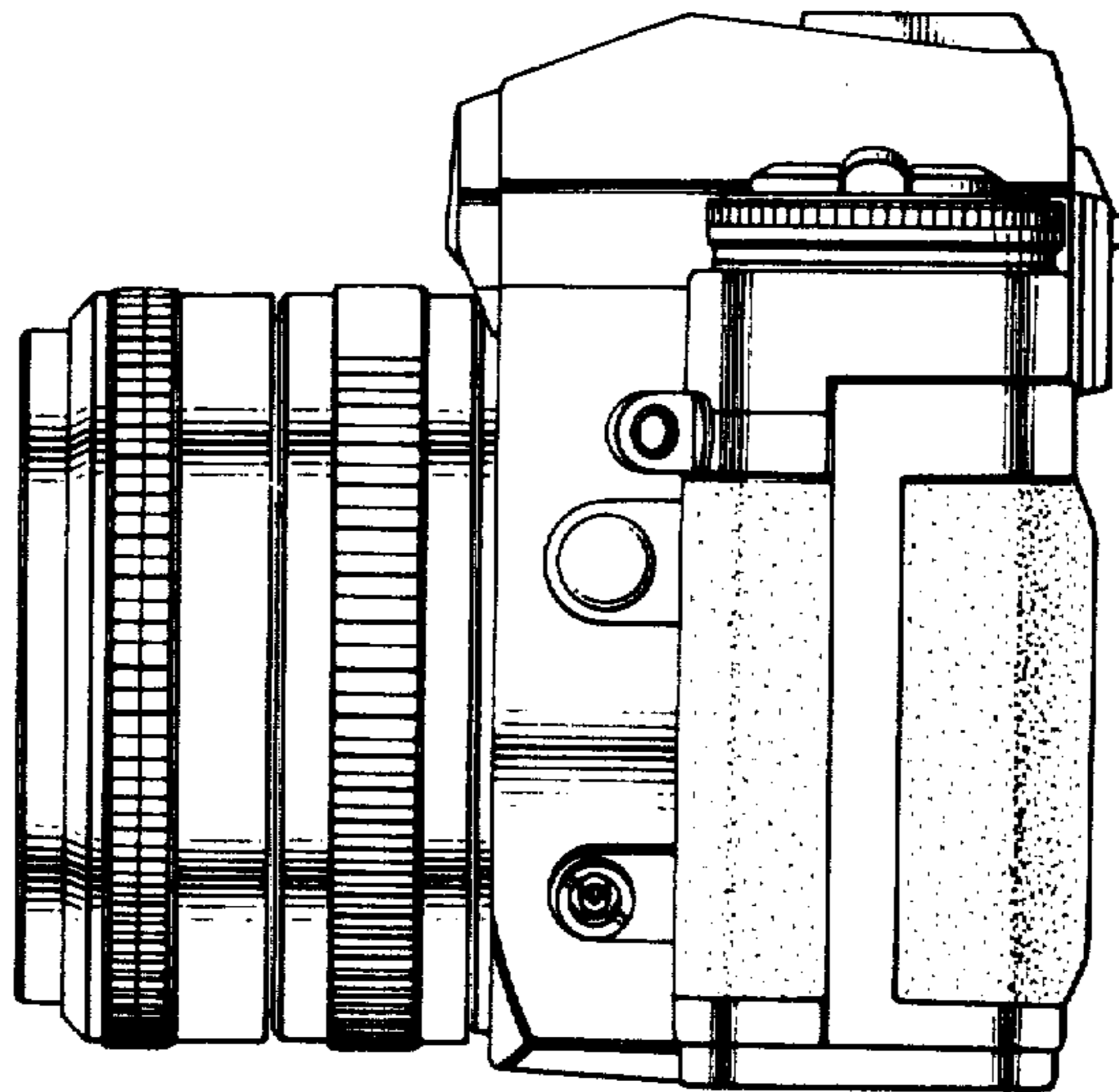


FIG. 5

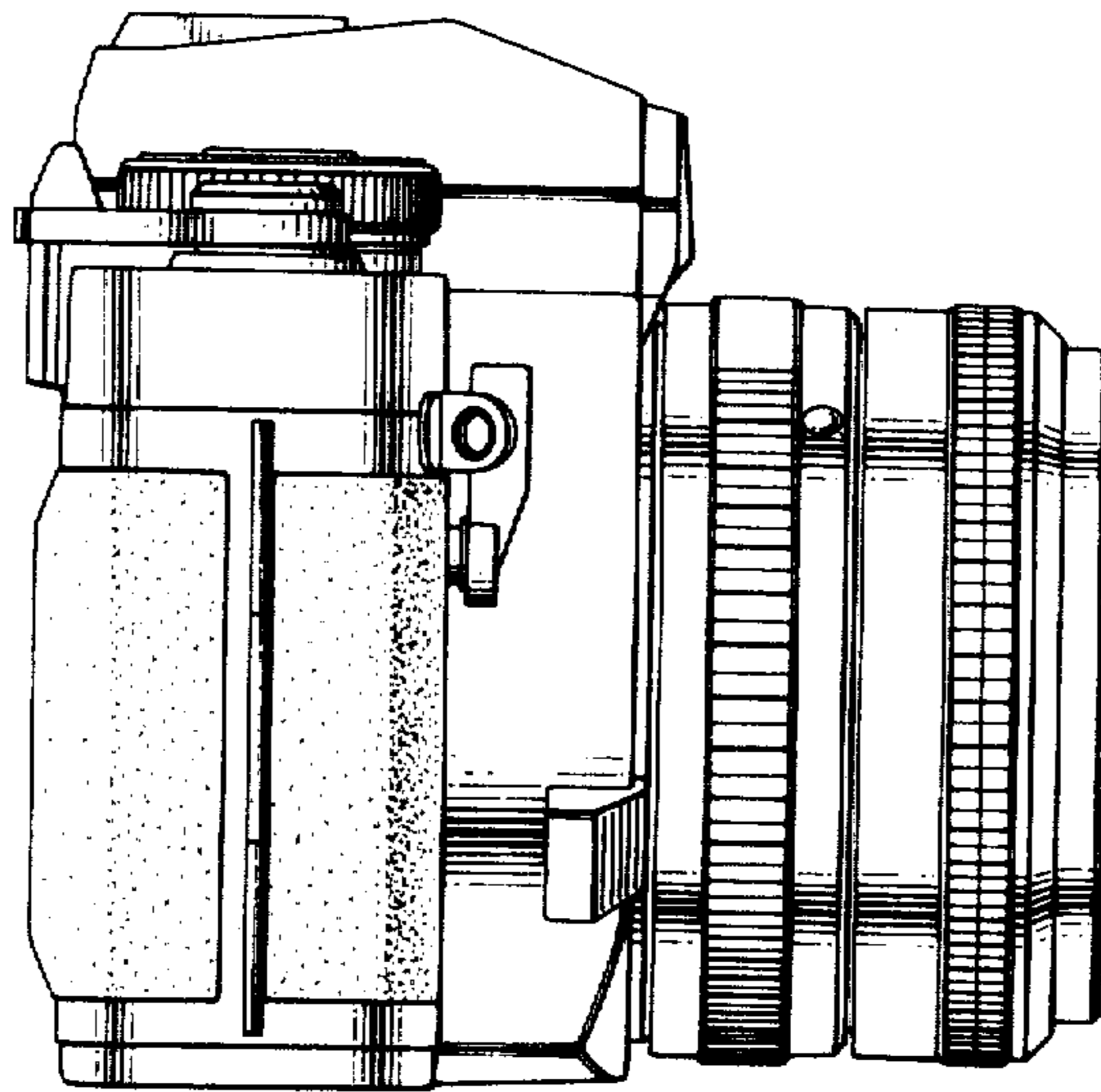


FIG. 6

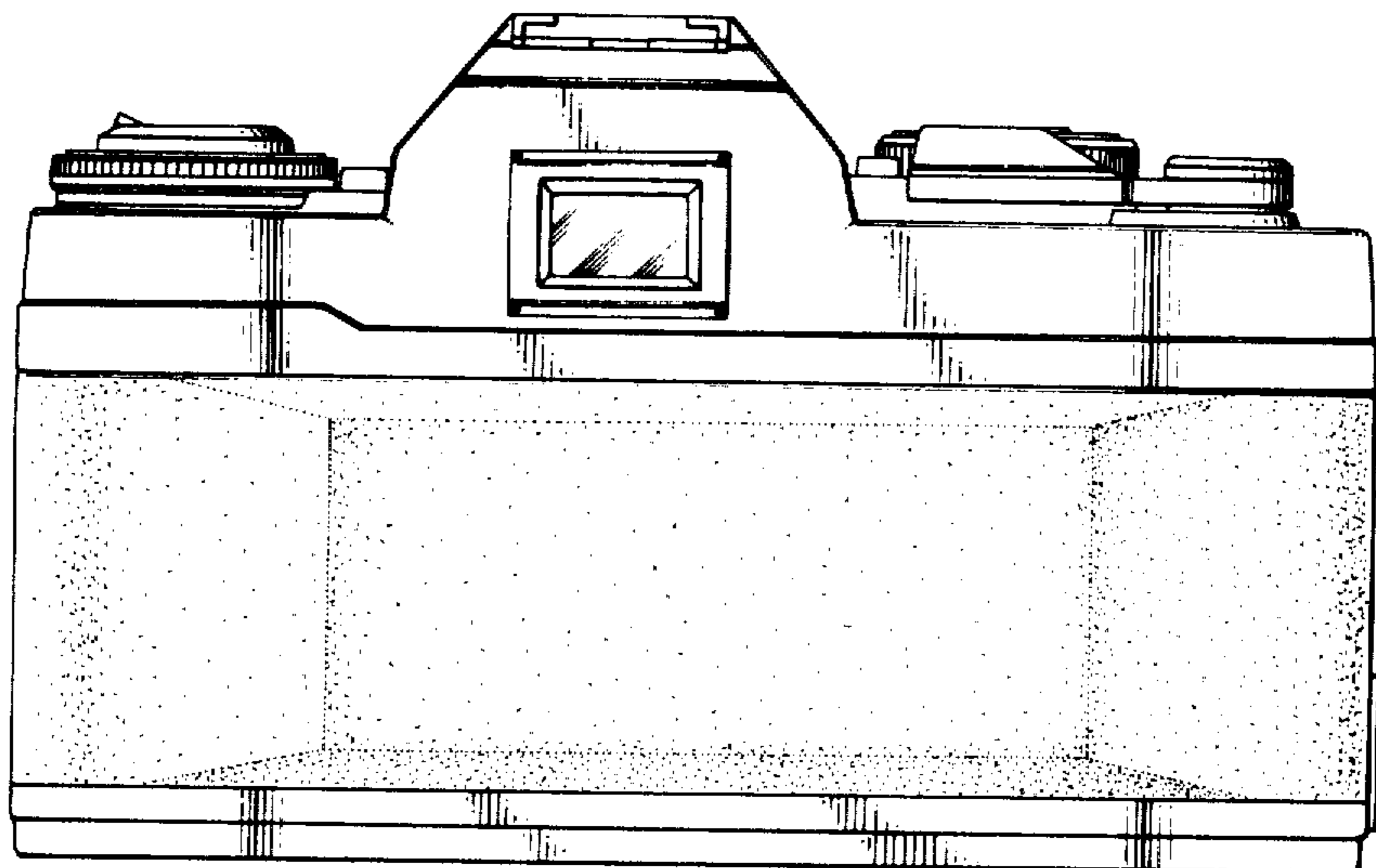


FIG. 7

