

[54] **FOUR-WHEEL DRIVE TRANSFER CASE
SHAFT EXTENDER**

[75] Inventor: **George F. Miller, Franklin, Tenn.**

[73] Assignee: **Doug Nash Equipment &
Engineering, Inc., Franklin, Tenn.**

[**] Term: **14 Years**

[21] Appl. No.: **80,422**

[22] Filed: **Oct. 1, 1979**

[51] Int. Cl. **D15-99**

[52] U.S. Cl. **D15/148; 180/249**

[58] Field of Search **D15/148, 149; 301/126,
301/131, 132, 135; 180/247-250; 403/1**

[56] **References Cited**

U.S. PATENT DOCUMENTS

D. 201,522	6/1965	Schwartz et al.	D15/148
4,080,003	3/1978	Boughton	301/132
4,127,306	11/1978	Foster	301/132

Primary Examiner—**B. J. Bullock**
Attorney, Agent, or Firm—**Luedeka & Fitch**

[57] **CLAIM**

The ornamental design for a four-wheel drive transfer case shaft extender, as shown and described.

DESCRIPTION

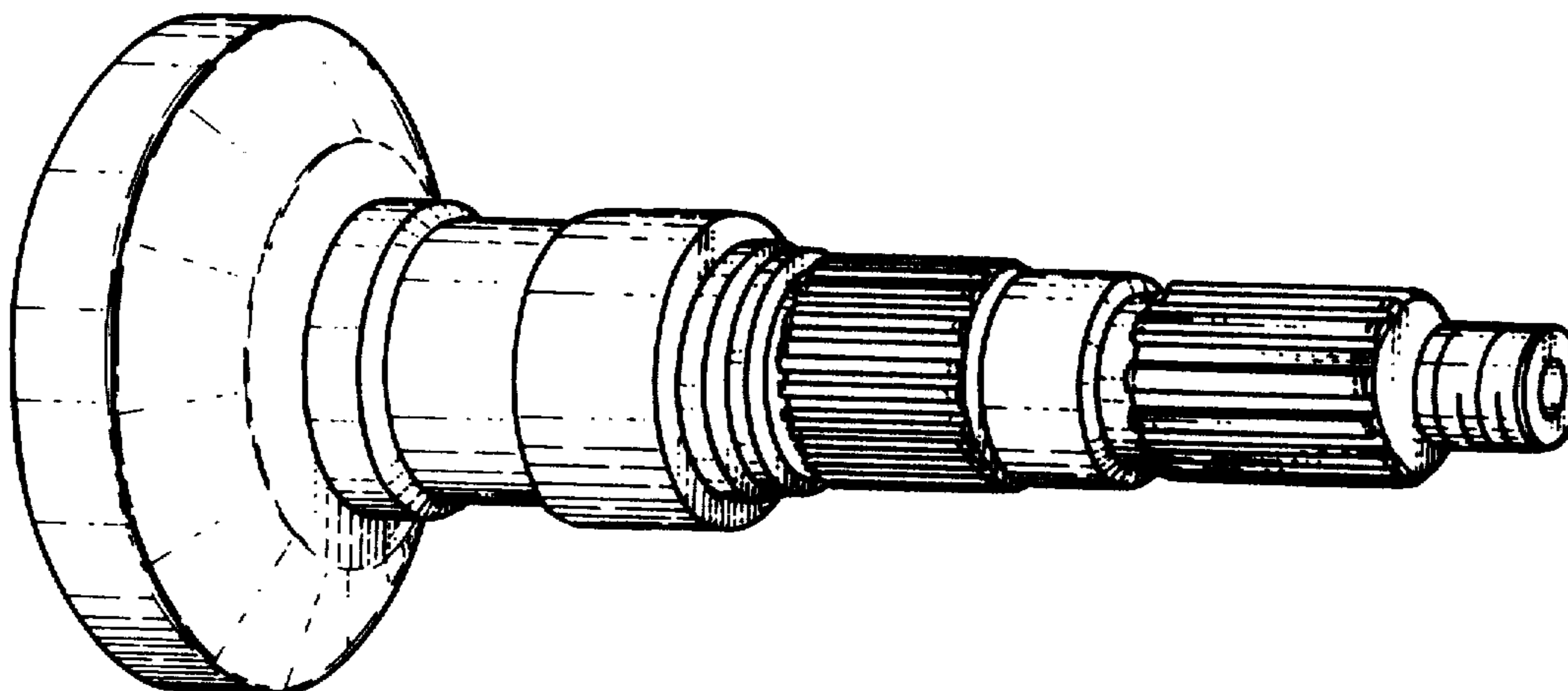
FIG. 1 is a rearward perspective view of a four-wheel drive transfer case shaft extender showing my new design;

FIG. 2 is a forward perspective view thereof;

FIG. 3 is a side elevational view thereof;

FIG. 4 is a rear elevational view thereof;

FIG. 5 is a front elevational view thereof.



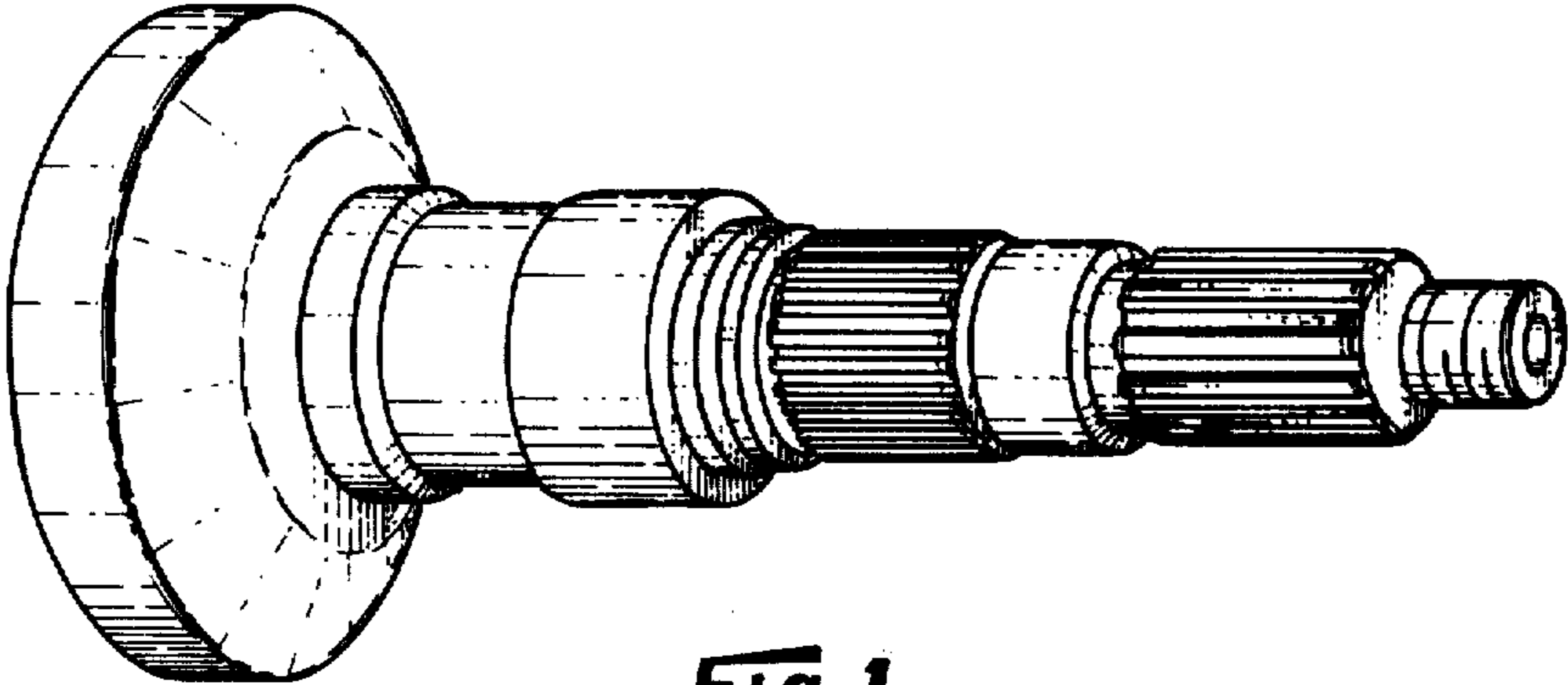


Fig. 1

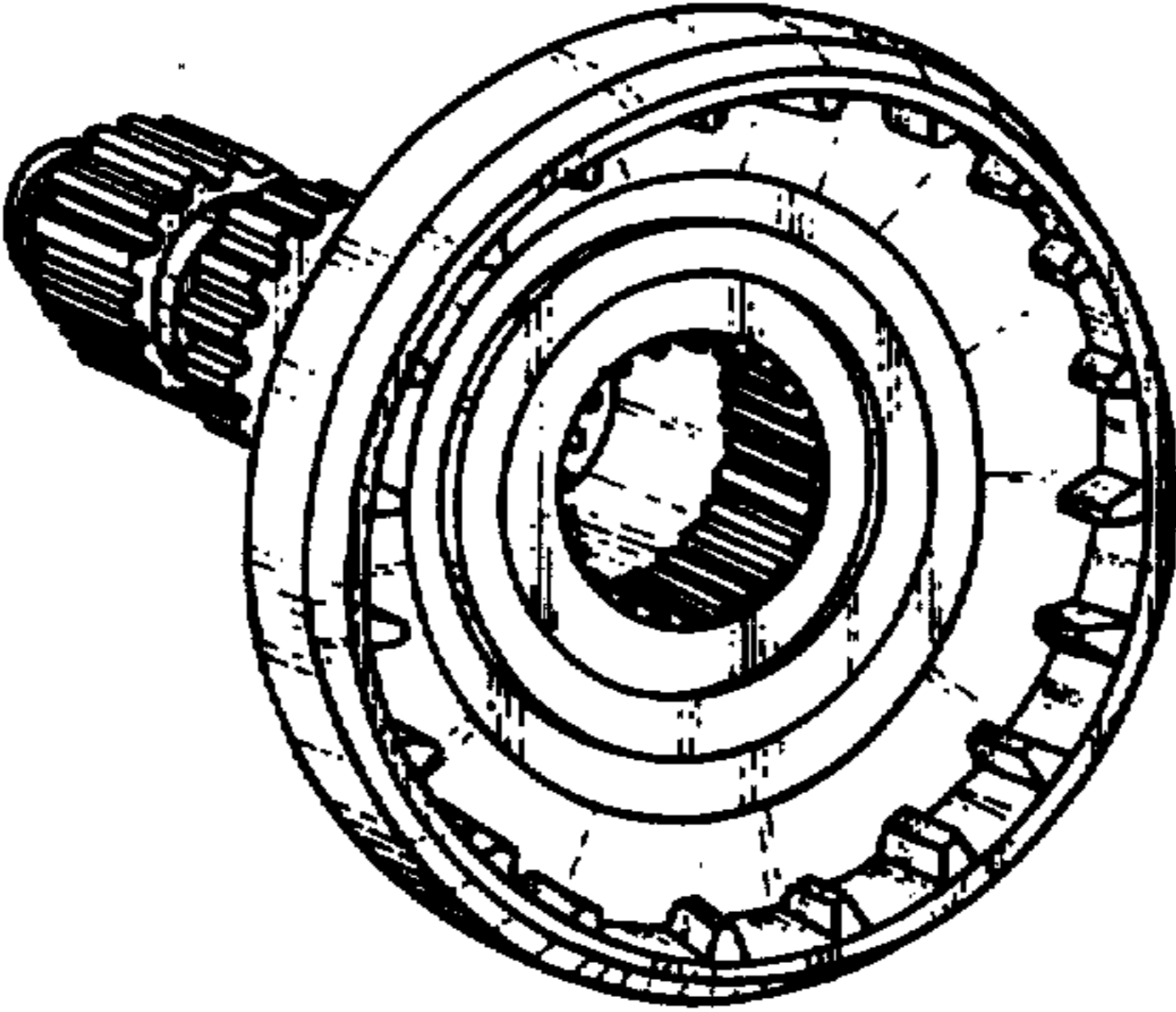


Fig. 2

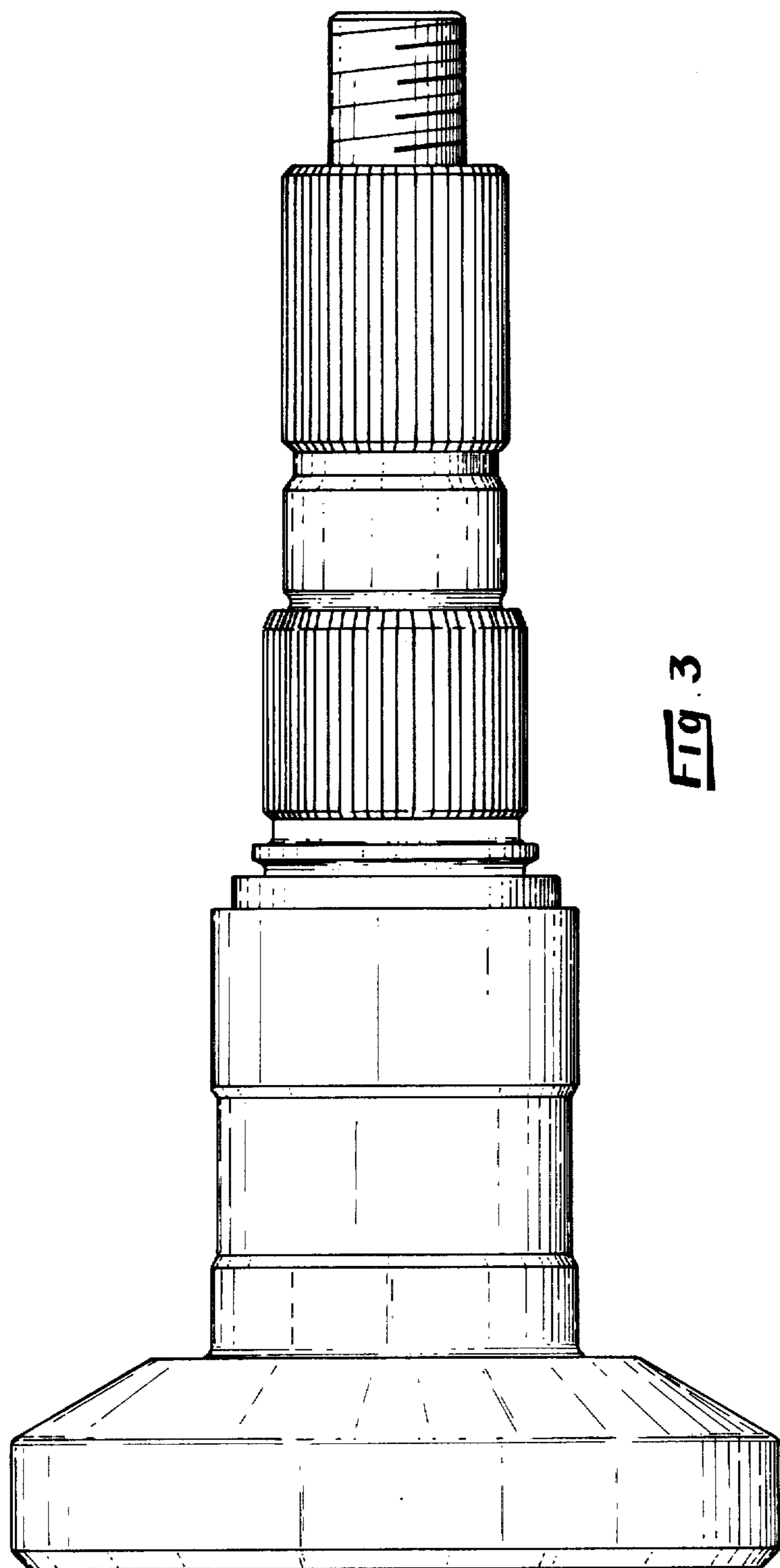


FIG. 3

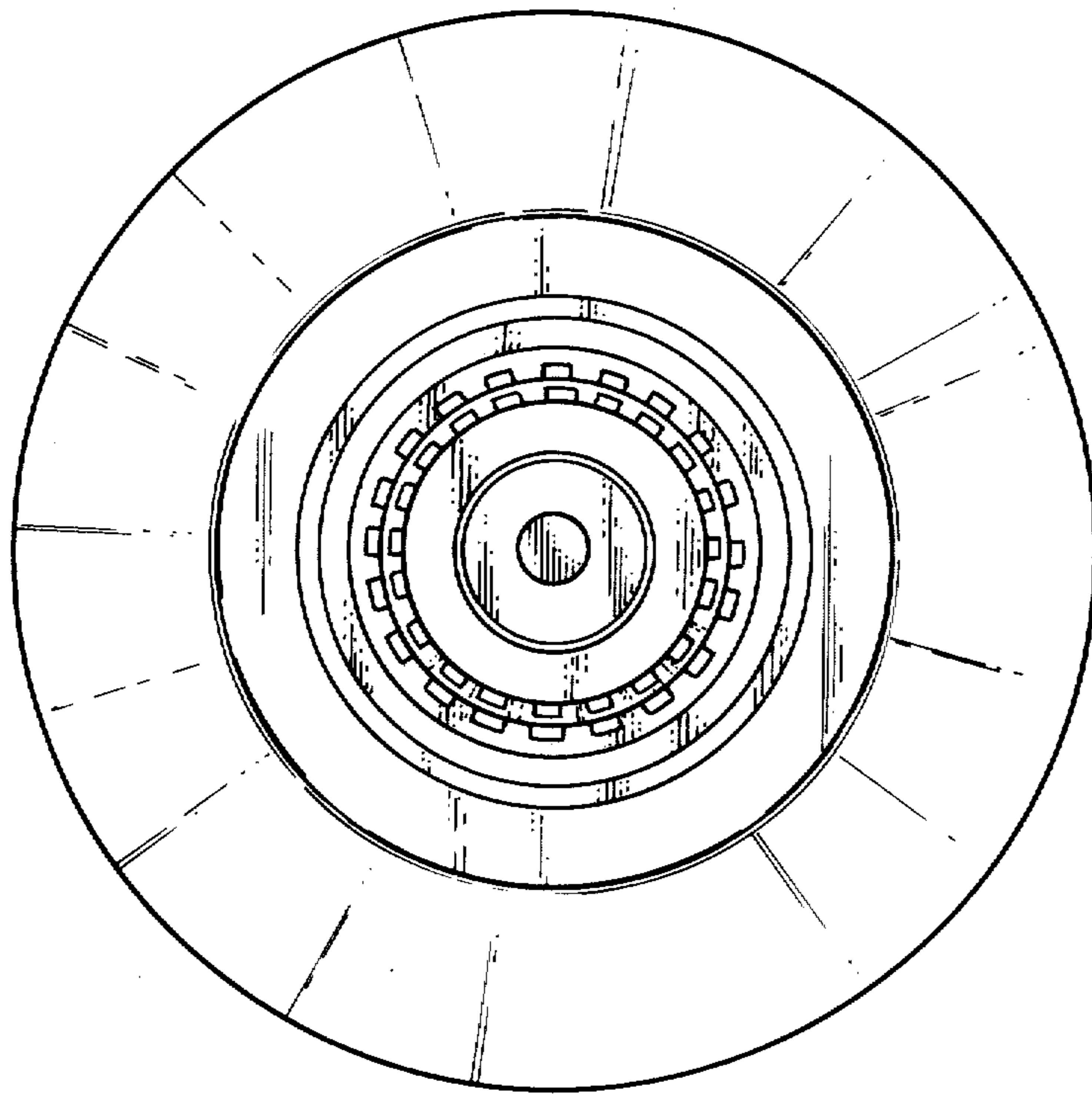


Fig. 4

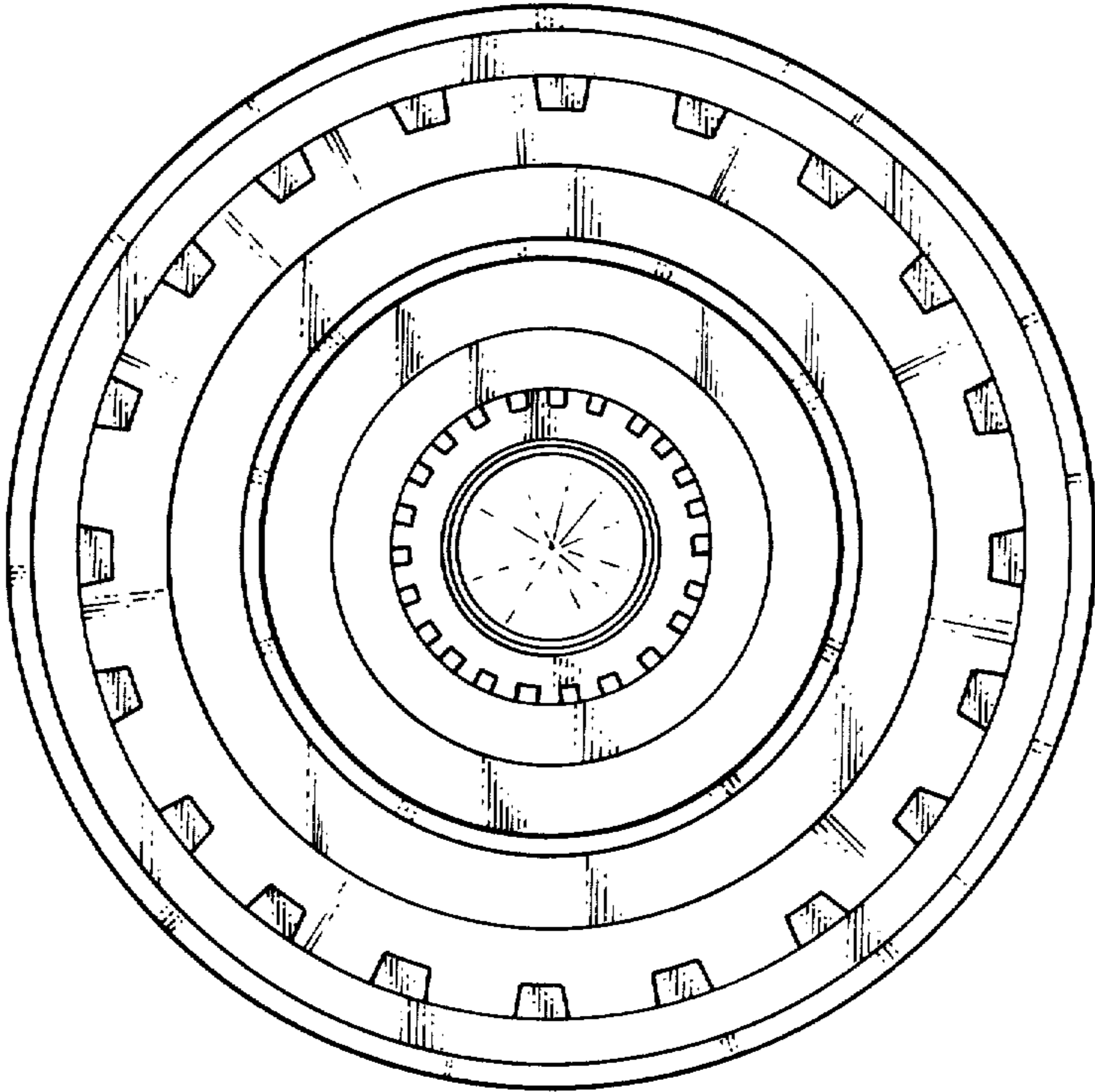


Fig. 5