

[54] PAINT MIXER FOR MIXING CYLINDRICAL CANS OF PAINT

[56]

References Cited

U.S. PATENT DOCUMENTS

D. 165,920	2/1952	Holt	D15/147
D. 182,238	3/1958	Kruger	D15/147
2,006,451	7/1935	Glidden	366/213
4,277,185	7/1981	Thompson	366/213

[76] Inventor: J. Ray Collins, 806 N. Plum, Hutchinson, Kans. 67501

[**] Term: 14 Years

Primary Examiner—Peter M. Caun
Attorney, Agent, or Firm—Edwin H. Crabtree

[21] Appl. No.: 113,088

[57] CLAIM

The ornamental design for a paint mixer for mixing cylindrical cans of paint, as shown and described.

[22] Filed: Jan. 17, 1980

DESCRIPTION

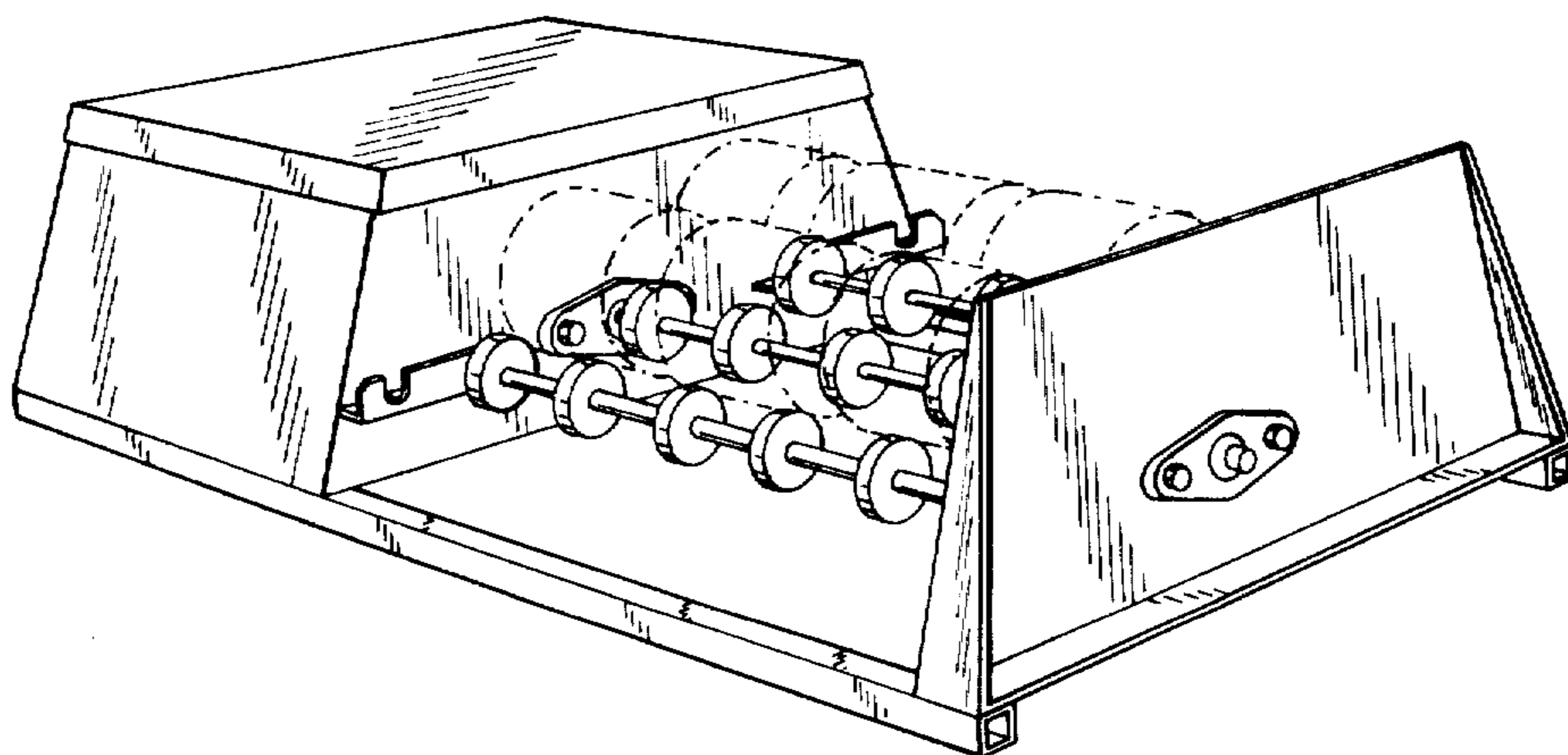
[51] Int. Cl. D15—09

[52] U.S. Cl. D15/147

[58] Field of Search D15/147; 366/220, 213, 366/235, 605

FIG. 1 is a top perspective view of the paint mixer for mixing cylindrical cans of paint; and

FIG. 2 is a bottom perspective view of the paint mixer for mixing cylindrical cans of paint.



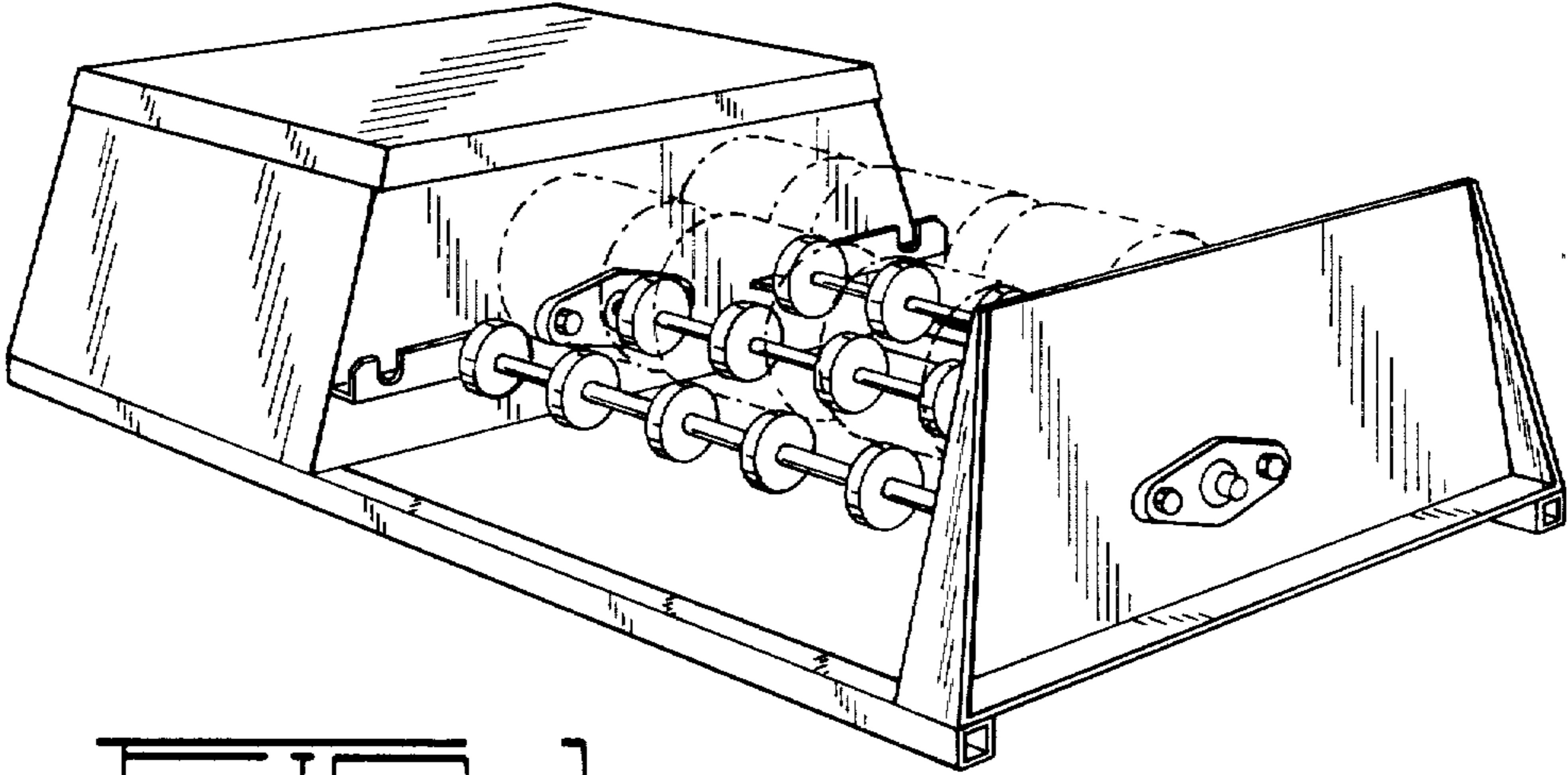


FIG. 1

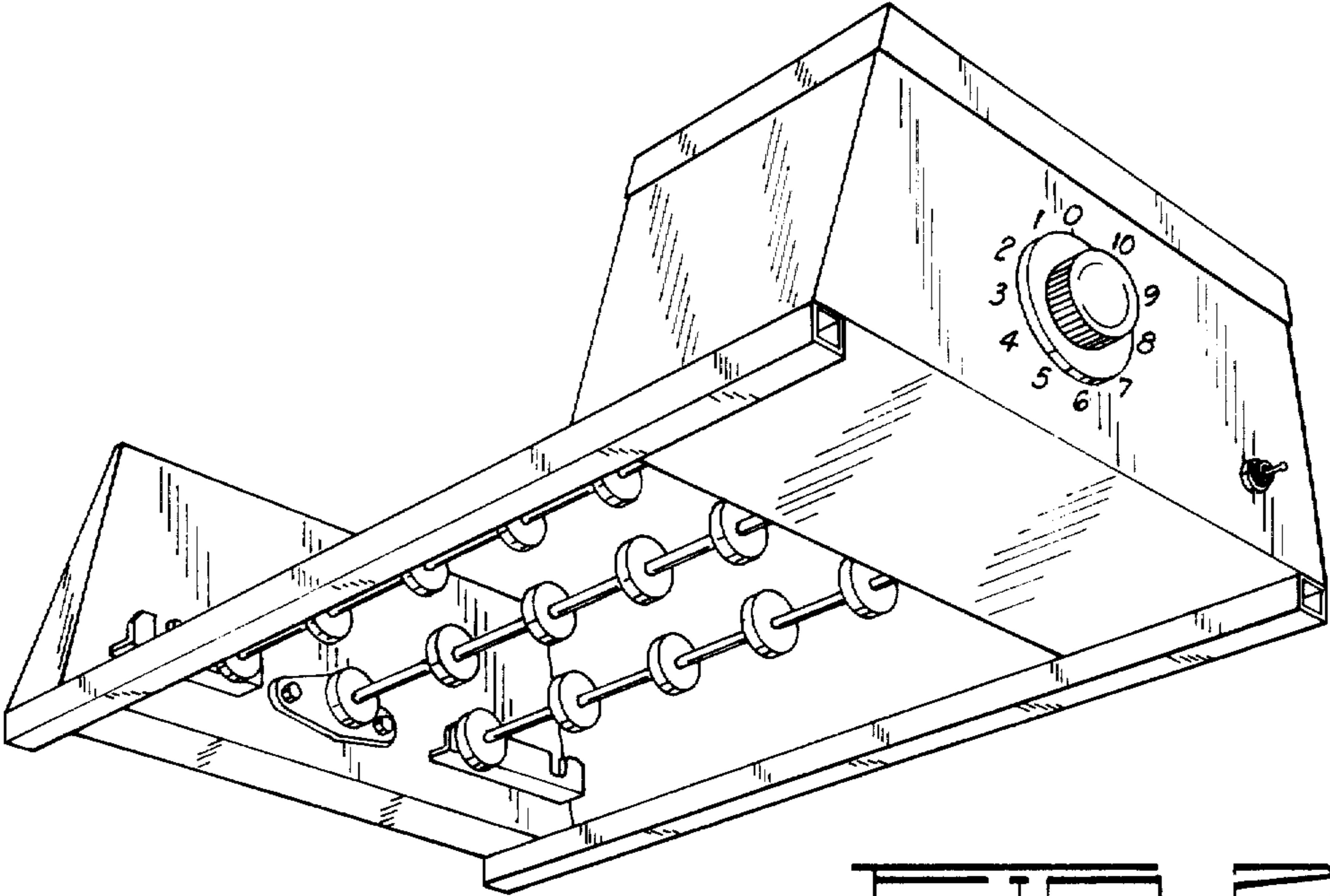


FIG. 2