

[54] VACUUM PUMP

[75] Inventors: **Teruo Terajima**, Suzaka; **Kiyoshi Tagawa**, Nagano; **Ikuo Takeuchi**, Suzaka, all of Japan

[73] Assignee: **Orion Machinery Co., Ltd.**, Nagano, Japan

[**] Term: **14 Years**

[21] Appl. No.: **93,992**

[22] Filed: **Nov. 14, 1979**

[30] **Foreign Application Priority Data**

May 16, 1979 [JP] Japan 54-20009

[51] Int. Cl. **D15-02**

[52] U.S. Cl. **D15/7**

[58] Field of Search **D15/7-9;**
417/362

[56] **References Cited**

U.S. PATENT DOCUMENTS

D. 183,501	9/1958	Stenger et al.	D15/9
D. 186,961	12/1959	Eidson	D15/7
D. 192,060	1/1962	Thomas	D15/7
D. 221,404	8/1971	Hussey	D15/7
2,256,654	9/1941	Spurgeon et al.	417/234

Primary Examiner—James R. Largen
Attorney, Agent, or Firm—Toren, McGeady & Stanger

[57] **CLAIM**

The ornamental design for a vacuum pump, as shown.

DESCRIPTION

FIG. 1 is a front elevational view of a vacuum pump embodying our new design;
FIG. 2 is a rear elevational view thereof;
FIG. 3 is a right side elevational view thereof;
FIG. 4 is a left side elevational view thereof;
FIG. 5 is a top plan view thereof;
FIG. 6 is a bottom plan view thereof; and
FIG. 7 is a perspective view taken from the top, front and left side thereof.

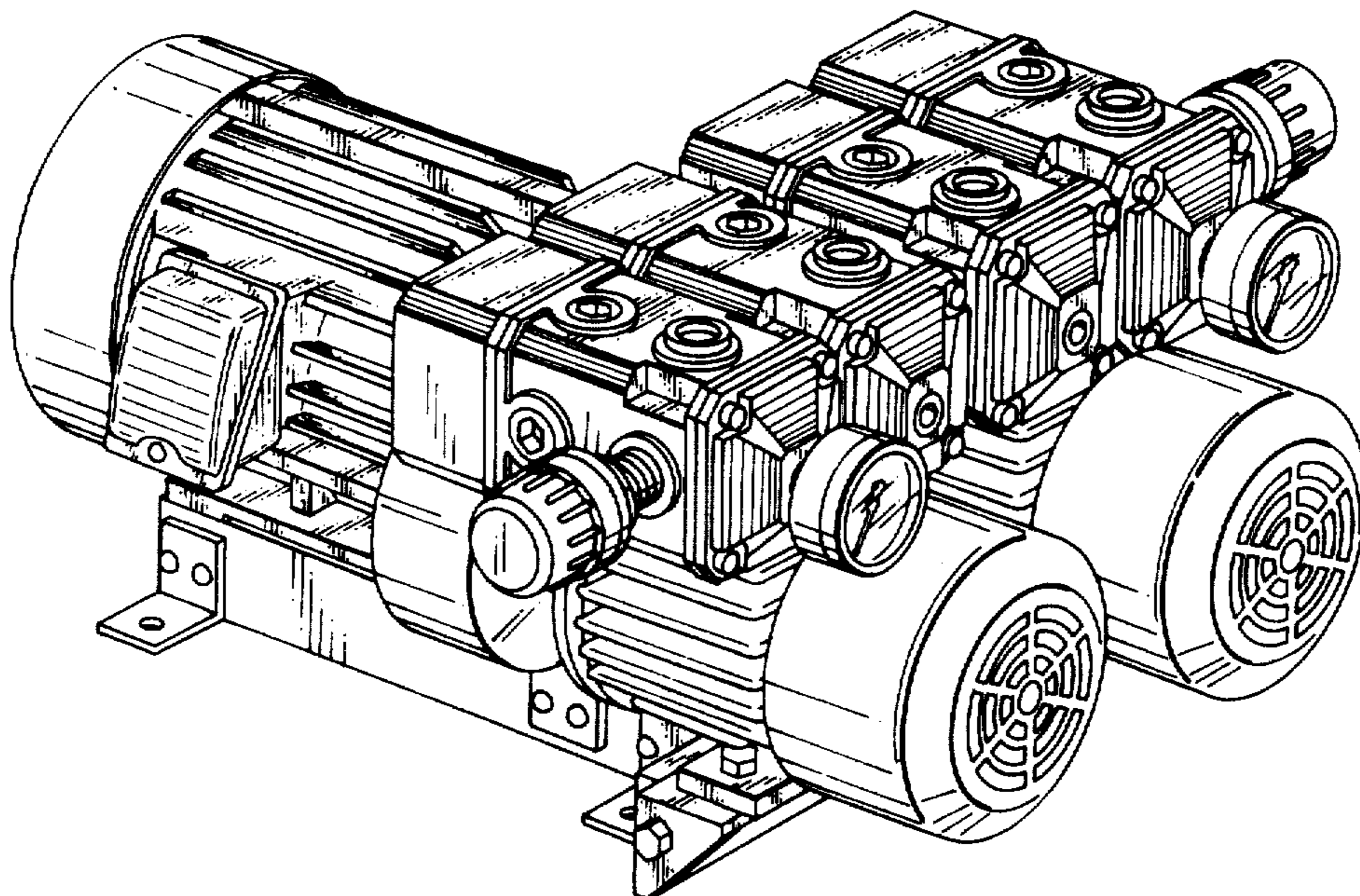


FIG. 1

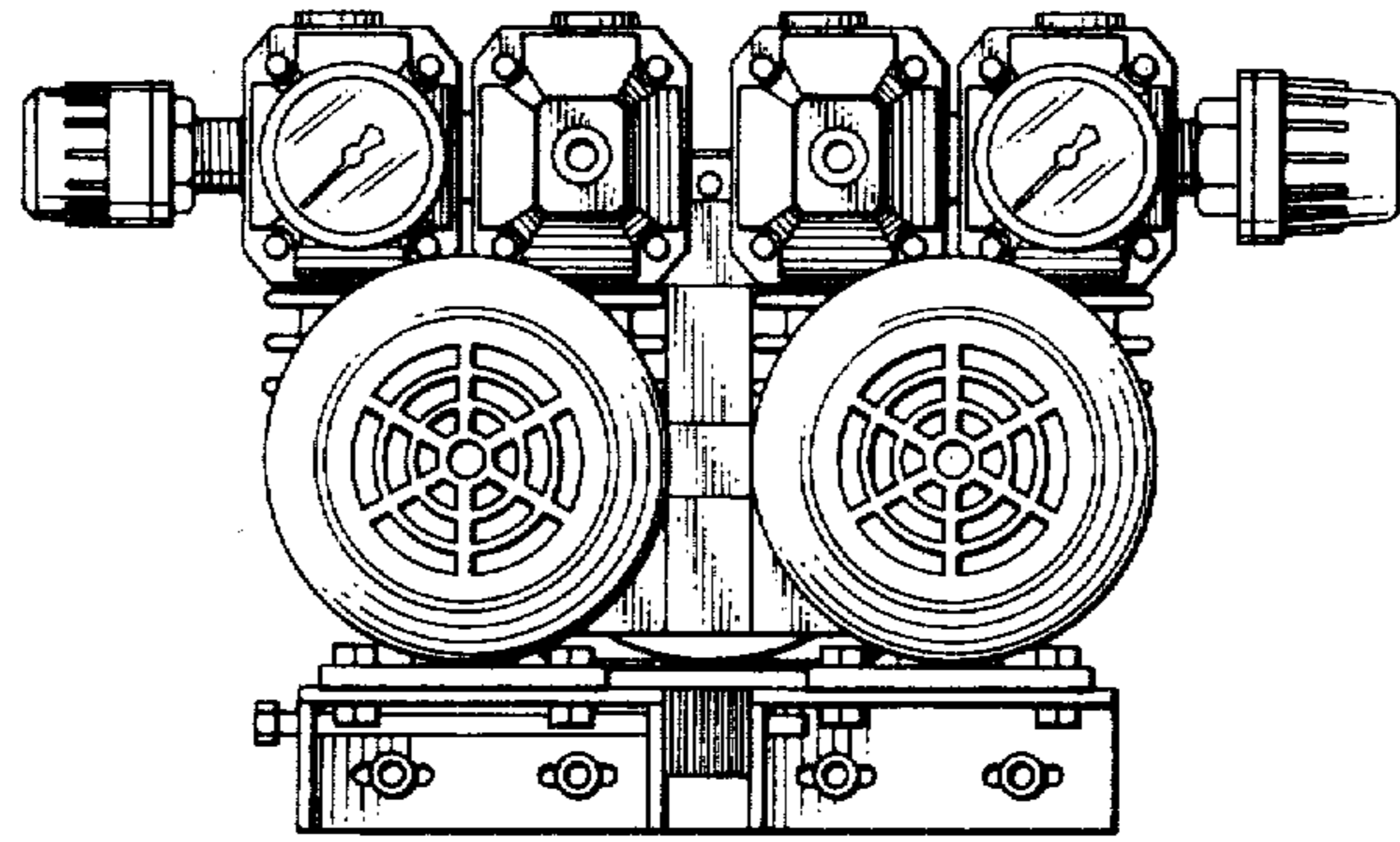


FIG. 2

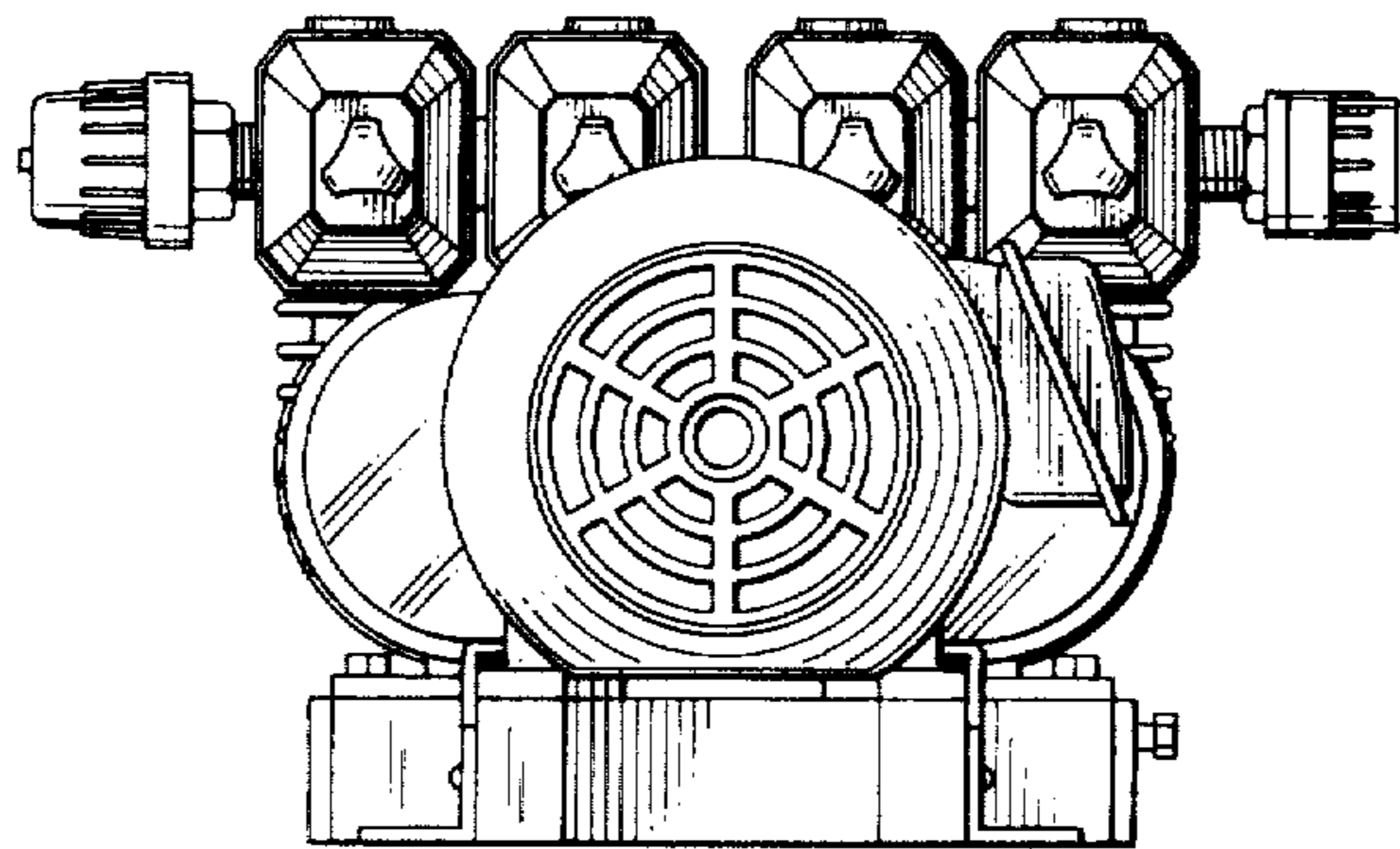


FIG. 3

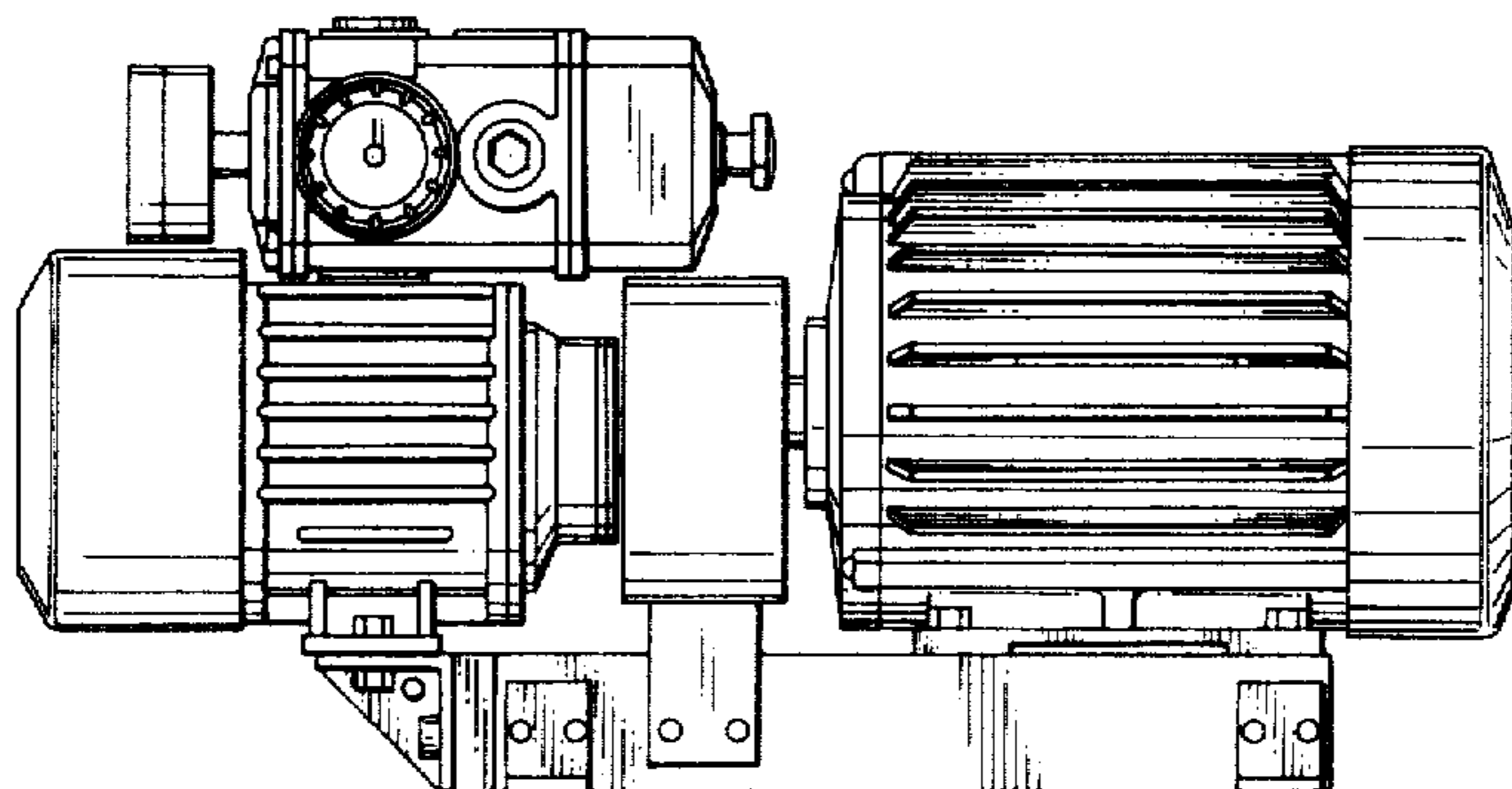


FIG. 4

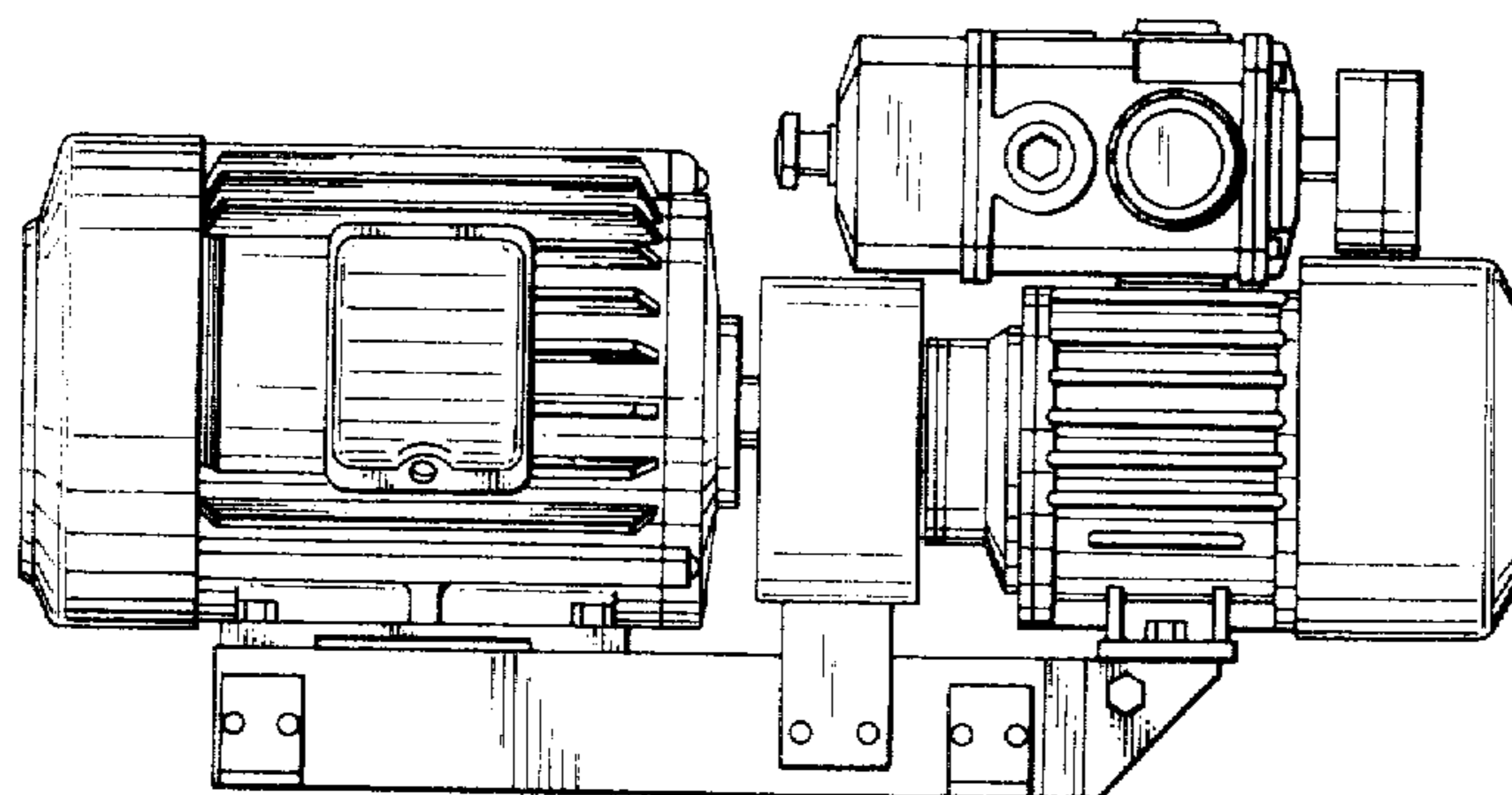


FIG. 5

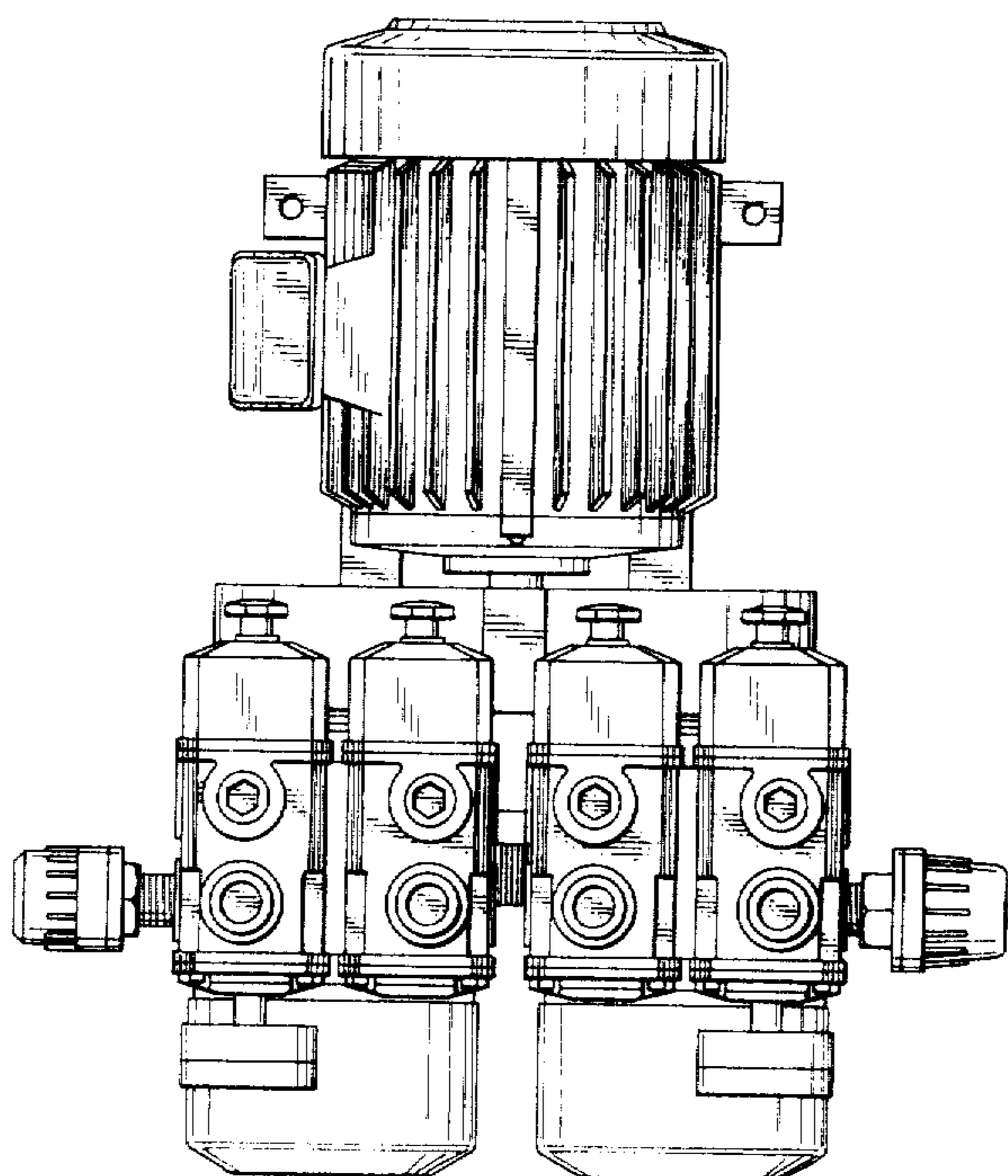


FIG. 6

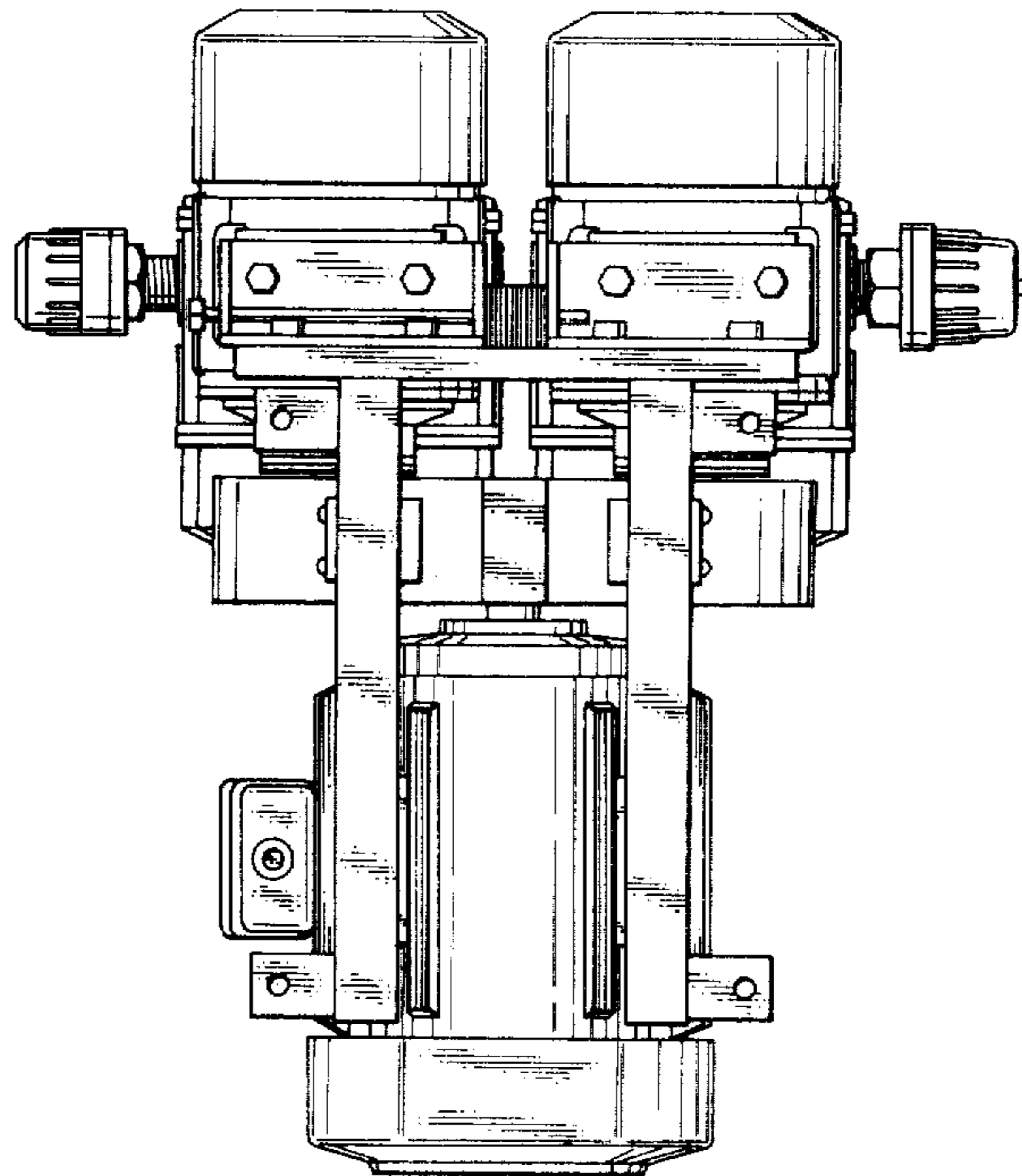


FIG. 7

