

[54] STEERING COLUMN MOUNTED CONTROL SWITCH

[75] Inventors: Robert H. Proctor, Grand Prairie; Harris F. Payne; Franklin W. Powell, both of Arlington, all of Tex.

[73] Assignee: The Texstar Corporation, Grand Prairie, Tex.

[**] Term: 14 Years

[21] Appl. No.: 117,267

[22] Filed: Jan. 31, 1980

[51] Int. Cl. D13-99

[52] U.S. Cl. D13/32; D12/155; 200/61.54; 200/61.55

[58] Field of Search D12/155; D13/32; 200/61.54, 61.55

[56] References Cited

U.S. PATENT DOCUMENTS

4,074,550	2/1978	Rowlings	200/61.54
4,122,318	10/1978	Tashiro et al.	200/61.54
4,129,757	12/1978	Cryer	200/61.54

FOREIGN PATENT DOCUMENTS

1005743 9/1965 United Kingdom 200/61.54

Primary Examiner—Veronica O’Keefe
Attorney, Agent, or Firm—Cox & Smith Incorporated

[57] CLAIM

The ornamental design for steering column mounted control switch, as shown.

DESCRIPTION

FIG. 1 is a top view of a steering column mounted control switch viewed downwardly from the top of FIG. 7.

FIG. 2 is a front view thereof viewed from the front right of FIG. 7.

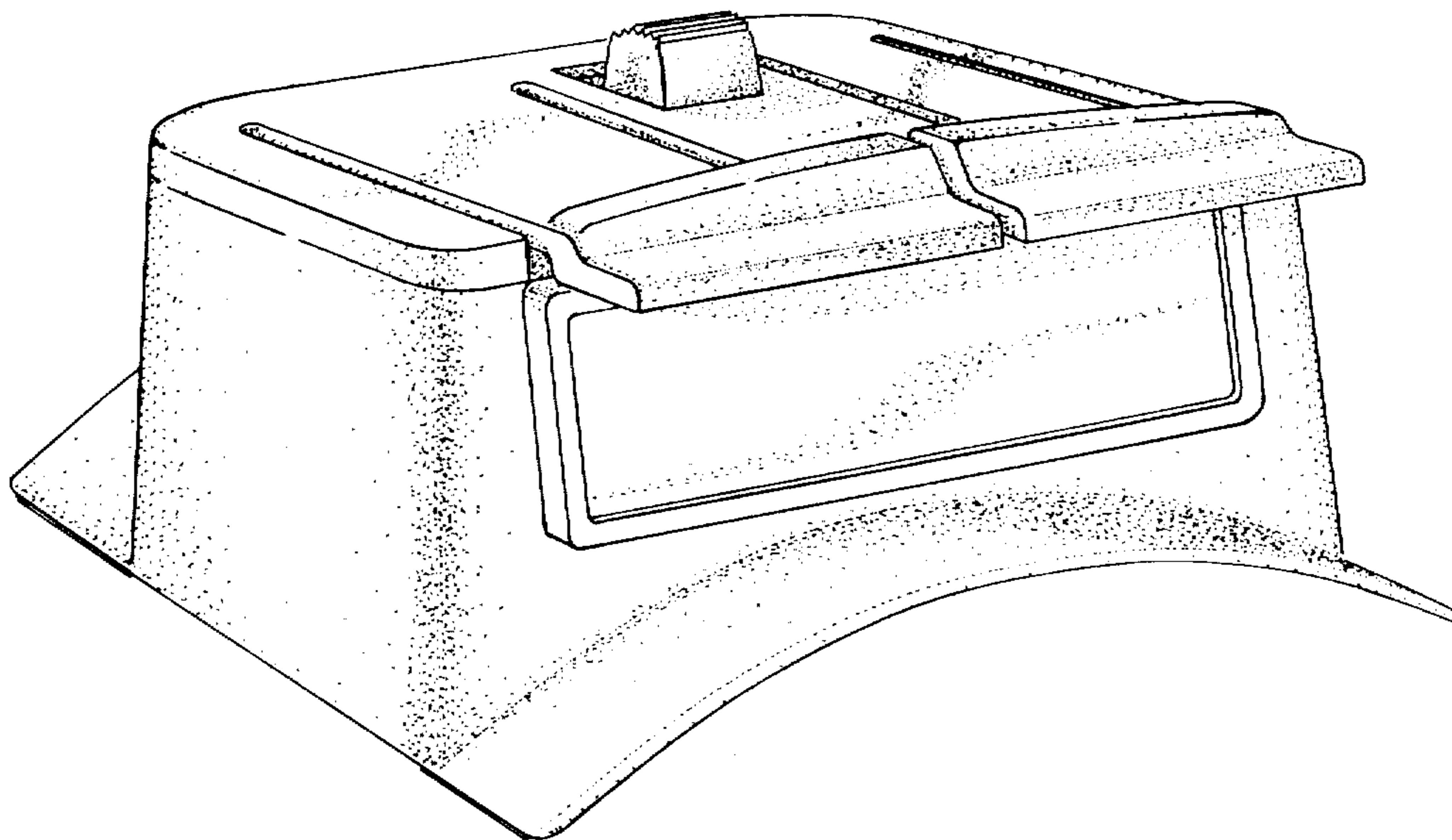
FIG. 3 is a rear view thereof viewed from the top left of FIG. 7.

FIG. 4 is a bottom view thereof viewed upwardly from the bottom of FIG. 7.

FIG. 5 is a left side view thereof viewed from the lower left of FIG. 7.

FIG. 6 is a right side view thereof viewed from the upper right of FIG. 7.

FIG. 7 is a perspective view thereof.



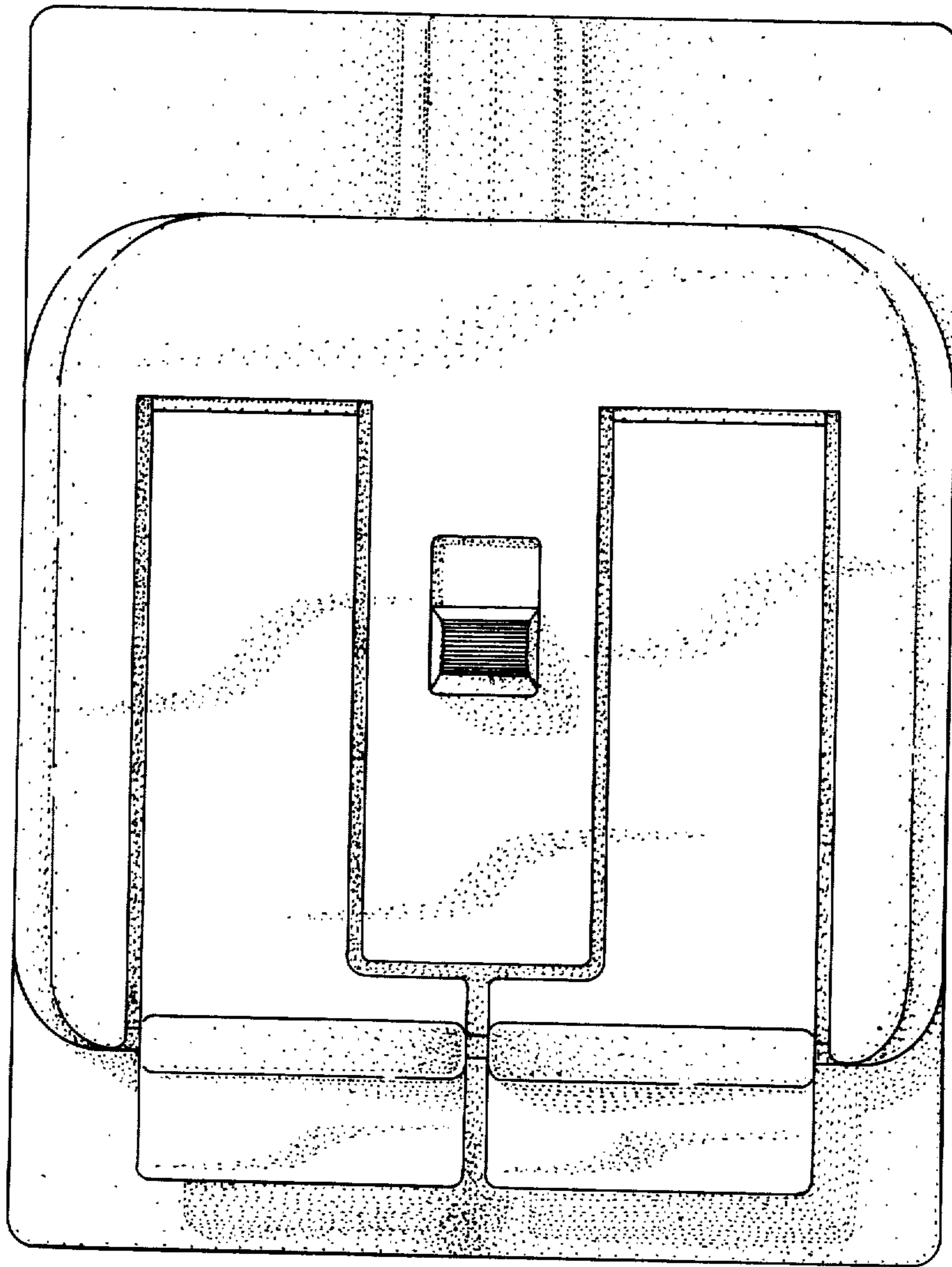


FIG. 1

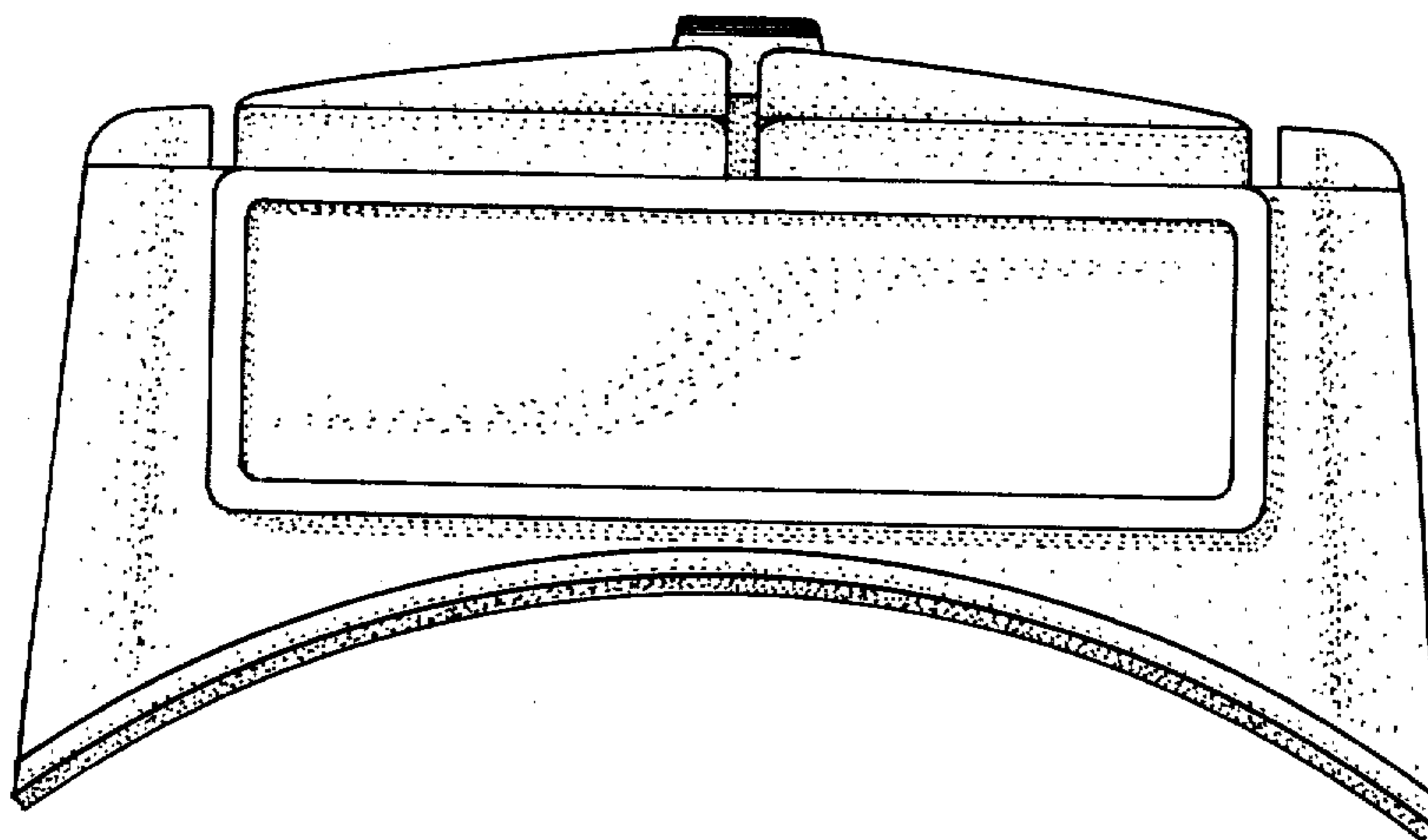


FIG. 2

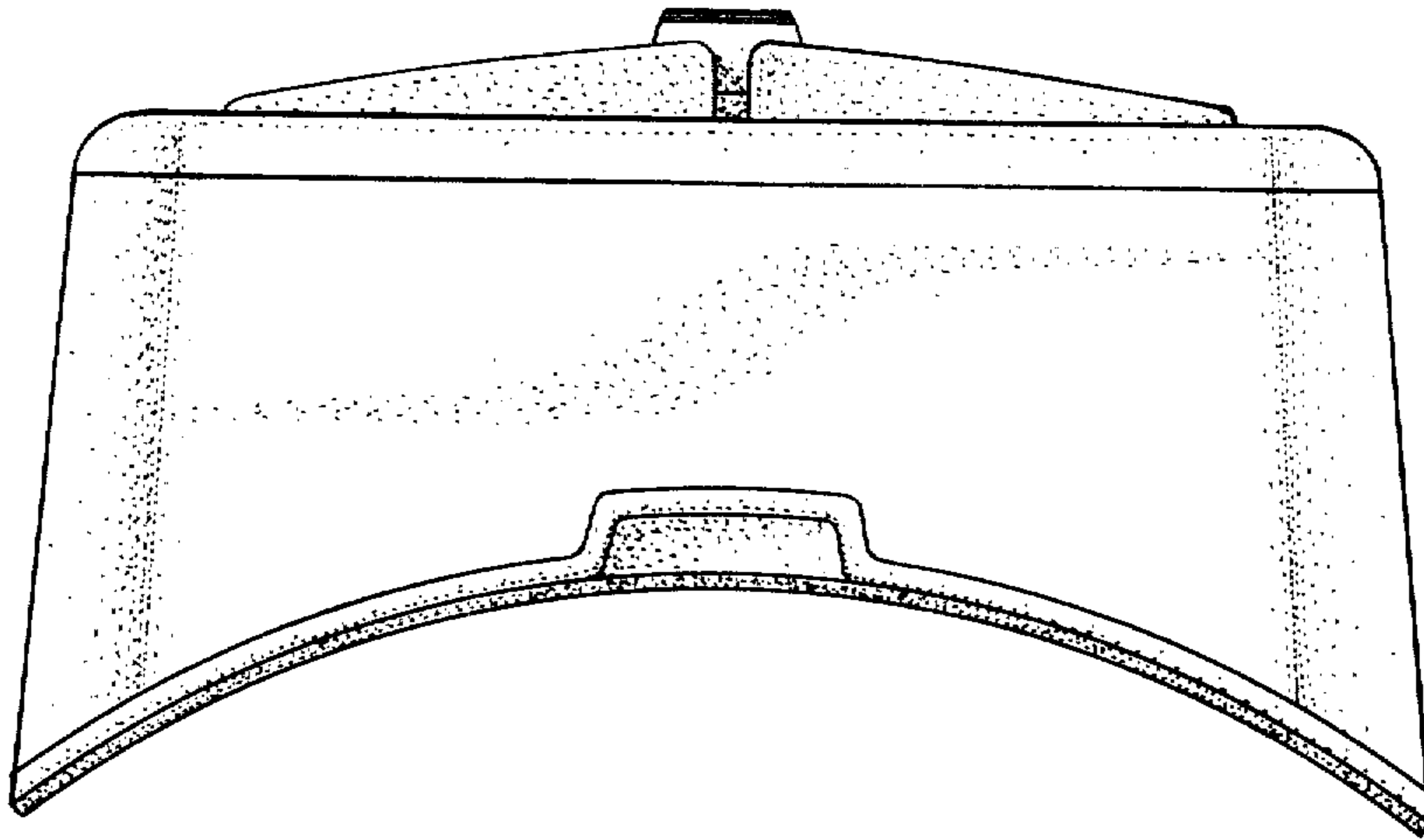


FIG. 3

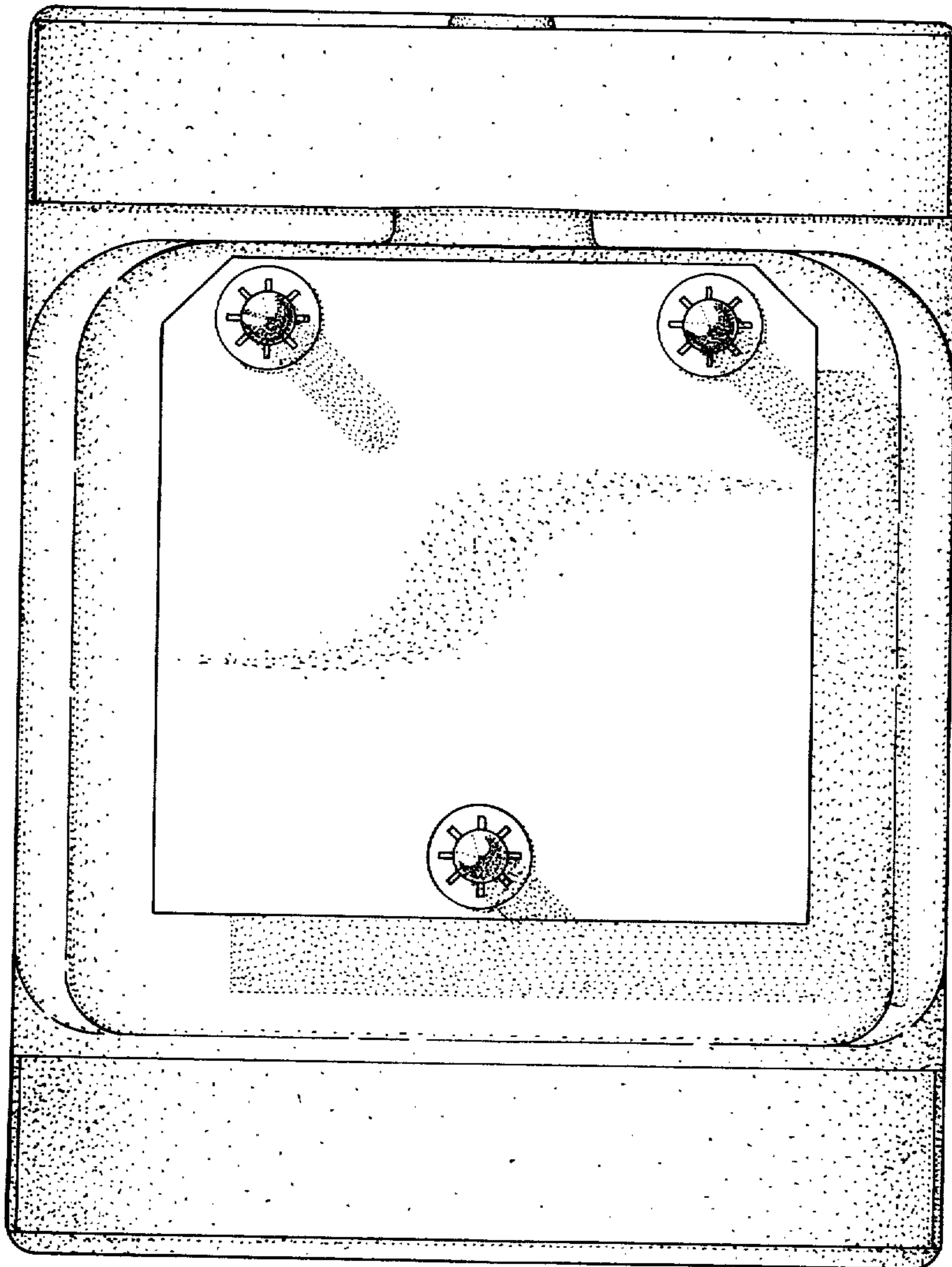


FIG. 4

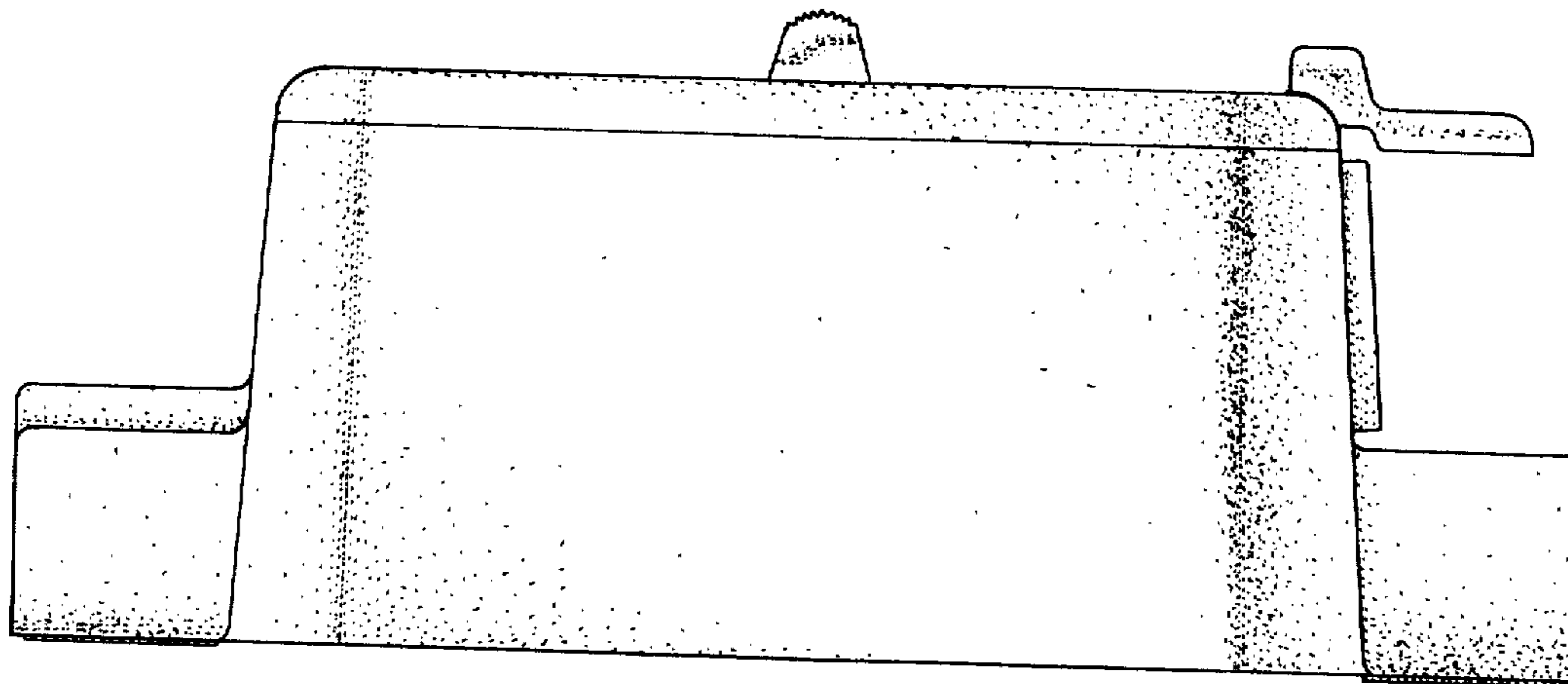


FIG. 5

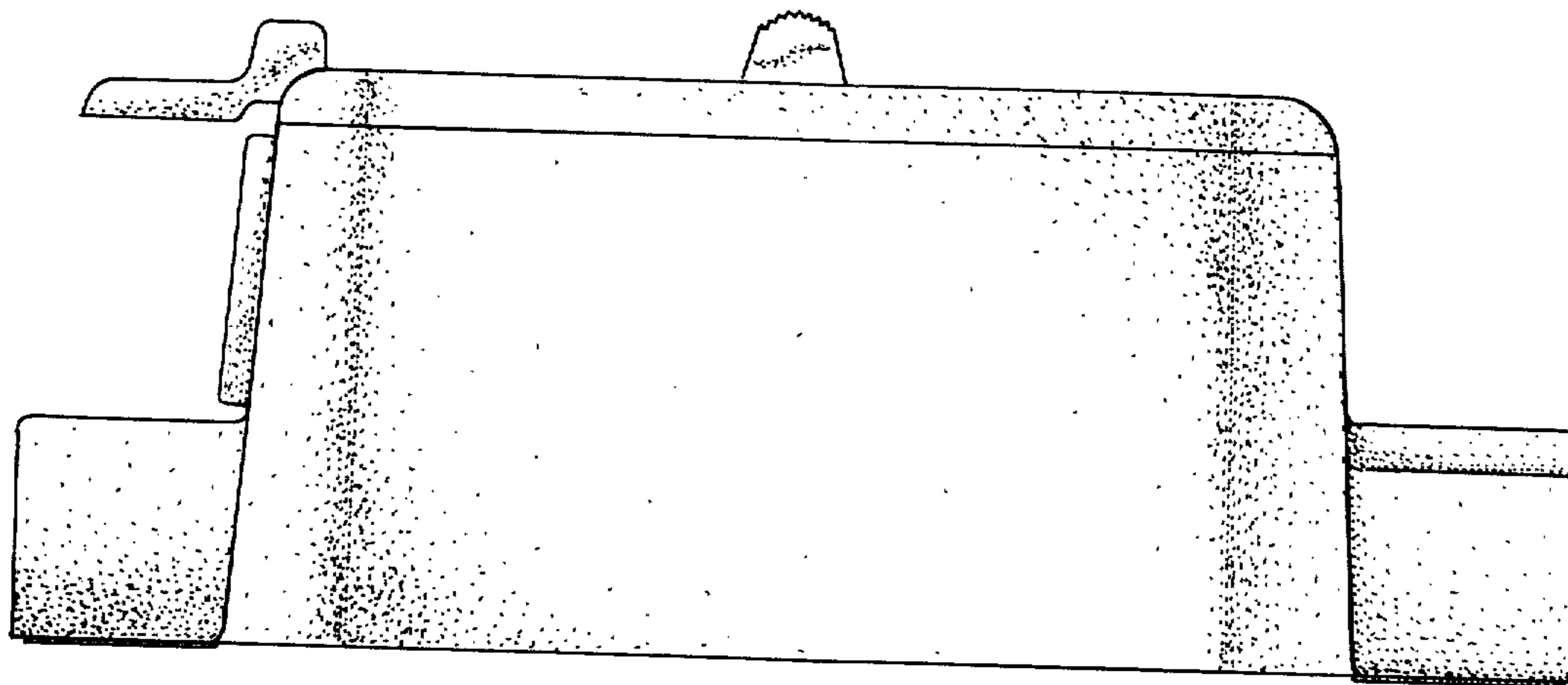


FIG. 6

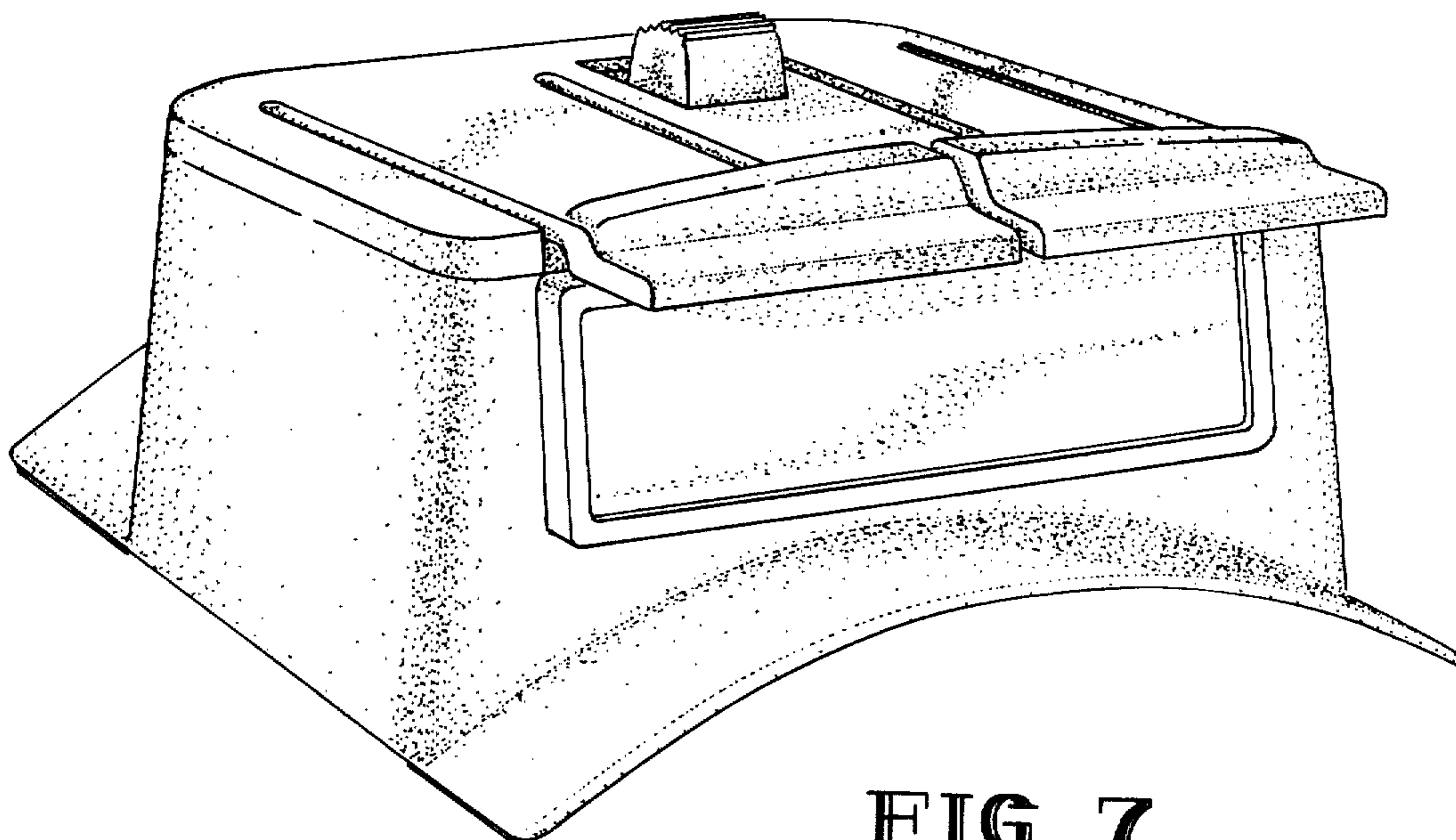


FIG. 7