

[54] AUXILIARY BAR FOR ATTACHMENT TO A BICYCLE HANDLE BAR

586,678 7/1897 Walsh ..... 74/551.8  
944,932 12/1909 Abraham ..... 74/551.8  
1,448,921 3/1923 Ershkowitz ..... D12/178

[76] Inventor: Paul M. Janson, 8756 Darby Ave., Northridge, Calif. 91325

Primary Examiner—James M. Gandy  
Attorney, Agent, or Firm—Jack C. Munro

[\*\*] Term: 14 Years

[57] CLAIM

[21] Appl. No.: 49,946

The ornamental design for an auxiliary bar for attachment to a bicycle handle bar, as shown and described.

[22] Filed: Jun. 18, 1979

DESCRIPTION

[51] Int. Cl. .... D12-11

FIG. 1 is an isometric view of an auxiliary bar for attachment to a bicycle handle bar showing my new design, it being understood that the broken lines are for illustrative purposes only;

[52] U.S. Cl. .... D12/178

FIG. 2 is a left side elevational view thereof;

[58] Field of Search ..... D12/178; 74/551.8

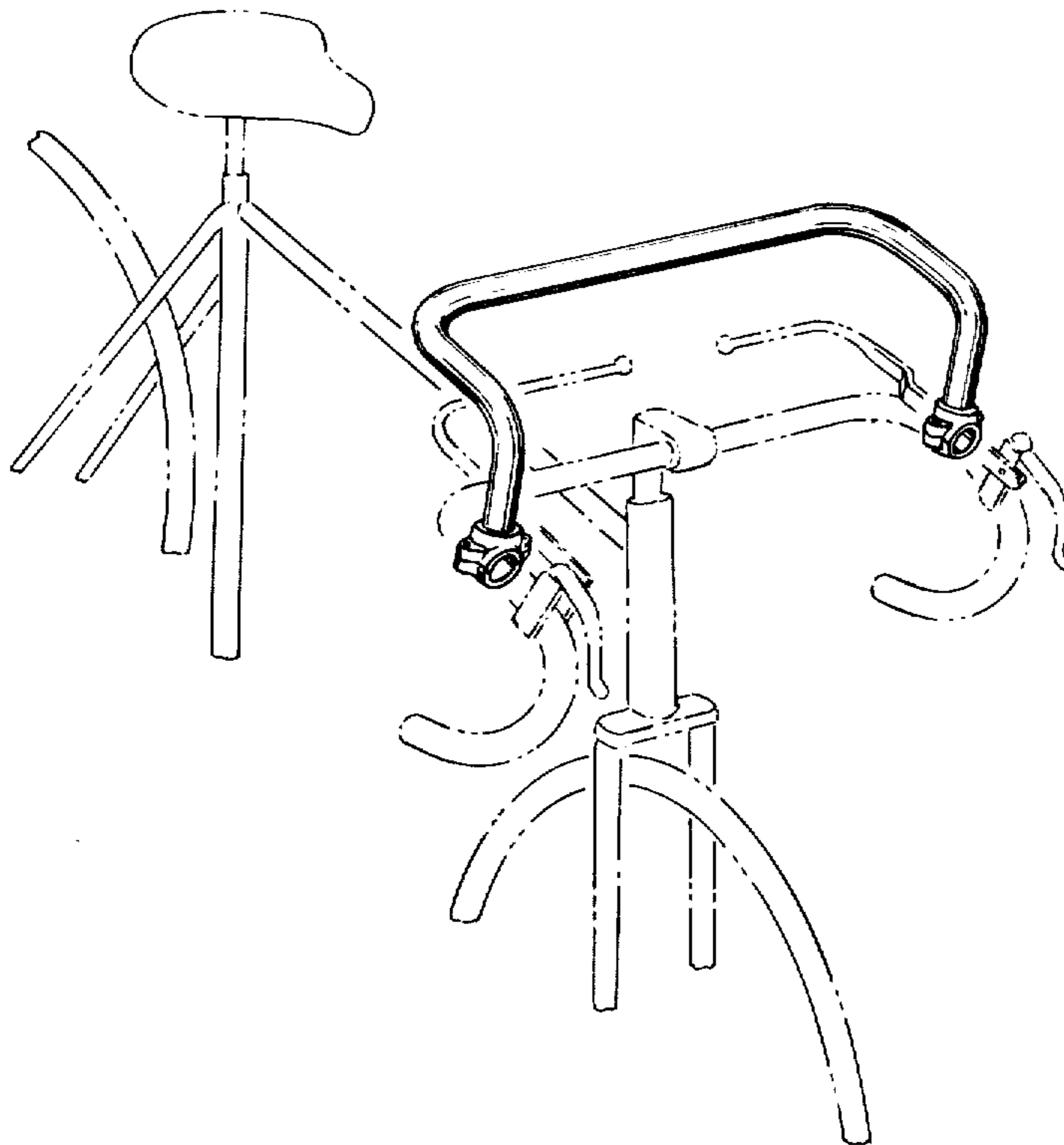
FIG. 3 is a top plan view thereof; and

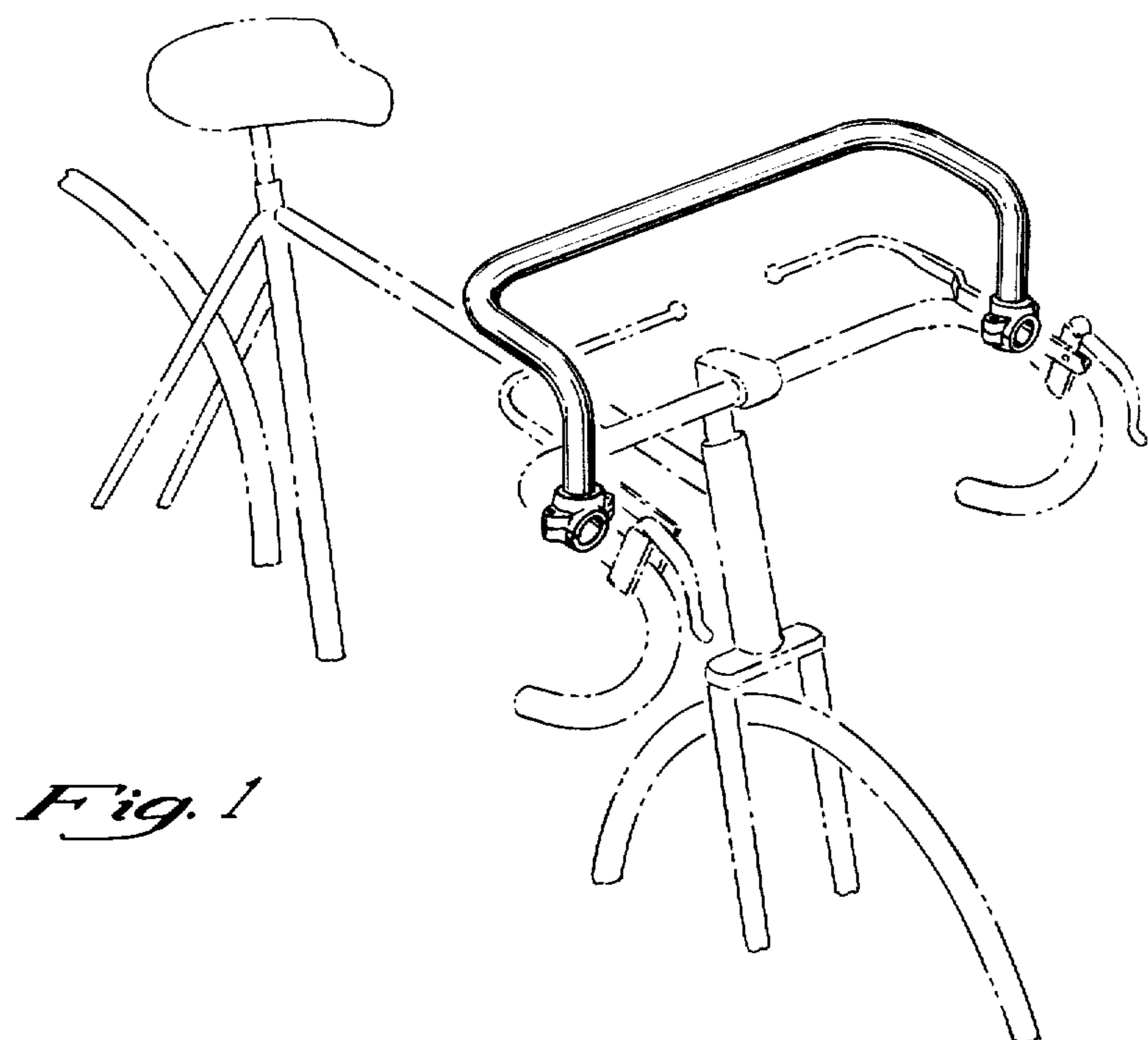
FIG. 4 is a front elevational view thereof.

[56] References Cited

U.S. PATENT DOCUMENTS

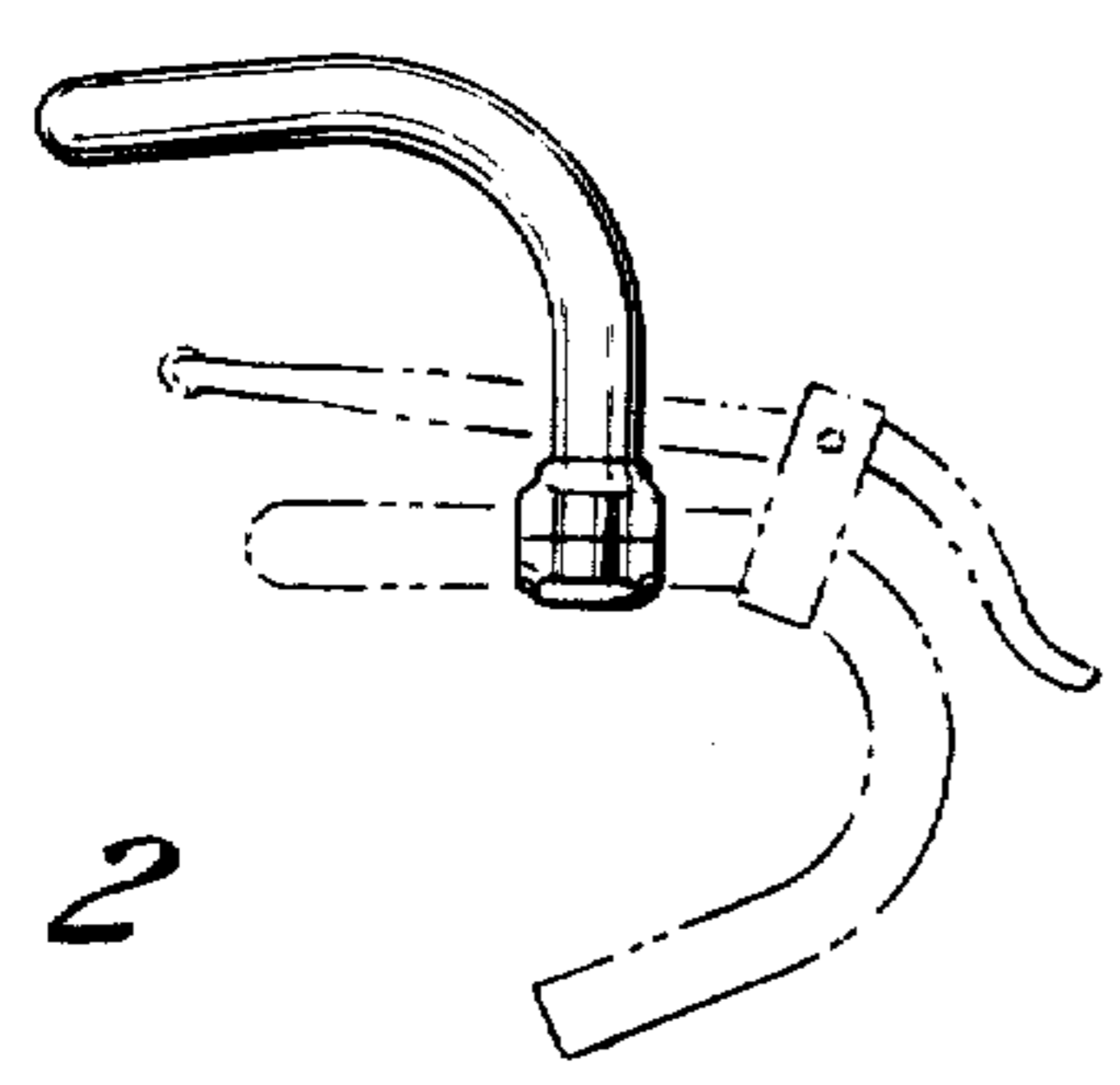
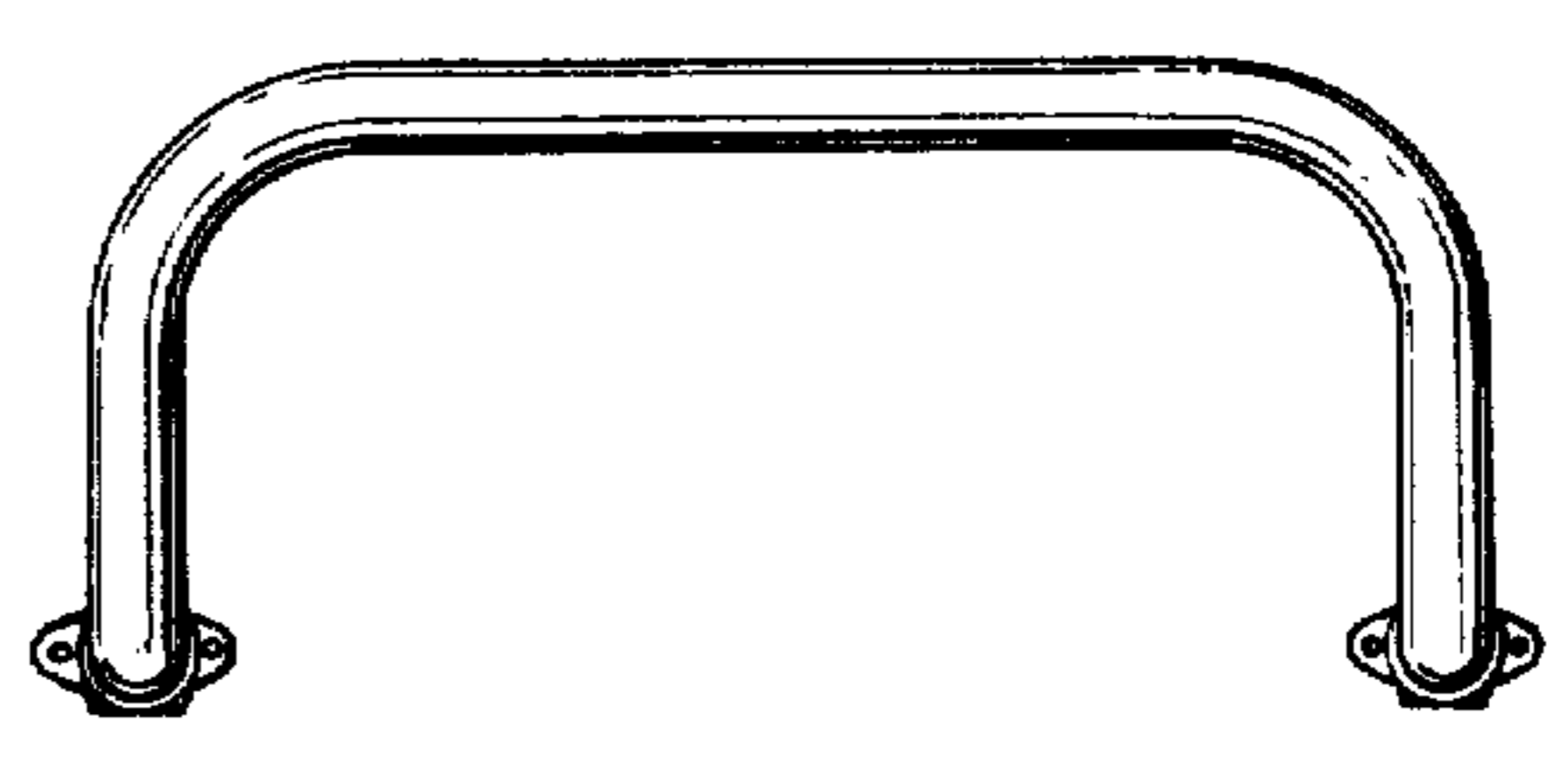
D. 34,072 2/1901 McCoy ..... D12/178



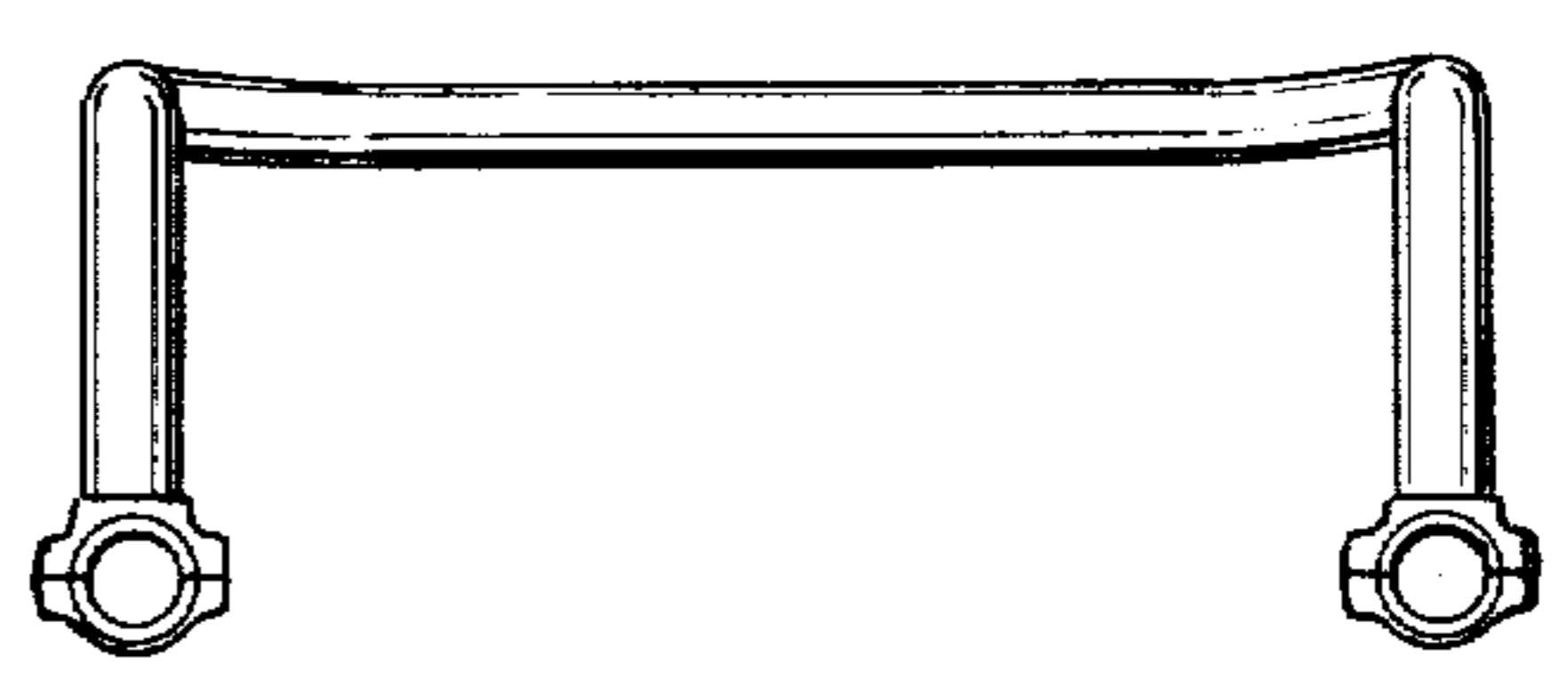


*Fig. 1*

*Fig. 3*



*Fig. 2*



*Fig. 4*