

[54] **TROUGH FOR PLANTERS OR THE LIKE**

[76] **Inventor:** Frederick W. Paton, Oakapple,
Yaldhurst La., Pennington,
Lymington, Hampshire, England

[**] **Term:** 14 Years

[21] **Appl. No.:** 59,885

[22] **Filed:** Jul. 23, 1979

[30] **Foreign Application Priority Data**

Feb. 6, 1979 [GB] United Kingdom 988436/79

[51] **Int. Cl.** D11-02; D25-01

[52] **U.S. Cl.** D11/143; D11/156;
D25/75

[58] **Field of Search** D11/143-145,
D11/148, 152-154, 156, 164; D25/75, 73, 74,
79; 47/47, 39, 66, 86; 52/11-13

[56] **References Cited**

U.S. PATENT DOCUMENTS

D. 255,886 7/1980 Flynn D11/156
1,044,886 11/1912 Hines et al. 52/11
3,841,021 10/1974 Ferrand 47/66
4,014,135 3/1977 Greenbaum 47/66

FOREIGN PATENT DOCUMENTS

537147 6/1941 United Kingdom 47/66

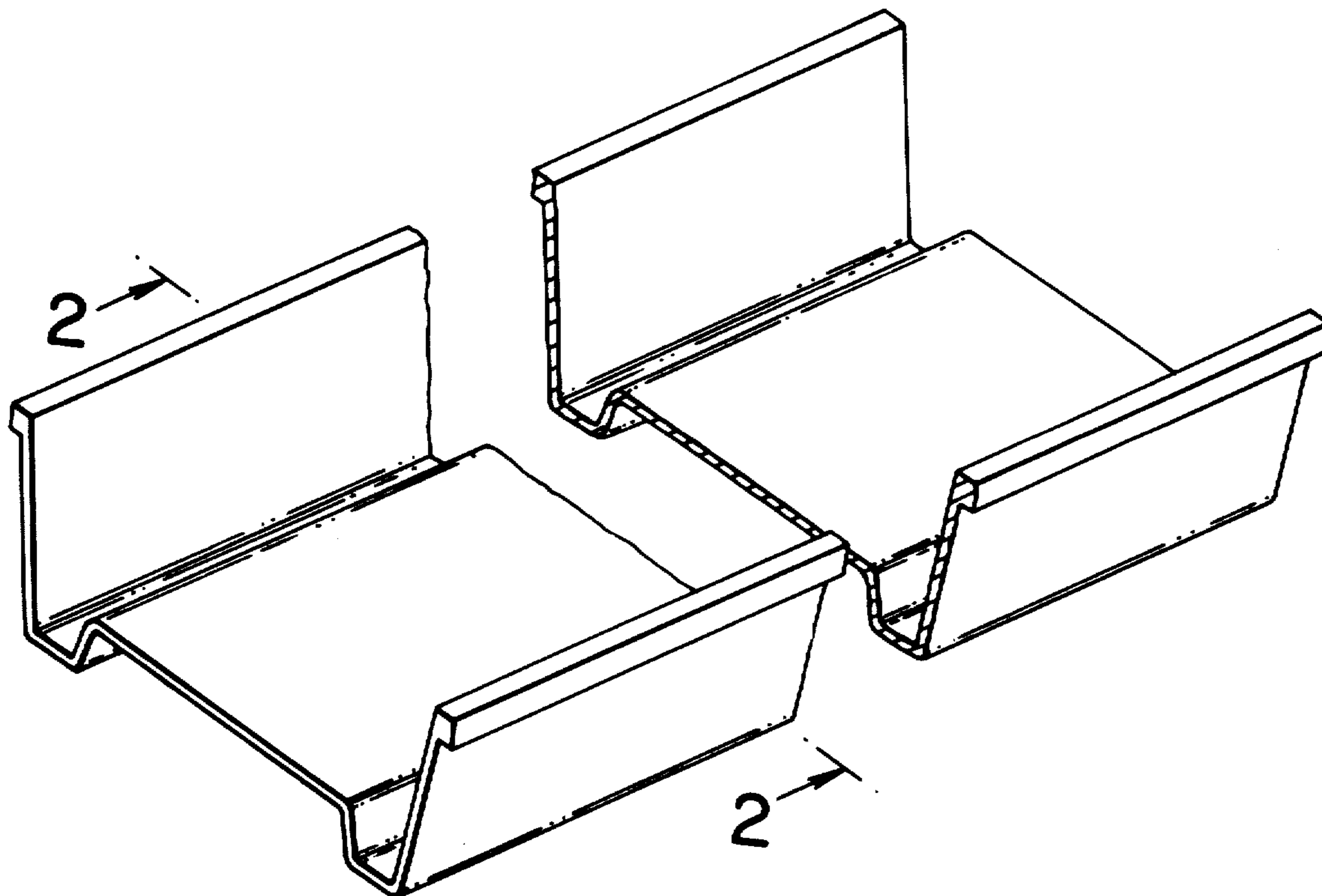
Primary Examiner—B. J. Bullock
Attorney, Agent, or Firm—Fay & Sharpe

[57] **CLAIM**

The ornamental design for a trough for planters or the like, substantially as shown and described.

DESCRIPTION

FIG. 1 is a perspective view of a trough for planters or the like showing my new design and shown broken away to indicate indeterminate length; and, FIG. 2 is an enlarged sectional view taken along lines 2-2 of FIG. 1.



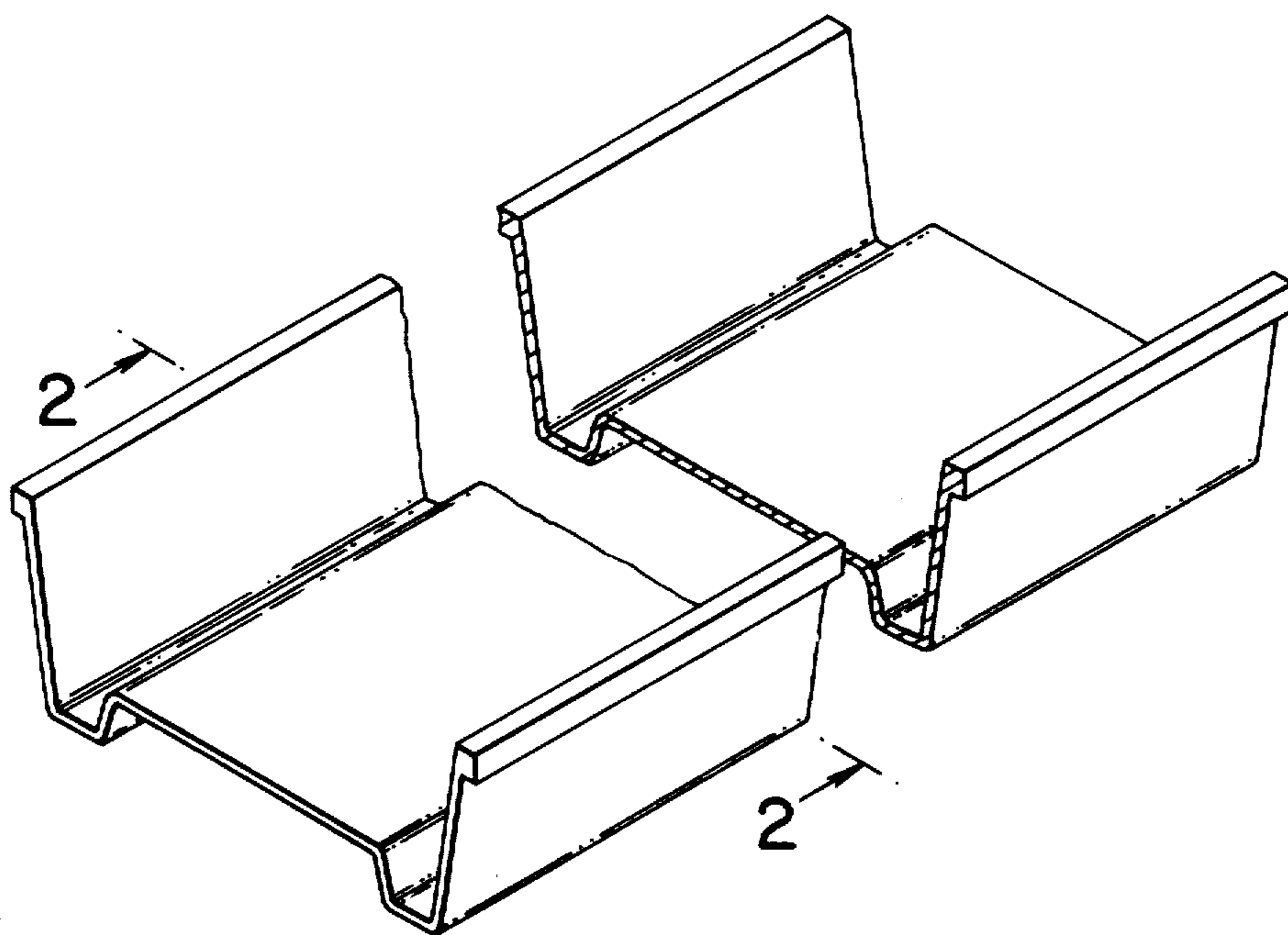


FIG. 1

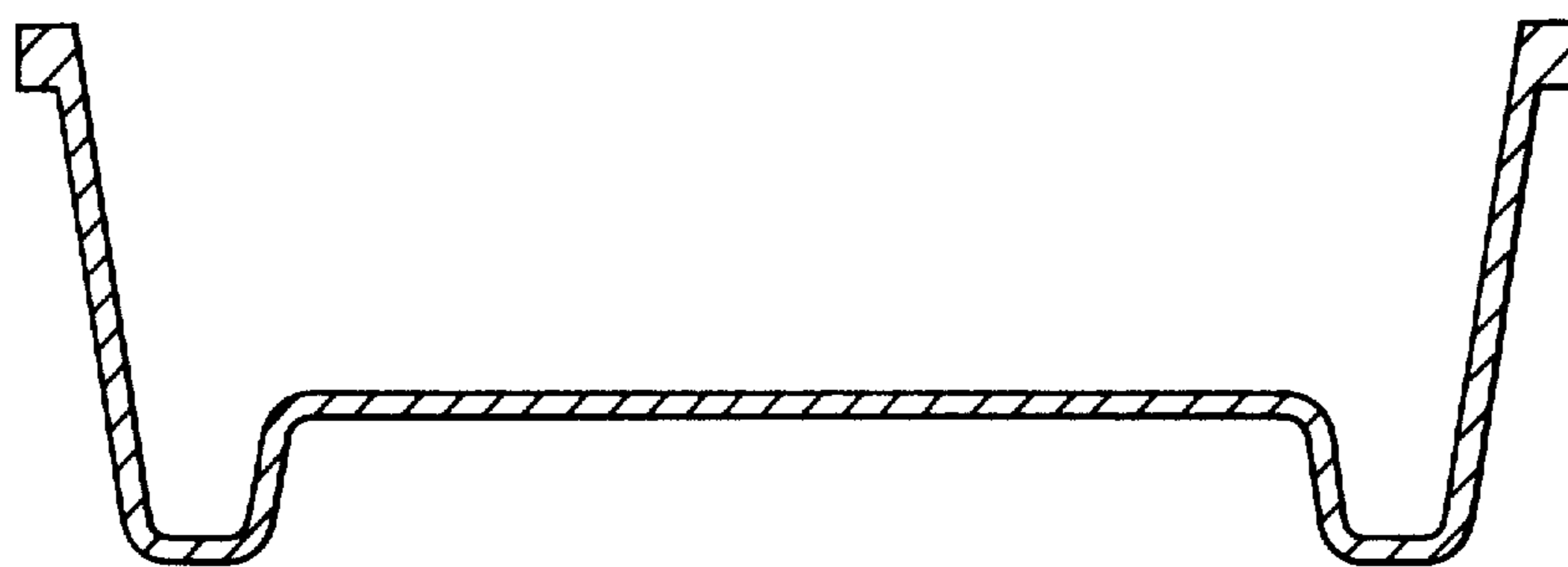


FIG. 2