

[54] COMBINATION LOCK

[75] Inventor: Edward M. Stolarz, Yorktown Heights, N.Y.

[73] Assignee: Presto Lock Company, Division of Walter Kidde & Company, Inc., Garfield, N.J.

[\*\*] Term: 14 Years

[21] Appl. No.: 855,917

[22] Filed: Nov. 29, 1977

[51] Int. Cl. .... D8-07

[52] U.S. Cl. .... D8/338

[58] Field of Search ..... D8/331, 336, 338; 70/63, 64, 66-69, 73, 74, 76, 304, 312, 316, 287

[56] References Cited

U.S. PATENT DOCUMENTS

3,416,338 12/1968 Gehrie ..... 70/69

Primary Examiner—James M. Gandy  
Attorney, Agent, or Firm—Shapiro and Shapiro

[57] CLAIM

The ornamental design for a combination lock, as shown and described.

DESCRIPTION

FIG. 1 is a top plan view of a combination lock embodying my new design;

FIG. 2 is a side elevational view as seen from the bottom of FIG. 1;

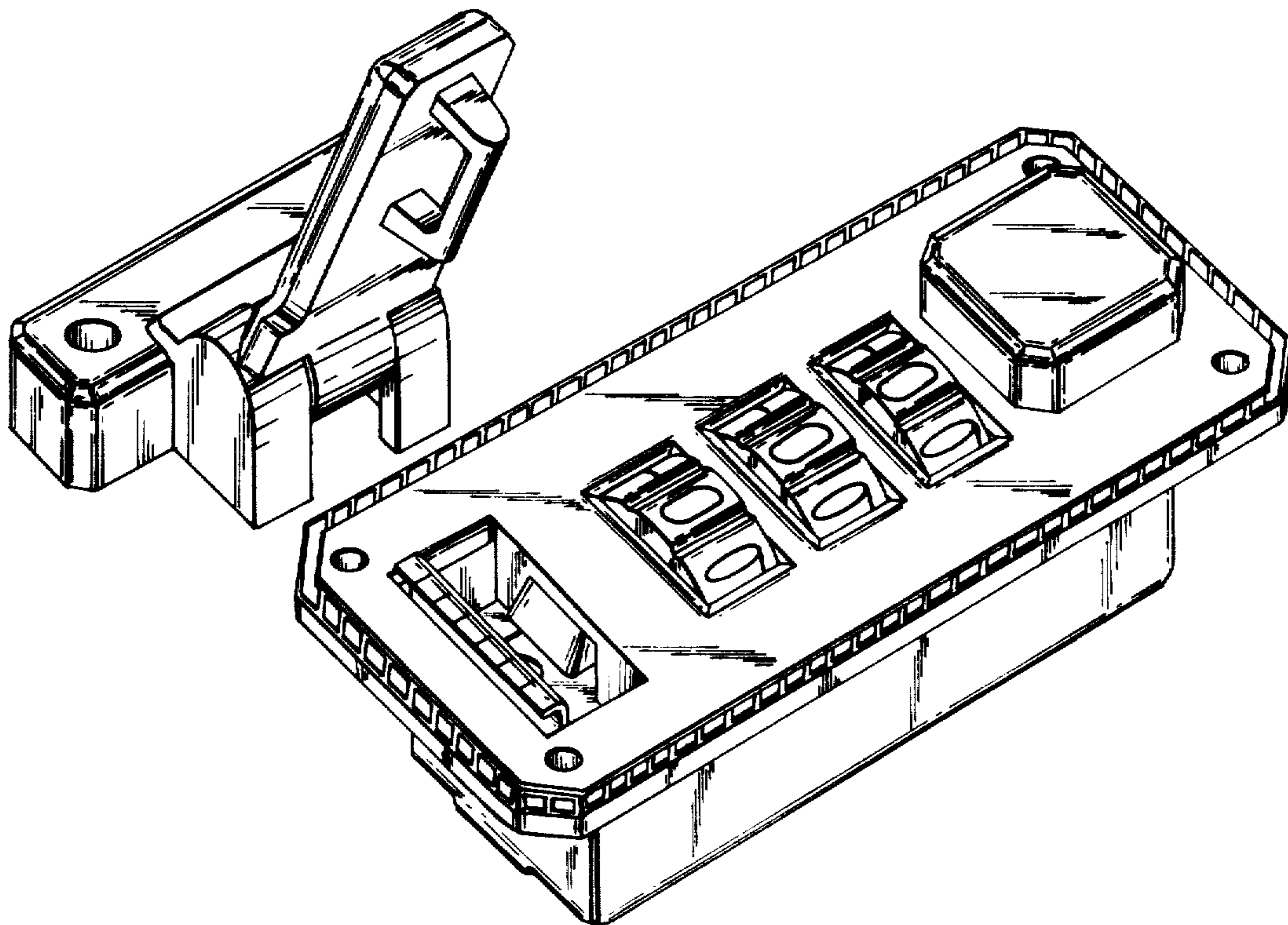
FIG. 3 is a bottom plan view;

FIG. 4 is a side elevational view as seen from the top of FIG. 1;

FIG. 5 is an end elevational view as seen from the left in FIG. 1;

FIG. 6 is an end elevational view as seen from the right of FIG. 1;

FIG. 7 is a perspective view thereof, with the hasp in open condition.



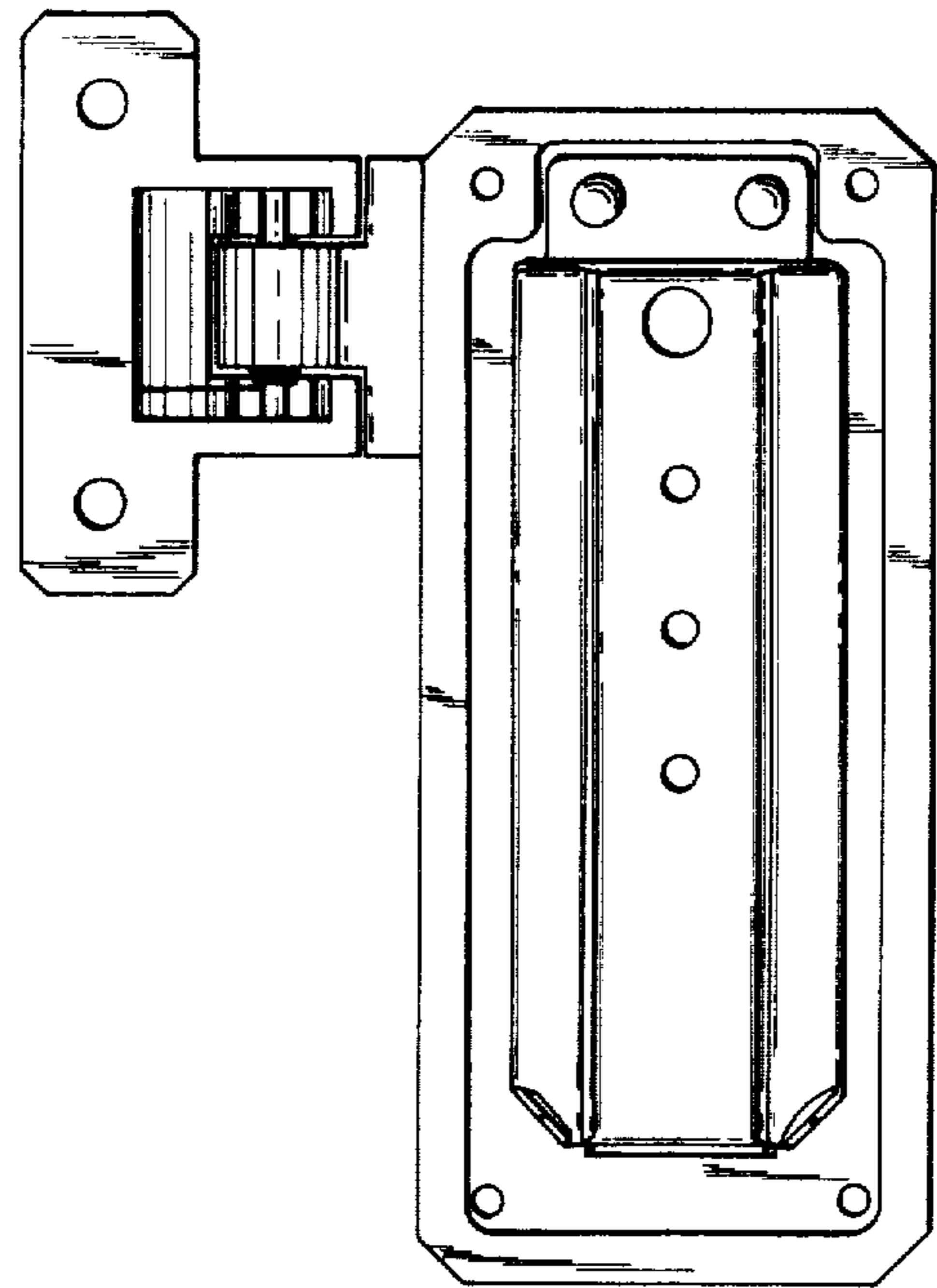


FIG. 3

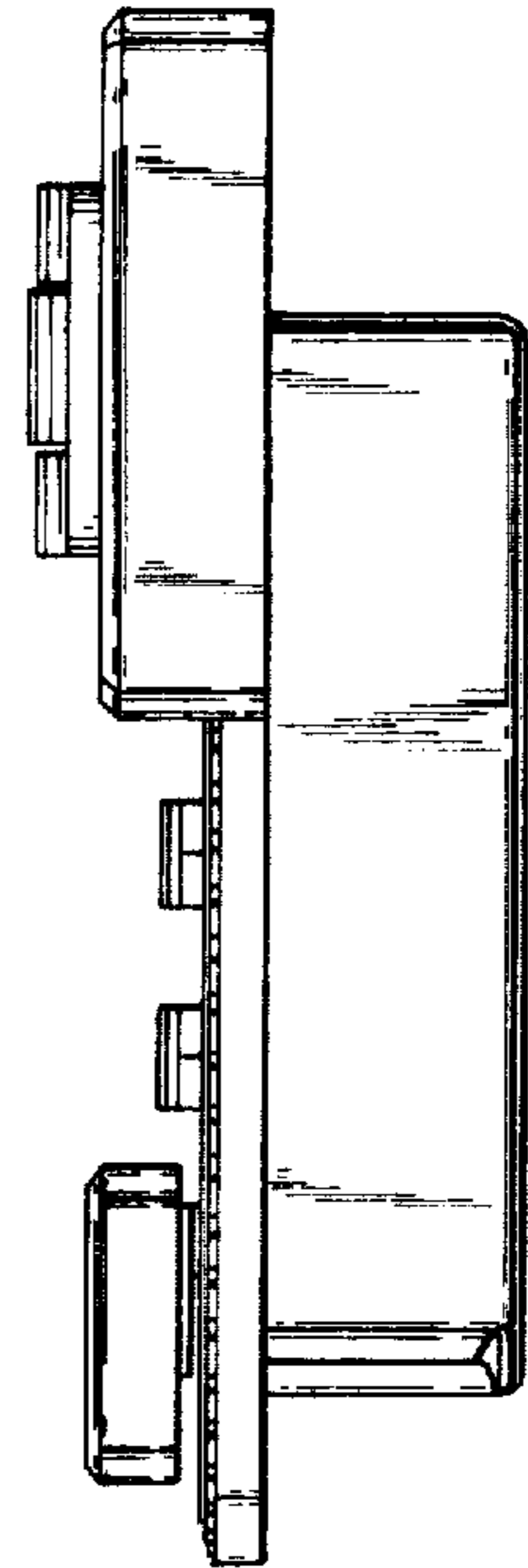


FIG. 4

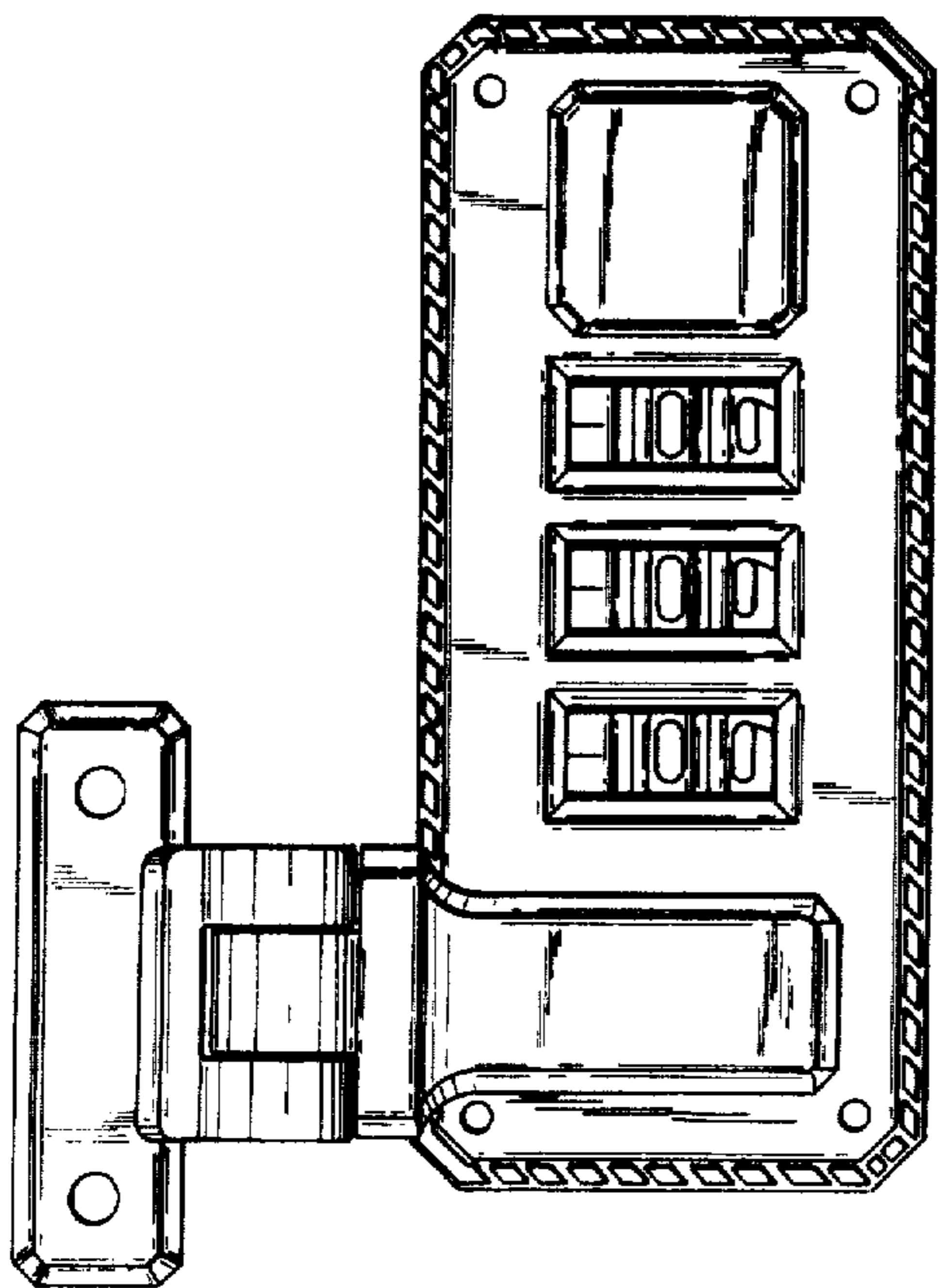


FIG. 1

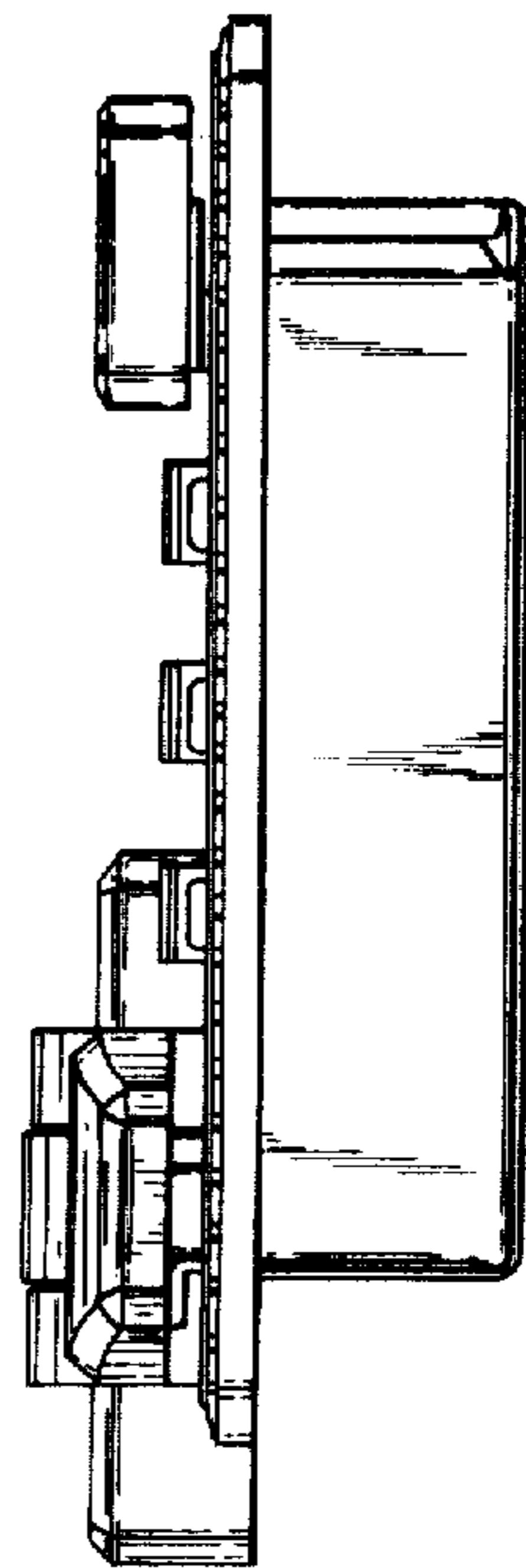


FIG. 2

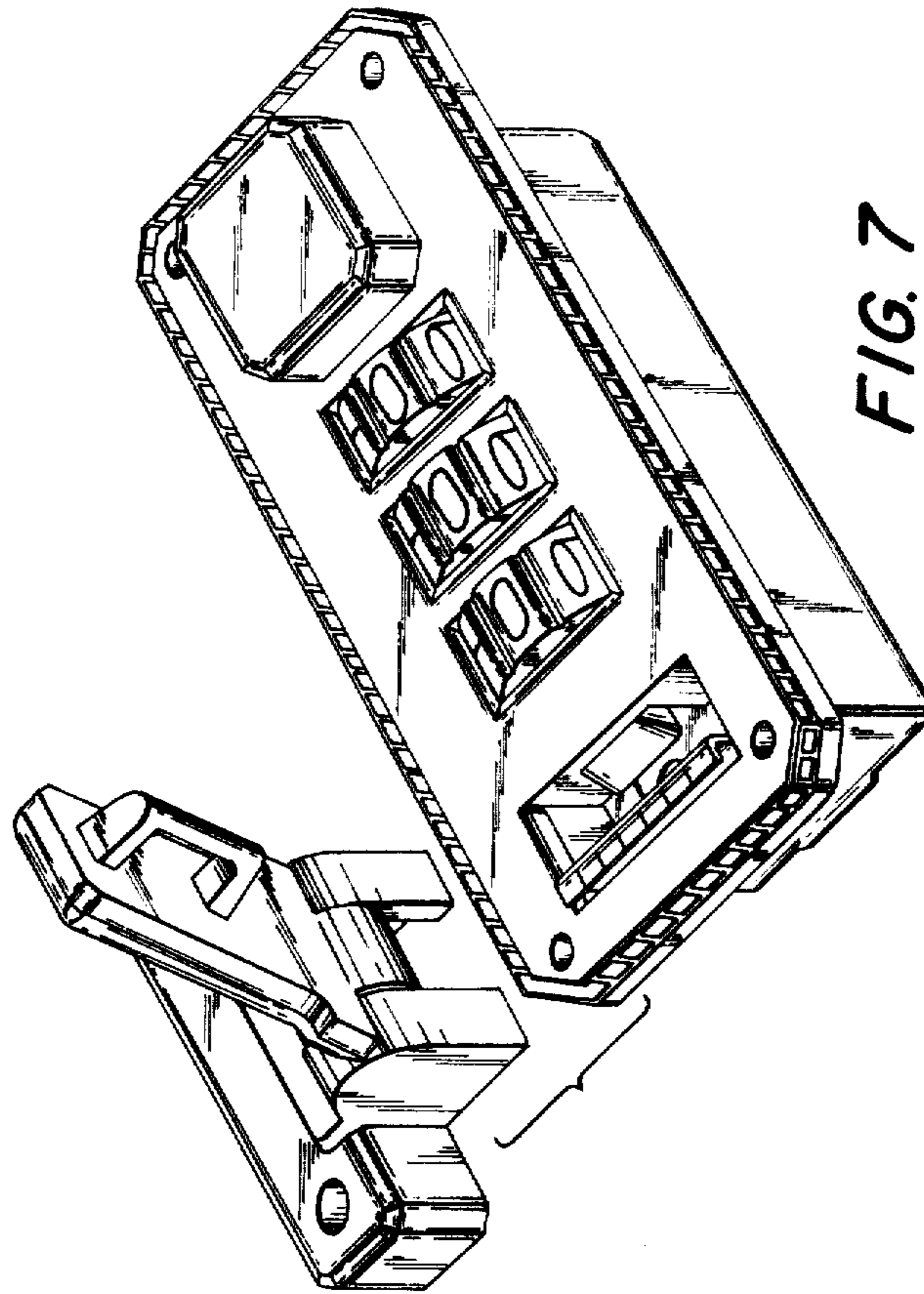


FIG. 7

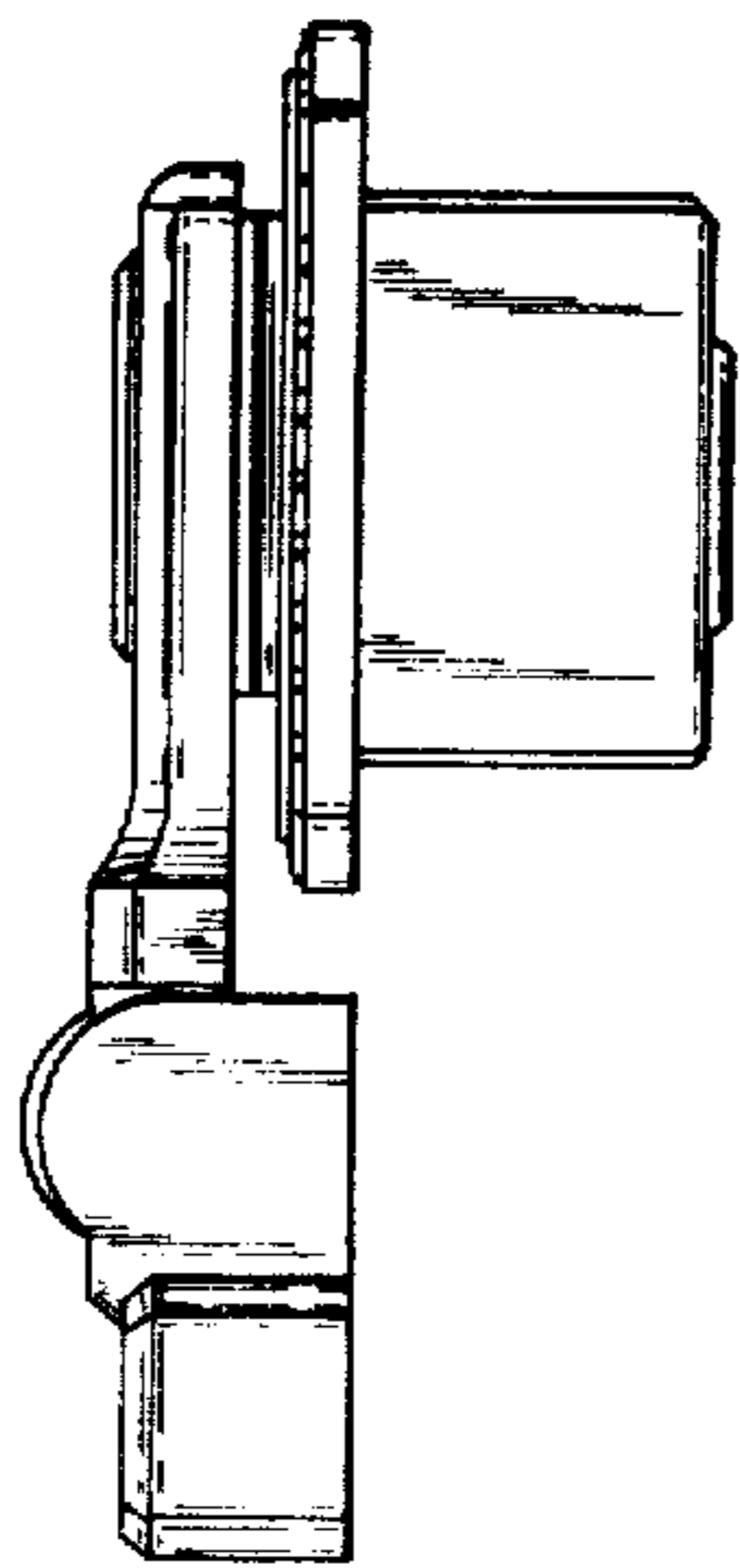


FIG. 5

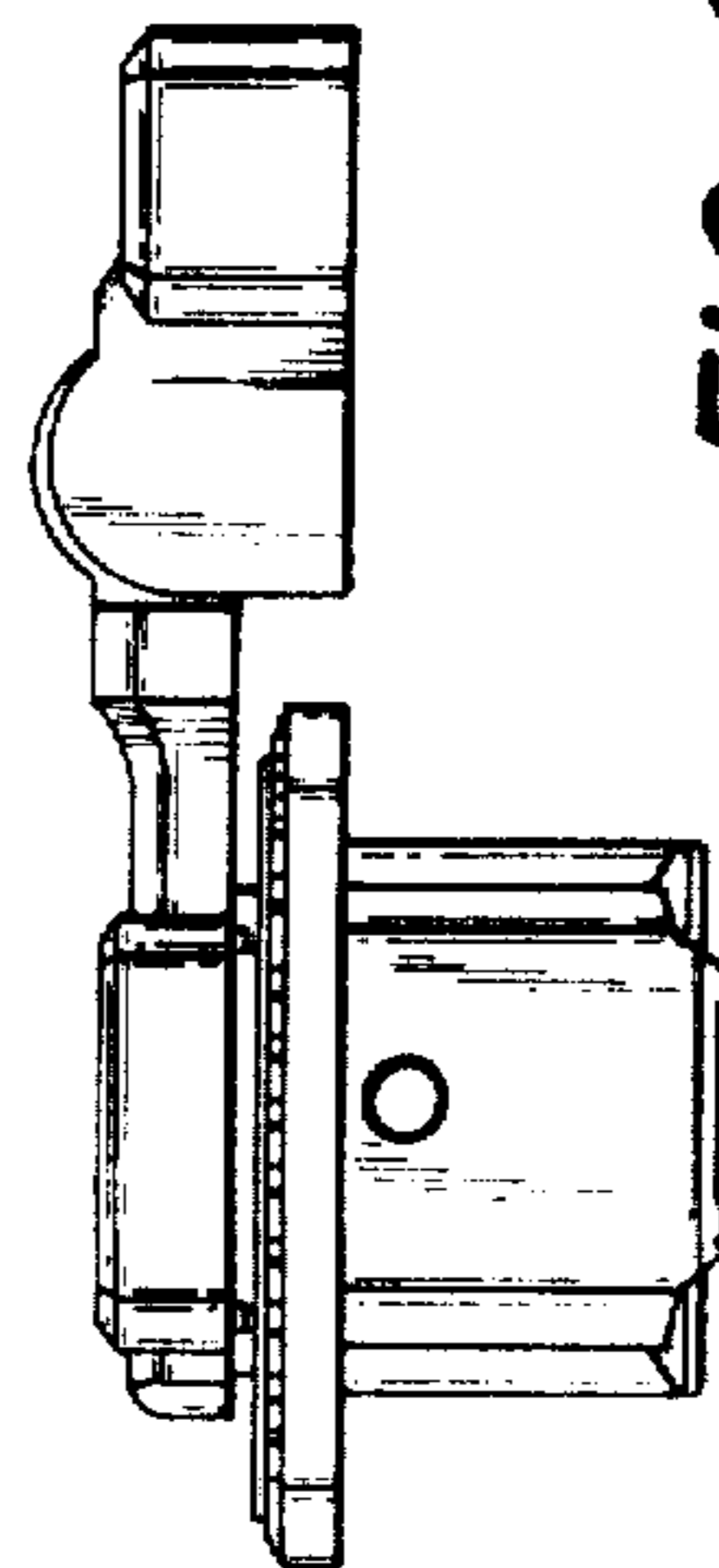


FIG. 6