

[54] SAFETY LOCK FOR WINDOWS  
[76] Inventors: James J. Toohil, 23 Trull La., Lowell, Mass. 01852; Harry R. Carey, 55 New Carver St., Raynham, Mass. 02768

3,288,510 11/1966 Gough et al. .... 70/90 X  
3,299,678 1/1967 Spencer ..... 292/251 X  
4,045,982 9/1977 Gorton et al. .... 70/90

[\*\*] Term: 14 Years

Primary Examiner—A. Hugo Word  
Attorney, Agent, or Firm—Pearson & Pearson

[21] Appl. No.: 94,863

[57] CLAIM

[22] Filed: Nov. 15, 1979

The ornamental design for a safety lock for windows, substantially as shown and described.

[51] Int. Cl. .... D8-07

DESCRIPTION

[52] U.S. Cl. .... D8/331; D8/382

[58] Field of Search ..... 292/251, 337, 60; 85/5 P, 7; 70/89, 90; D8/331, 339, 402, 382, 400; 24/221 A

FIG. 1 is a perspective view of a safety lock for windows showing our new design;

FIG. 2 is a view similar to FIG. 1 showing another position of the safety lock for windows;

FIG. 3 is a front view of the safety lock for windows;

FIG. 4 is a rear view of the safety lock for windows;

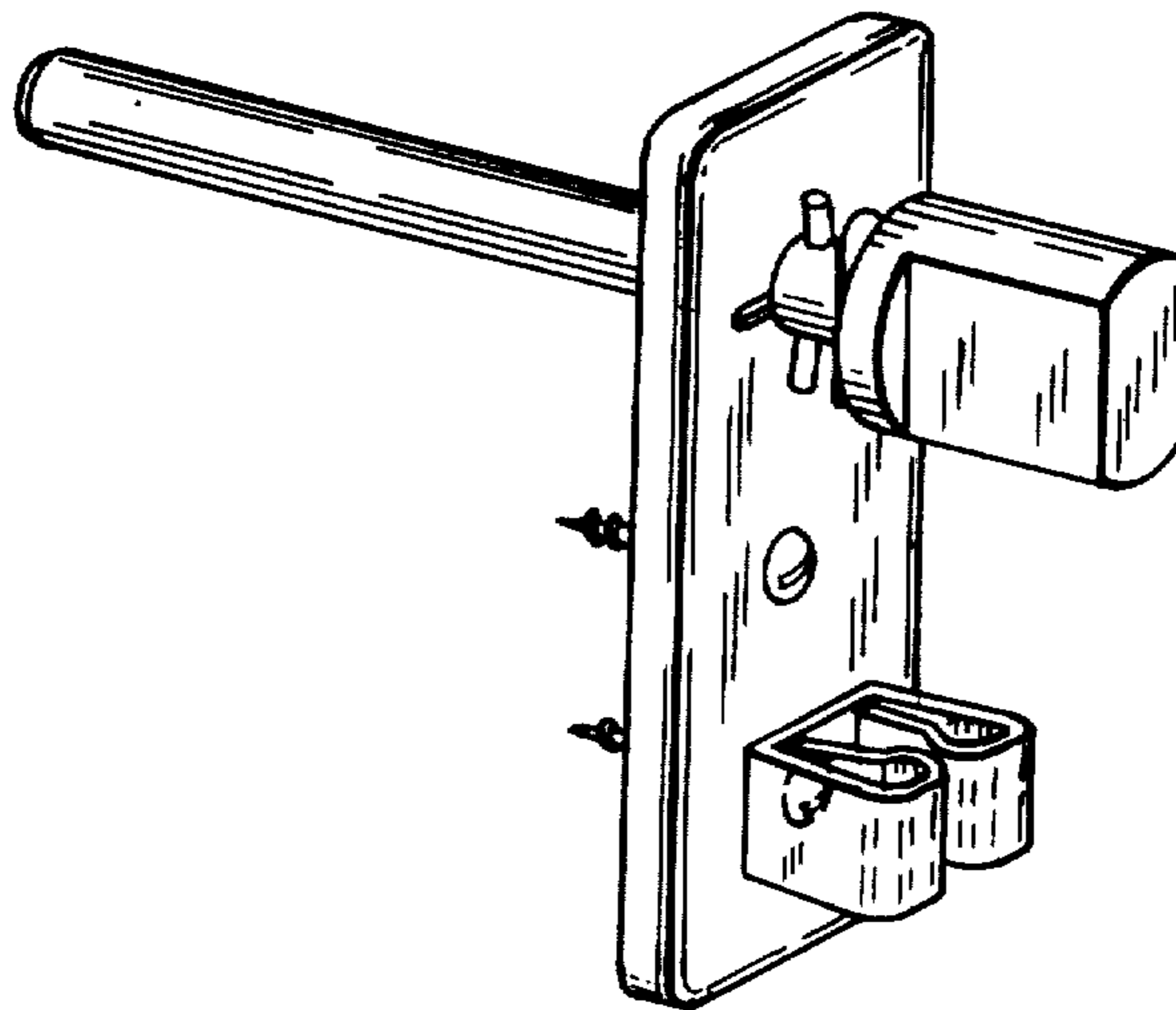
FIG. 5 is a top plan view of the safety lock for windows; and

FIG. 6 is a bottom plan view of the safety lock for windows.

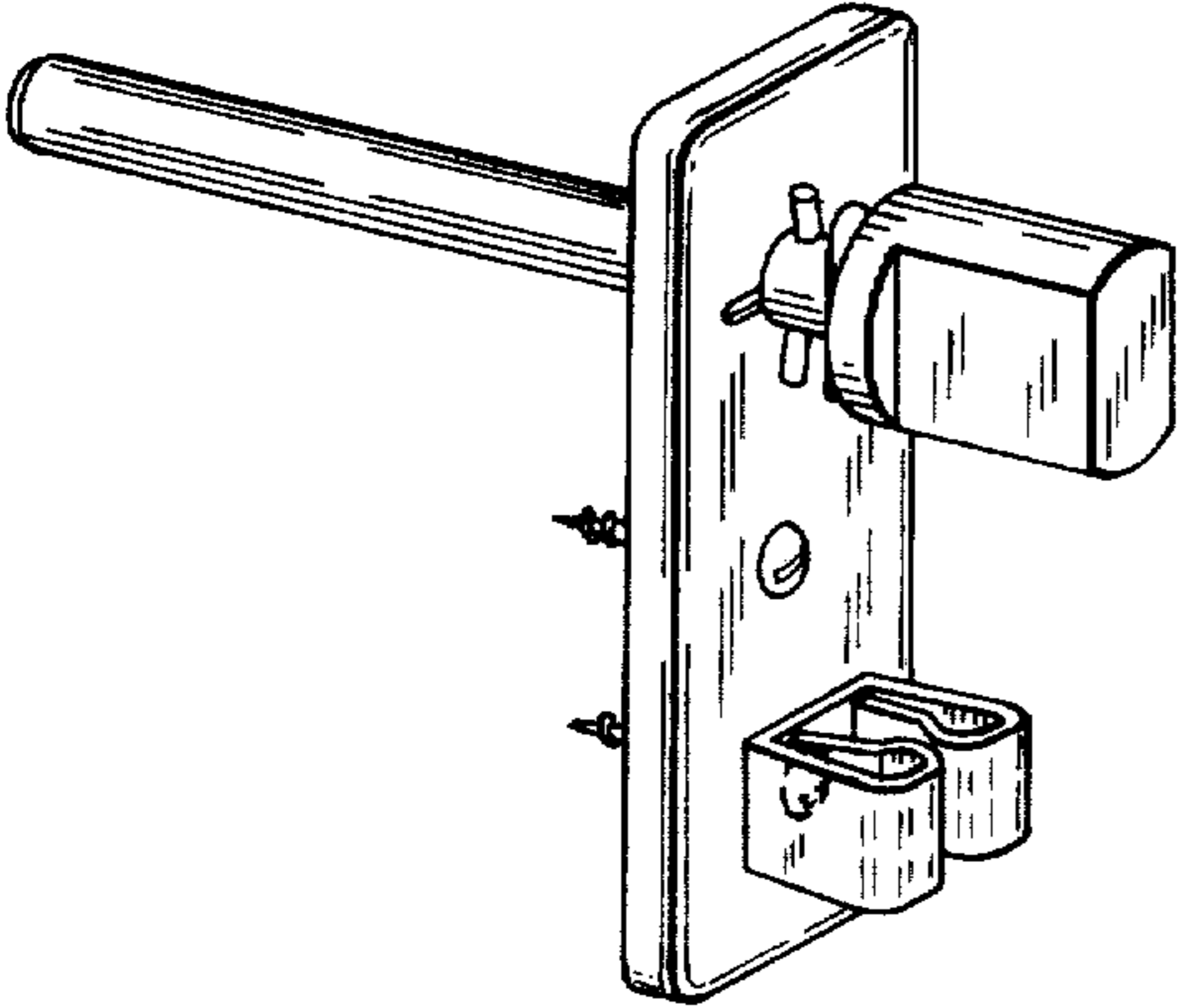
[56] References Cited

U.S. PATENT DOCUMENTS

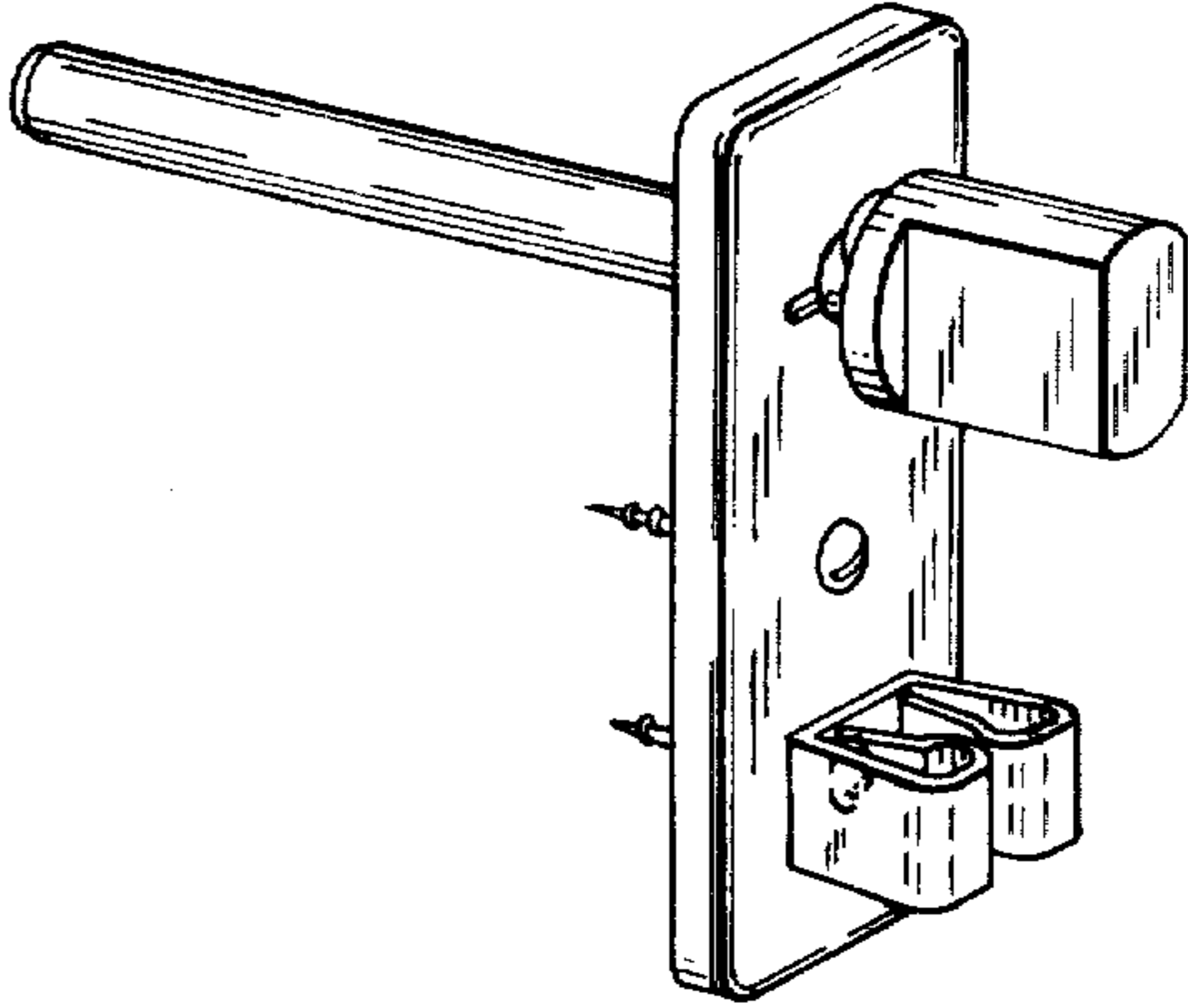
D. 255,772 7/1980 Johnson et al. .... D8/331  
3,071,957 1/1963 Golub ..... 70/90



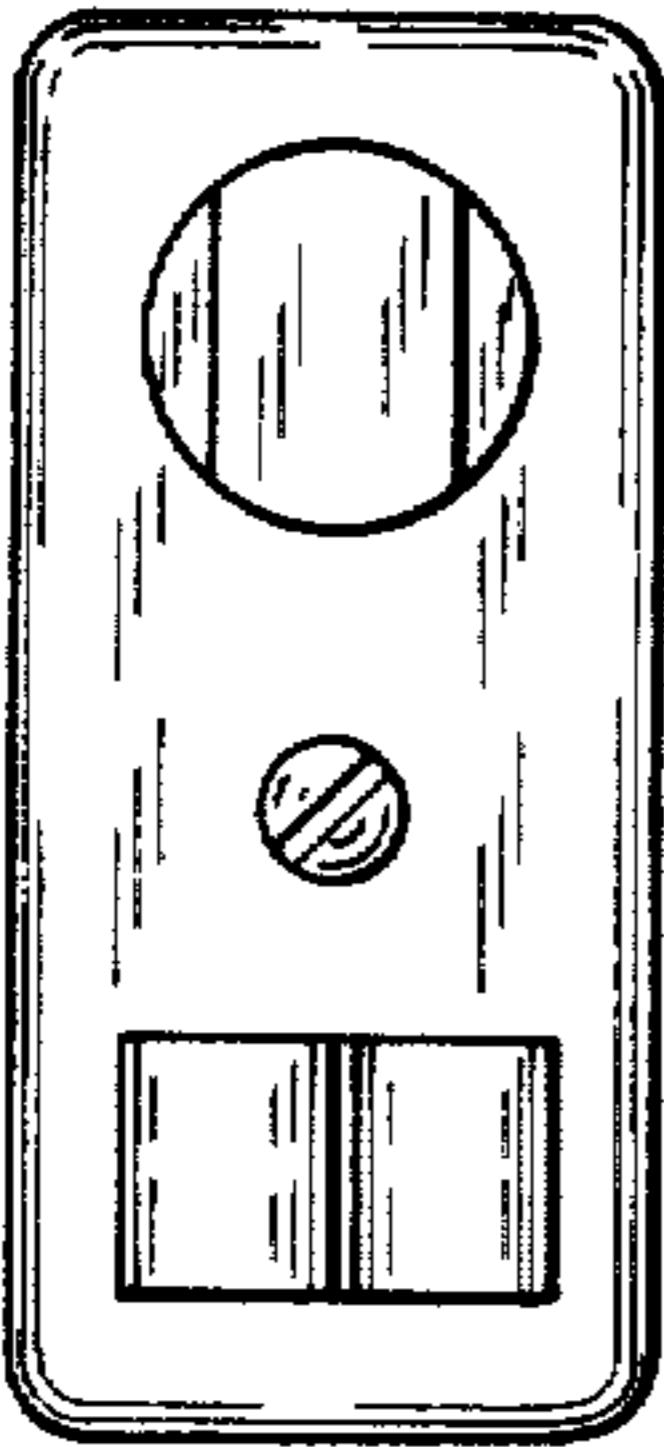
*Fig. 1.*



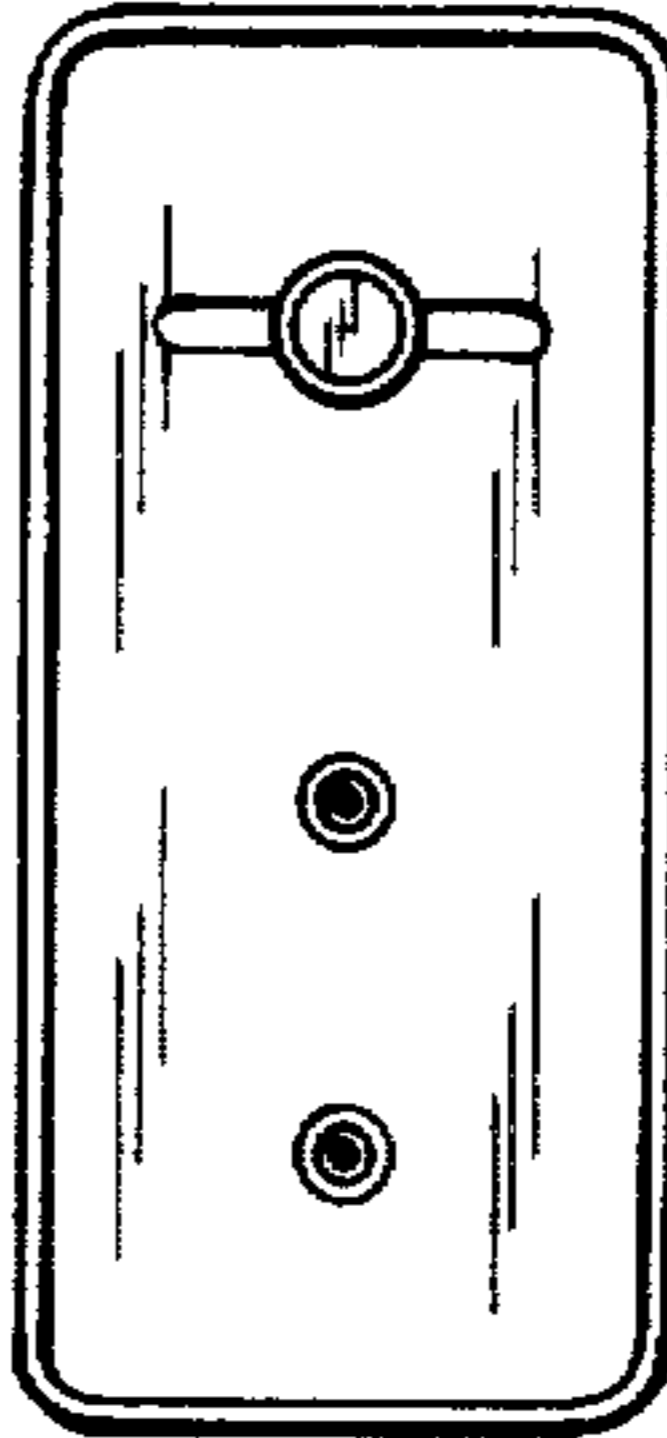
*Fig. 2.*



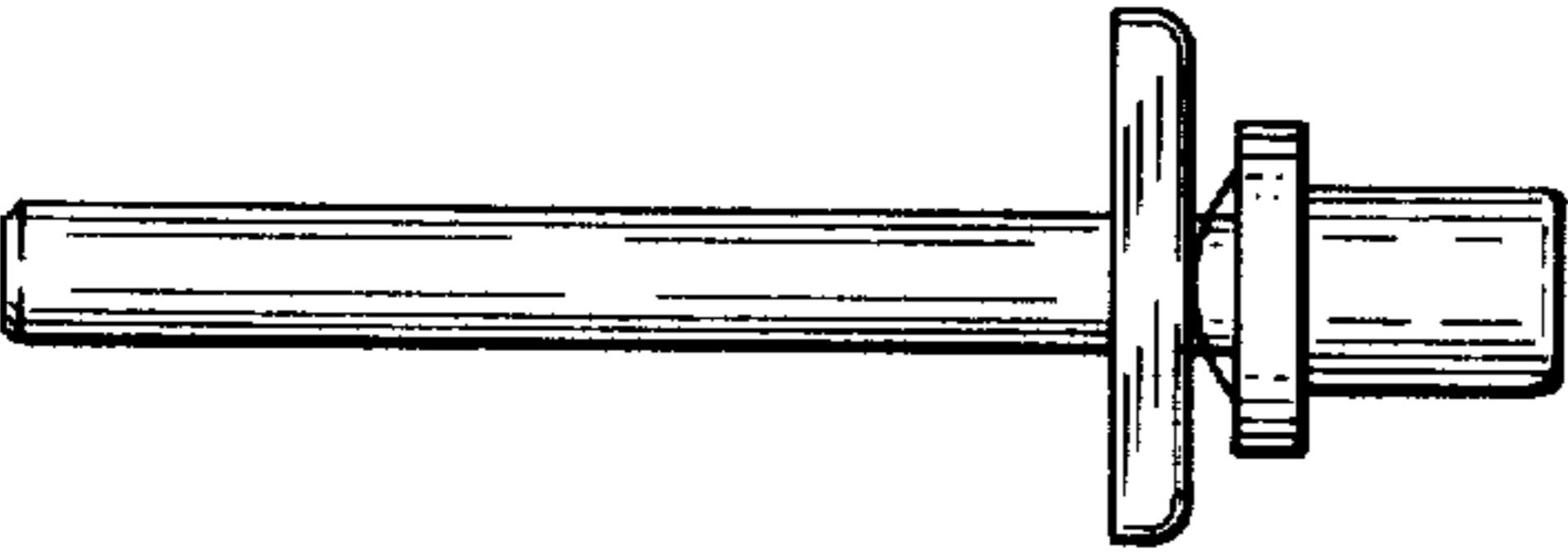
*Fig. 3.*



*Fig. 4.*



*Fig. 5.*



*Fig. 6.*

