

[54] **KNIFE WITH BREAKABLE BLADES**

[75] **Inventor:** Bernard Gregoire, Berthierville,
Canada

[73] **Assignee:** A. Richard Ltd., Berthierville,
Canada

[**] **Term:** 14 Years

[21] **Appl. No.:** 110,236

[22] **Filed:** Jan. 7, 1980

[51] **Int. Cl.** D8—03

[52] **U.S. Cl.** D8/99; D8/98

[58] **Field of Search** 30/293, 162, 320, 329,
30/335, 336, 339; D8/98, 99, 101, 15, 19, 20

[56] **References Cited**

U.S. PATENT DOCUMENTS

| | | | | |
|------------|---------|---------|-------|--------|
| D. 222,421 | 10/1971 | Riley | | D8/99 |
| 4,103,421 | 8/1978 | Quenot | | 30/162 |
| 4,233,734 | 11/1980 | Bies | | 30/162 |
| 4,240,202 | 12/1980 | Gilbert | | 30/162 |

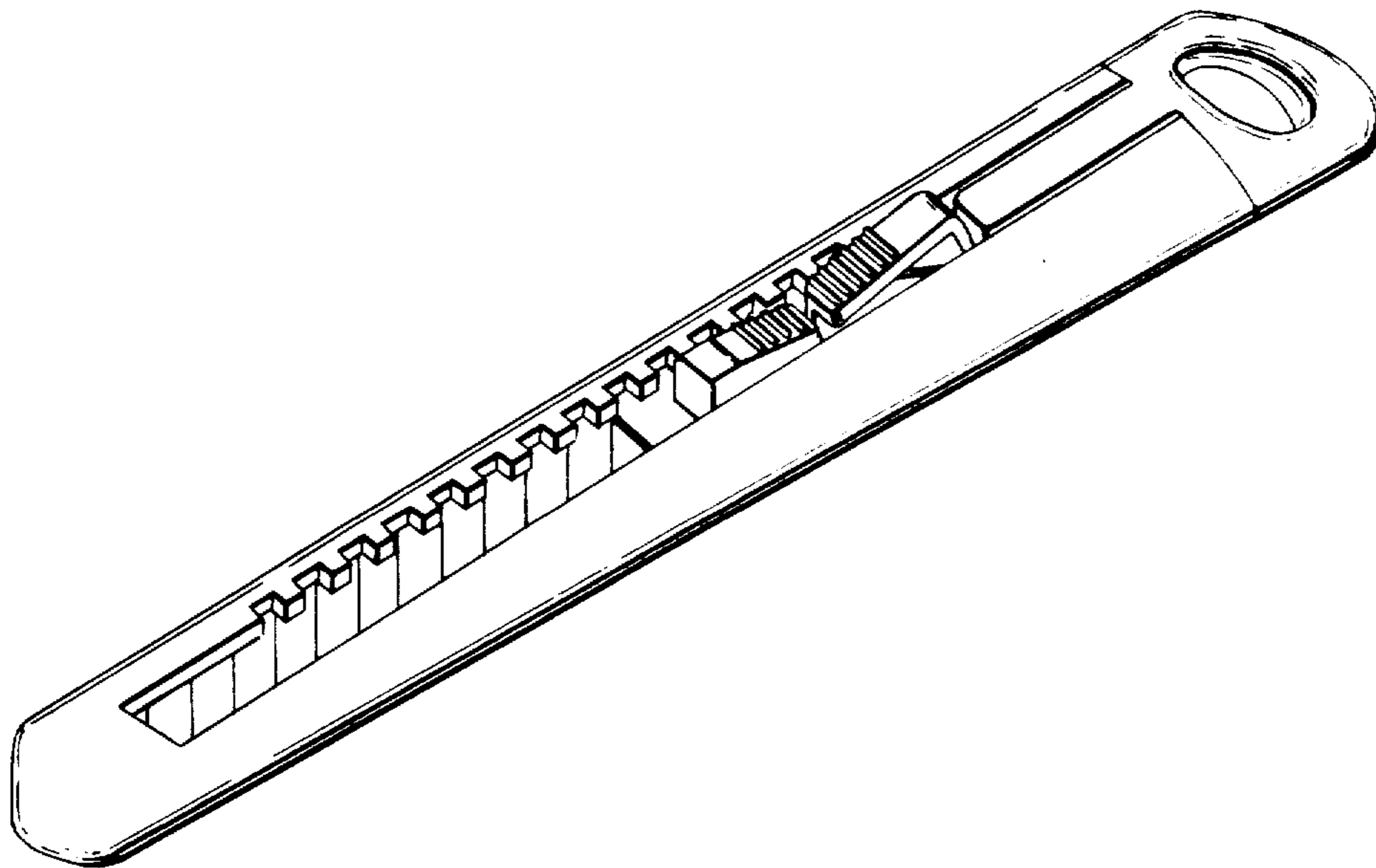
Primary Examiner—A. Hugo Word
Attorney, Agent, or Firm—Robic, Robic & Associates

[57] **CLAIM**

The ornamental design for a knife with breakable blades, substantially as shown.

DESCRIPTION

FIG. 1 is a perspective view of a knife with breakable blades showing my new design;
FIG. 2 is a top plan view thereof;
FIG. 3 is a bottom plan view thereof;
FIG. 4 is a rear elevational view thereof;
FIG. 5 is a right side elevational view thereof and;
FIG. 6 is a left side elevational view thereof.



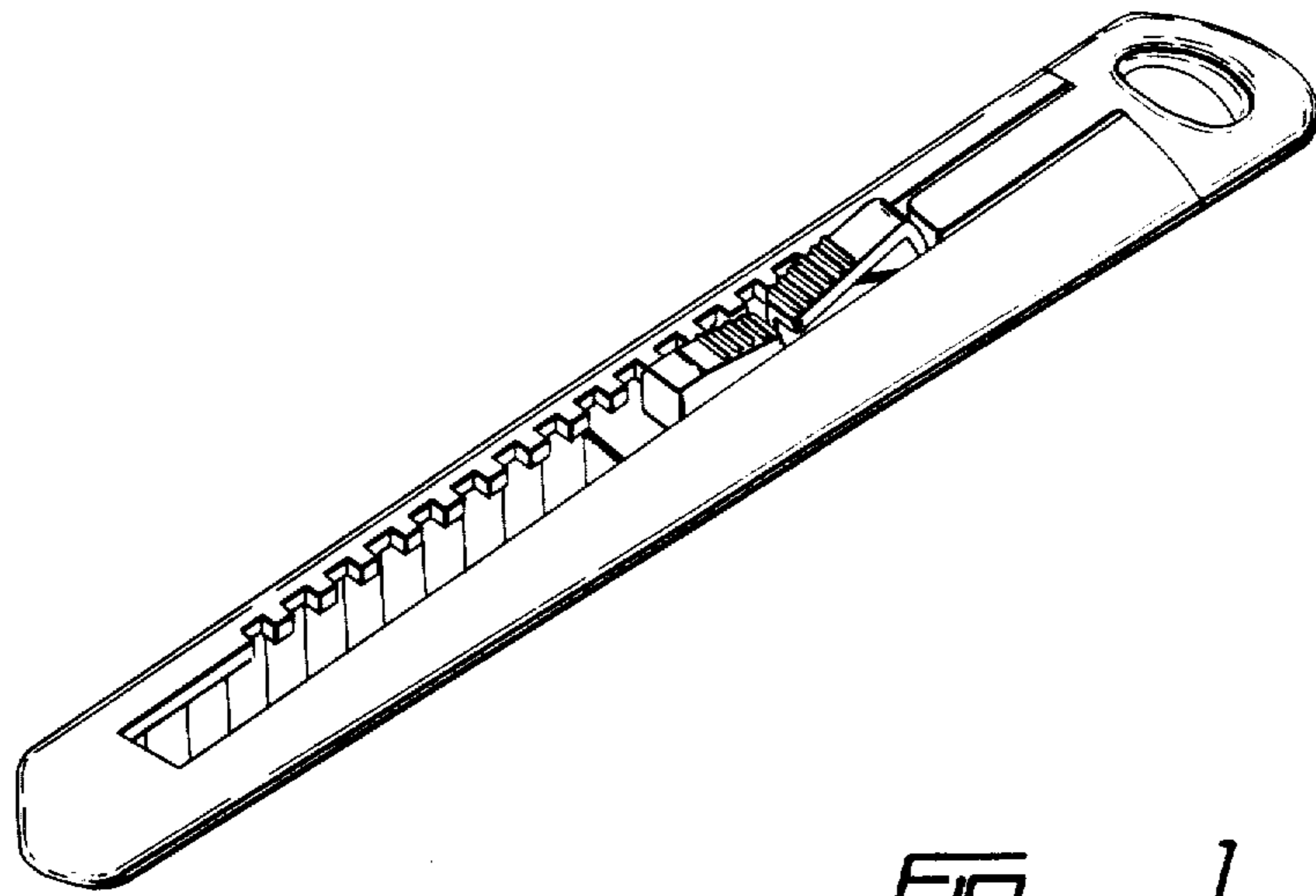


Fig. 1

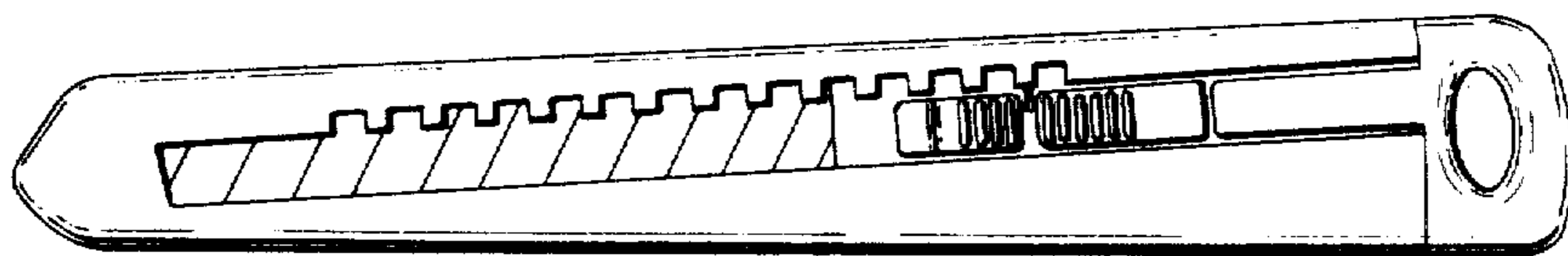


Fig. 2

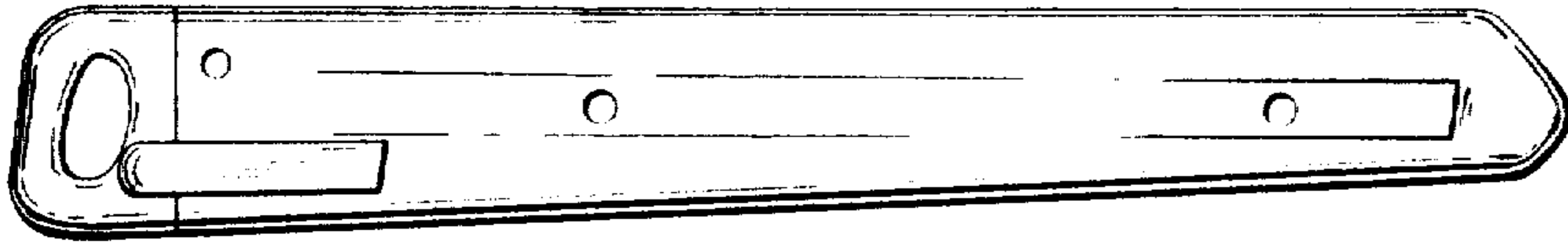


Fig. 3

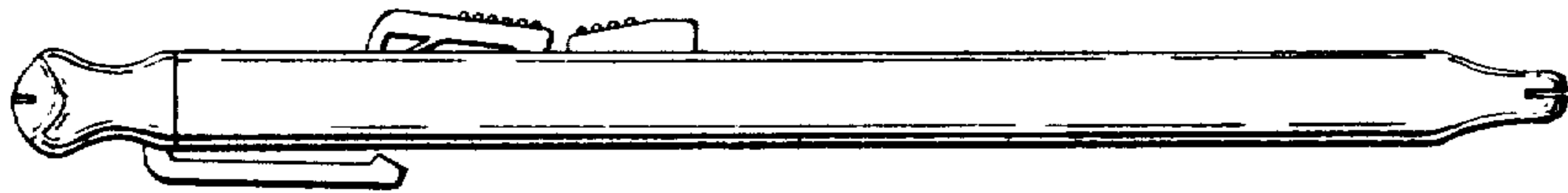


Fig. 4



Fig. 5

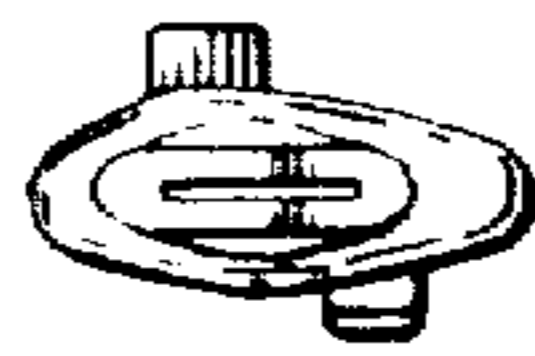


Fig. 6