

[54] ANVIL
 [76] Inventor: Ludger D'Amour, 5815 Arthur
 Chevrier, Montreal, Canada
 [**] Term: 14 Years
 [21] Appl. No.: 82,654
 [22] Filed: Oct. 9, 1979
 [51] Int. Cl. D8-05
 [52] U.S. Cl. D8/46
 [58] Field of Search 72/476, 477, 419;
 254/19; D8/46

2,687,546 6/1954 Montgomery 72/477 X
 3,704,622 12/1972 Cole 72/477

Primary Examiner—A. Hugo Word
 Attorney, Agent, or Firm—Goudreau, Gage & Dubuc

[57] CLAIM

The ornamental design for an anvil, as shown.

DESCRIPTION

FIG. 1 is a perspective view of an anvil showing my new design;
 FIG. 2 is a top plan view thereof;
 FIG. 3 is an elevational view of one side thereof;
 FIG. 4 is an elevational view of the other side thereof;
 FIG. 5 is an elevational view of one end thereof; and
 FIG. 6 is an elevational view of the opposite end thereof.

[56] References Cited
 U.S. PATENT DOCUMENTS
 D. 121,221 6/1940 Maitland D8/46

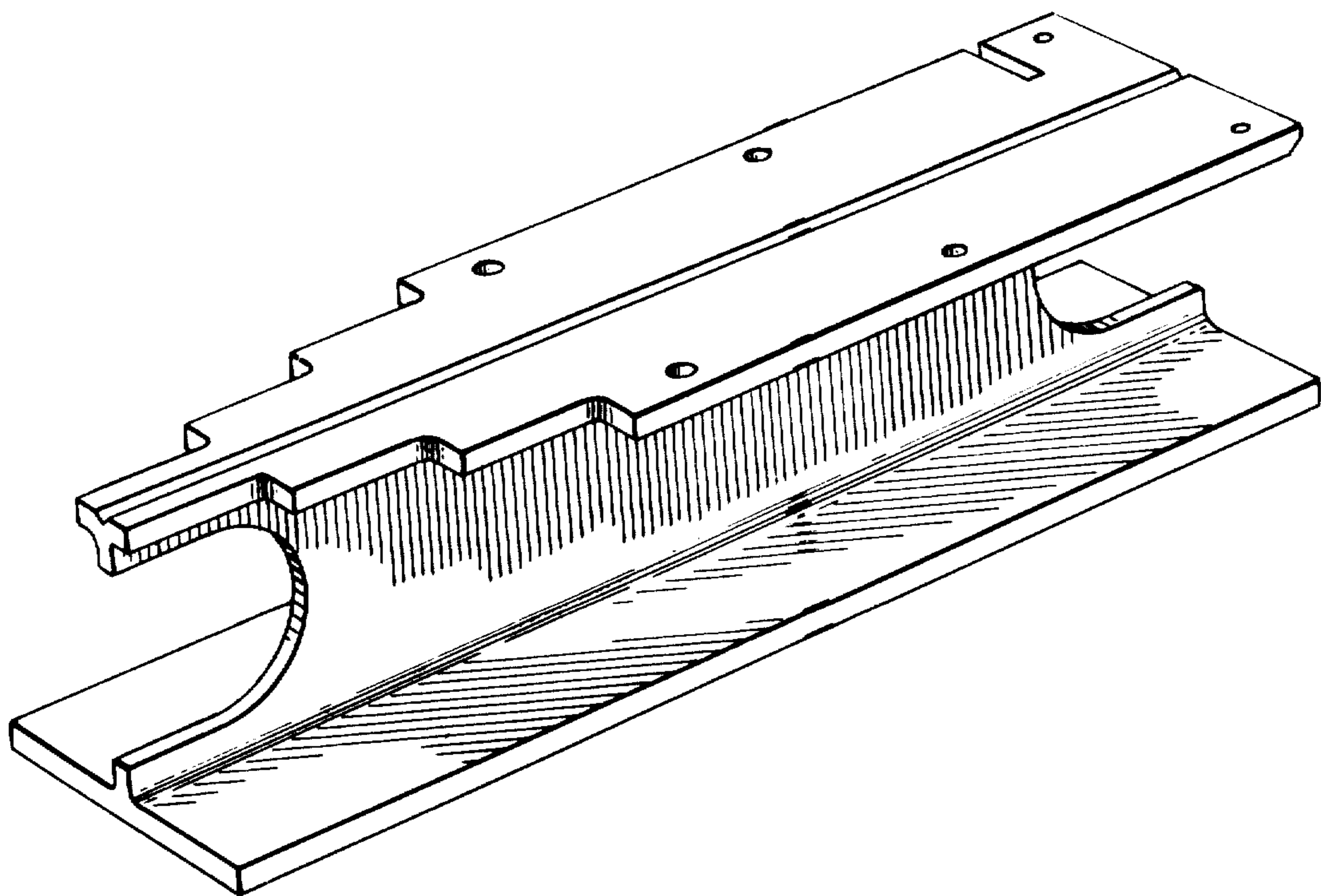


Fig. 1

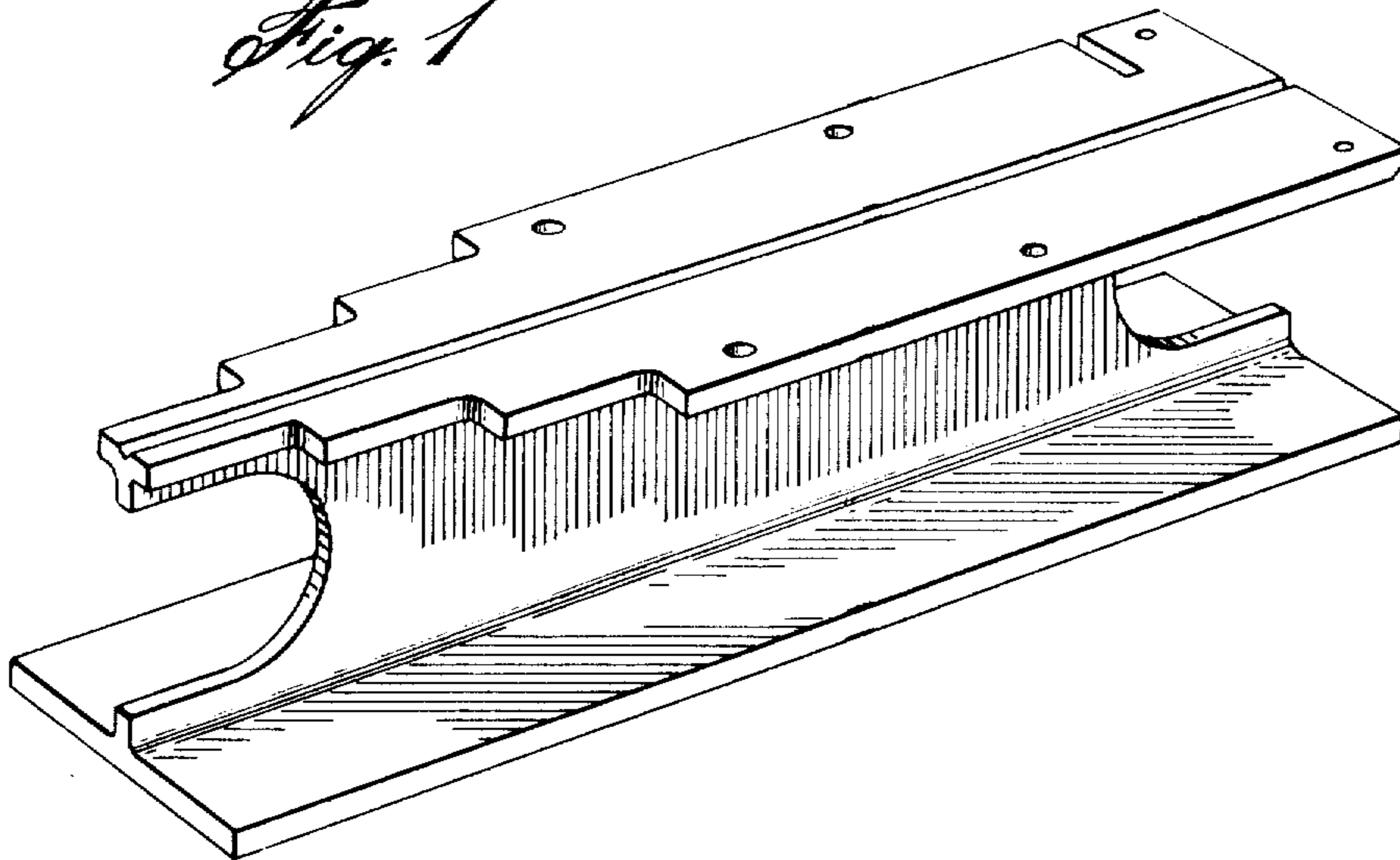


Fig. 2

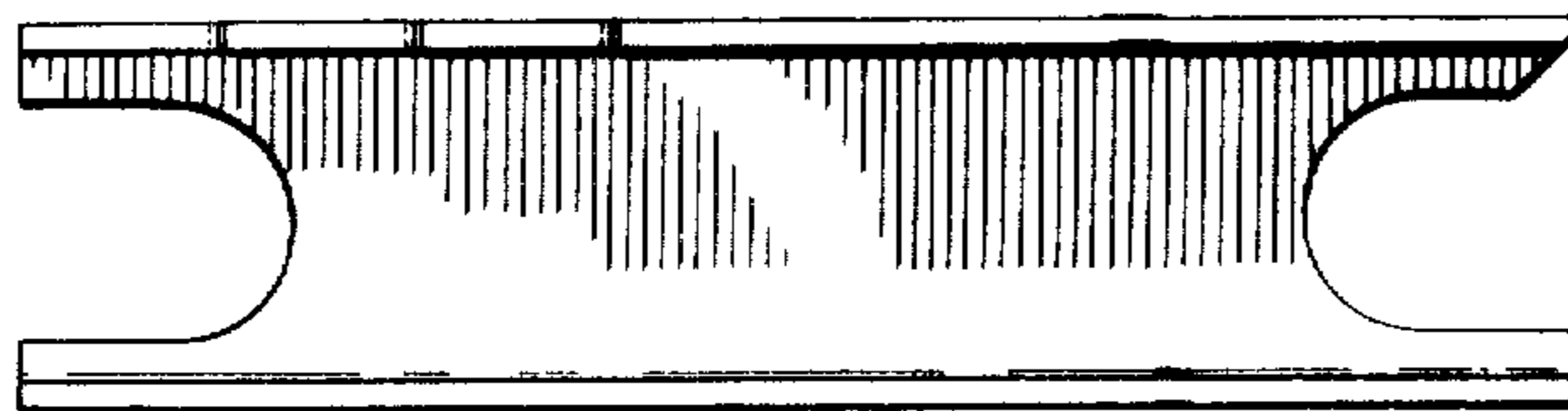
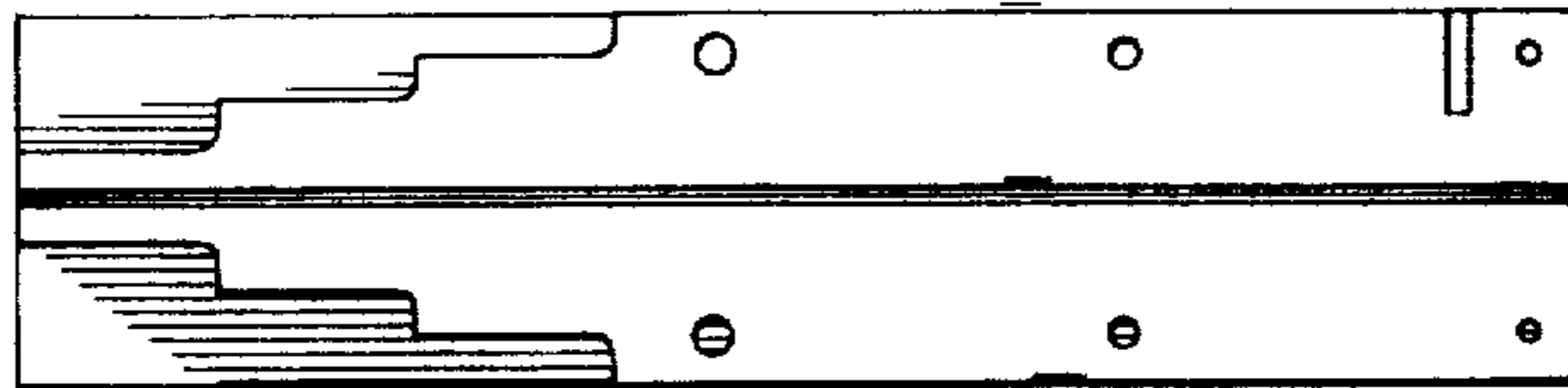


Fig. 3

Fig. 4

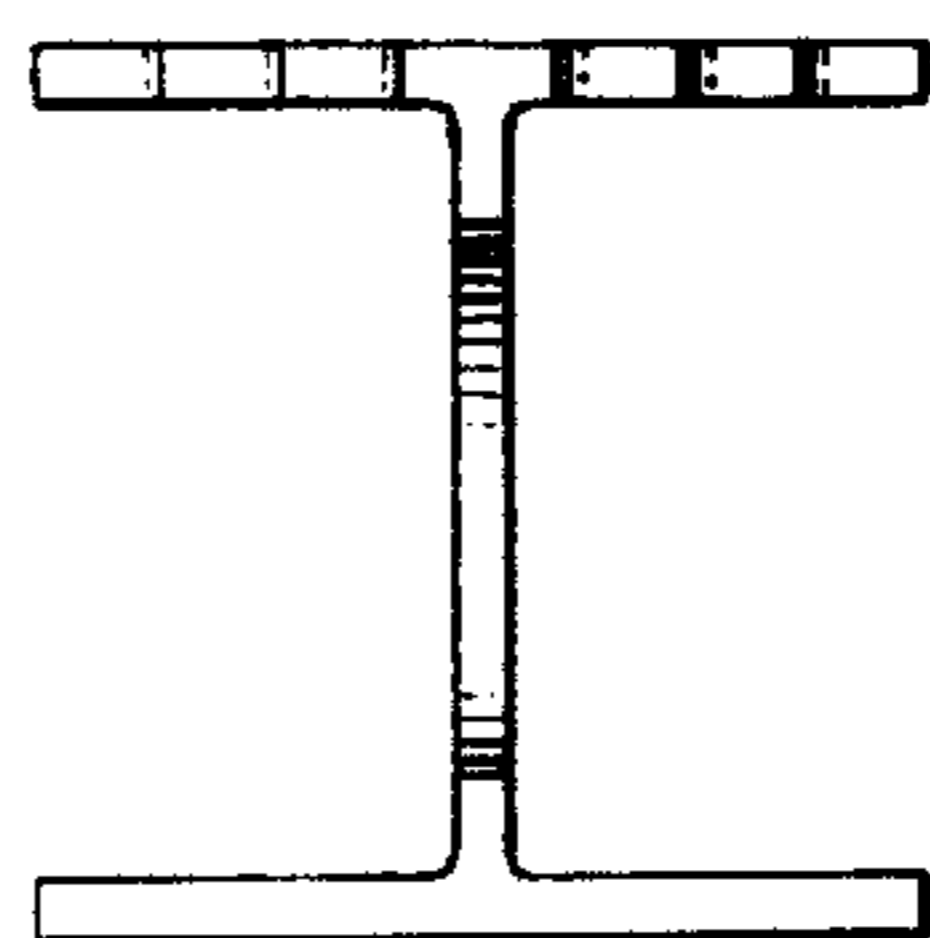
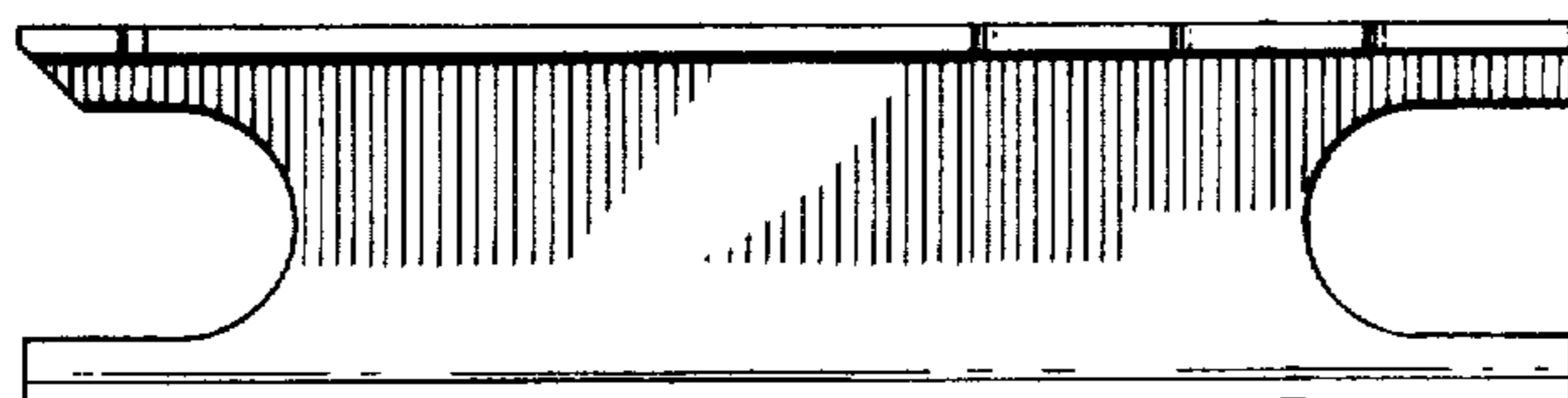


Fig. 5

Fig. 6

