

[54] PRESSURE COOKER

[75] Inventor: Bernard Pauty, Fontaine les Dijon, France

[73] Assignee: SEB S.A., Selongey, France

[**] Term: 14 Years

[21] Appl. No.: 91,475

[22] Filed: Nov. 2, 1979

[30] Foreign Application Priority Data

May 14, 1979 [FR] France 79 159

[51] Int. Cl. D7-02

[52] U.S. Cl. D7/86

[58] Field of Search D7/85, 86, 96, 97; 137/532; 219/440, 441, 442; 220/203, 298

[56] References Cited

U.S. PATENT DOCUMENTS

- D. 253,388 11/1979 Boldt et al. D7/86
- D. 256,759 9/1980 Johnson D7/97 X

OTHER PUBLICATIONS

"A Pressure Cooker, illustrated in a U.S. catalogue entitled ALDENS, p. 522, Autumn and Winter Edition 1978".

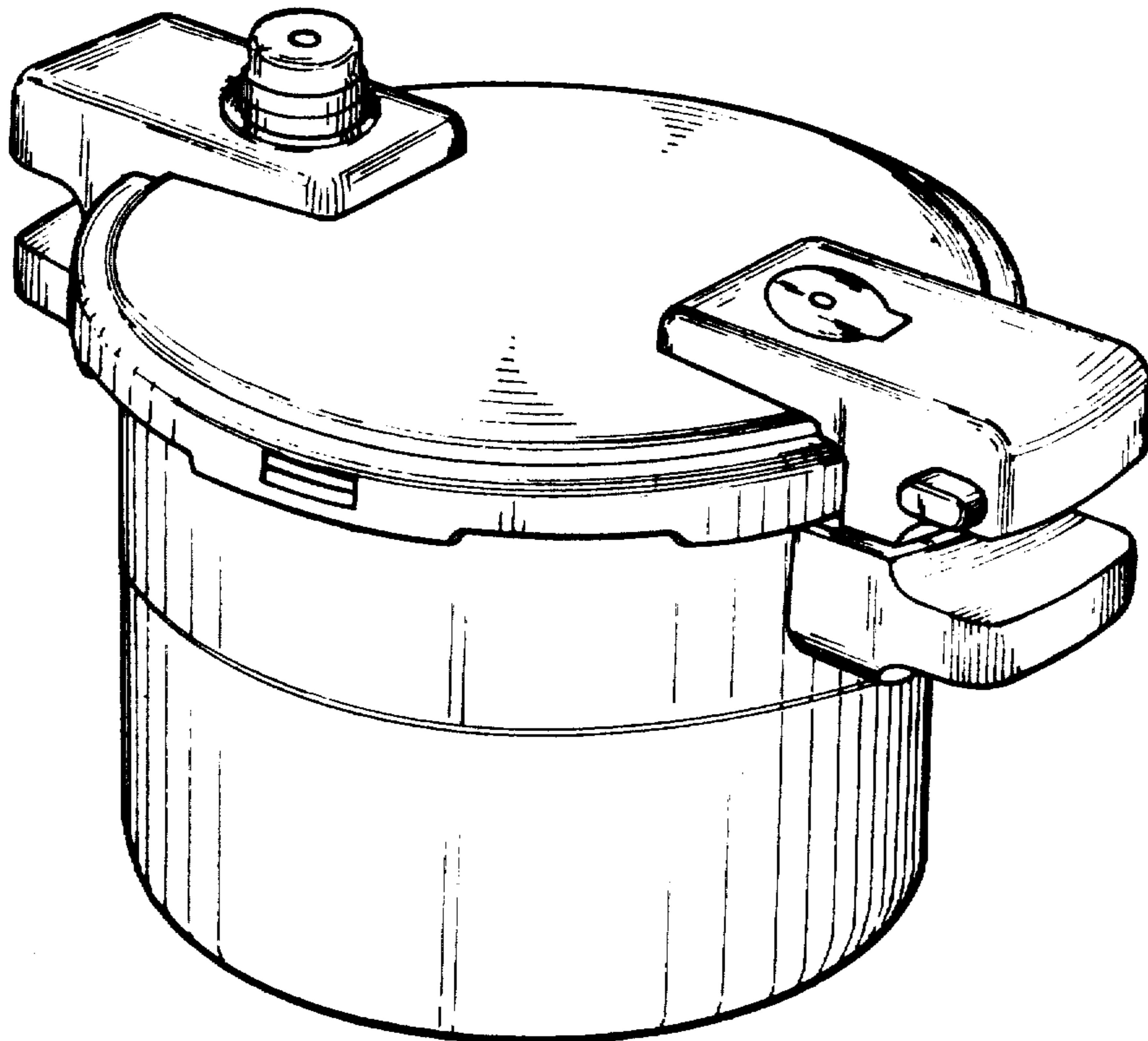
Primary Examiner—Leland A. Sebastian
Attorney, Agent, or Firm—Young & Thompson

[57] CLAIM

The ornamental design for a pressure cooker, as shown.

DESCRIPTION

FIG. 1 is a front elevational view of a pressure cooker, showing my new design;
 FIG. 2 is a rear elevational view thereof;
 FIG. 3 is a side view thereof;
 FIG. 4 is a side view thereof, opposite FIG. 3;
 FIG. 5 is a top plan view thereof;
 FIG. 6 is a bottom plan view thereof;
 FIG. 7 is a top perspective view thereof; and
 FIG. 8 is a top perspective view thereof, opposite FIG. 7.



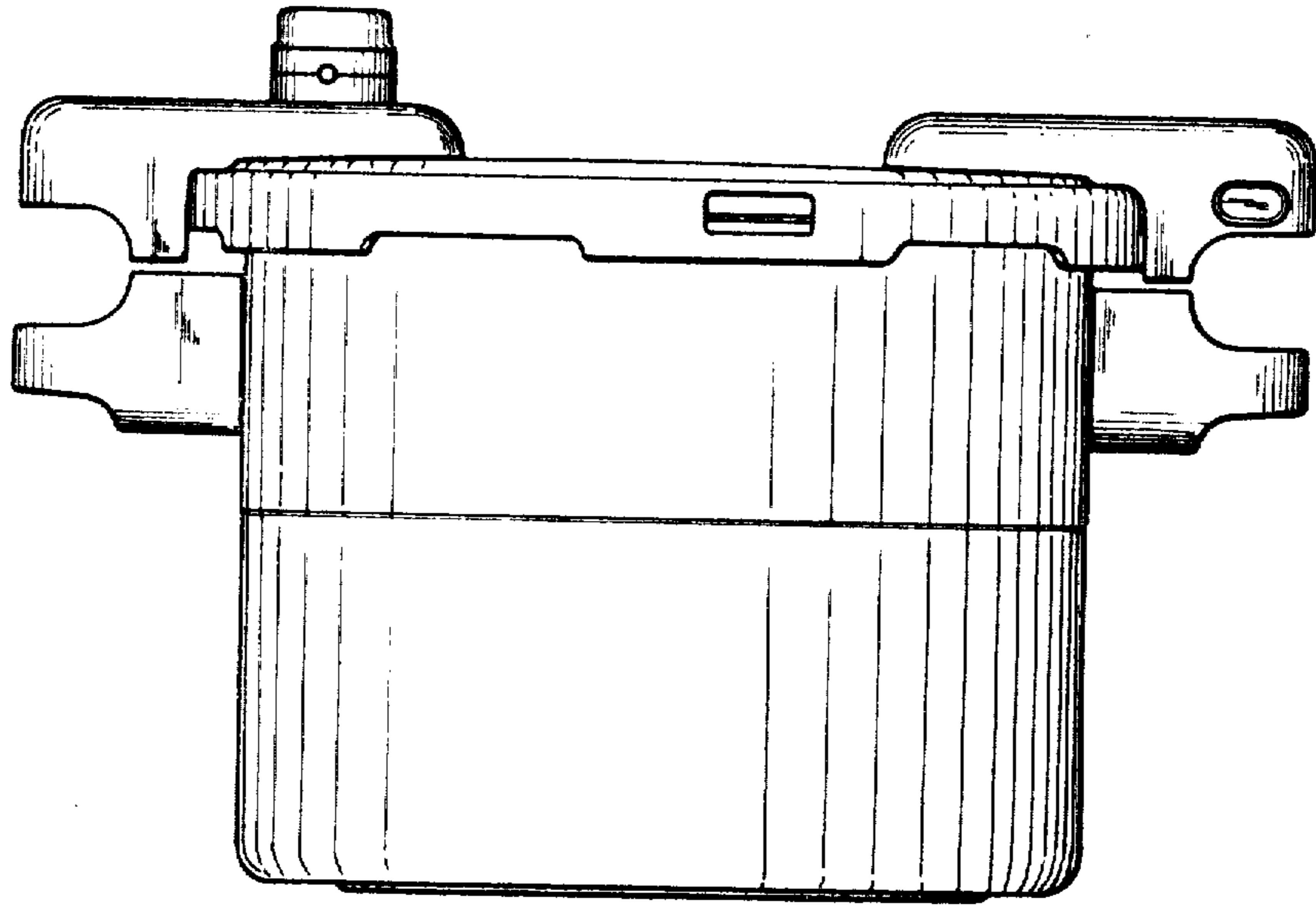


FIG. 1

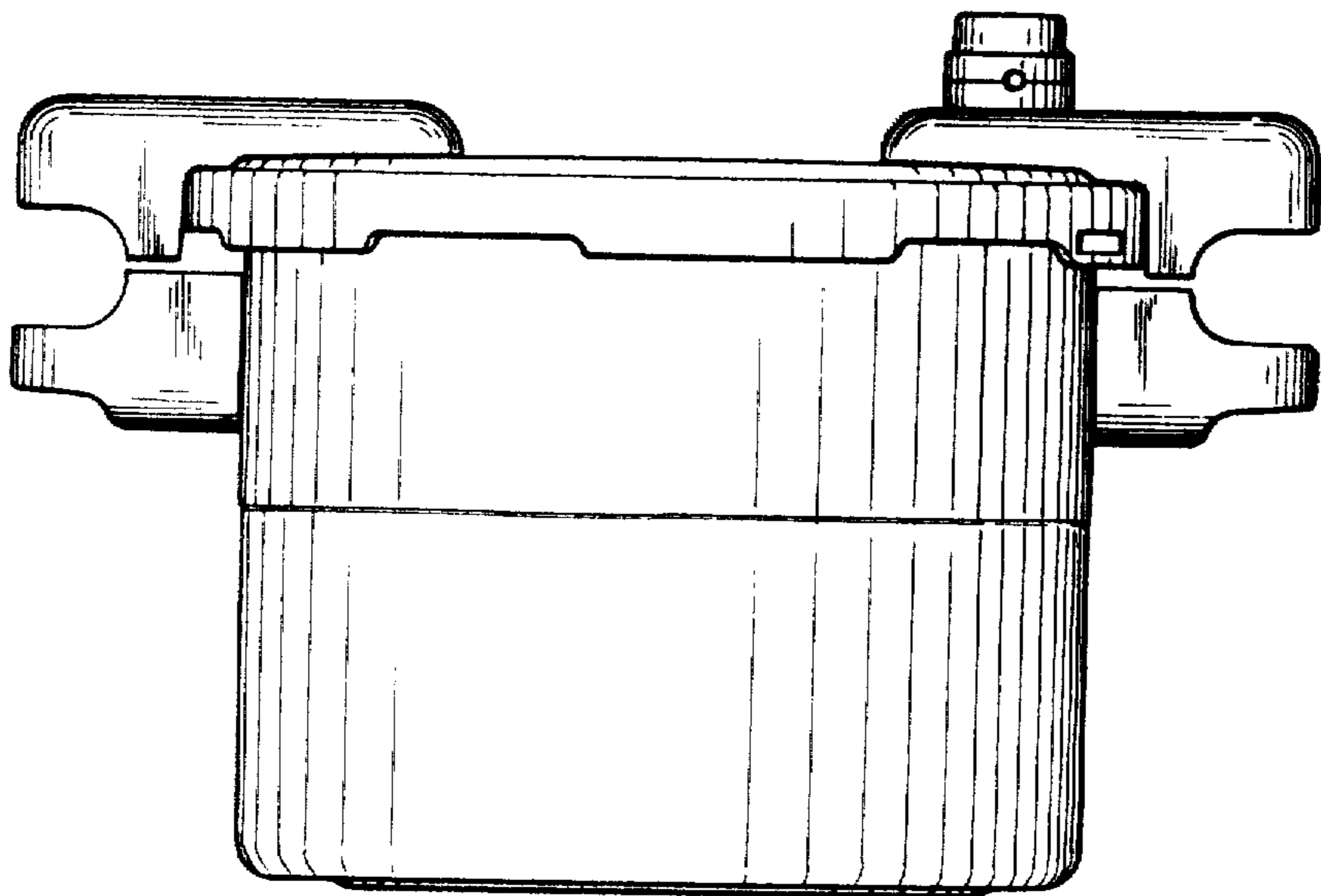


FIG. 2

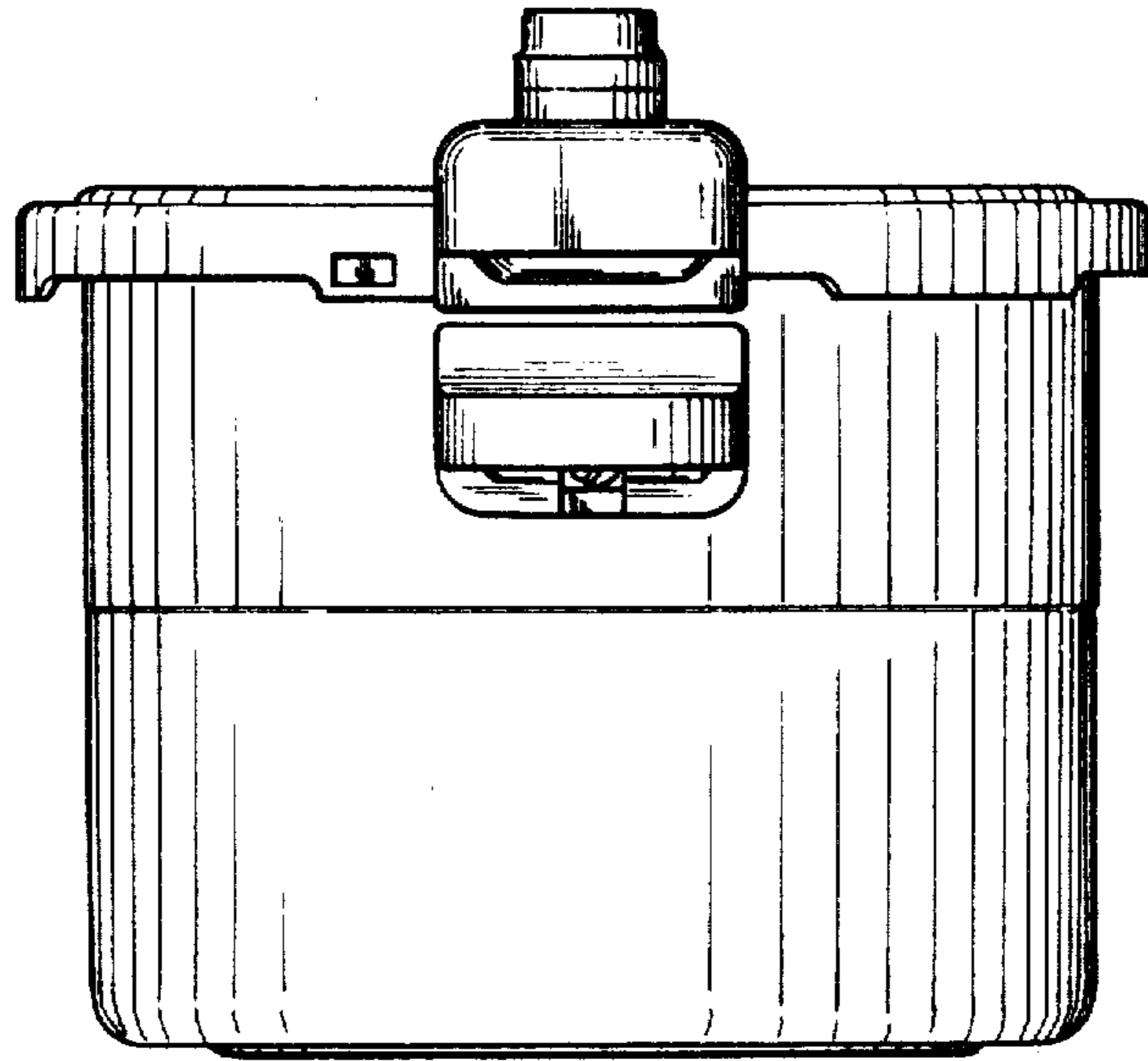


FIG. 3

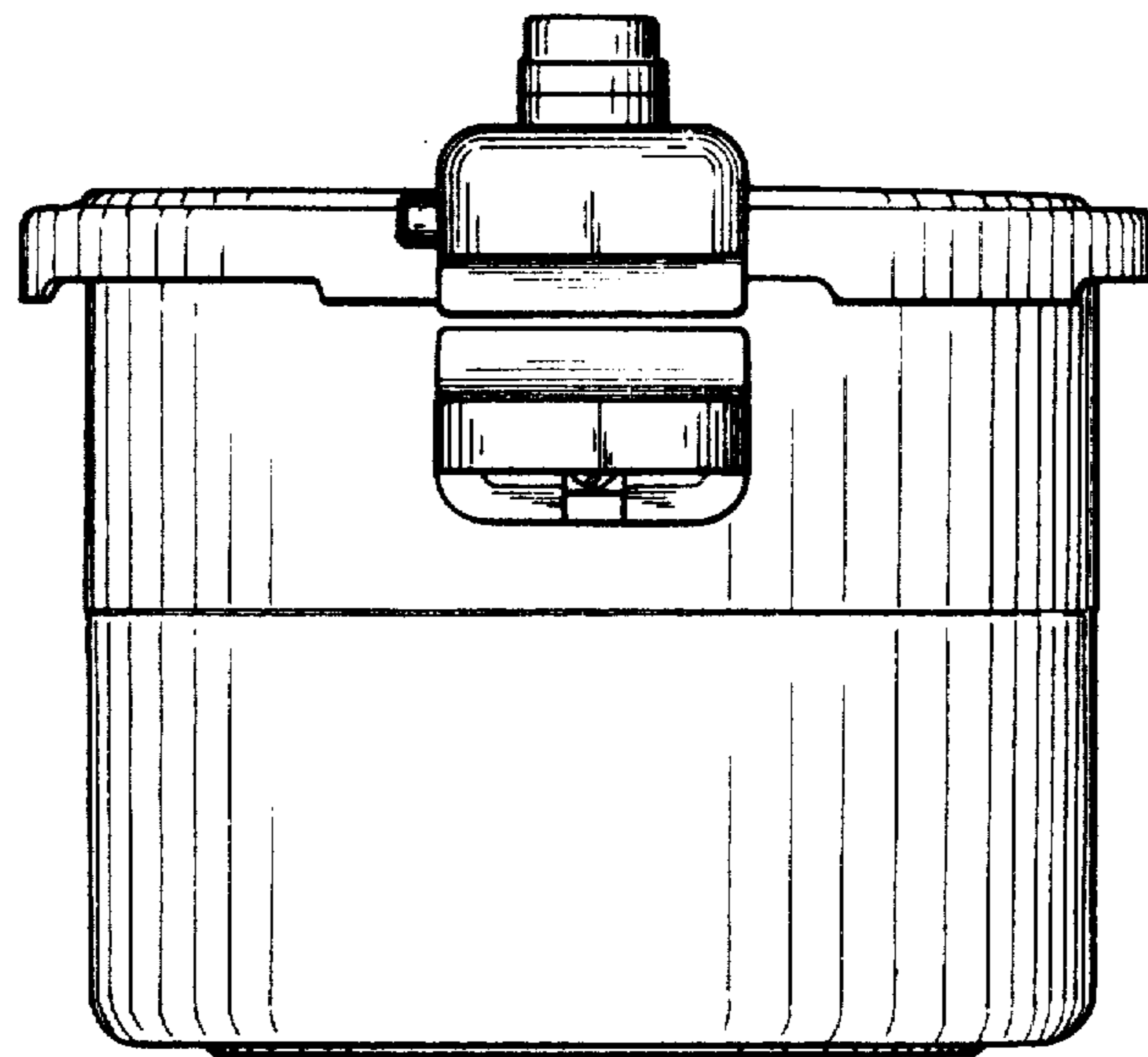


FIG. 4

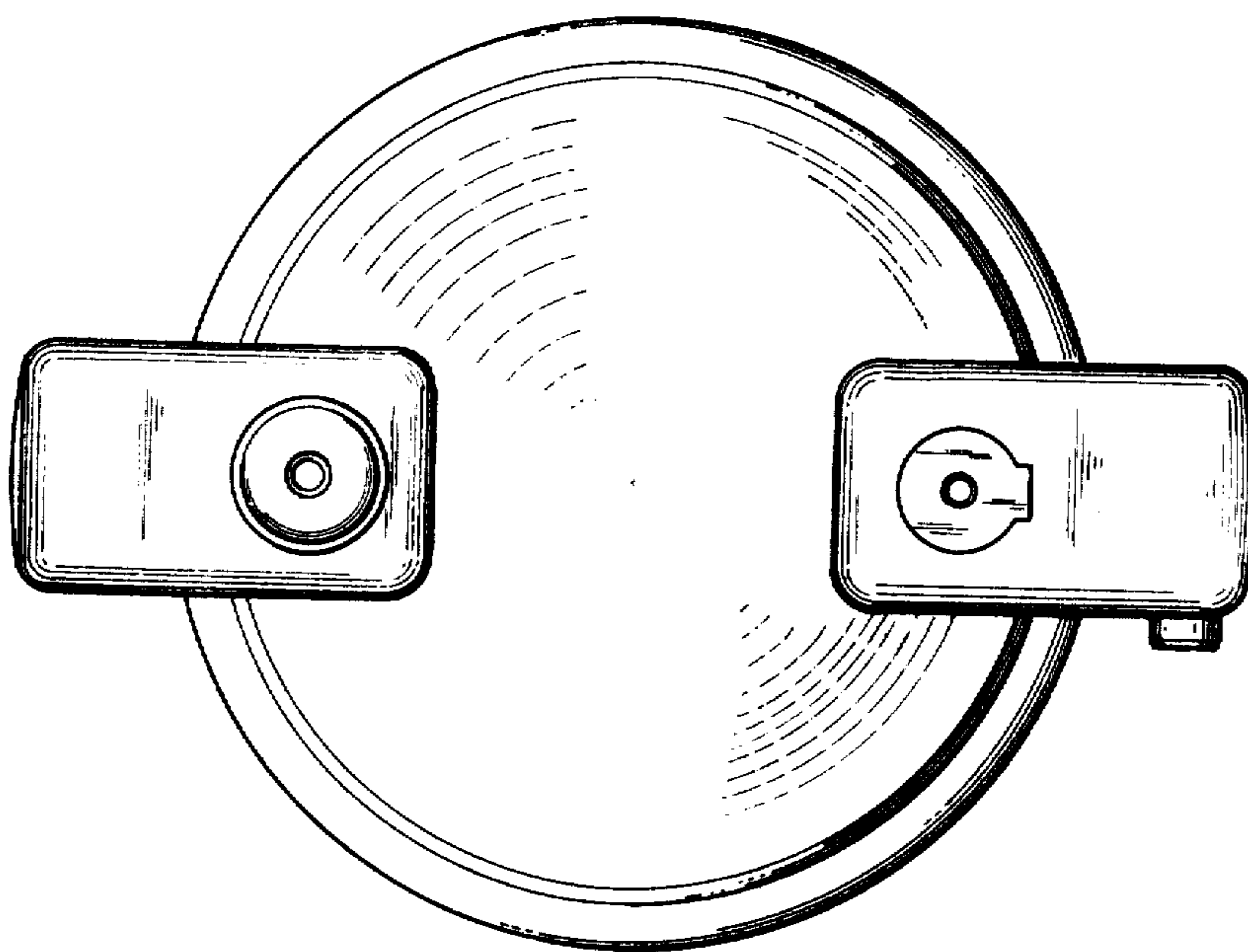


FIG. 5

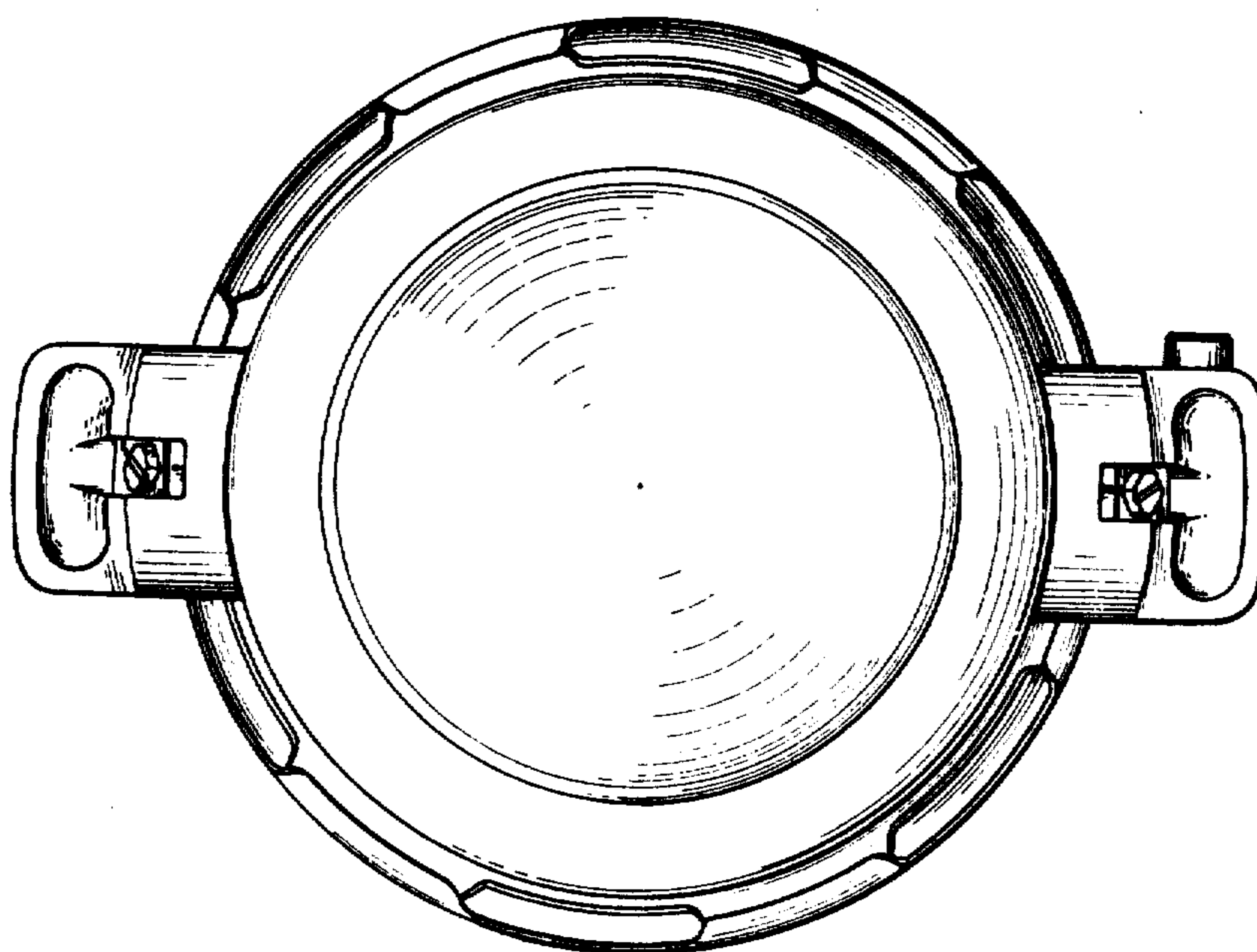


FIG. 6

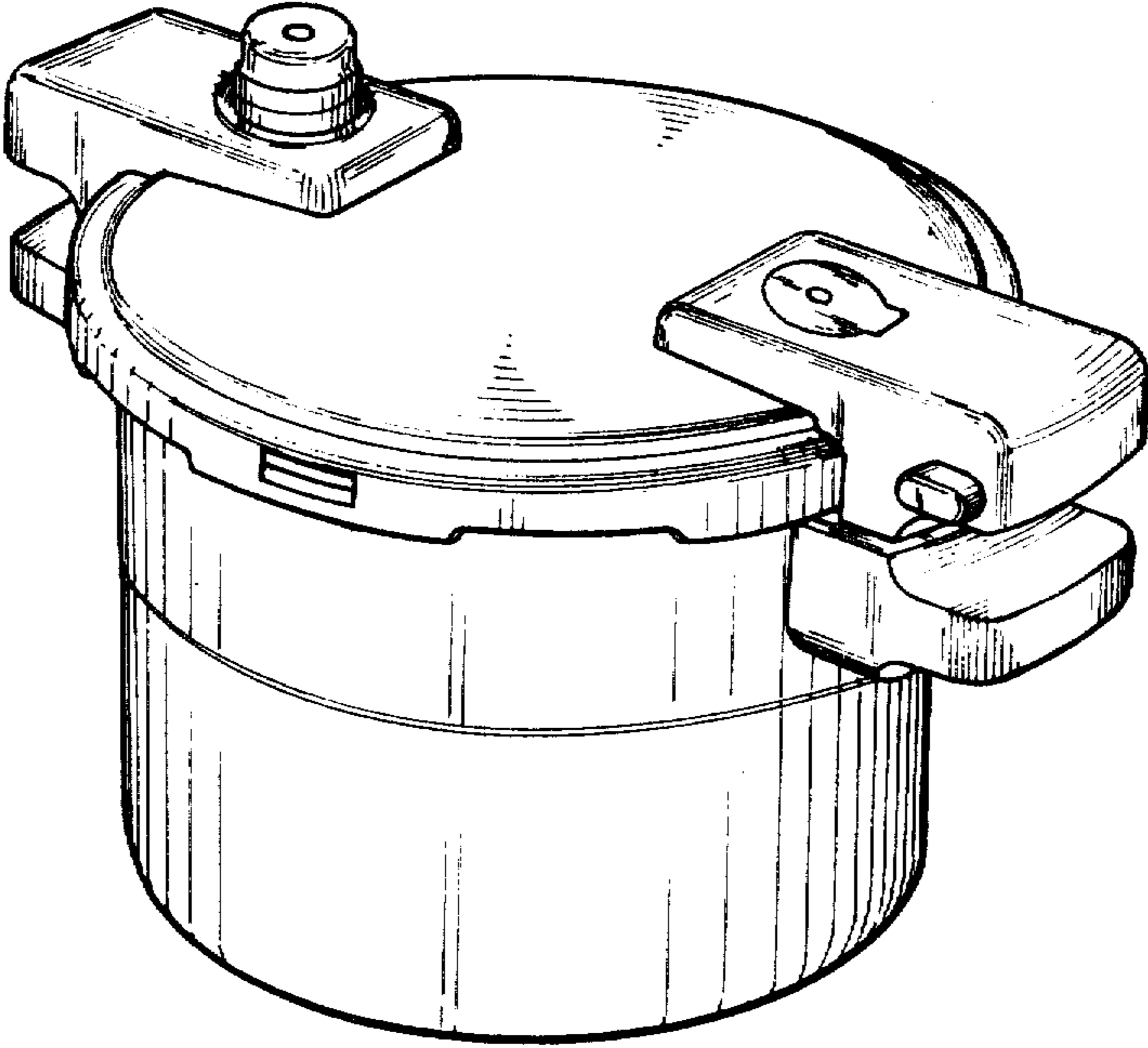


FIG. 7

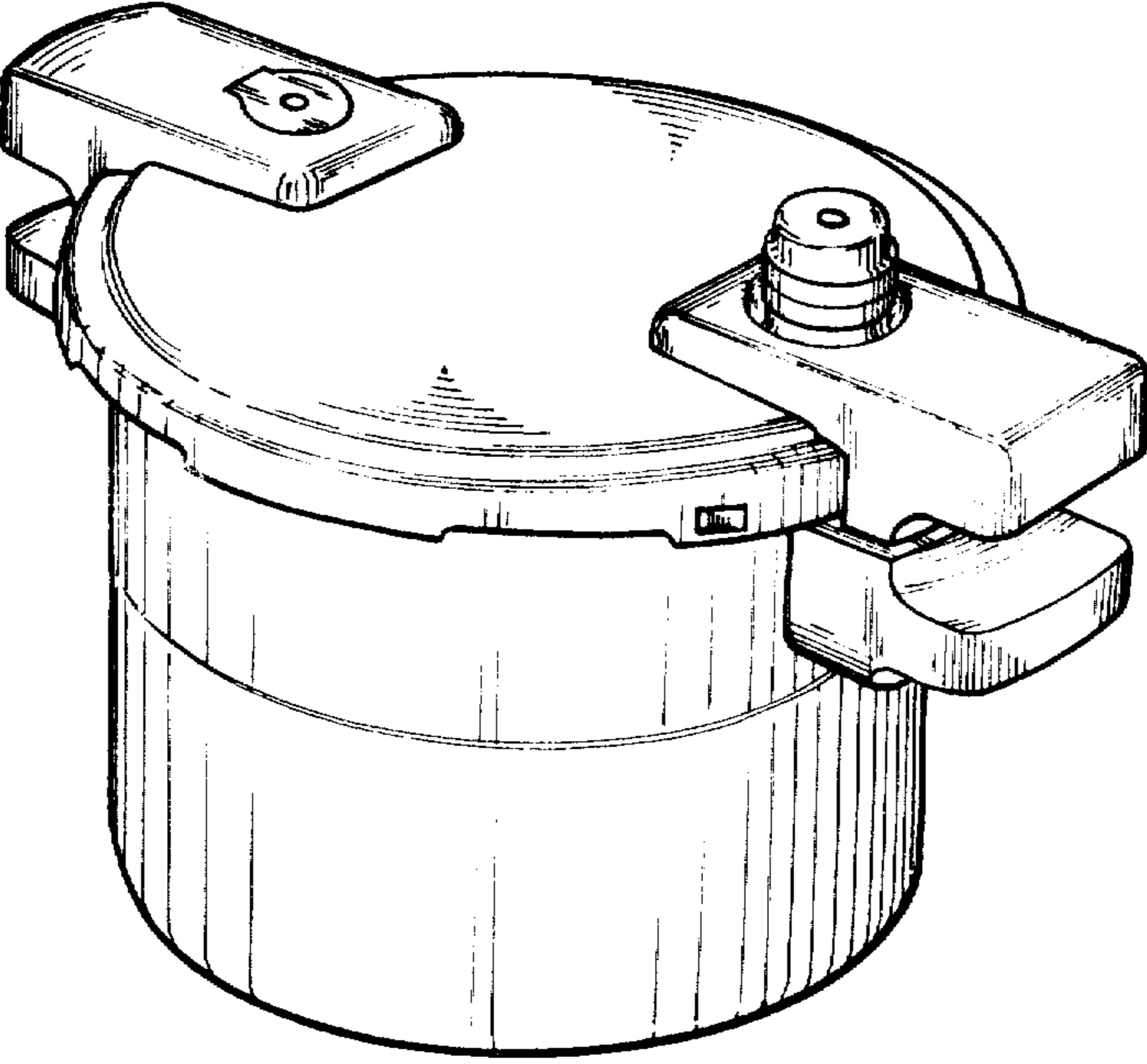


FIG. 8