

[54] TABLE

[75] Inventor: Richard G. Brown, High Point, N.C.

[73] Assignee: Null Manufacturing Corporation, Maiden, N.C.

[**] Term: 7 Years

[21] Appl. No.: 124,980

[22] Filed: Feb. 27, 1980

[51] Int. Cl. D6-03

[52] U.S. Cl. D6/177

[58] Field of Search D6/20, 27, 146-149, D6/177-179, 58, 59, 156, 157, 159

[56] References Cited

U.S. PATENT DOCUMENTS

- D. 240,690 7/1976 Zagarli D6/177
- D. 244,644 6/1977 Null D6/58

OTHER PUBLICATIONS

The Ethan Allen, *Treasury of Early American Furniture*, 63rd Edition, p. 77, 12/63.

Rowe, *First in Fashion*, p. E, 453, 9/75.

Primary Examiner—Lester L. Lee

Attorney, Agent, or Firm—Bell, Seltzer, Park & Gibson

[57] CLAIM

The ornamental design for a table, as shown and described.

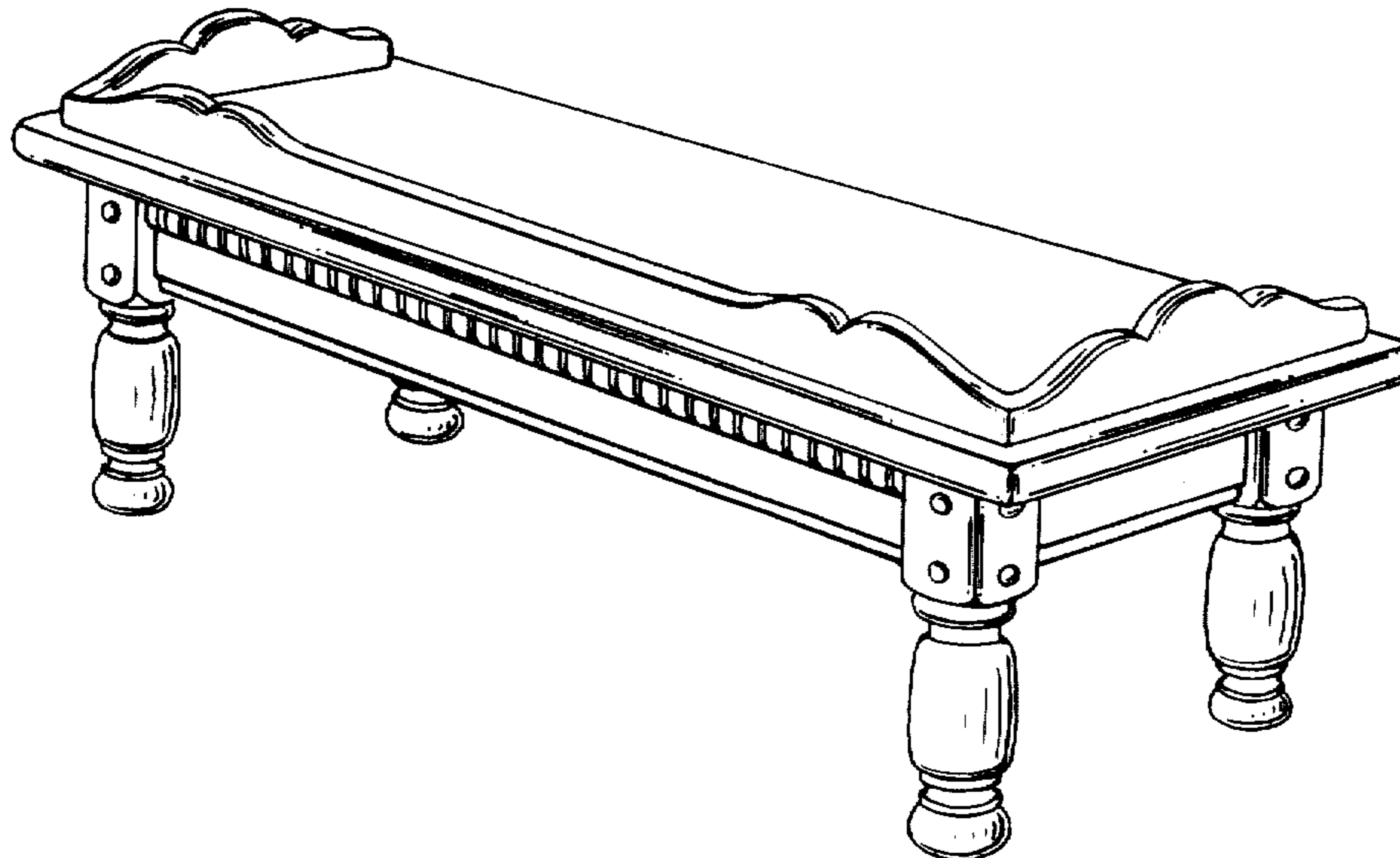
DESCRIPTION

FIG. 1 is a front perspective view of a table showing my new design incorporated therein;

FIG. 2 is a rear elevational view of the table showing my new design; and

FIG. 3 is an end elevational view of the table showing my new design.

The ends and sides of the table, not shown, are mirror images of the respective ends and sides shown.



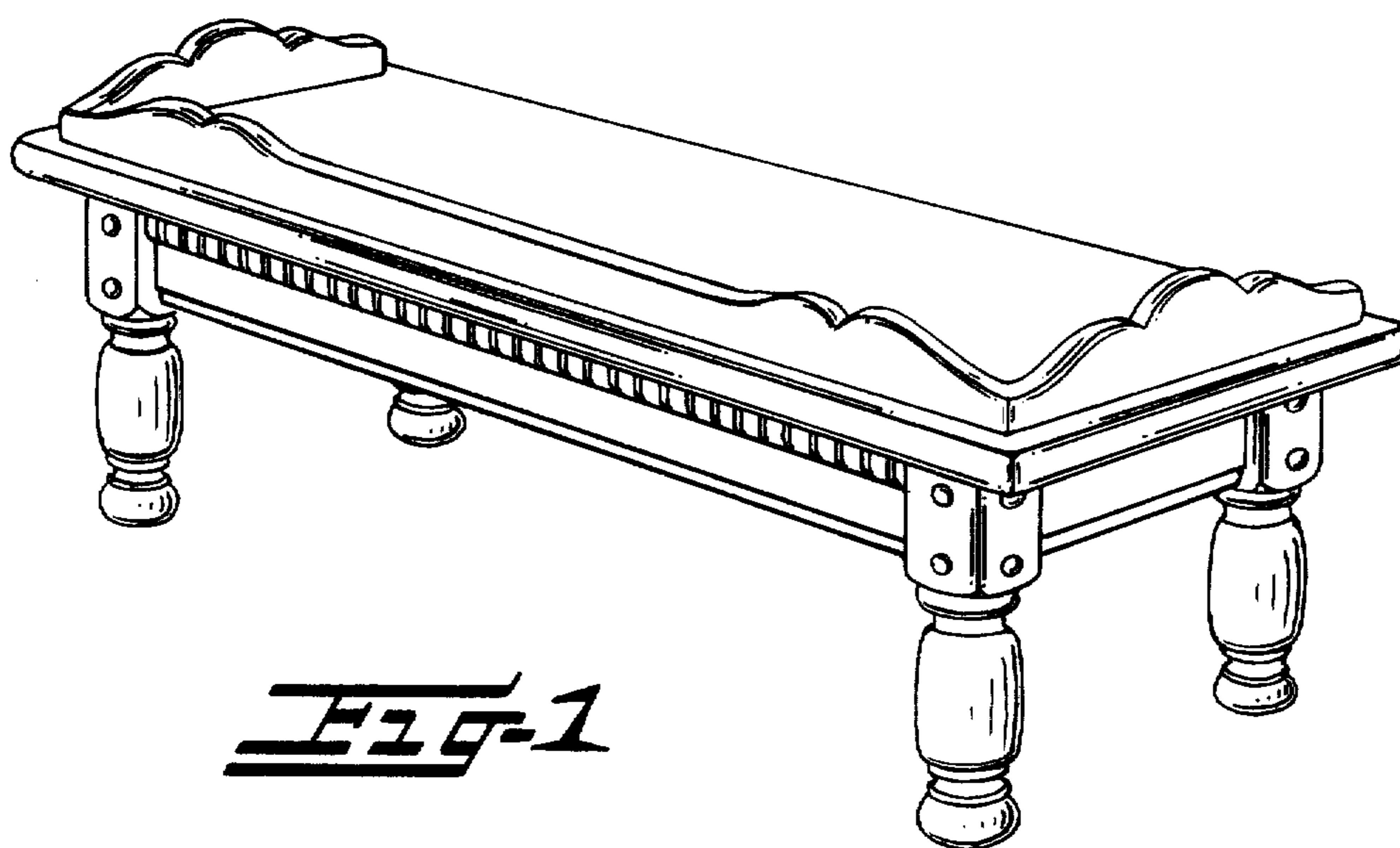


FIG-1

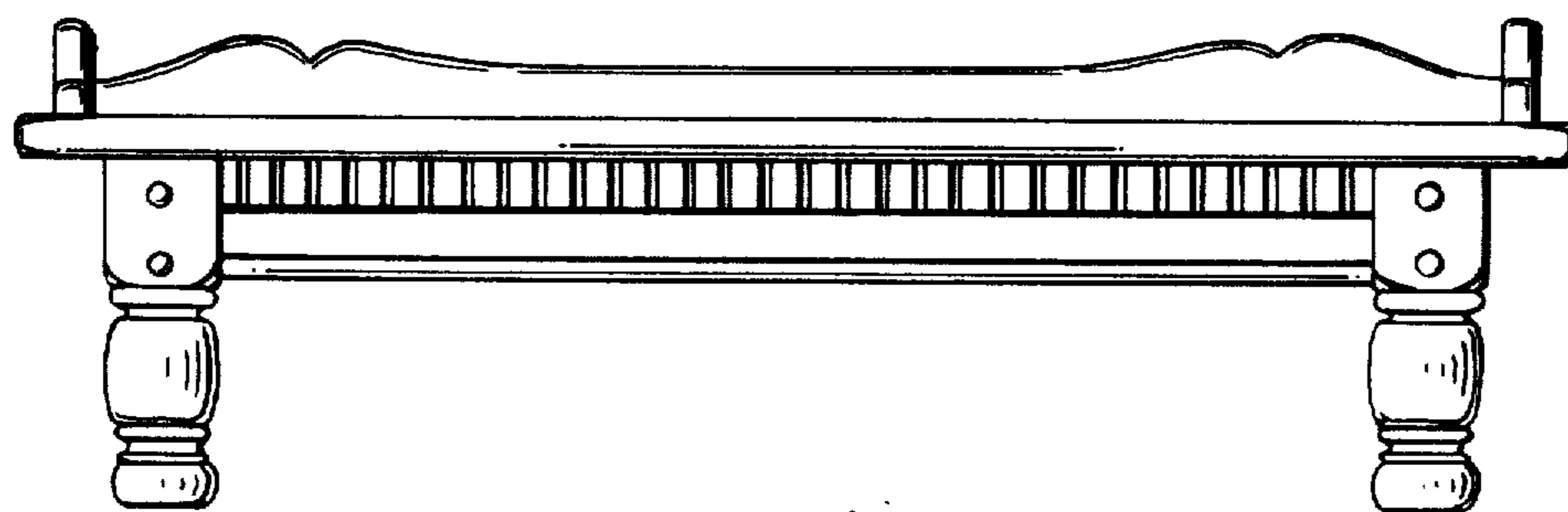


FIG-2

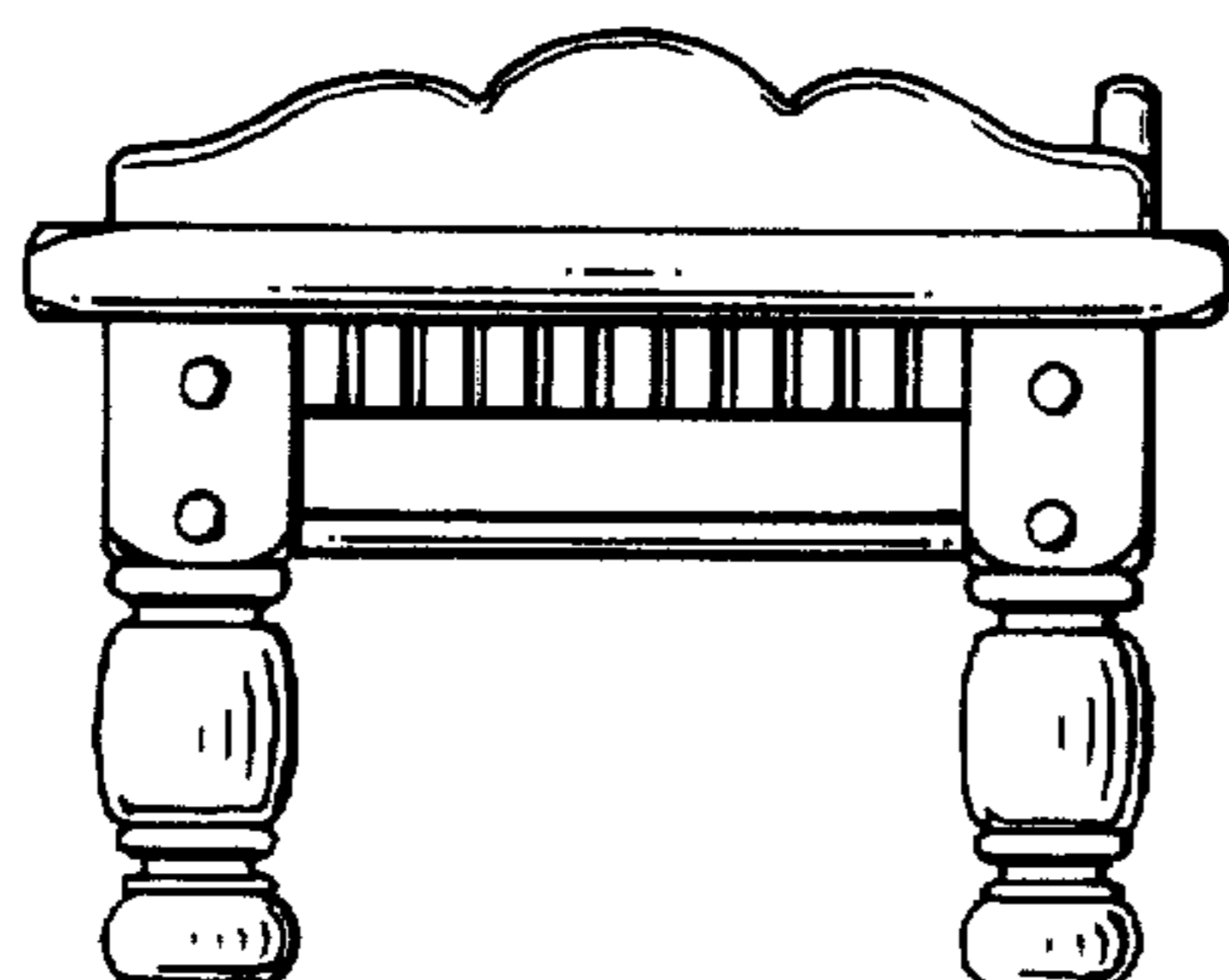


FIG-3