

- [54] **COMBINED ROTATING CAFETERIA TYPE FOOD SERVICE COUNTER AND CAP**
- [75] Inventor: **Donald R. Barnhill**, Hamilton, Ohio
- [73] Assignee: **B & W Metals Company, Inc.**, Fairfield, Ohio
- [**] Term: **14 Years**
- [21] Appl. No.: **64,483**
- [22] Filed: **Aug. 6, 1979**
- [51] Int. Cl. **D6—03; D6—04**
- [52] U.S. Cl. **D6/146**
- [58] Field of Search **D6/144, 146, 157, 188; 186/38, 44, 57; 312/140.1, 140.2, 140.3, 140.4, 186, 187**

[56] **References Cited**

U.S. PATENT DOCUMENTS

D. 240,100	6/1976	Weddendorf	D6/146
D. 240,378	7/1976	Weddendorf	D6/146
2,815,539	12/1957	Schneider	186/38
3,847,250	11/1974	Sherrill	186/44
4,007,810	2/1977	Weddendorf	186/44

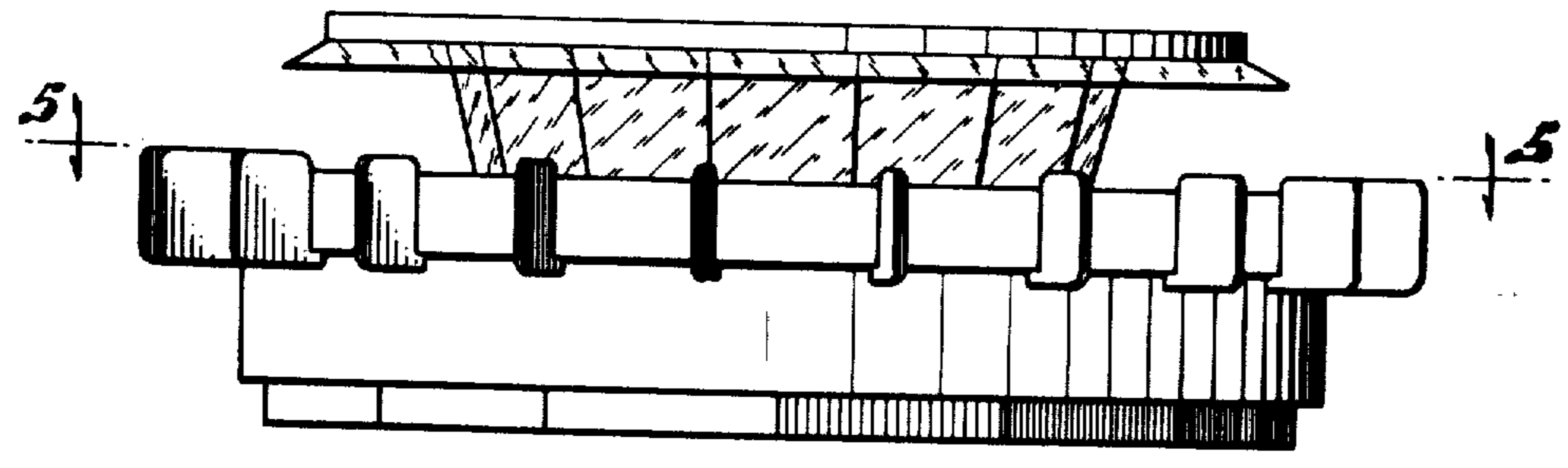
Primary Examiner—Peter M. Caun
Attorney, Agent, or Firm—Wood, Herron & Evans

[57] **CLAIM**

The ornamental design for a combined rotating cafeteria food service counter and cap, substantially as shown and described.

DESCRIPTION

FIG. 1 is a front elevational view of a rotating cafeteria type food service counter and cap showing my new design;
 FIG. 2 is a top plan view of the embodiment shown in FIG. 1;
 FIG. 3 is a right side elevational view of the embodiment shown in FIG. 1, with the left side elevational view being a mirror image of the right side elevational view;
 FIG. 4 is a rear elevational view of the embodiment shown in FIG. 1;
 FIG. 5 is a cross sectional view taken along line 4—4 of FIG. 1; and
 FIG. 6 is a bottom view of the embodiment shown in FIG. 1.



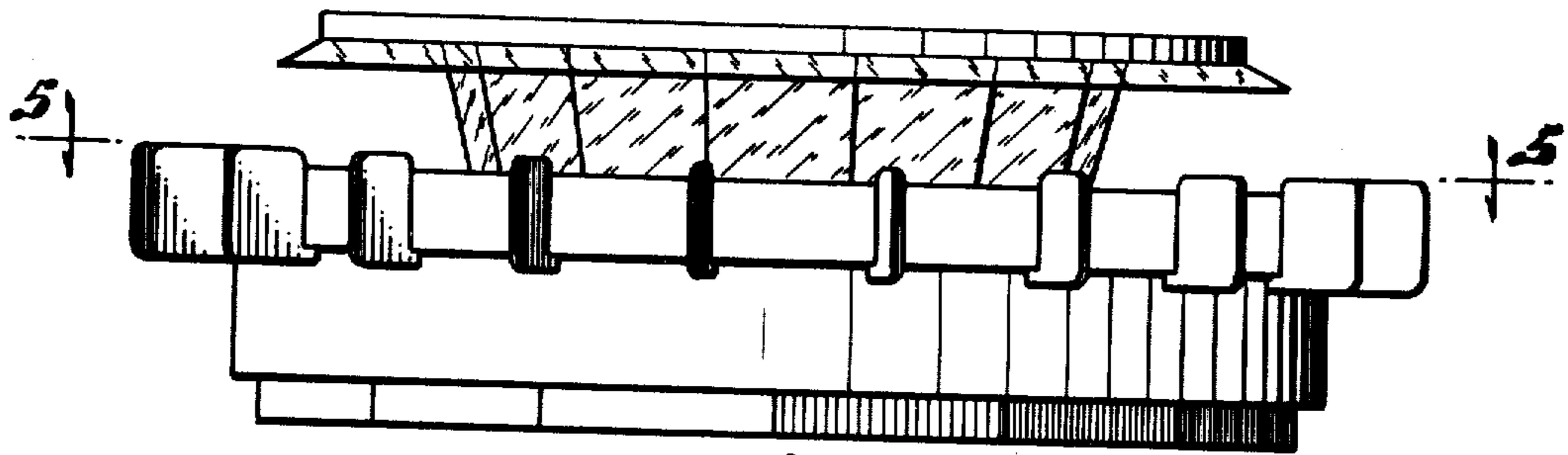


Fig. 1

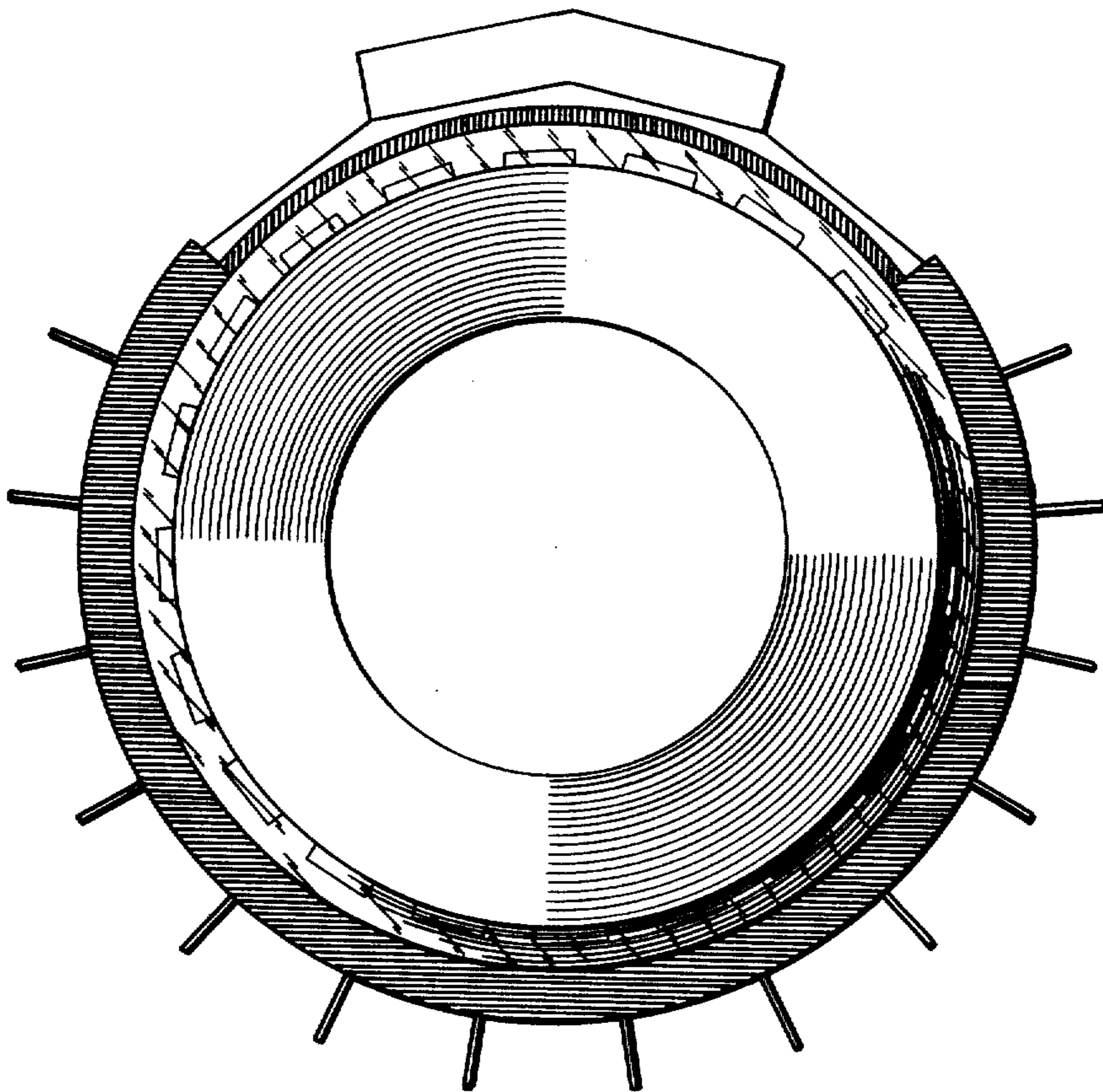


Fig. 2

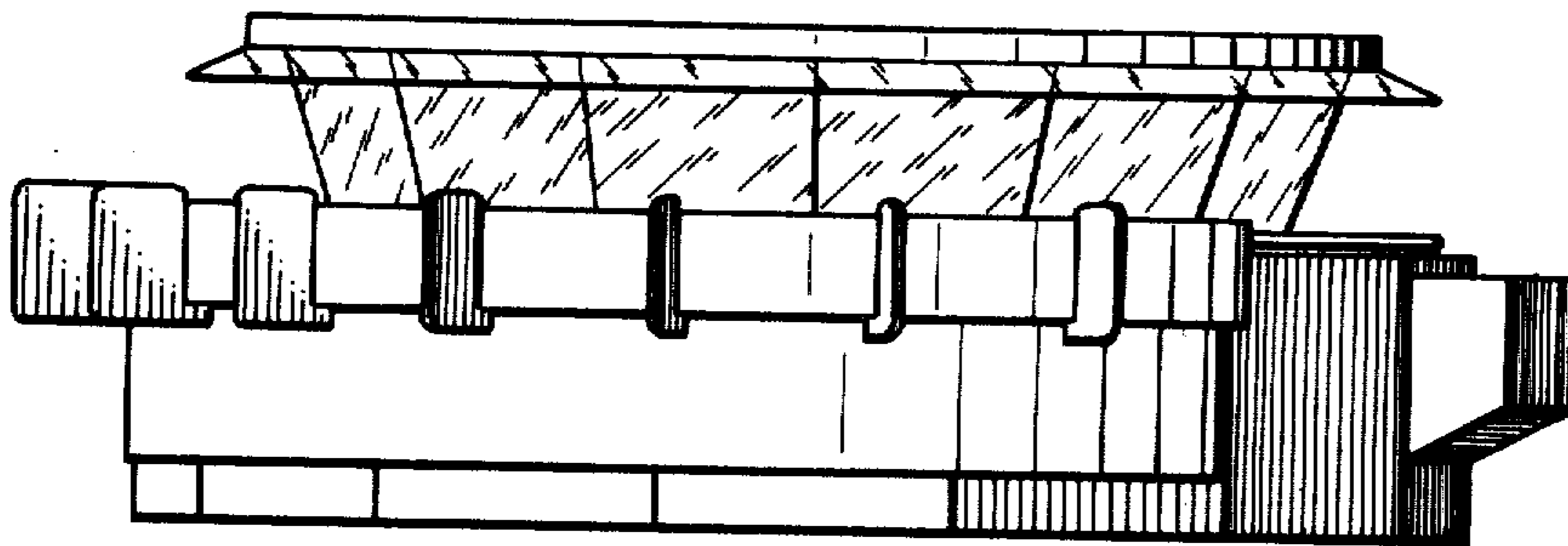


Fig. 3

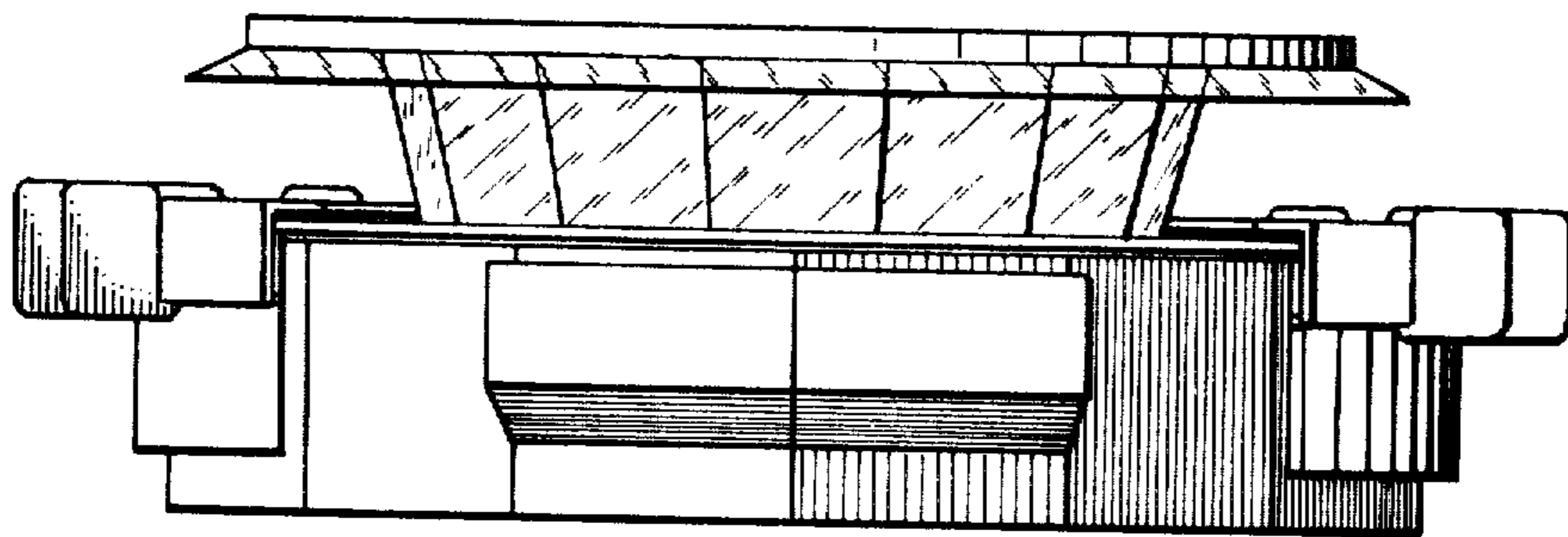


Fig. 4

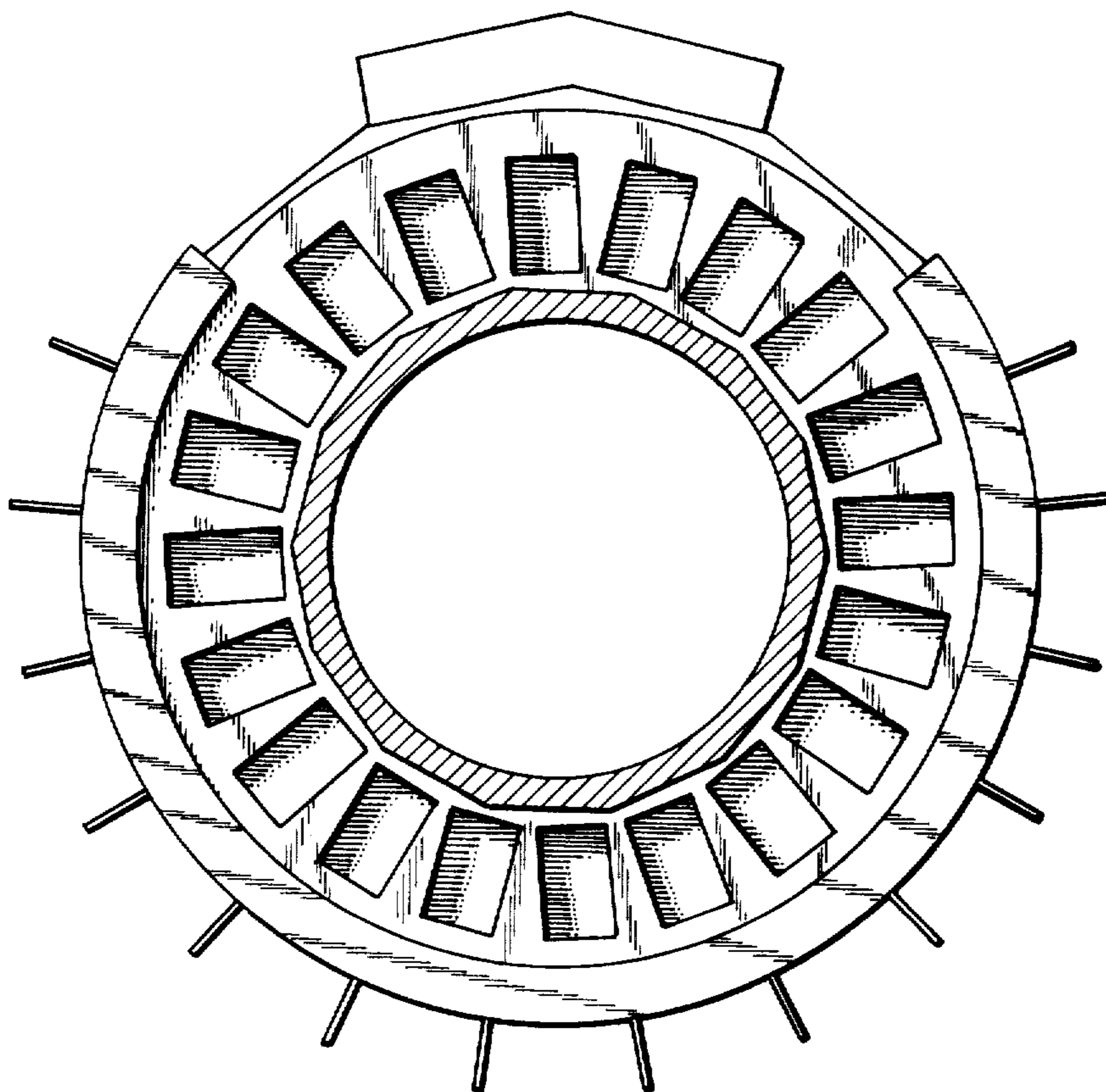


Fig. 5

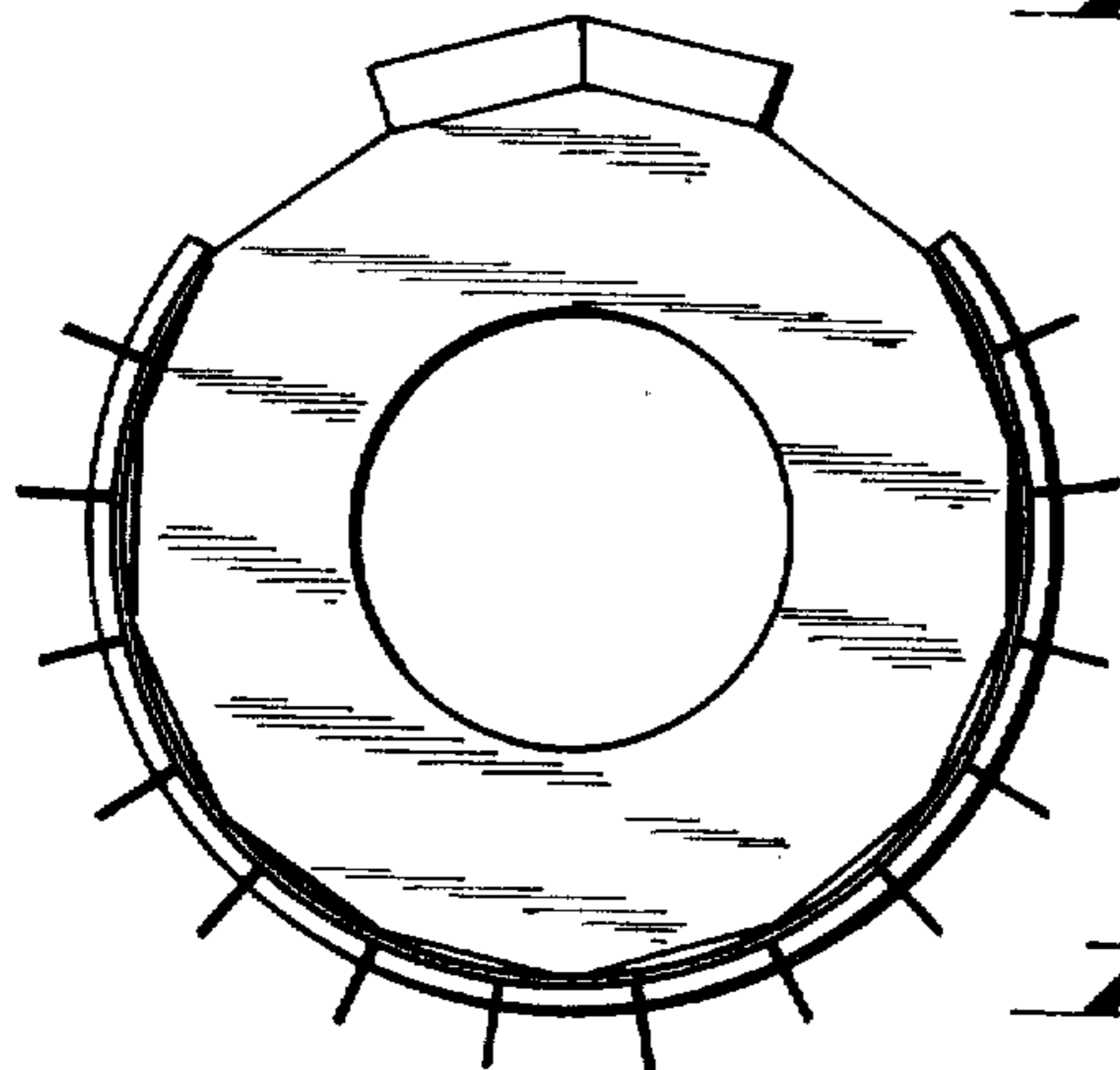


Fig. 6