

[54] **INTRAVENOUS SUPPLY CONTAINER
SUPPORT OR THE LIKE**

[75] Inventor: **Robert W. Ogle**, Newport Beach,
Calif.
[73] Assignee: **IMS Limited**, So. El Monte, Calif.
[**] Term: **14 Years**
[21] Appl. No.: **69,701**
[22] Filed: **Aug. 27, 1979**

[51] Int. Cl. **D24—02**
[52] U.S. Cl. **D24/99; D24/48;**
D24/54; D9/455
[58] Field of Search 248/318, 311.3, 359;
141/27; D9/455, 369; D24/99, 48, 54

[56] **References Cited**

U.S. PATENT DOCUMENTS

2,825,521 3/1958 Nessel et al. 248/311.3 X
3,366,360 1/1968 Burke 248/318
3,709,372 1/1973 Alexander 248/318 X
3,807,679 4/1974 Burke et al. 248/359

3,865,339 2/1975 von Alven 248/318
4,005,844 2/1977 Richmond 248/311.3

Primary Examiner—Bernard Ansher
Attorney, Agent, or Firm—Joseph E. Mueth

[57] **CLAIM**

The ornamental design for an intravenous supply container support or the like, as shown and described.

DESCRIPTION

FIG. 1 is a top perspective view of an intravenous supply container support or the like, showing my new design;
FIG. 2 is an enlarged perspective view thereof;
FIG. 3 is a front elevation thereof;
FIG. 4 is a side elevation thereof;
FIG. 5 is a top plan view thereof;
FIG. 6 is a bottom plan view thereof;
FIG. 7 is a cross-section taken on line 7—7 of FIG. 3; and
FIG. 8 is a cross-section taken on line 8—8 of FIG. 5.
The broken lines are shown for illustrative purposes only.

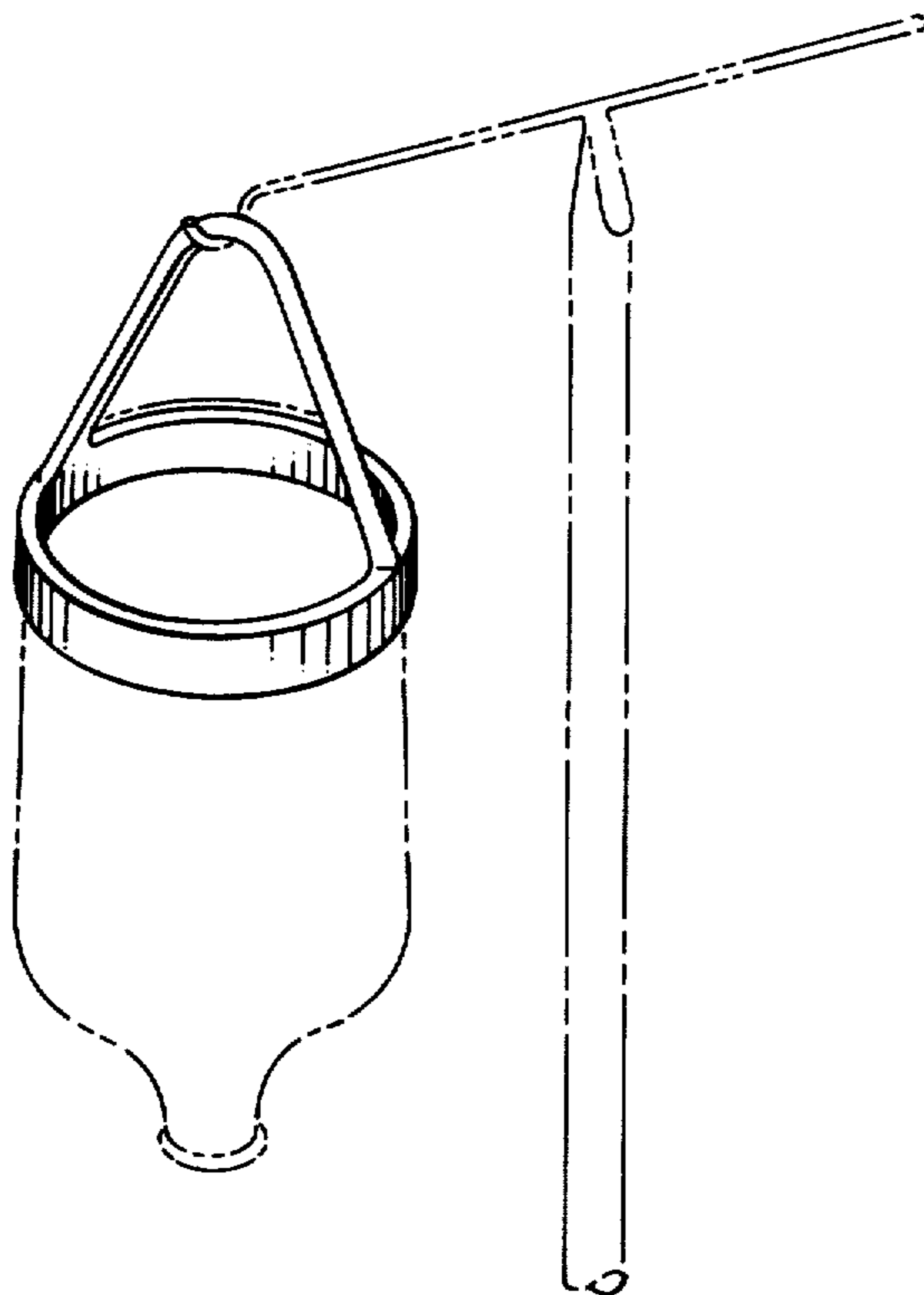


FIG.-1

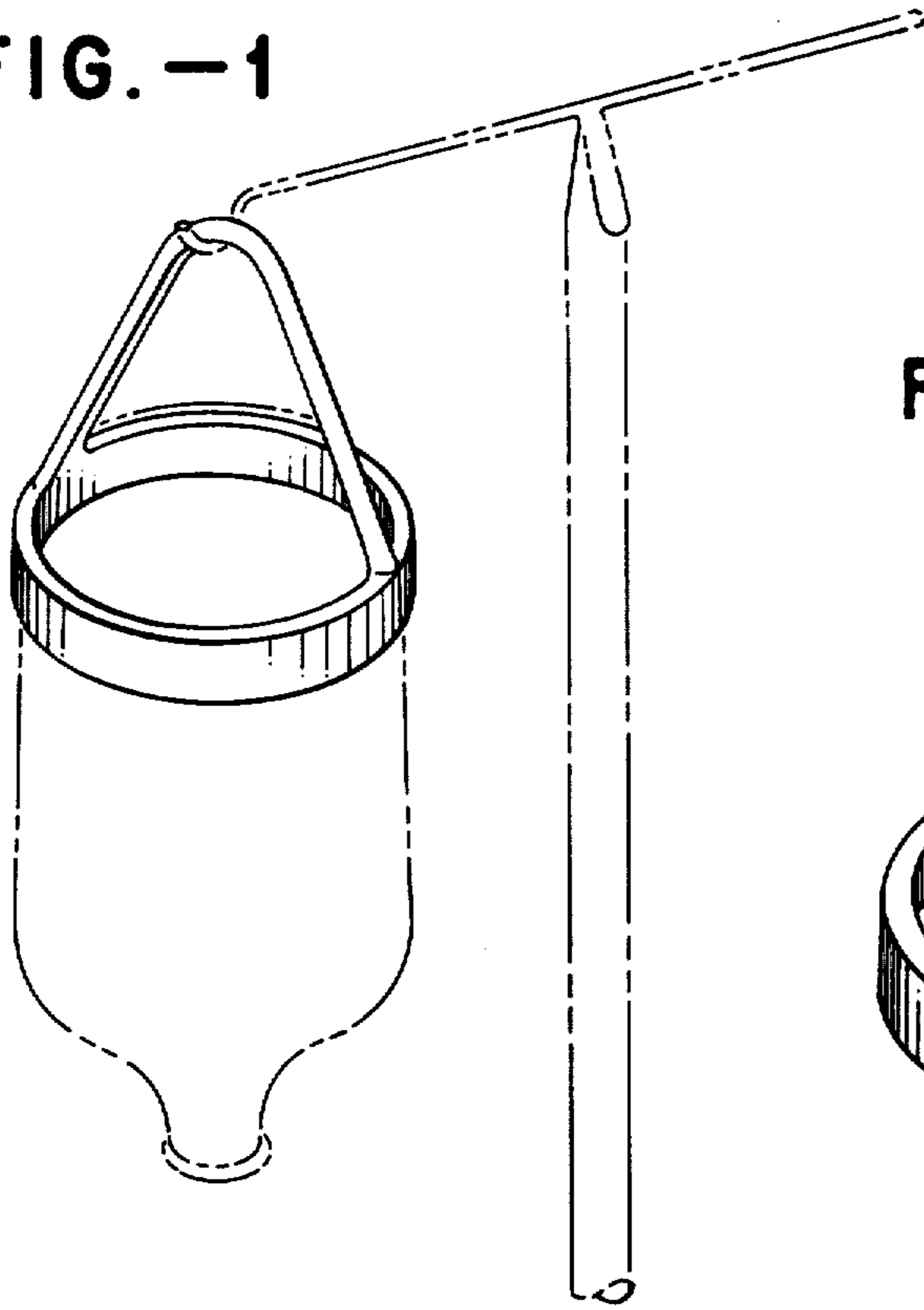


FIG.-2

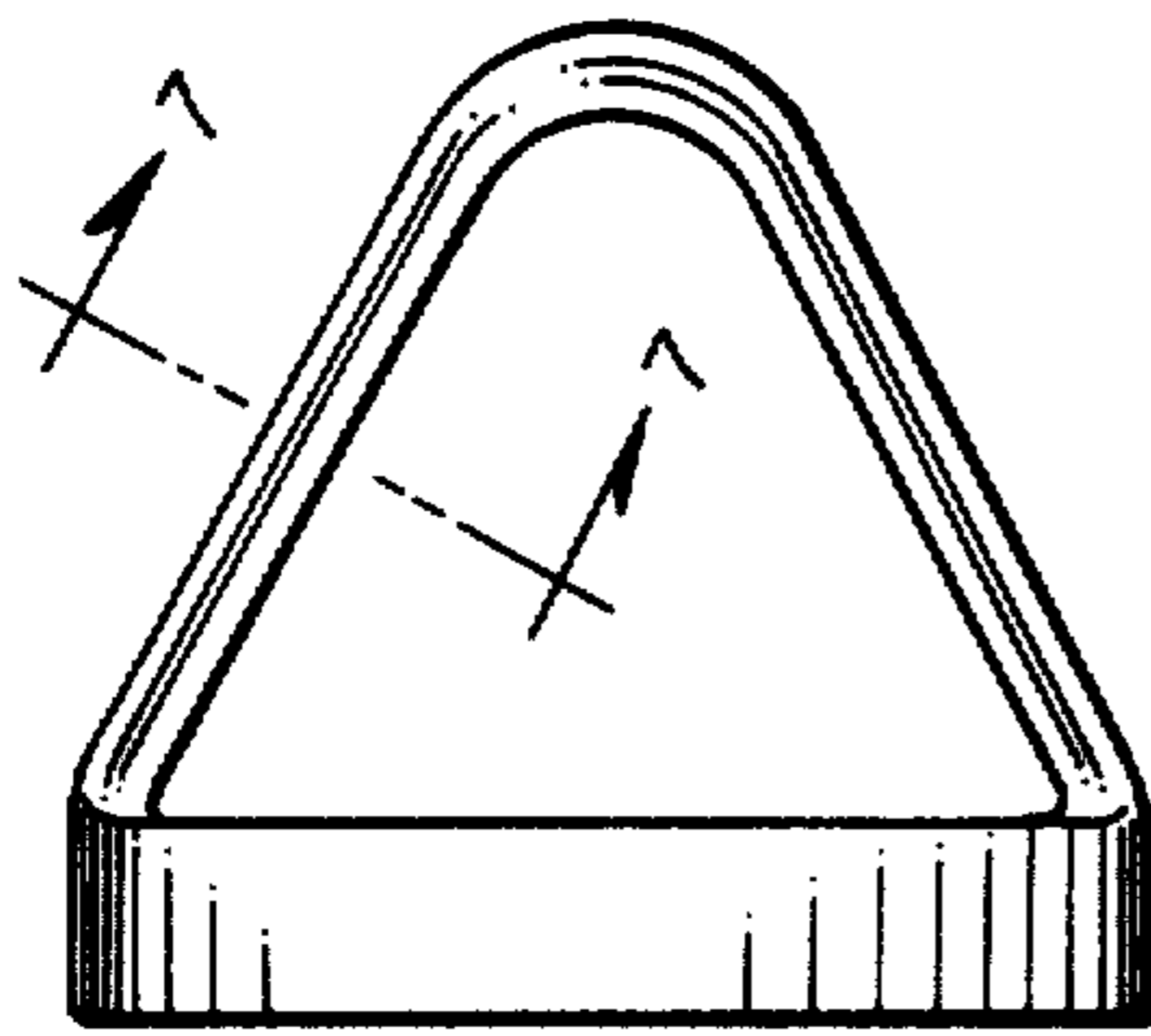
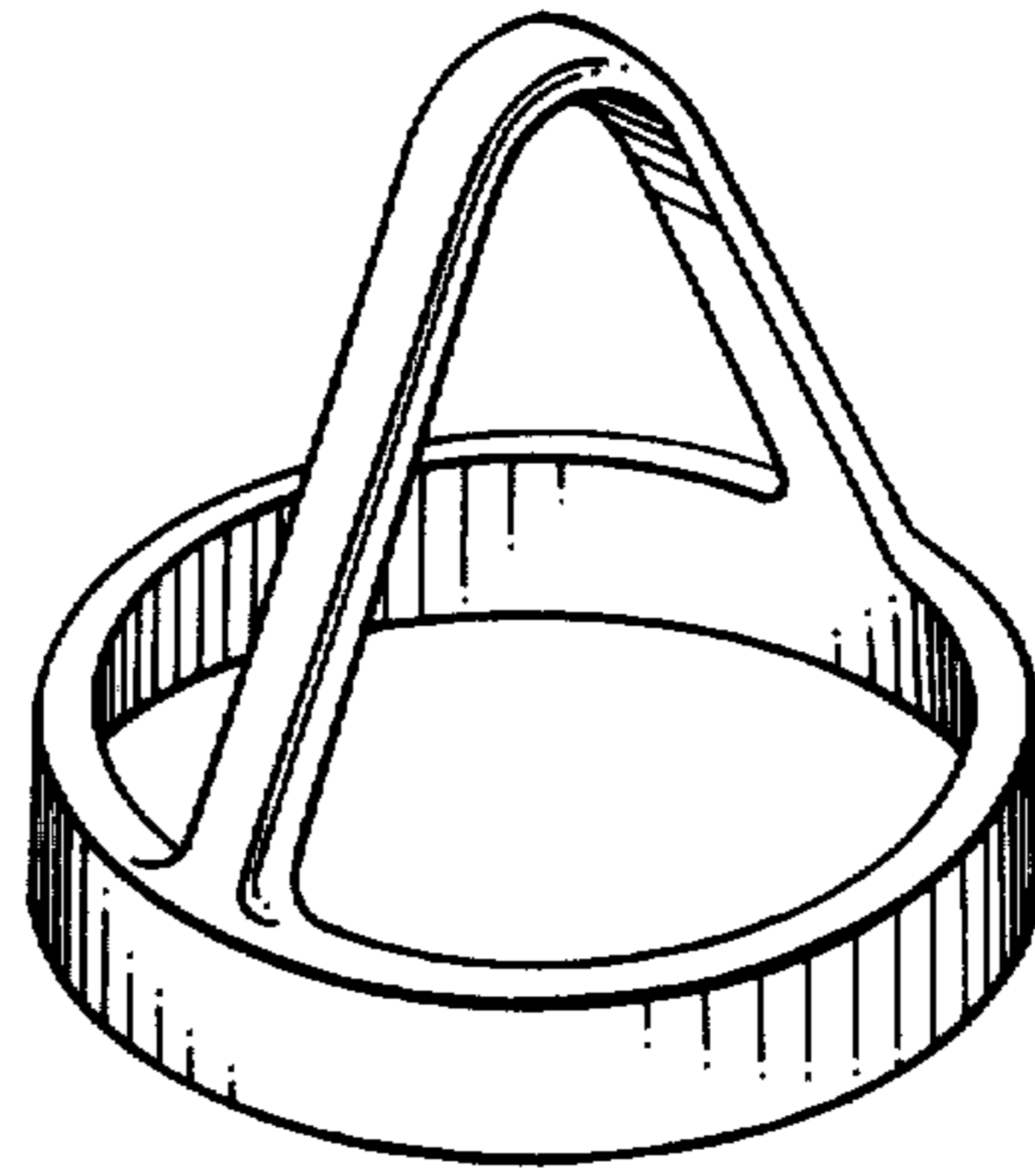


FIG.-3



FIG.-7

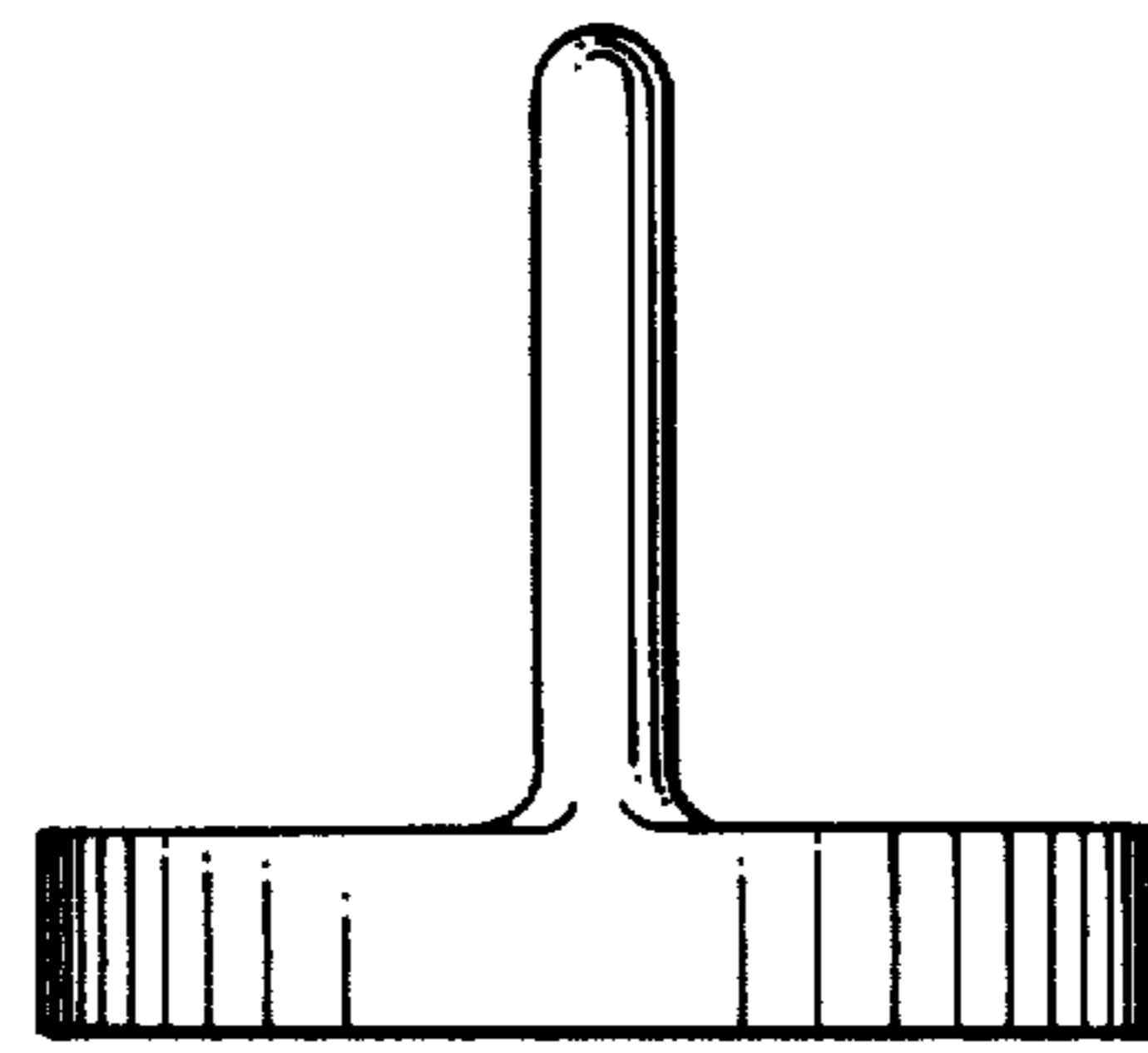


FIG.-4

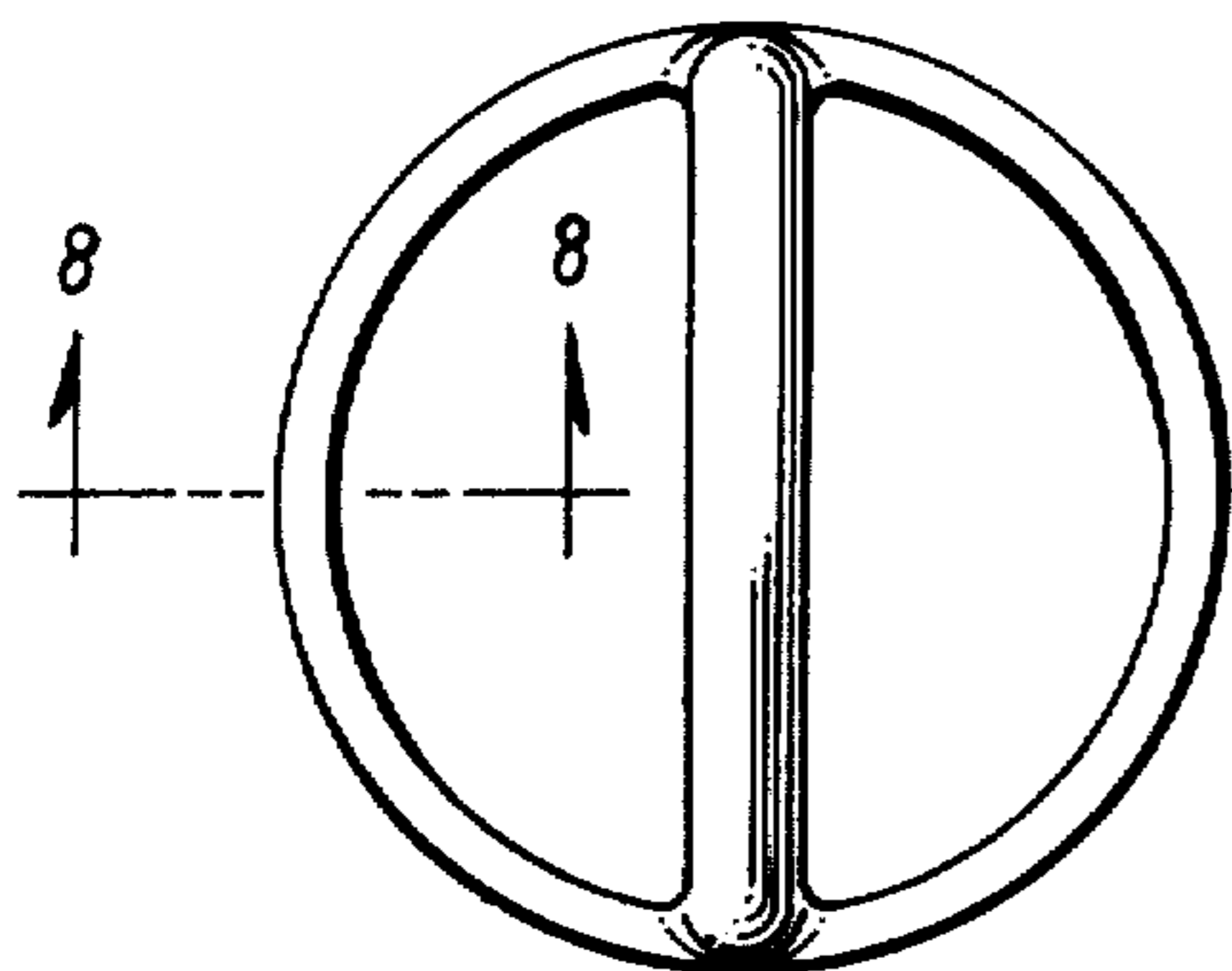


FIG.-5

FIG.-8

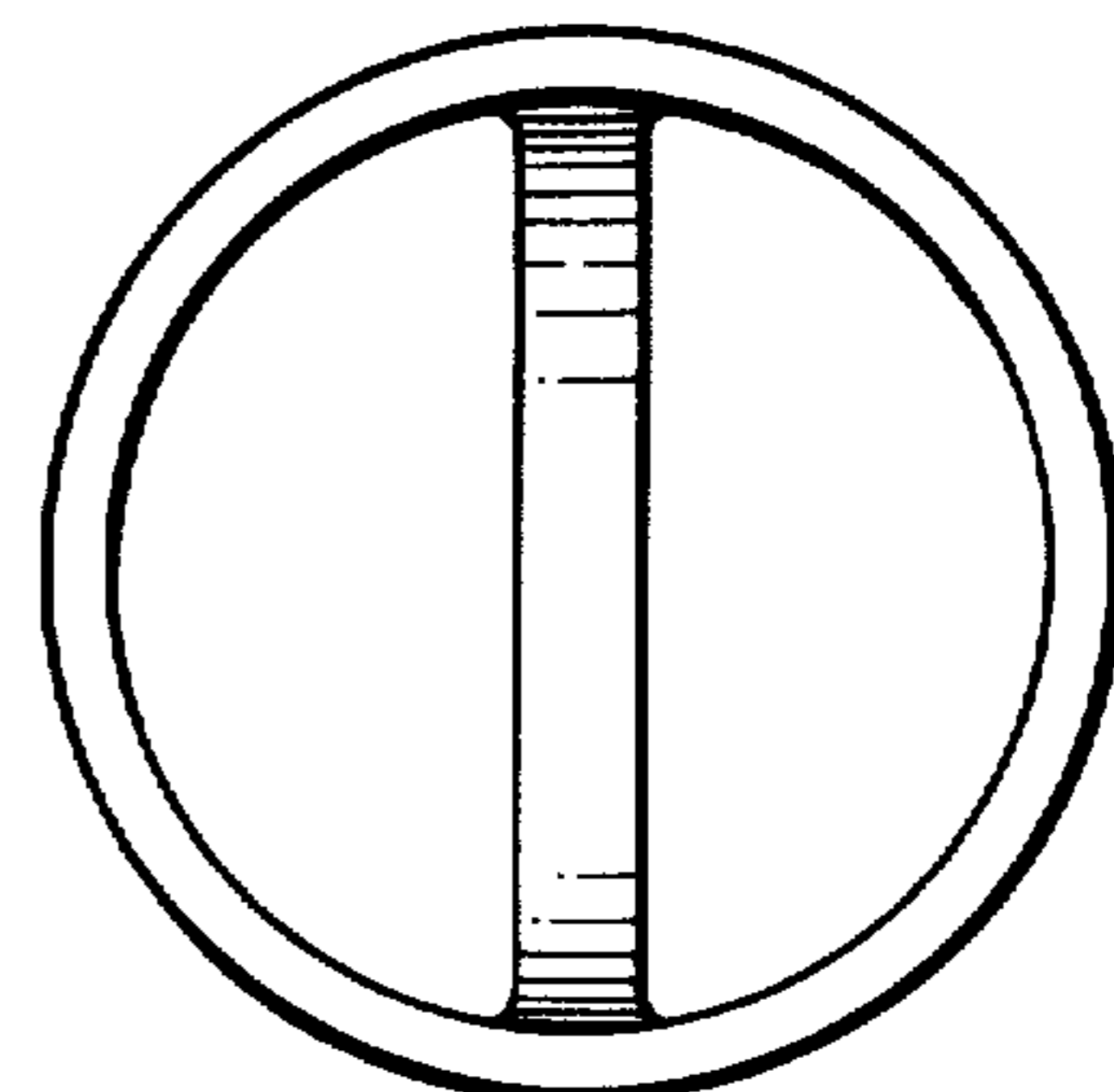


FIG.-6