

[54] MULTIPLE LEVEL CHESS BOARD

D. 226,669 4/1973 Culver ..... D21/23

[76] Inventor: Robert D. Bonser, 3260 Colby Ave., Los Angeles, Calif. 90066

Primary Examiner—Melvin B. Feifer  
Attorney, Agent, or Firm—Mahoney & Schick

[\*\*] Term: 14 Years

[57] CLAIM

[21] Appl. No.: 111,882

The ornamental design for a multiple level chess board, as shown and described.

[22] Filed: Jan. 14, 1980

DESCRIPTION

[51] Int. Cl. .... D21—01

FIG. 1 is a perspective view of a multiple level chess board showing my new design;

[52] U.S. Cl. .... D21/23

FIG. 2 is a front elevational view thereof;

[58] Field of Search ..... D21/23; 273/241

FIG. 3 is a left side elevational view thereof;

FIG. 4 is a right side elevational view thereof;

[56] References Cited

U.S. PATENT DOCUMENTS

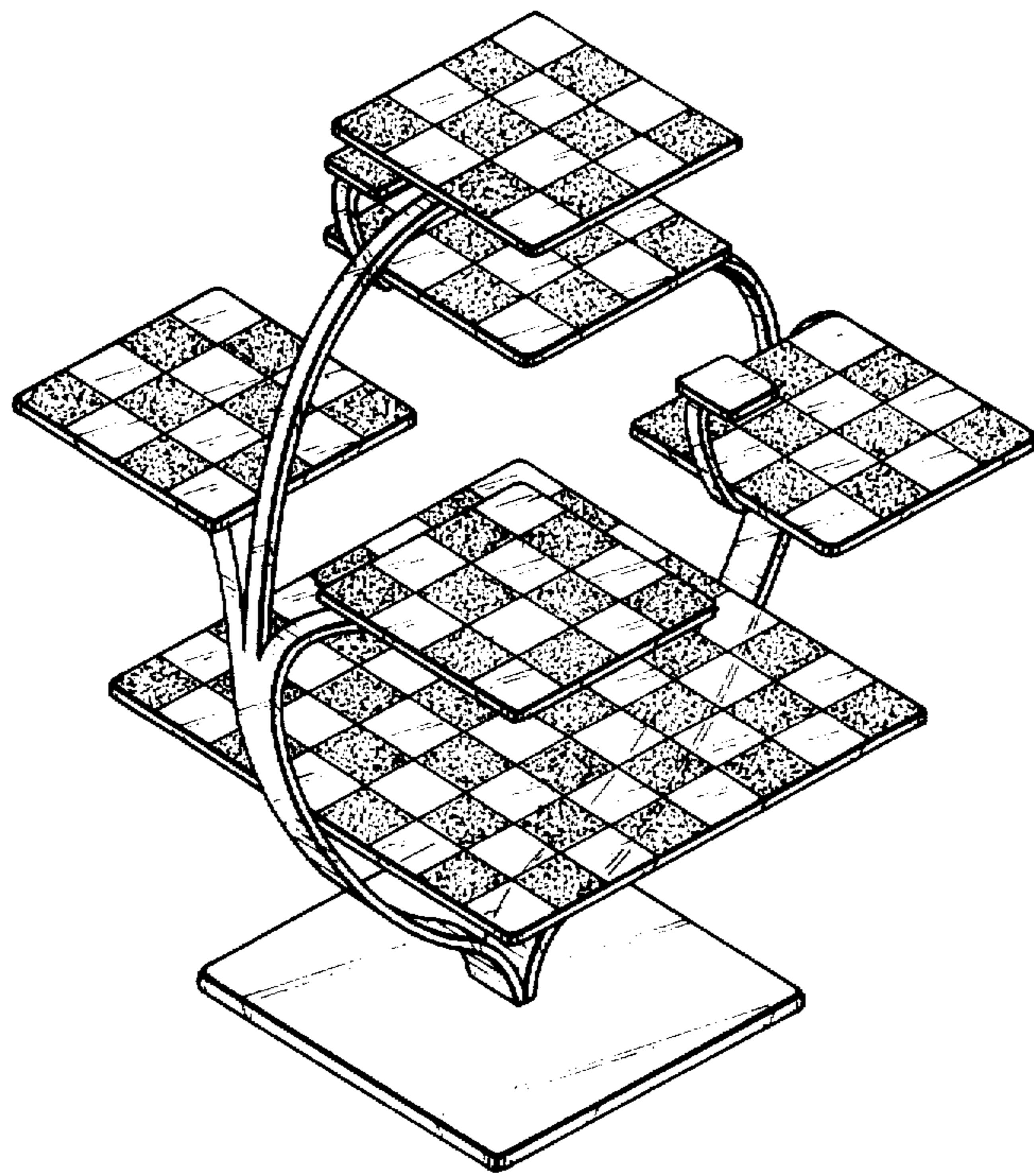
D. 200,109 1/1965 Hirsch ..... D21/23

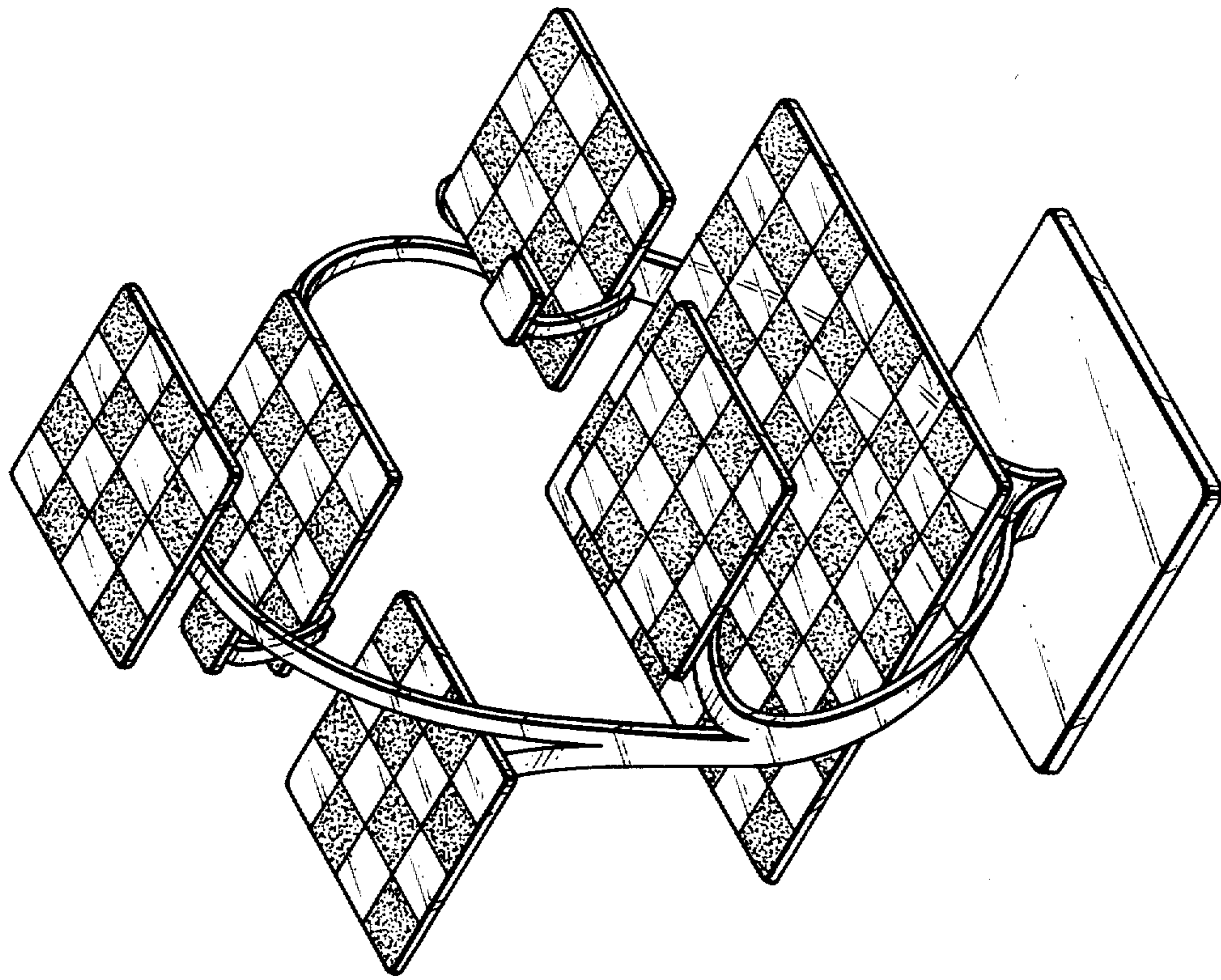
FIG. 5 is a top plan view thereof;

D. 219,155 11/1970 Gribbon ..... D21/23

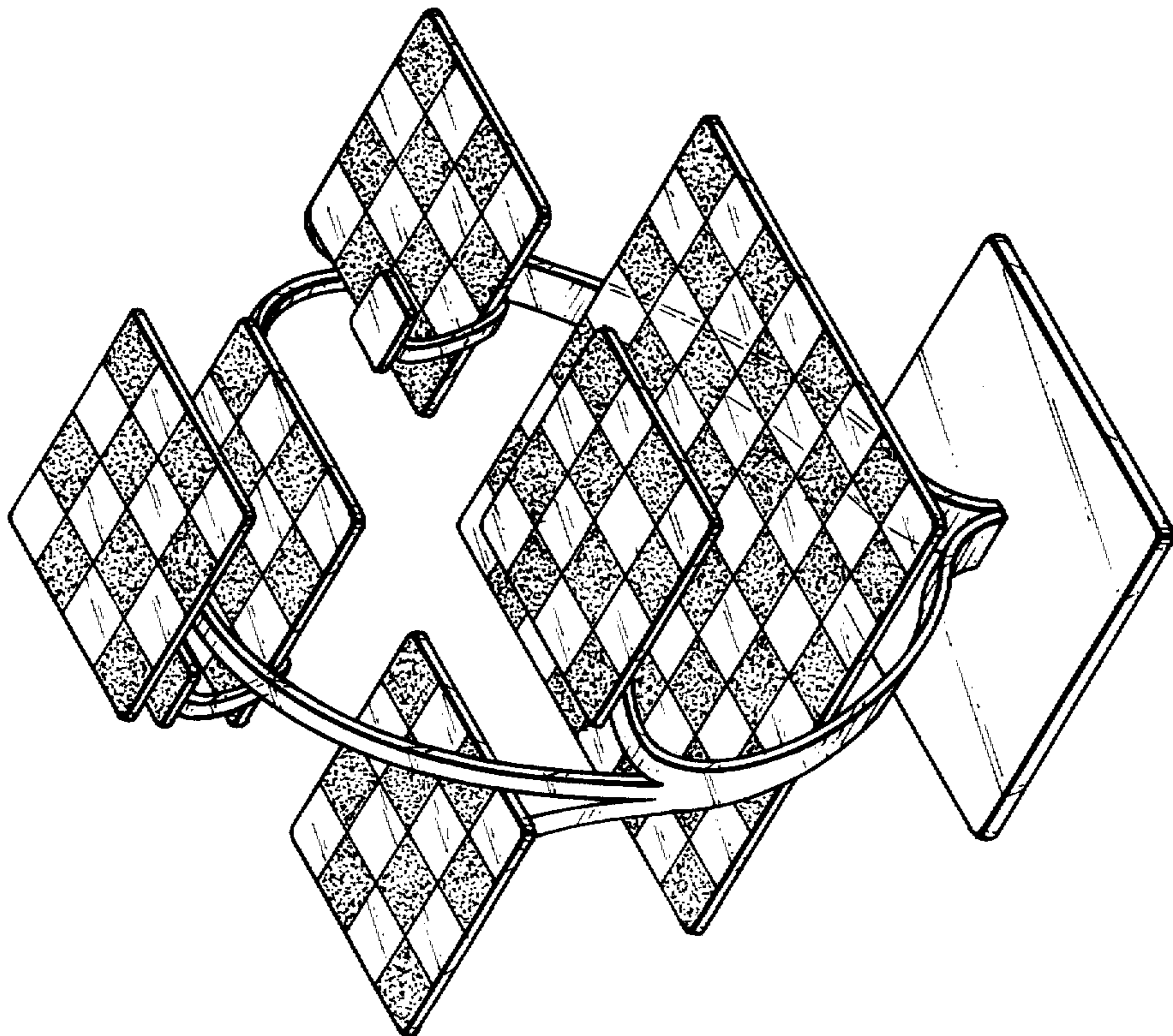
FIG. 6 is a bottom plan view thereof; and

FIG. 7 is a perspective view of a multiple level chess board showing another embodiment of my new design.

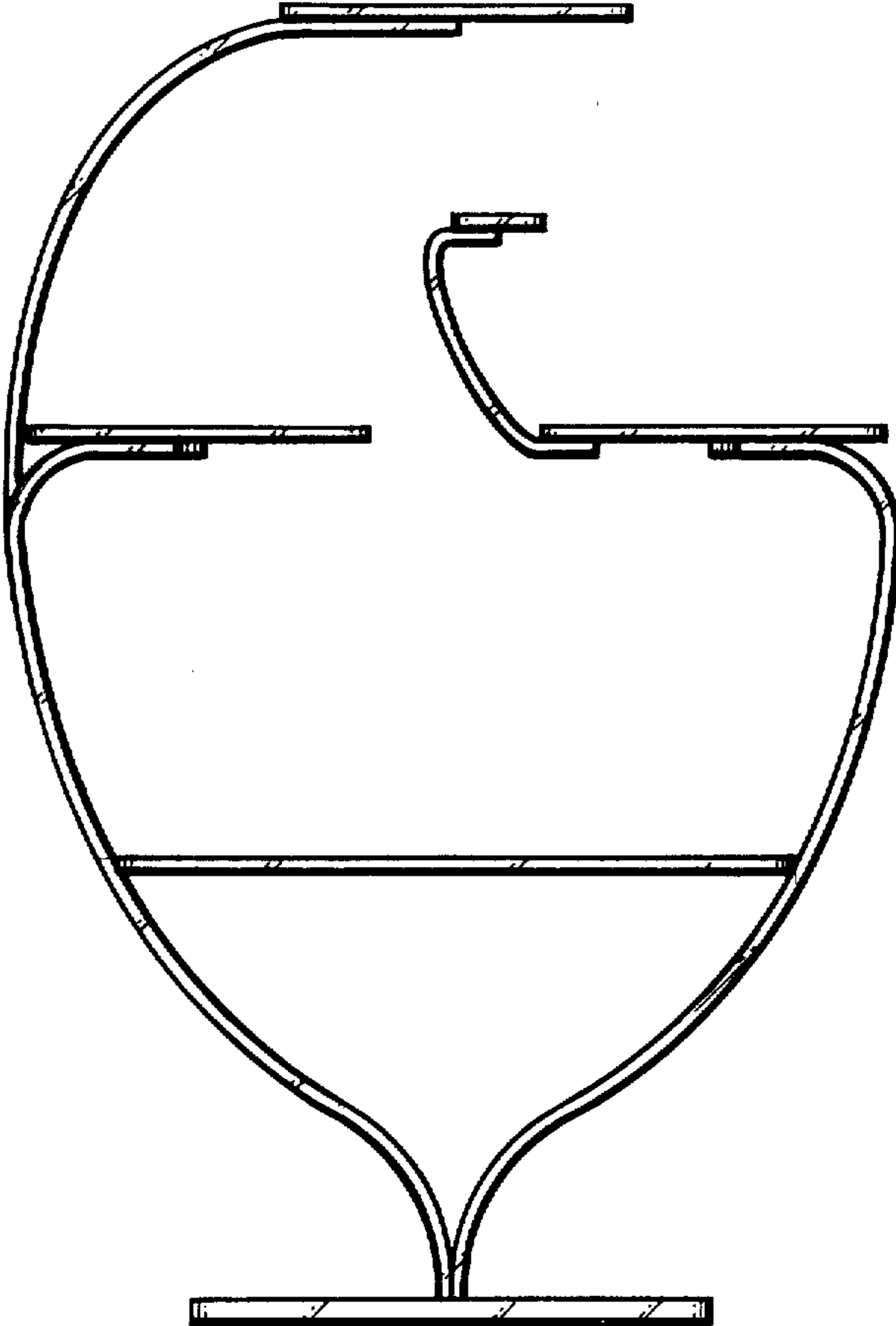




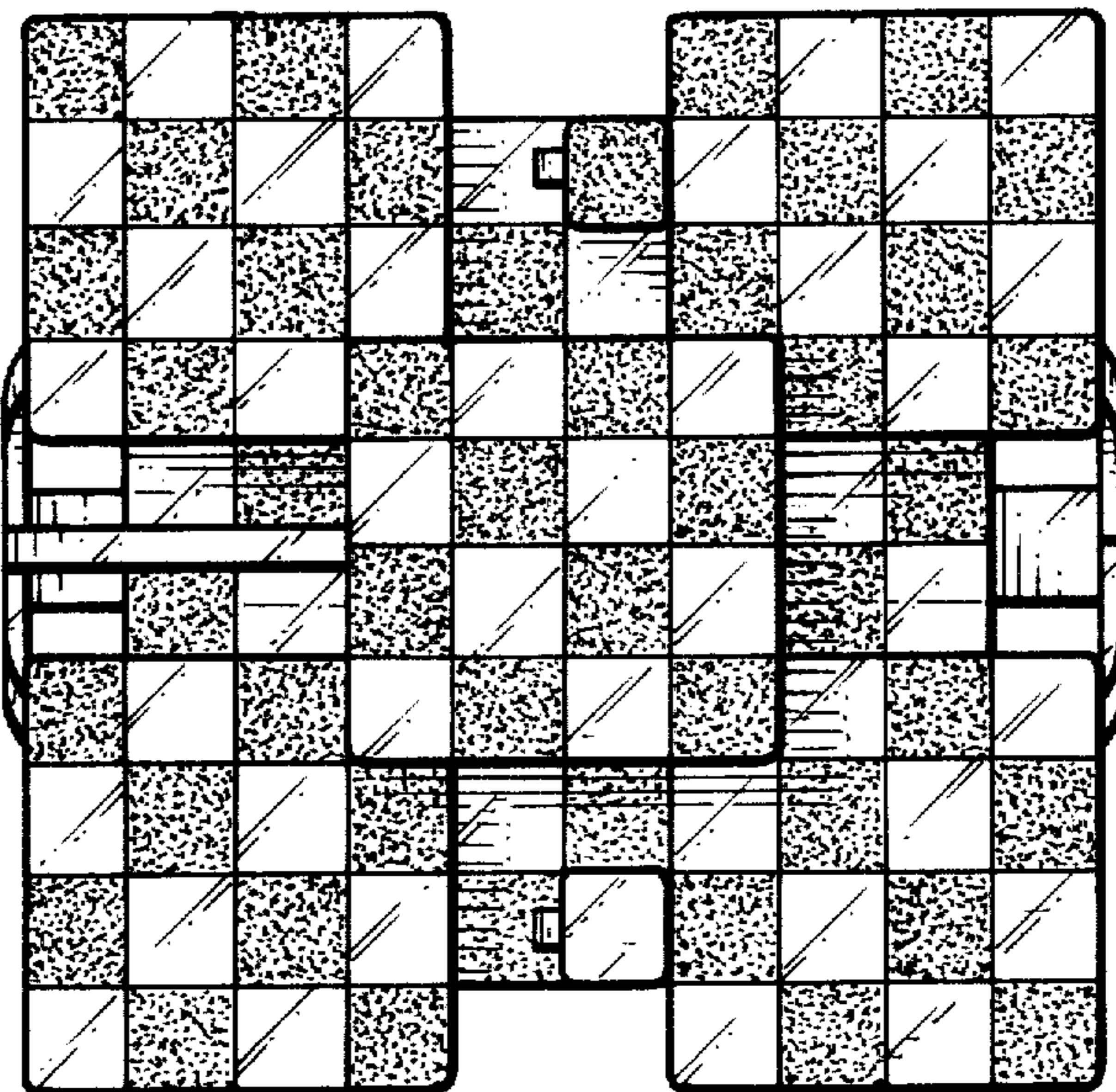
*Fig. 7.*



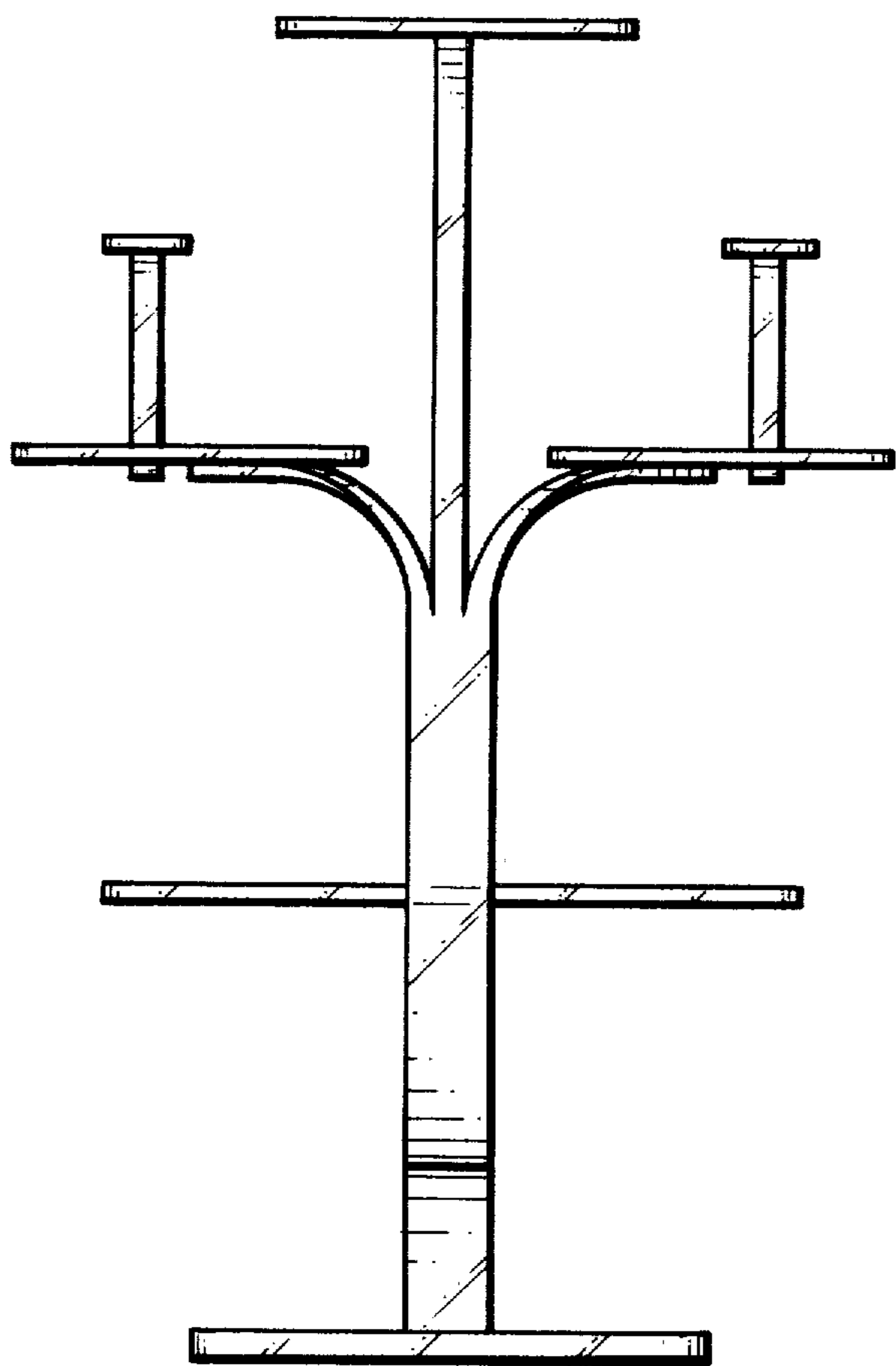
*Fig. 1.*



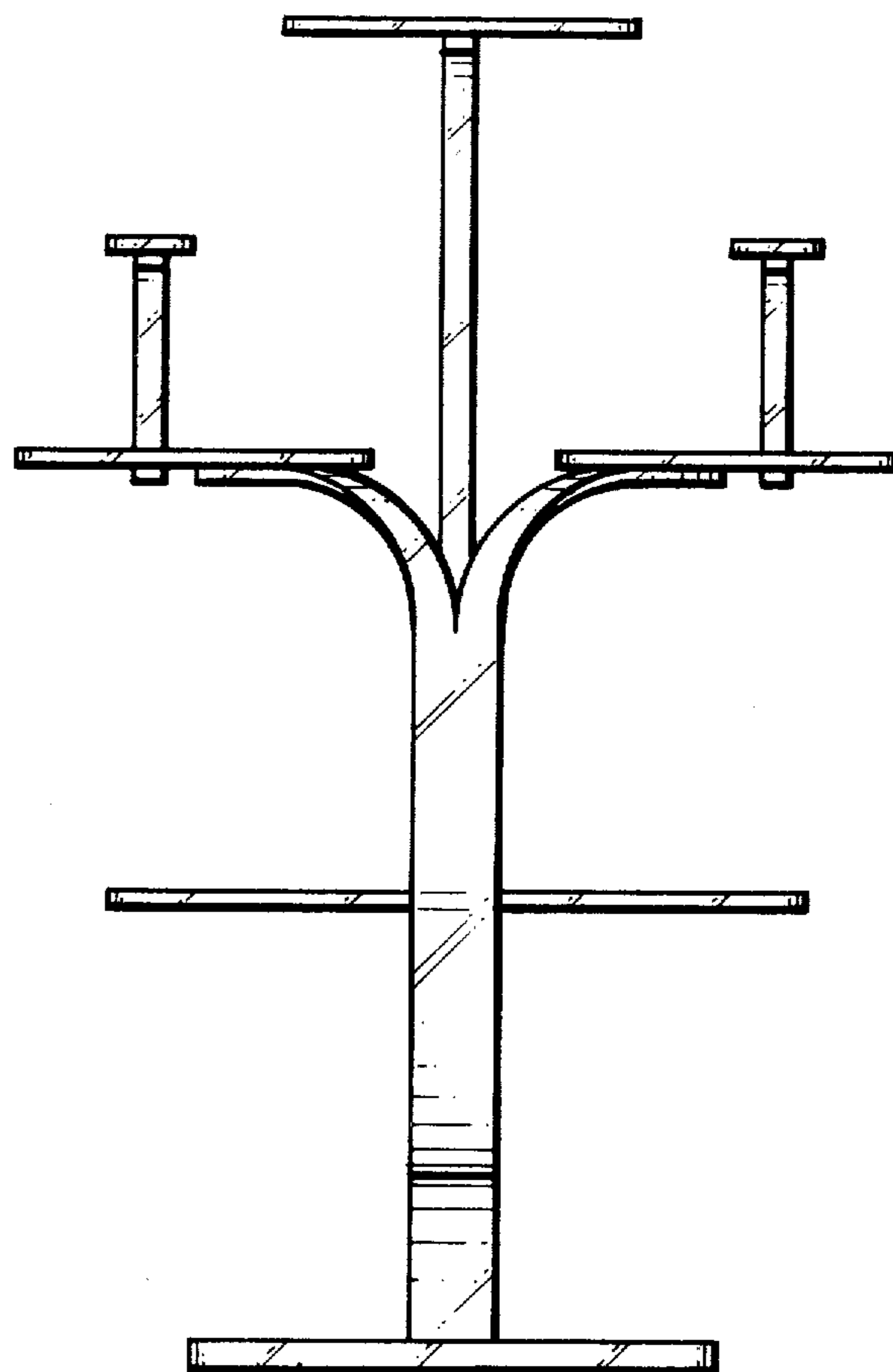
*Fig. 2.*



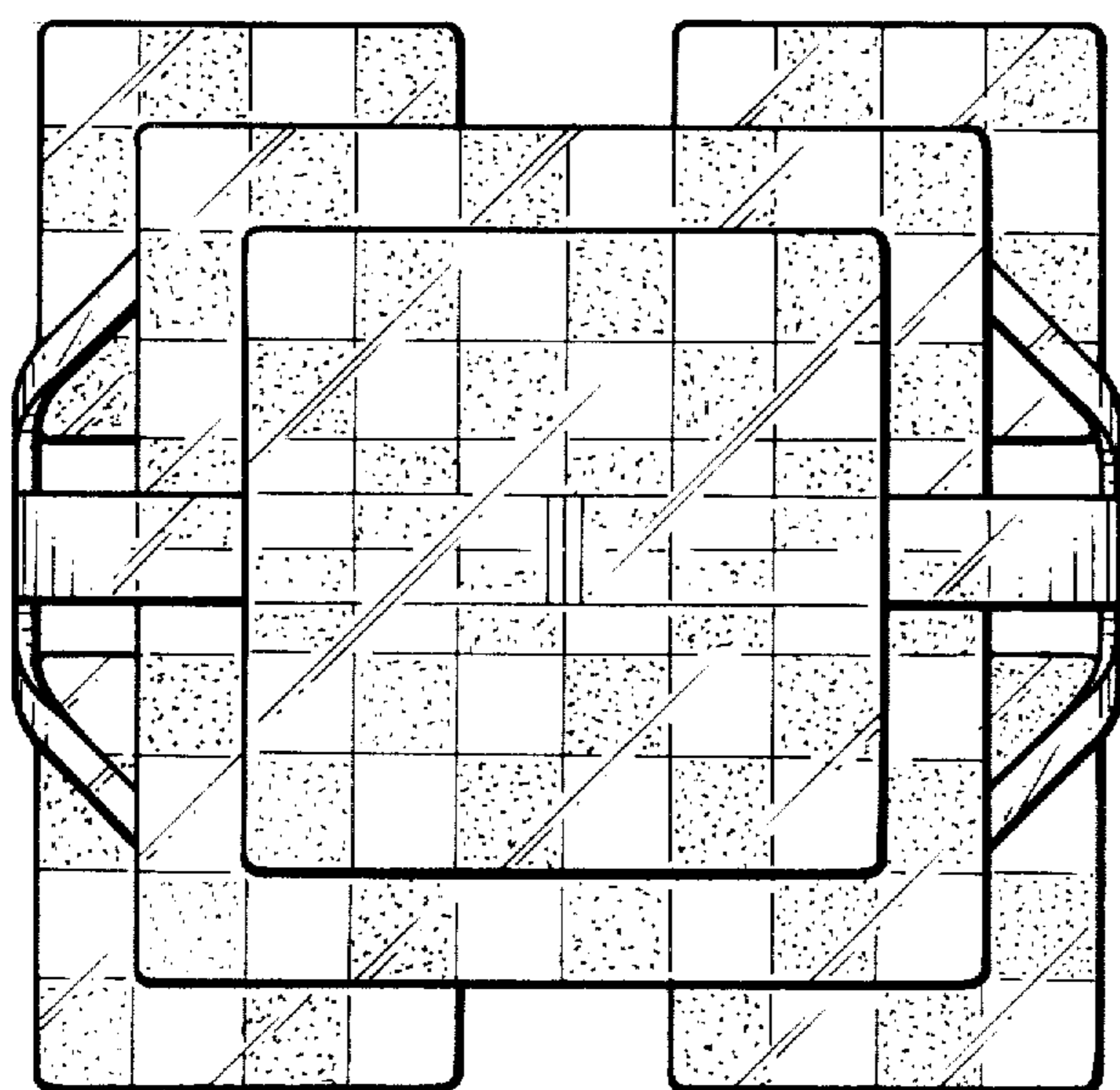
*Fig. 5.*



*Fig. 3.*



*Fig. 4.*



*Fig. 6.*