

[54] PRINTING MACHINE

[75] Inventors: Etsuo Hiraishi, Hiroshima;
Masakazu Sakamoto, Fukuyama,
both of Japan

[73] Assignee: Ryobi, Ltd., Hiroshima, Japan

[**] Term: 14 Years

[21] Appl. No.: 125,173

[22] Filed: Feb. 27, 1980

[30] Foreign Application Priority Data

Aug. 30, 1979 [JP] Japan 54-36476

[51] Int. Cl. D18-02

[52] U.S. Cl. D18/13

[58] Field of Search D18/13, 22, 99;
D14/111; 101/130, 132.3, 136, 141, 147

[56] References Cited

U.S. PATENT DOCUMENTS

D. 195,441 6/1963 Hose D18/13

D. 243,416 2/1977 Shimizu et al. D18/13

OTHER PUBLICATIONS

Office Products, 10/1977, p. 220, Offset Duplicator at center right.

Primary Examiner—Louis S. Zarfes
Attorney, Agent, or Firm—Sughrue, Mion, Zinn,
Macpeak & Seas

[57] CLAIM

The ornamental design for a printing machine, as shown and described.

DESCRIPTION

FIG. 1 is a front, and right side perspective view of a printing machine showing our new design; FIG. 2 is a right side perspective view thereof; FIG. 3 is a front, perspective view thereof; FIG. 4 is a rear perspective view thereof; FIG. 5 is a top plan view thereof; and FIG. 6 is a left side perspective view thereof. The bottom is plain and unadorned.

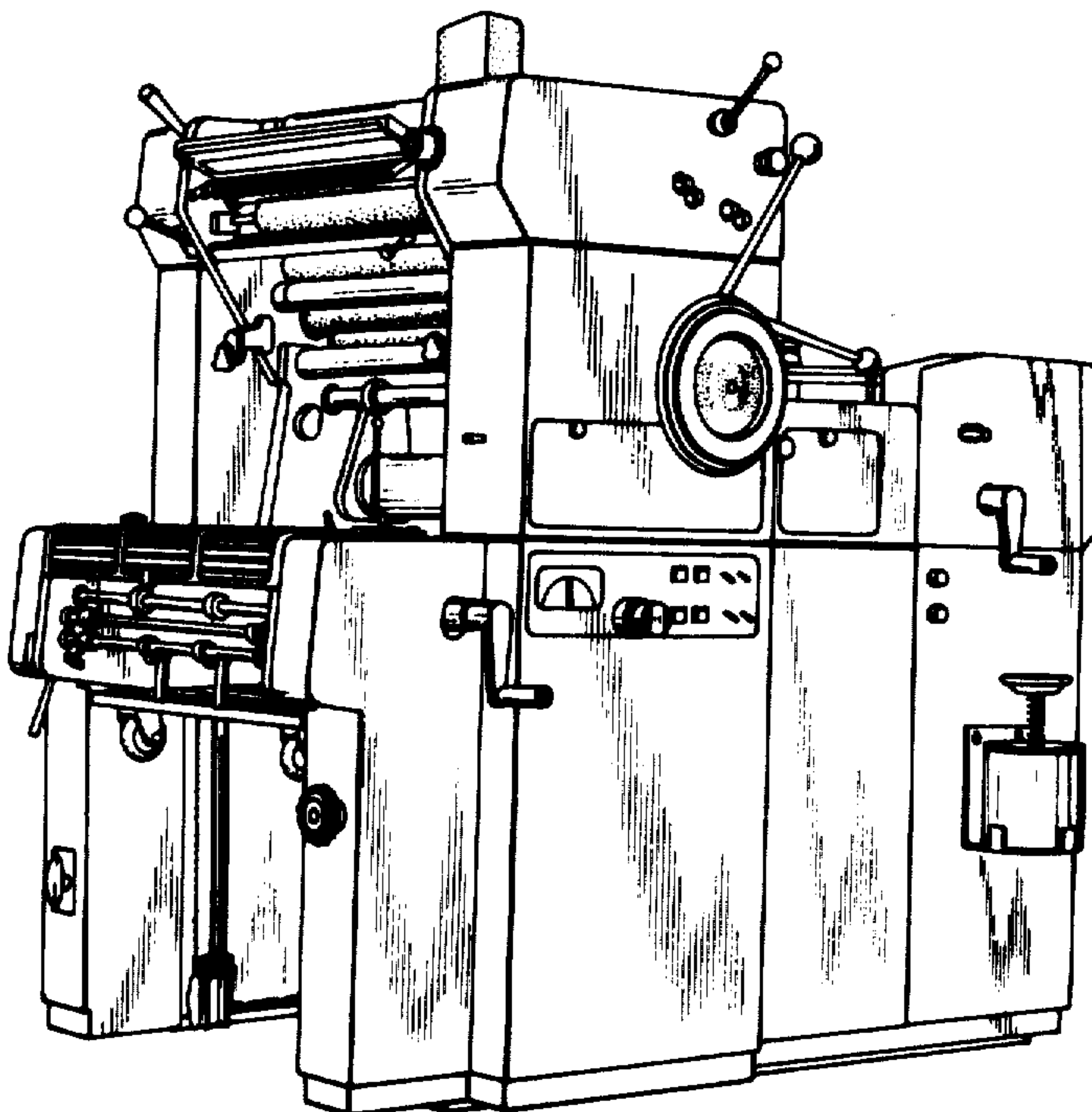


FIG. 1

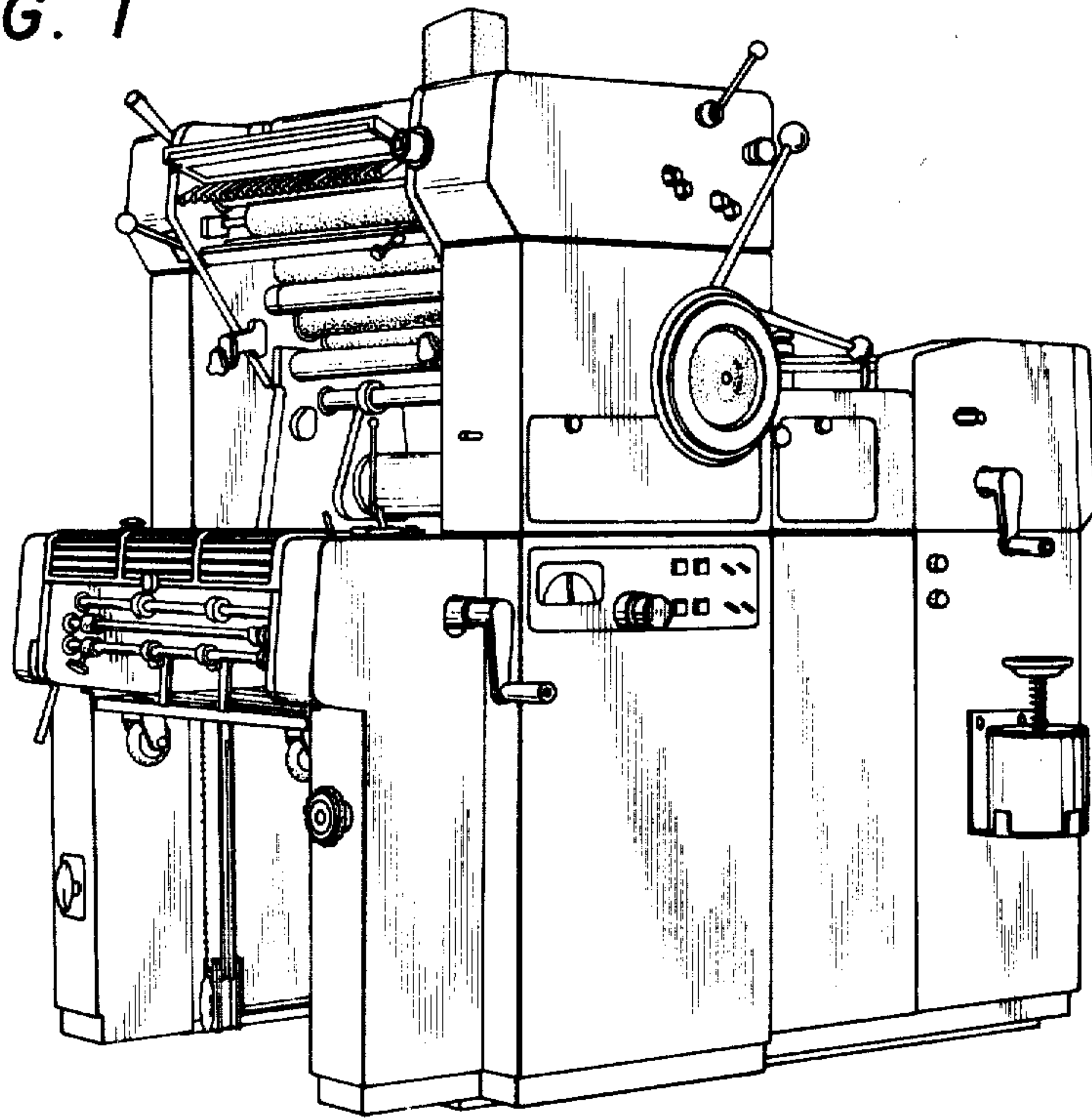


FIG. 2

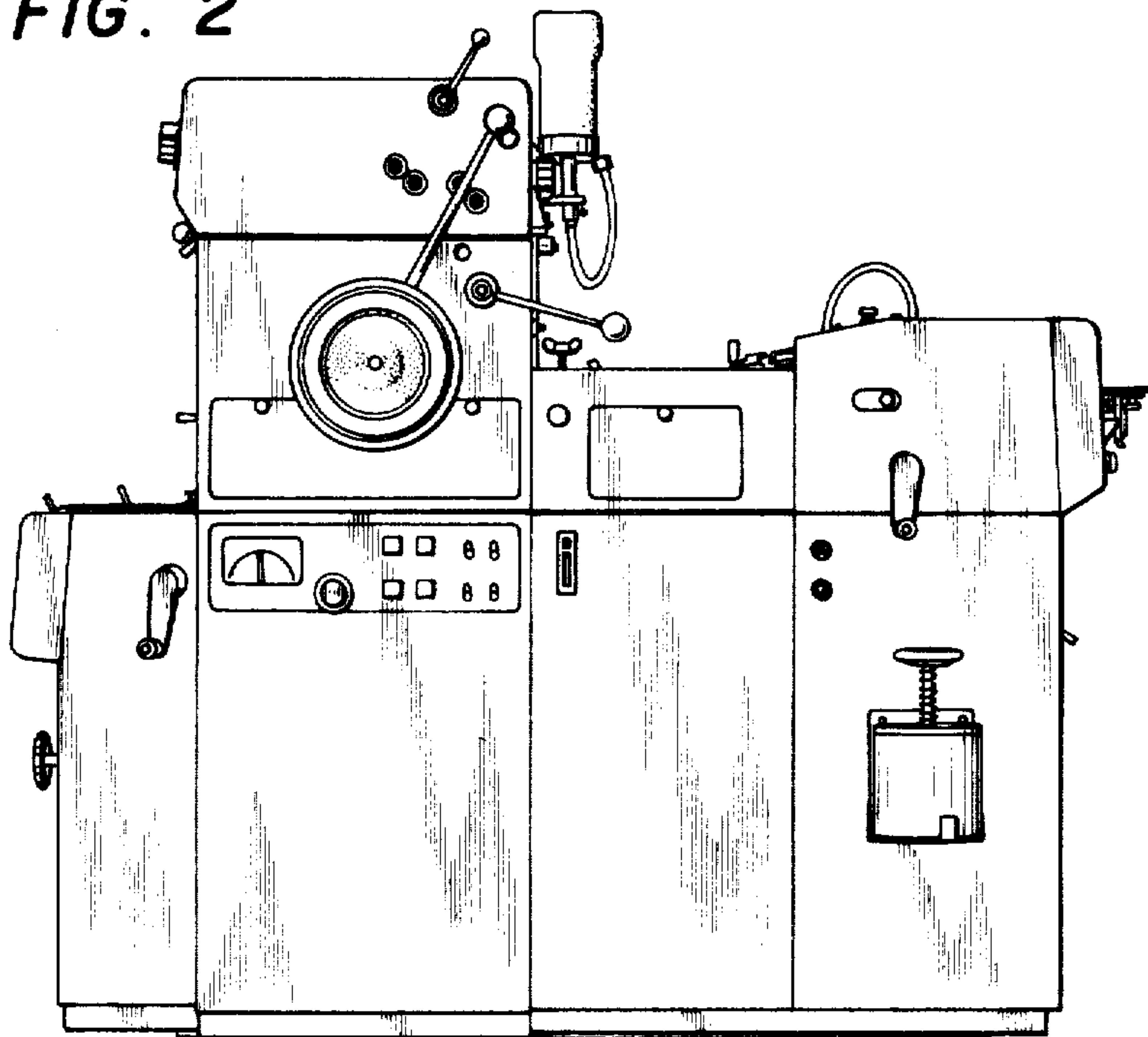


FIG. 3

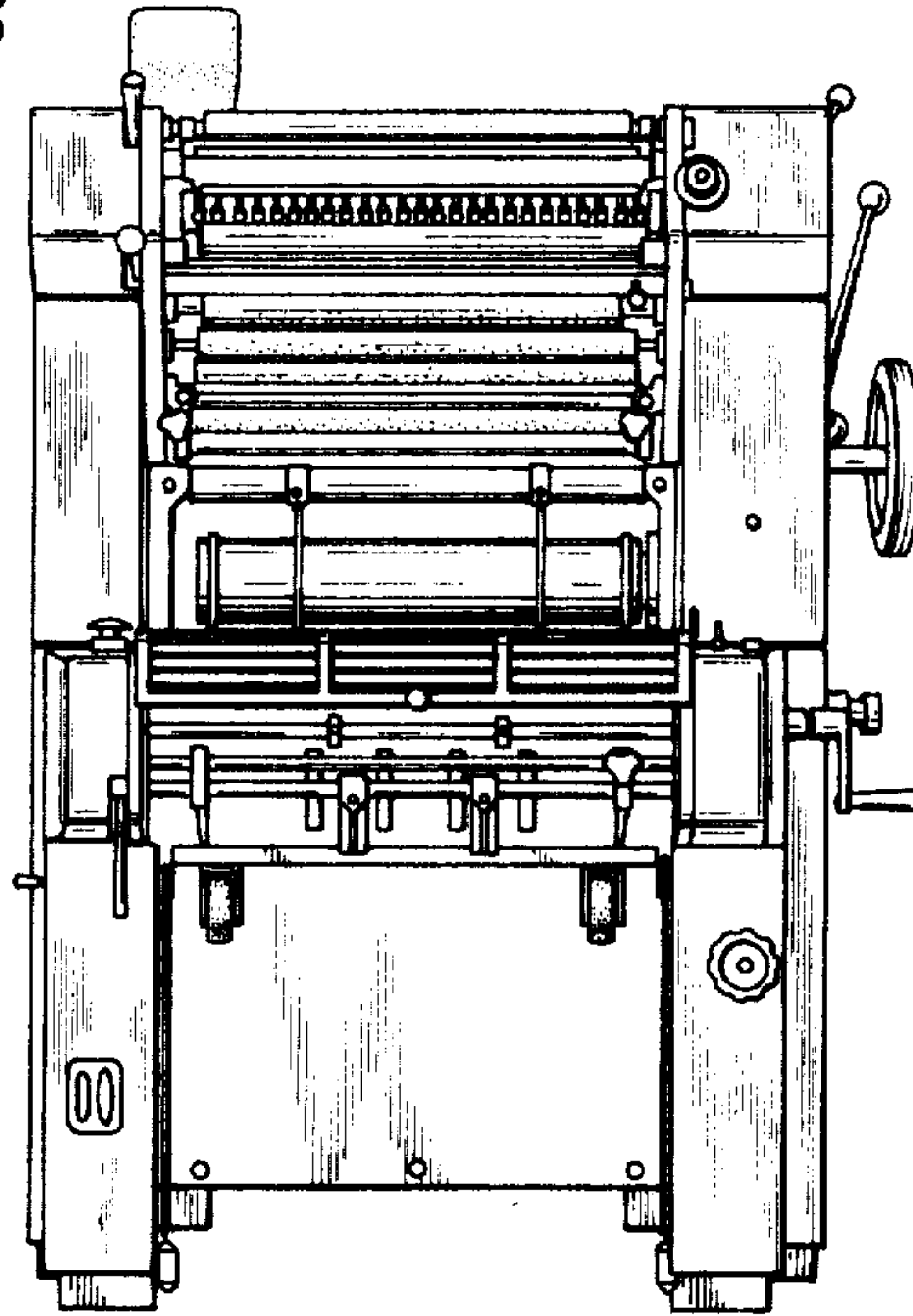


FIG. 4

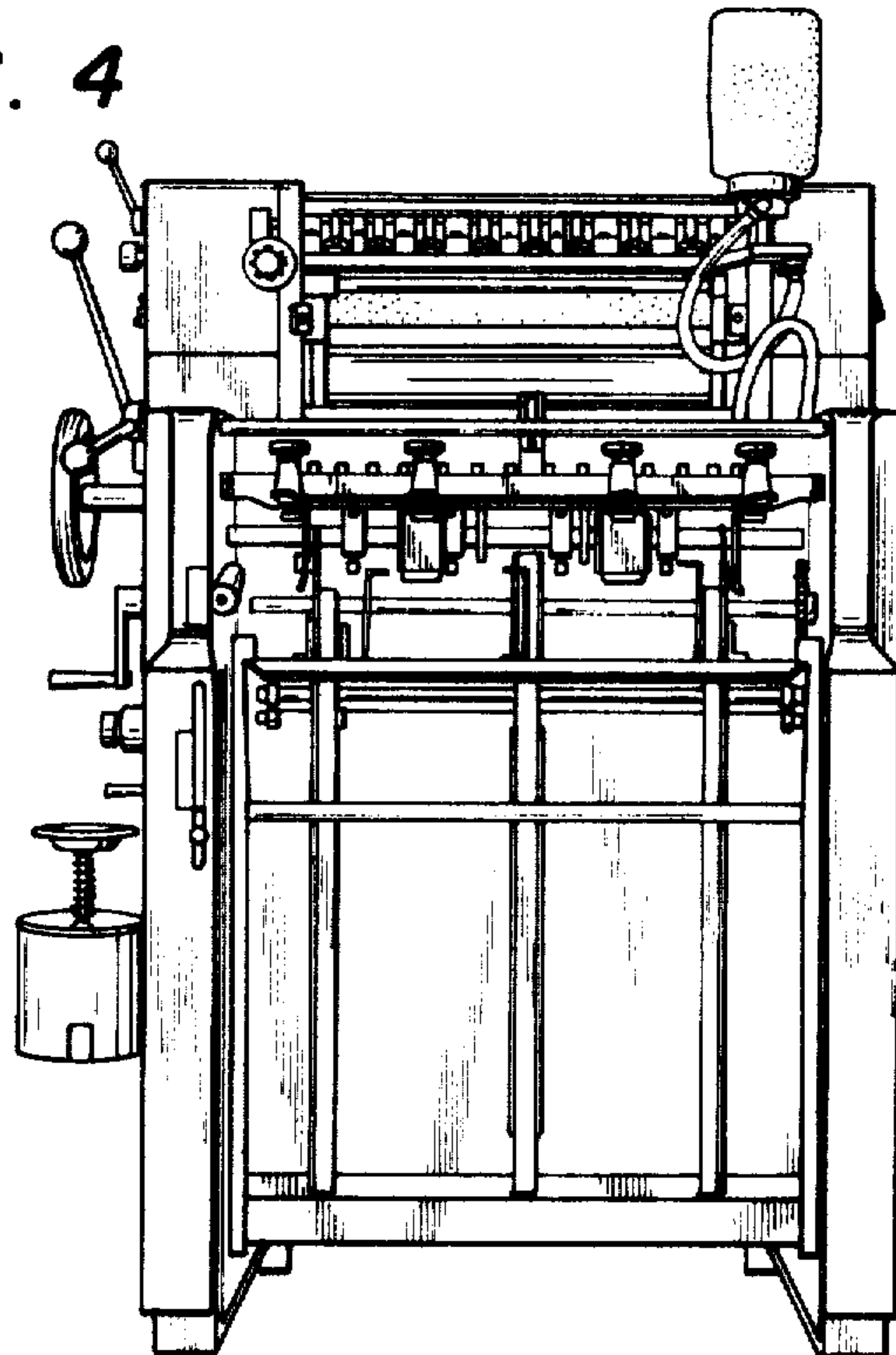


FIG. 5

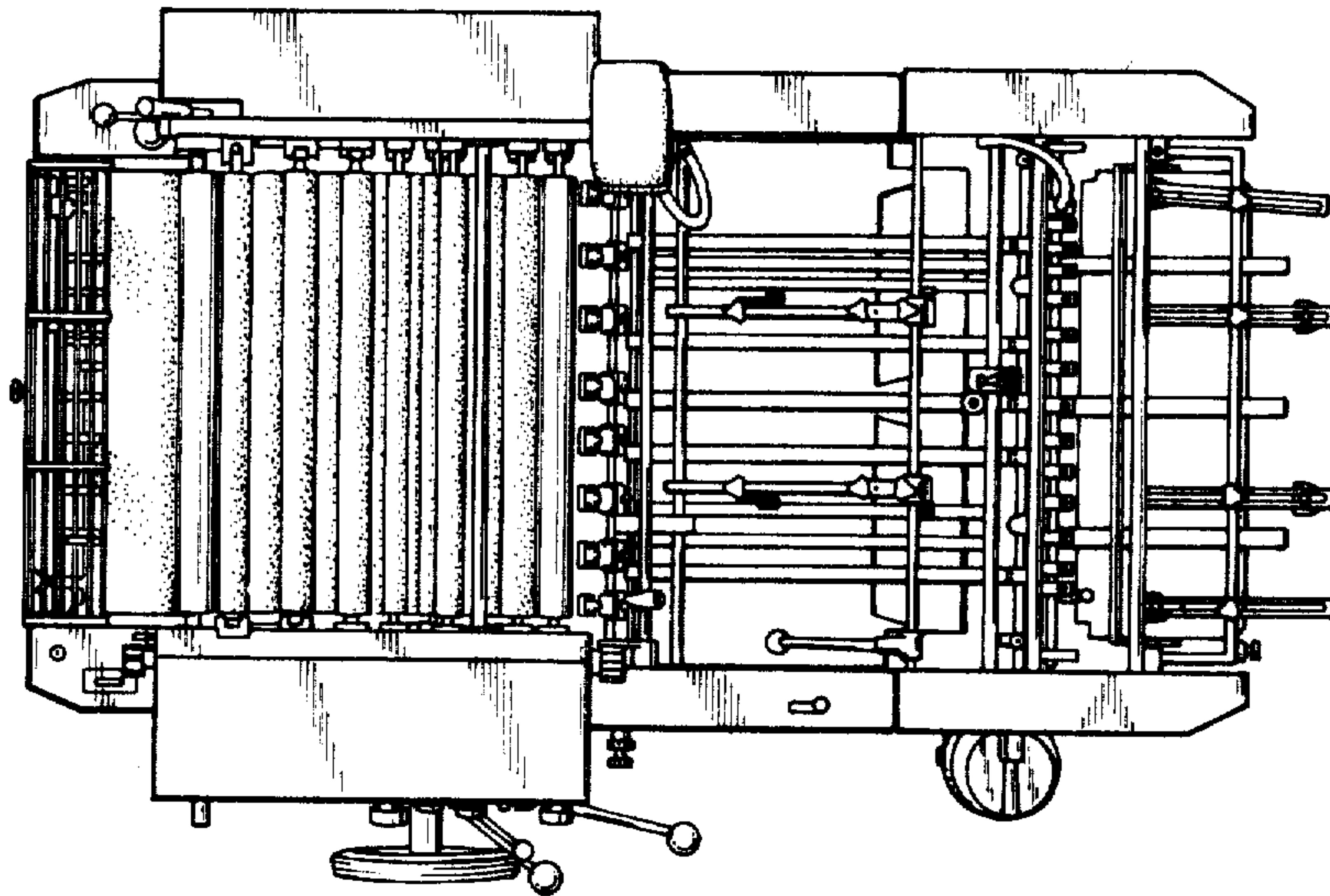


FIG. 6

