

[54] PHOTOGRAPHIC FLASH CAMERA
[75] Inventors: **Herbert Schultes**, Fuerstenfeldbruck;
Hermann R. Segers, Munich, both of
Fed. Rep. of Germany

[73] Assignee: **AGFA-Gevaert AG**, Leverkusen,
Fed. Rep. of Germany

[**] Term: **14 Years**

[21] Appl. No.: **38,721**

[22] Filed: **May 14, 1979**

[30] Foreign Application Priority Data
Nov. 29, 1978 [DE] Fed. Rep. of
Germany 5MR550-G159

[51] Int. Cl. **D16-01**
[52] U.S. Cl. **D16/6**
[58] Field of Search **D16/1-10,**
D16/42; 354/126, 145, 149, 152, 202, 288;
362/3, 7, 16, 18

[56] **References Cited**

U.S. PATENT DOCUMENTS

3,204,542	9/1965	Strasser et al.	354/126
3,260,181	7/1966	Hennig et al.	354/149
3,273,479	9/1966	Jakob	354/149
3,302,542	2/1967	Greger et al.	362/7
3,882,514	5/1975	Graham	354/149

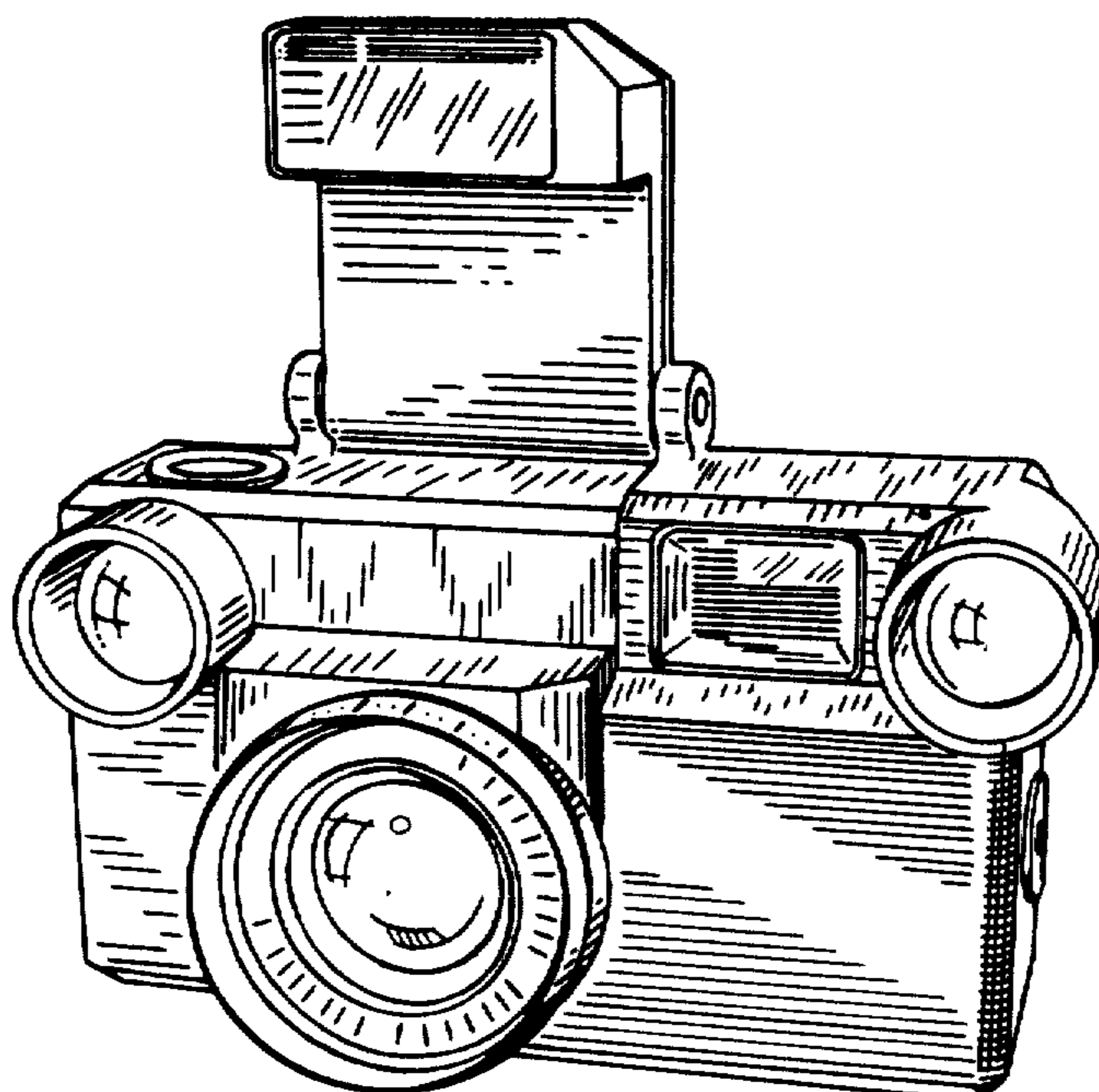
Primary Examiner—Peter M. Caun
Attorney, Agent, or Firm—Michael J. Striker

[57] **CLAIM**

The ornamental design for a photographic flash camera, substantially as shown and described.

DESCRIPTION

FIG. 1 is a perspective front view of a photographic flash camera embodying our novel design with the flash element in an inoperative position,
FIG. 2 is a front view thereof with the flash element in an elevated, operative position,
FIG. 3 is a front view thereof with the flash element in the inoperative position,
FIG. 4 is a rear view thereof,
FIG. 5 is a top-plan view thereof,
FIG. 6 is a bottom-plan view thereof,
FIG. 7 is a right-side view thereof, and
FIG. 8 is a left-side view thereof.



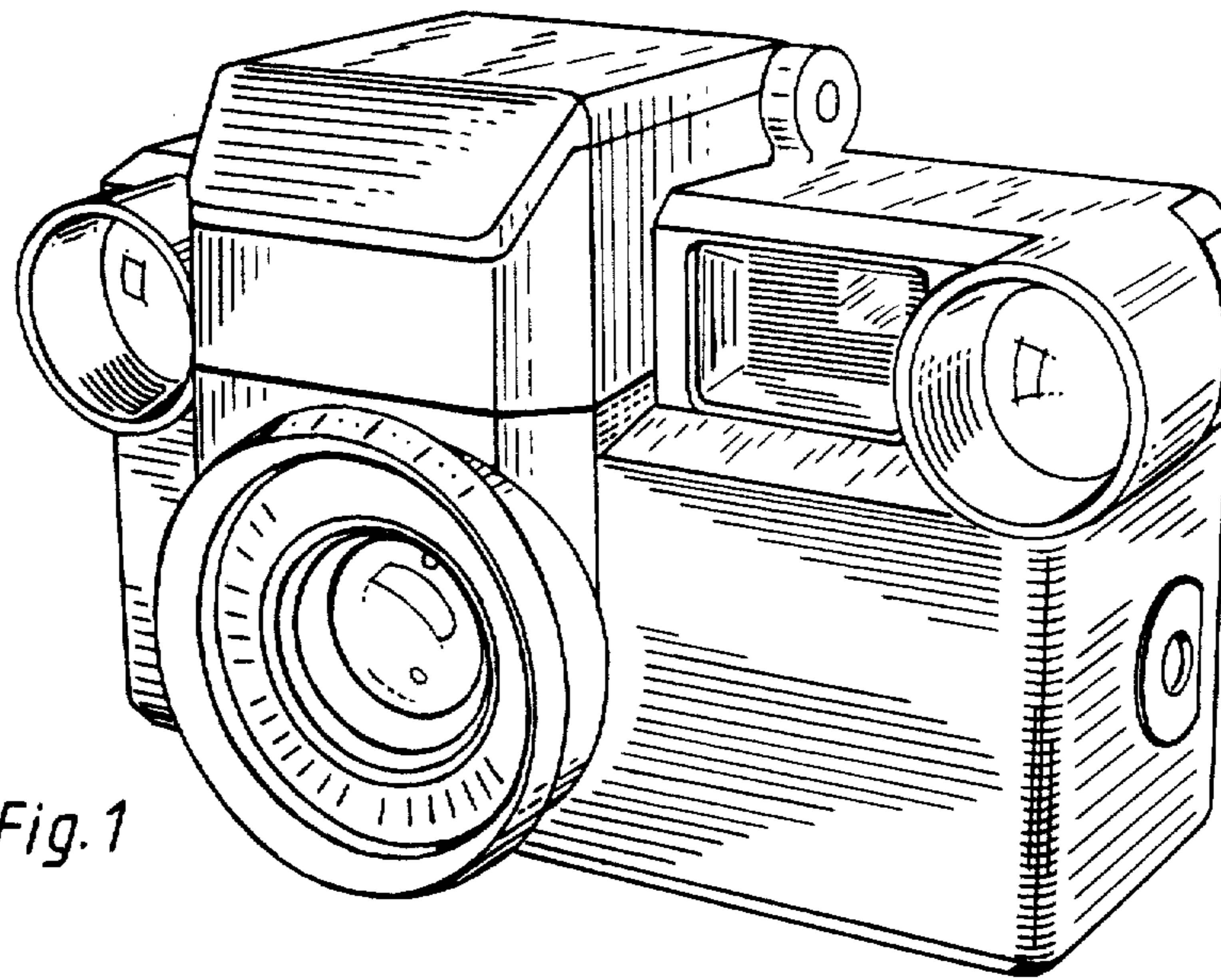


Fig. 1

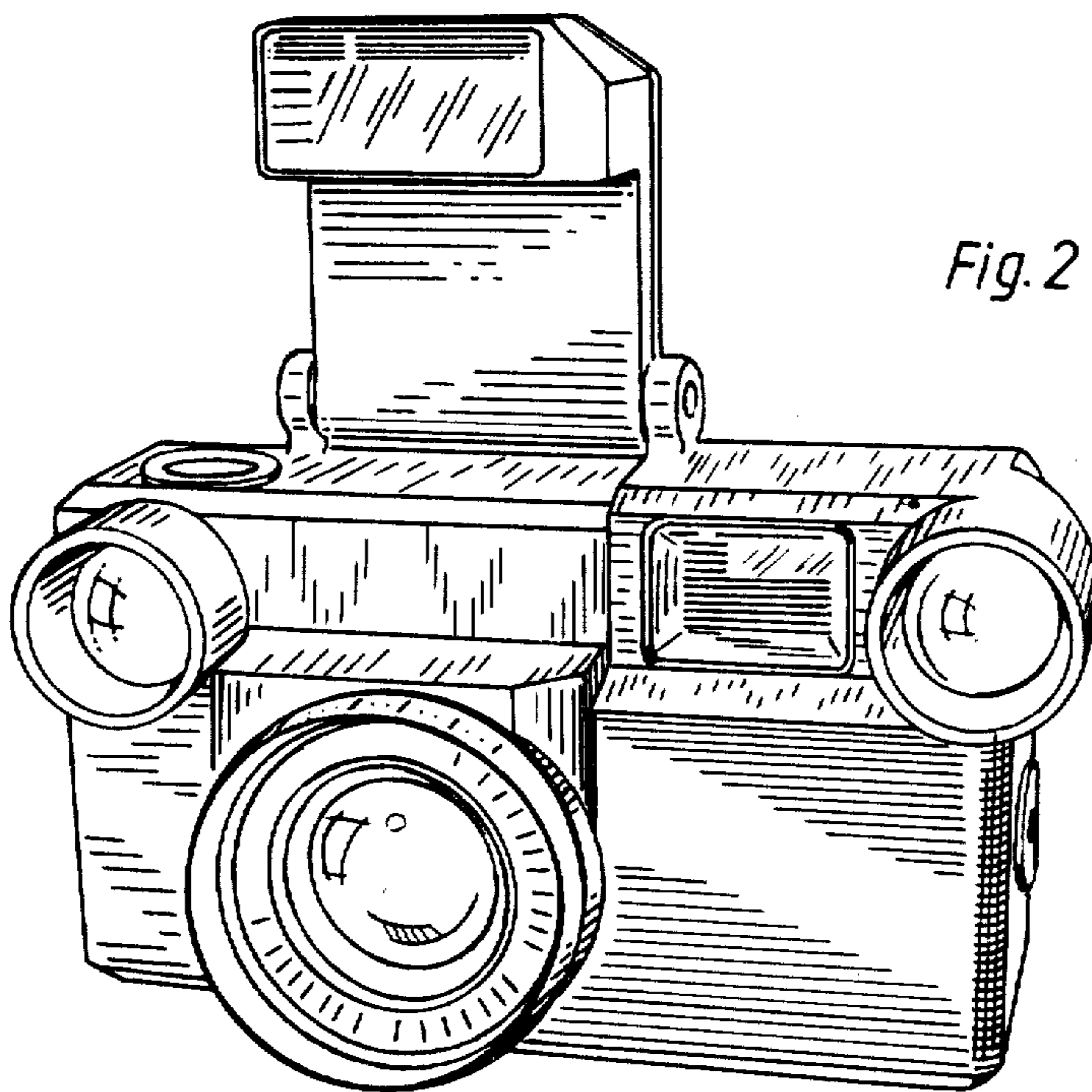


Fig. 2

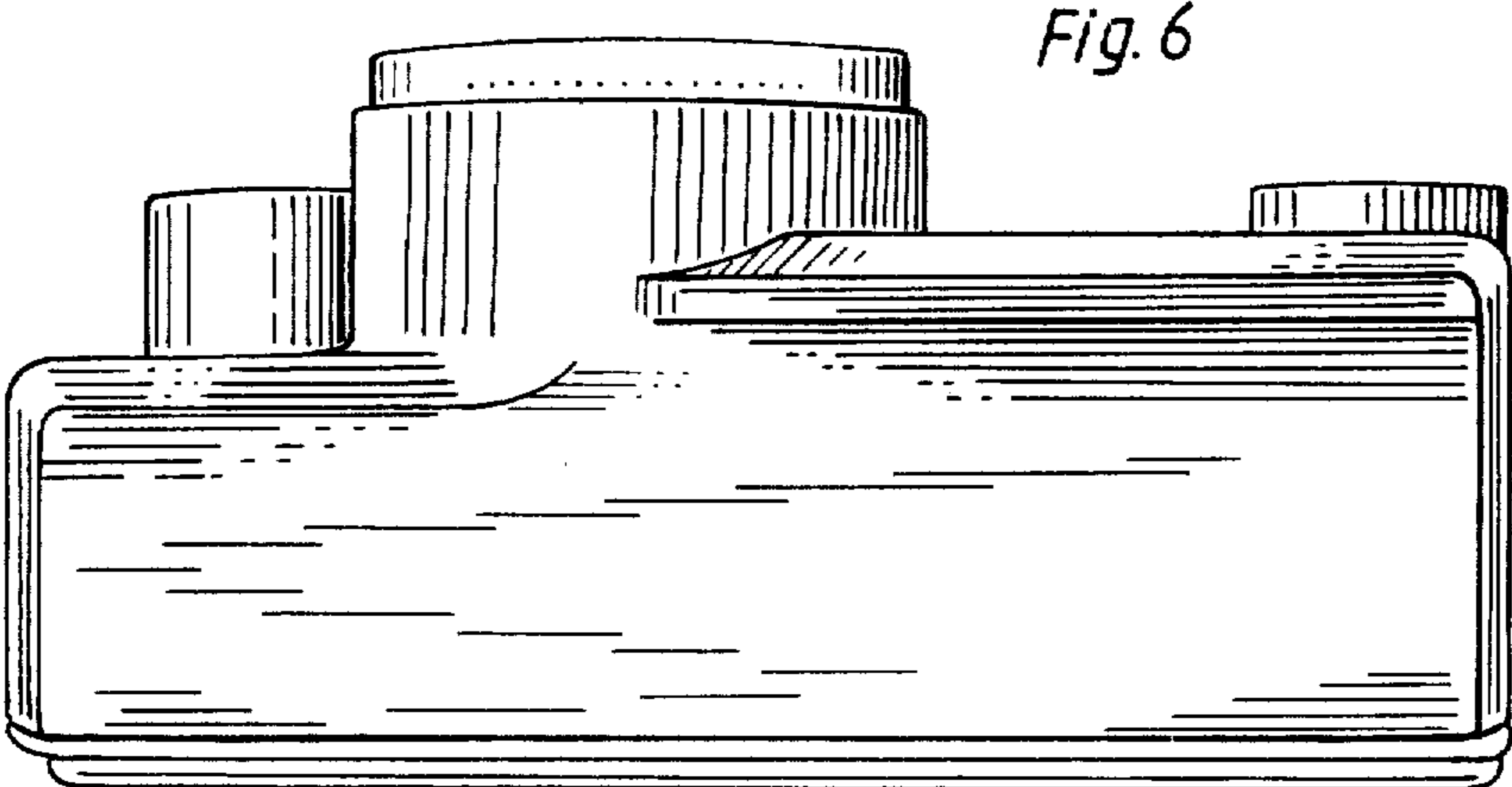
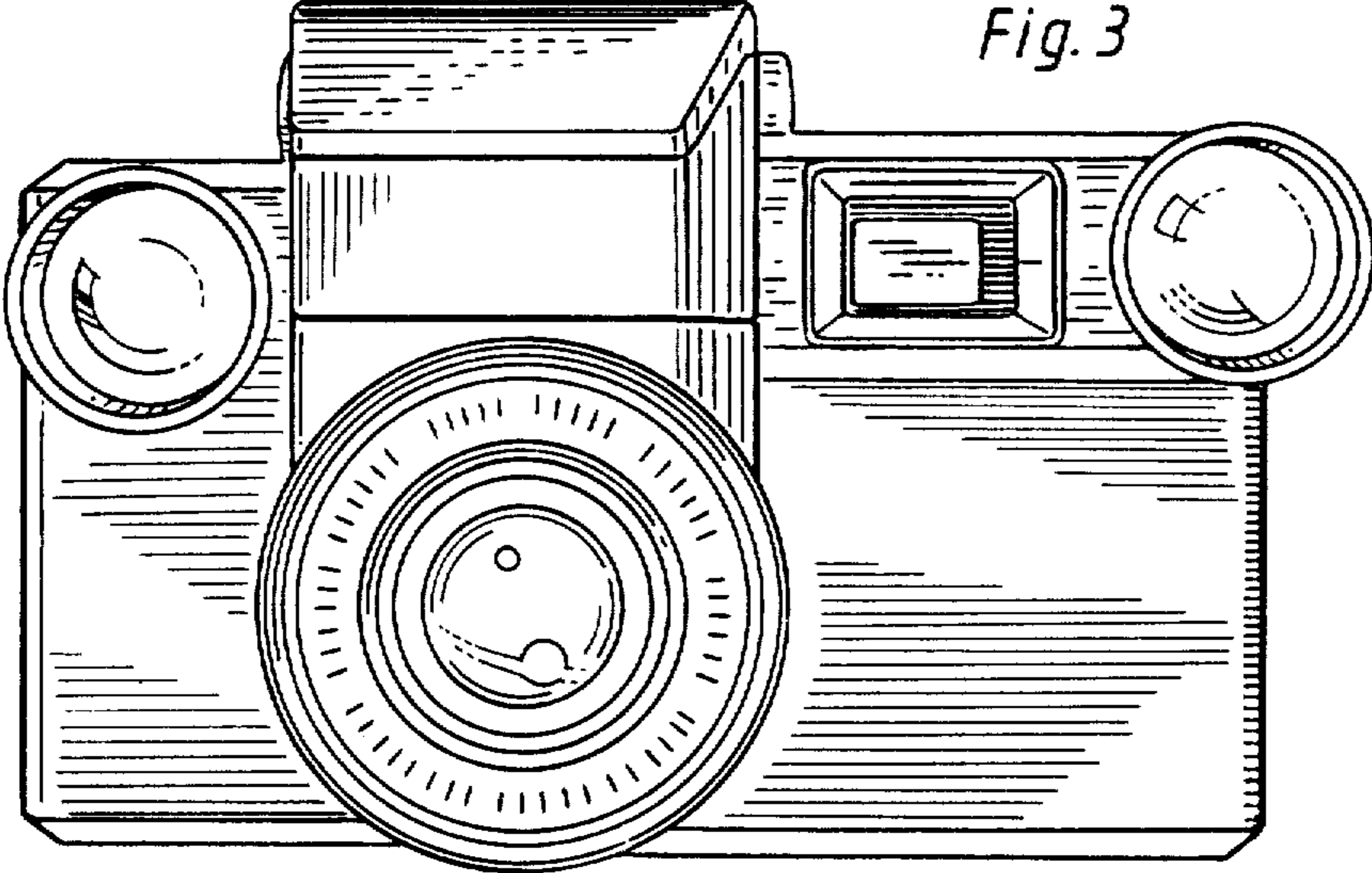


Fig. 4

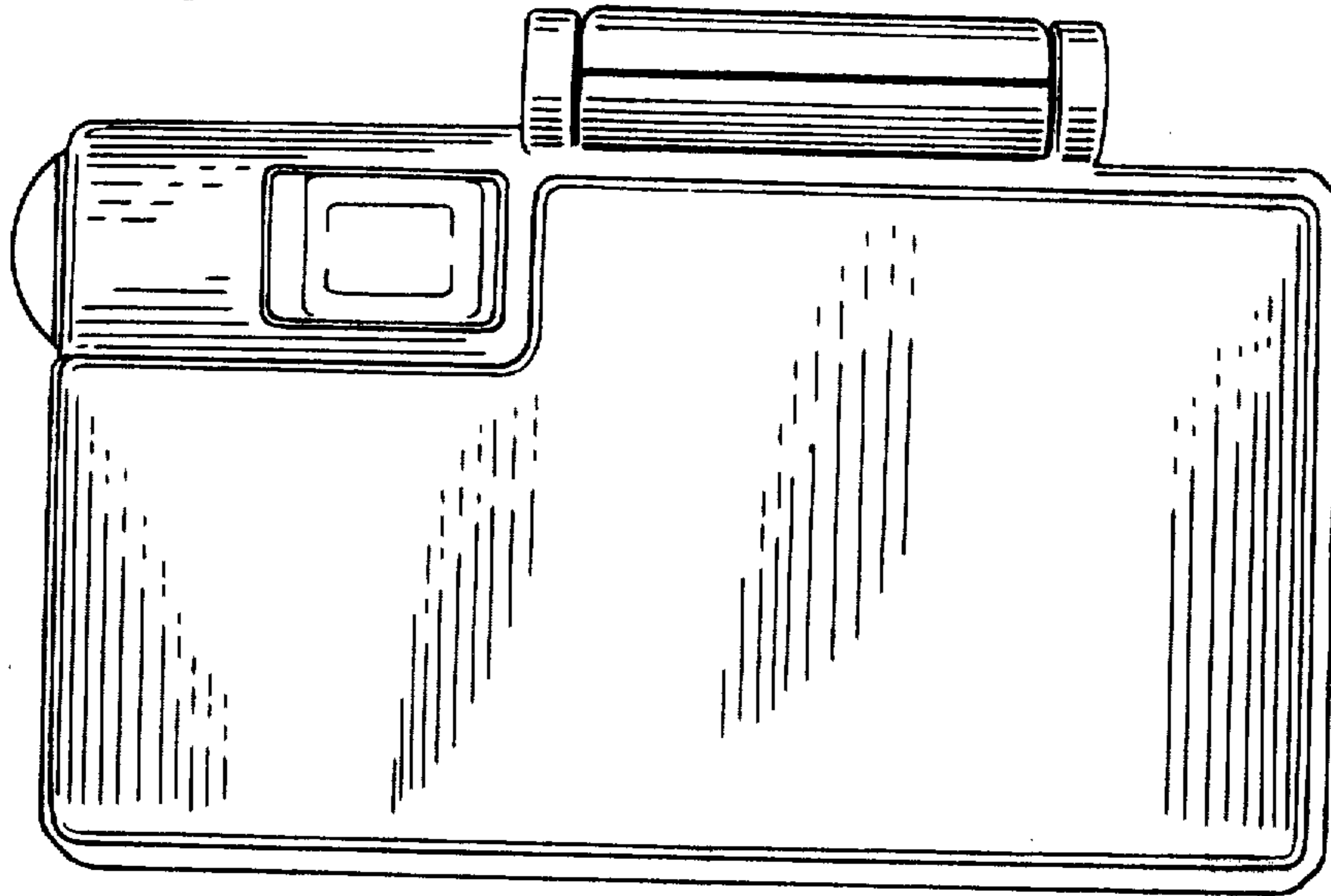
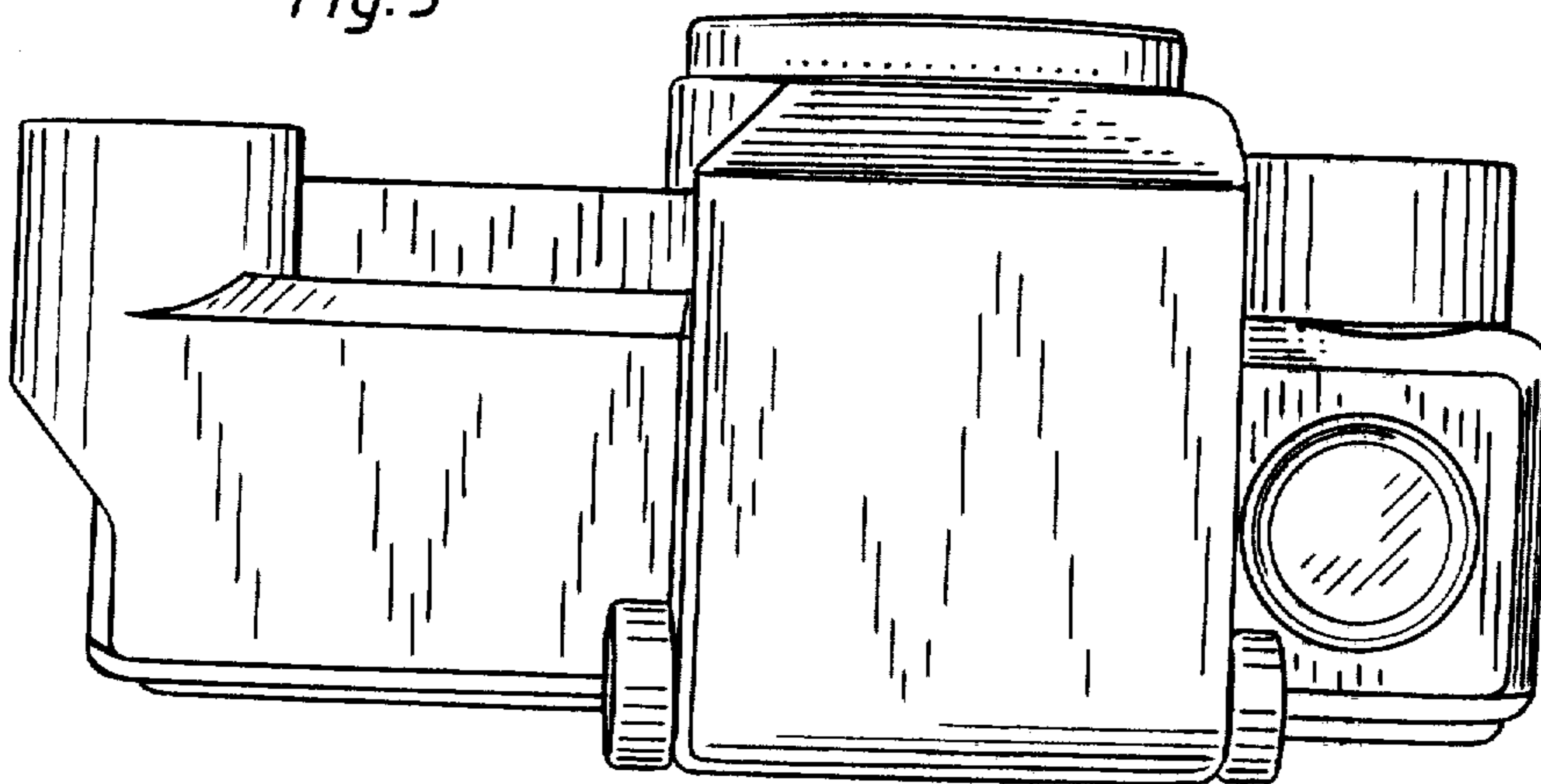


Fig. 5



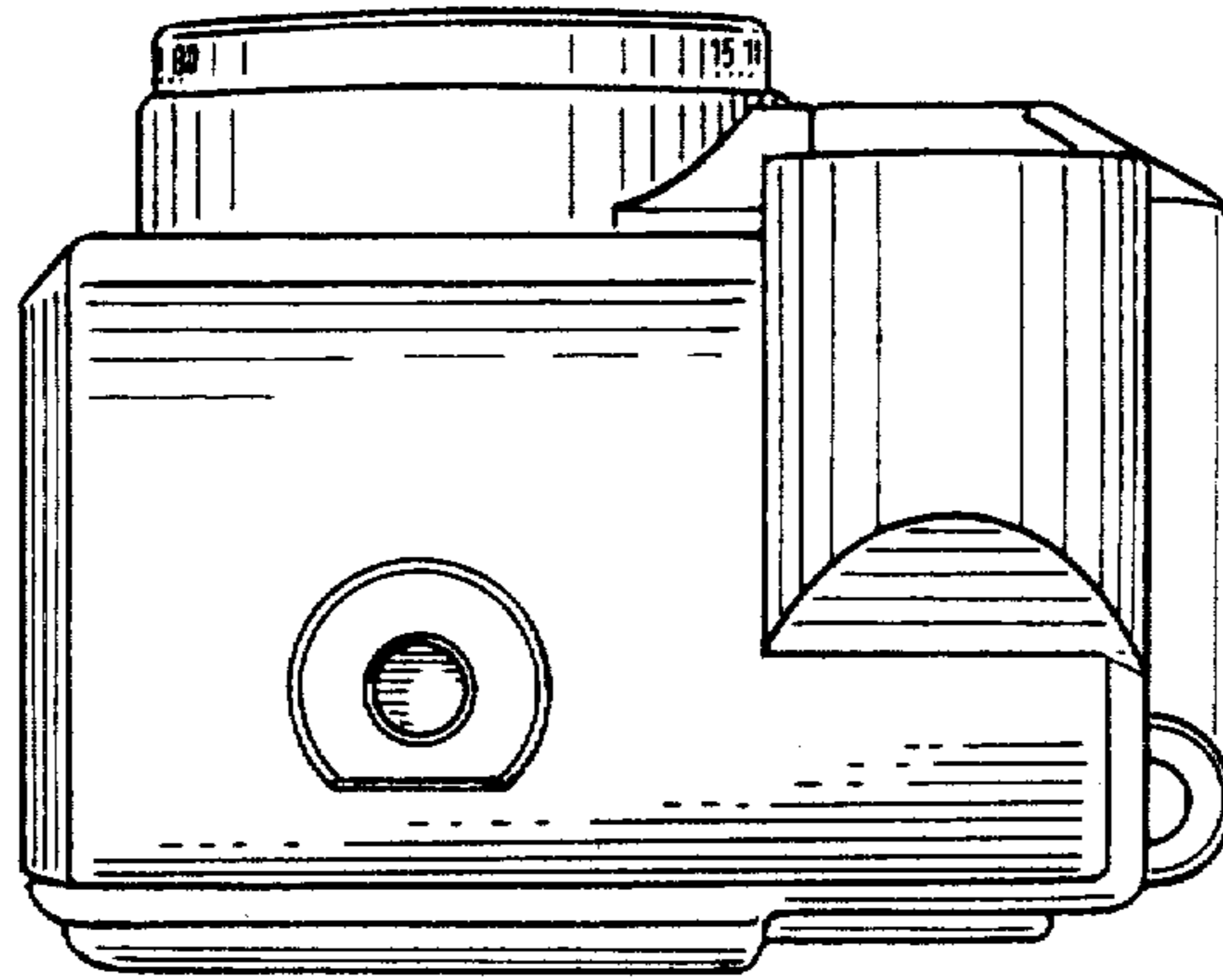


Fig. 7

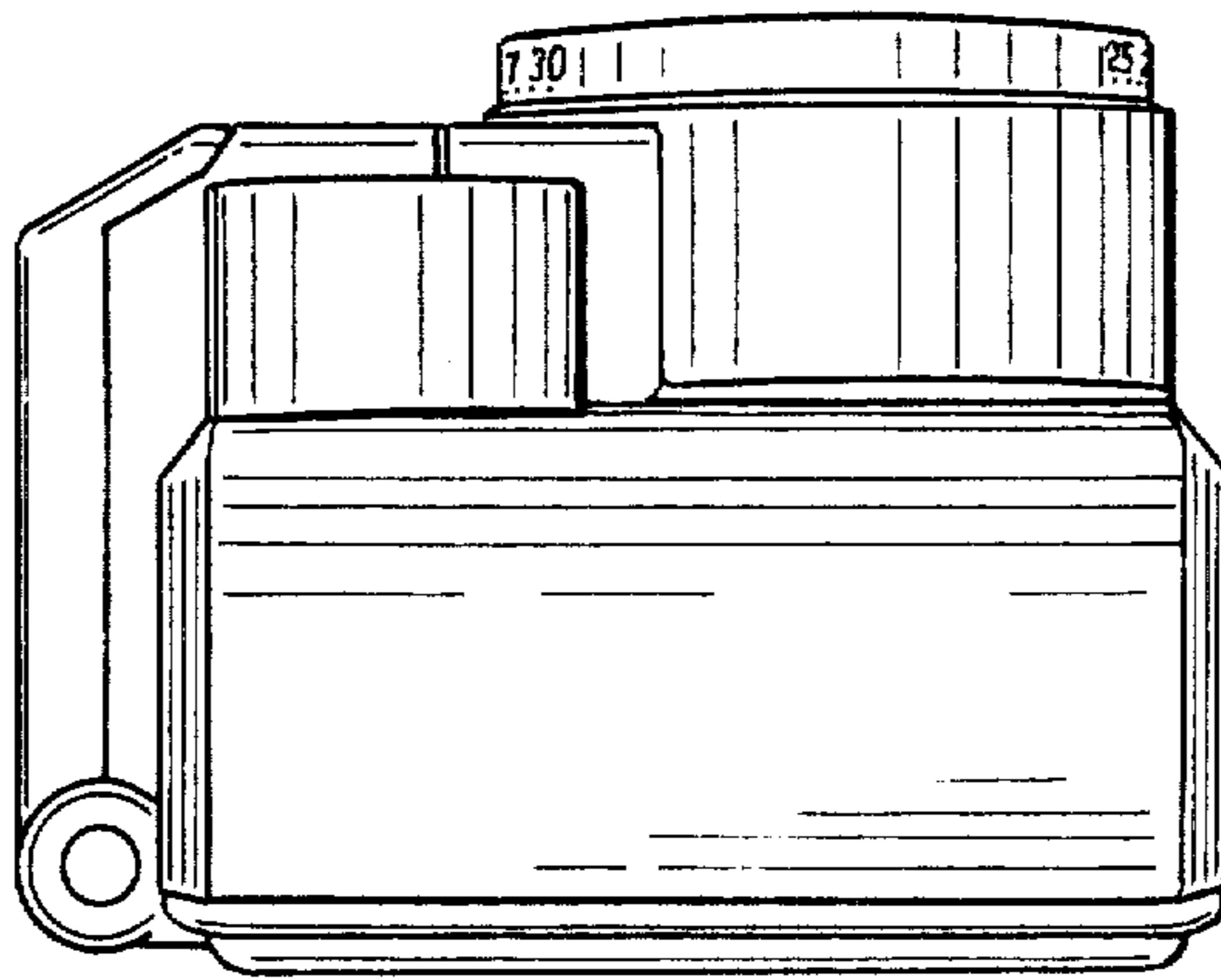


Fig. 8