

[54] SPIRAL MEAT SLICER

[76] Inventors: Robert E. Anderson, 2749 S. Cook, Denver, Colo. 80210; Vincent A. Fazio, 6192 W. Alder Ave., Littleton, Colo. 80123

[**] Term: 14 Years

[21] Appl. No.: 103,166

[22] Filed: Dec. 13, 1979

[51] Int. Cl. D15-08

[52] U.S. Cl. D15/97

[58] Field of Search D15/97; 83/411 R, 591, 83/594, 595, 596

[56] References Cited

U.S. PATENT DOCUMENTS

1,638,416 8/1927 Smith et al. 83/591

Primary Examiner—Peter M. Caun
Attorney, Agent, or Firm—Burton & Dorr

[57] CLAIM

The ornamental design for a spiral meat slicer, as shown.

DESCRIPTION

FIG. 1 is an environmental view of the spiral meat slicer of the present invention shown with a ham (dotted lines) mounted thereon.

FIG. 2 is a front view thereof;

FIG. 3 is a top view thereof;

FIG. 4 is a side view thereof taken from the right of FIG. 2.

FIG. 5 is a back view thereof;

FIG. 6 is a side view thereof taken from the left of FIG. 2;

FIG. 7 is a bottom view thereof.

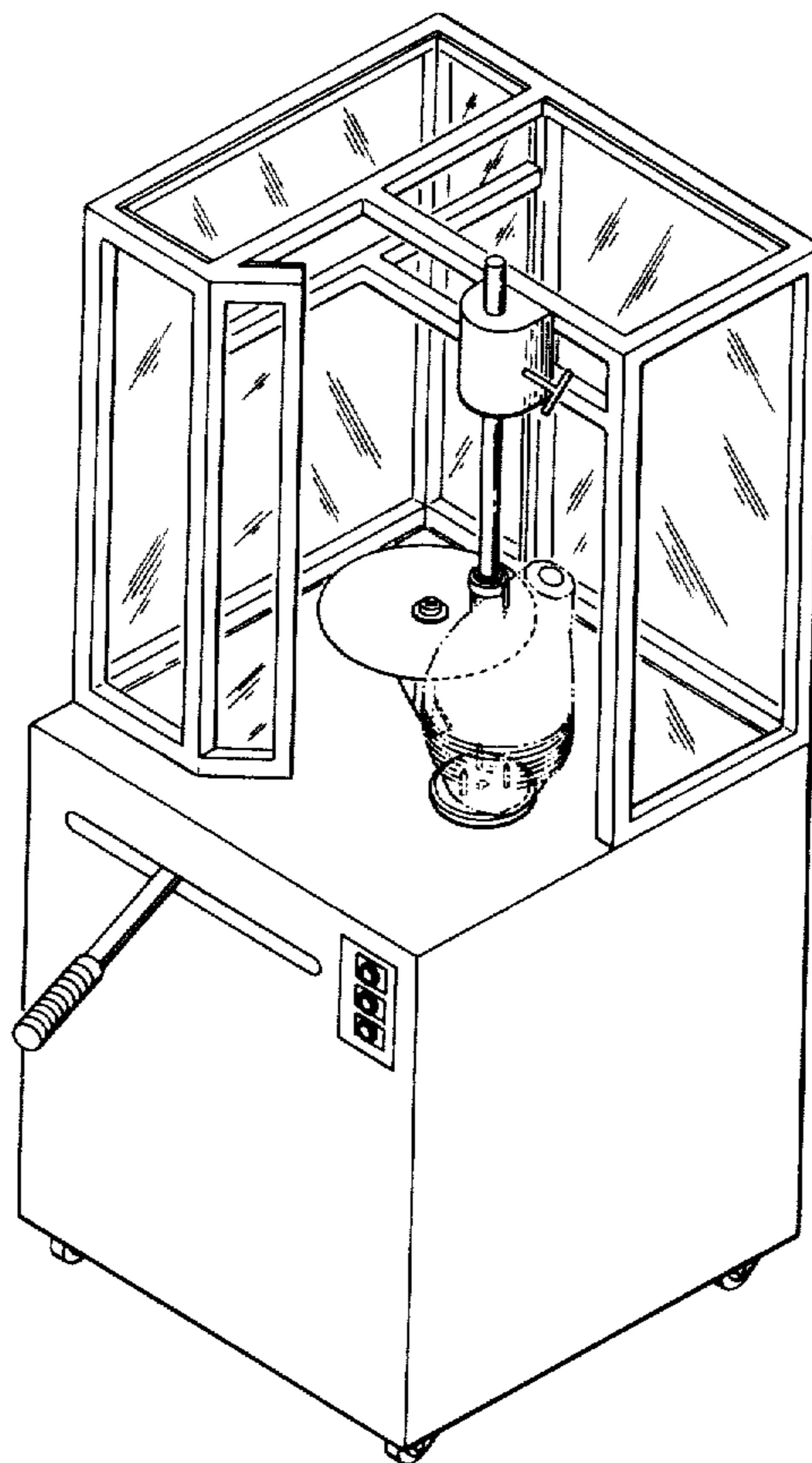
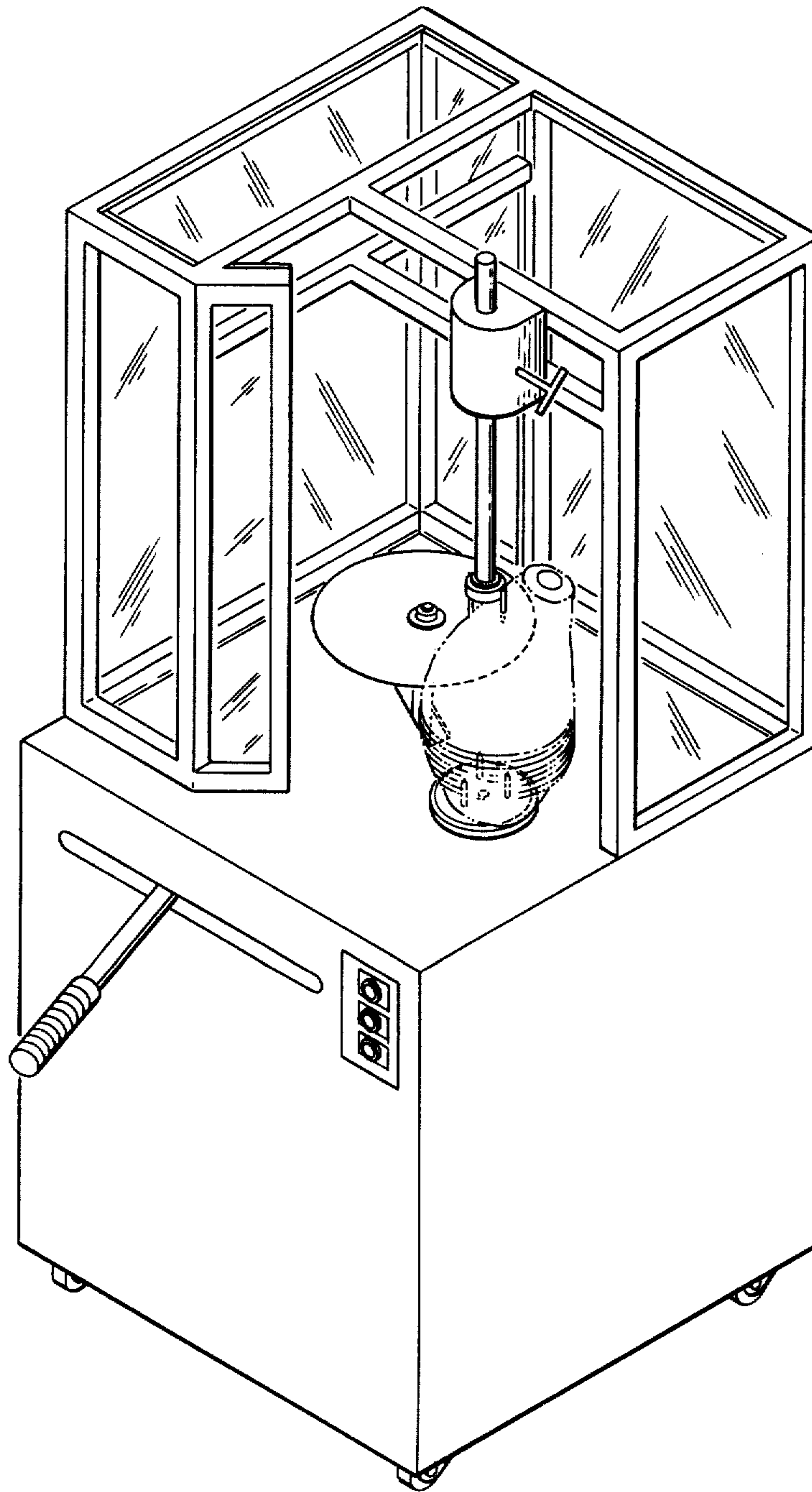


Fig. 1



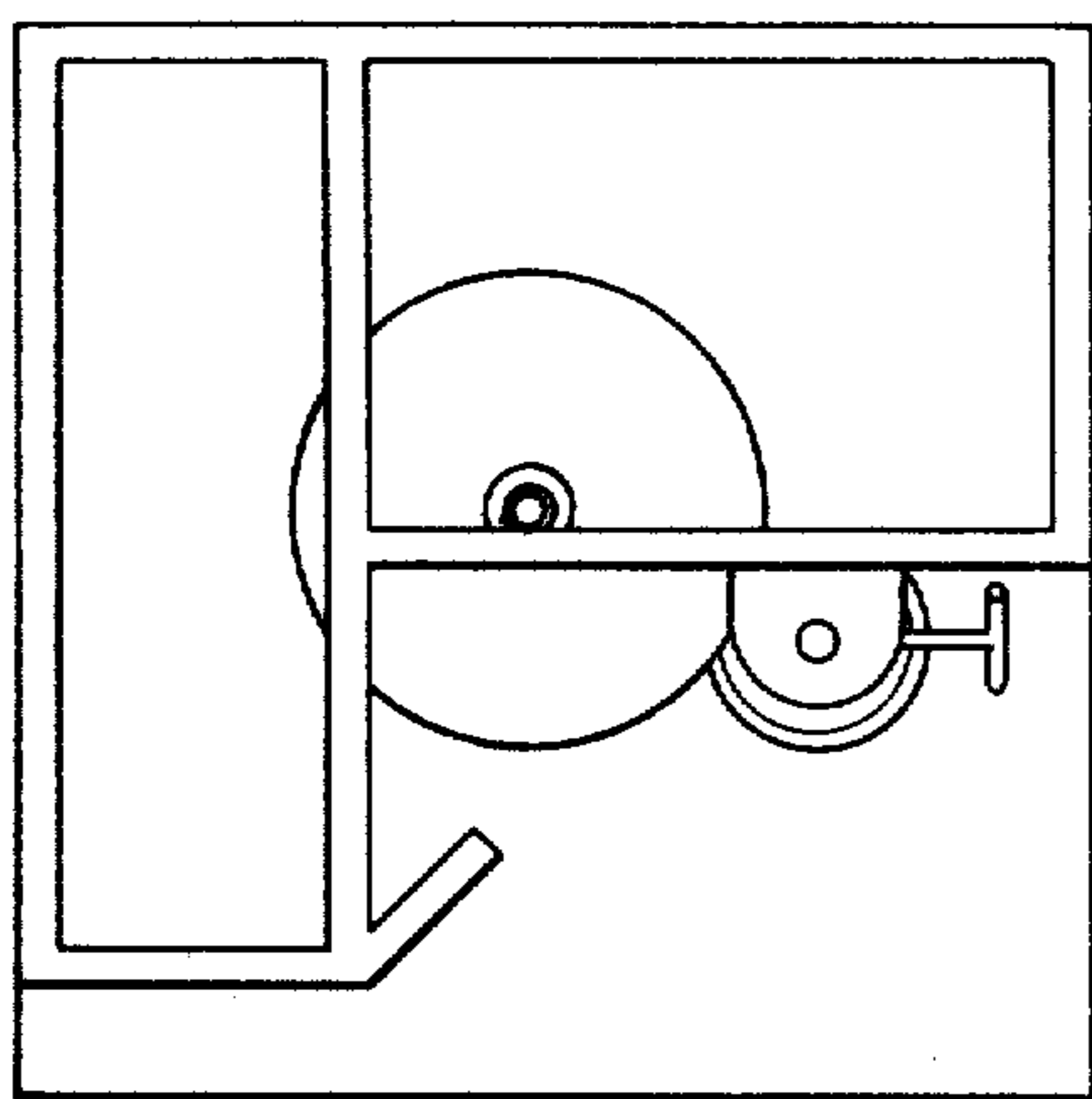


Fig. 3

Fig. 2

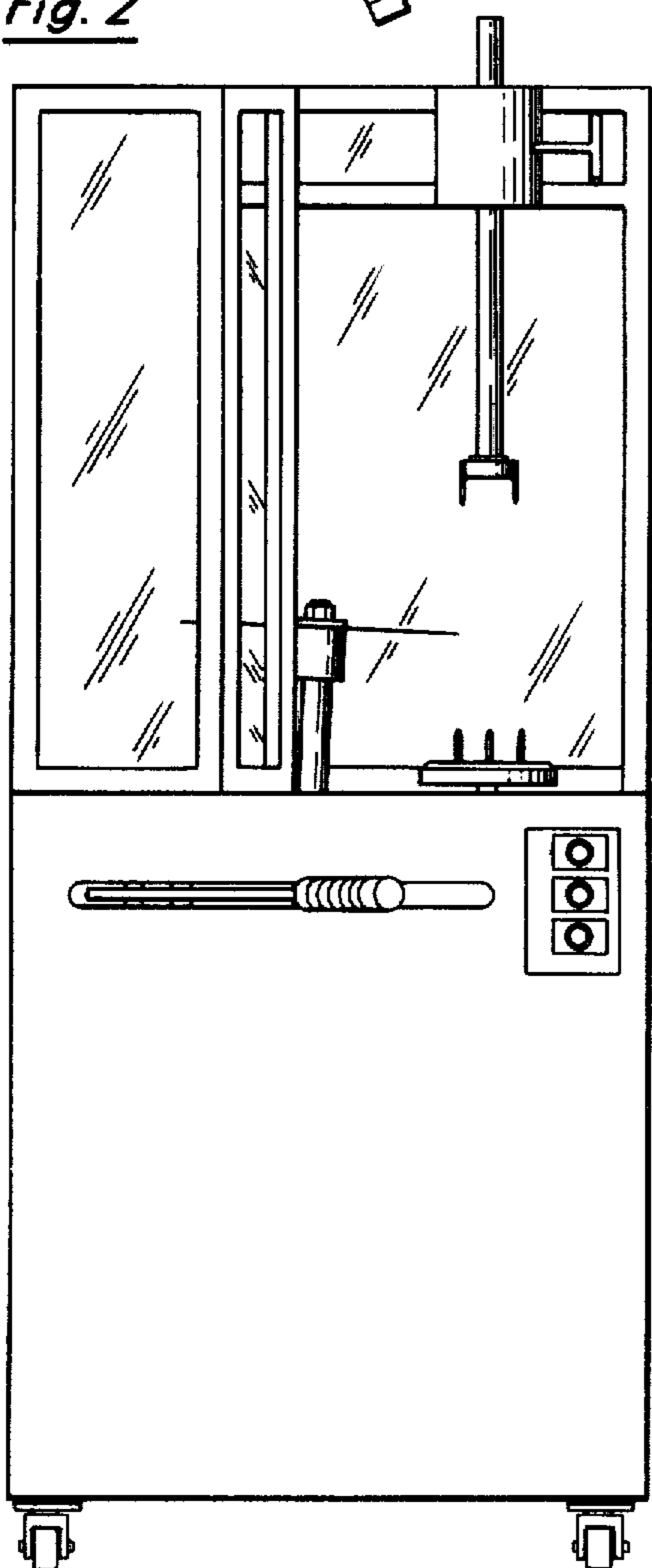


Fig. 4

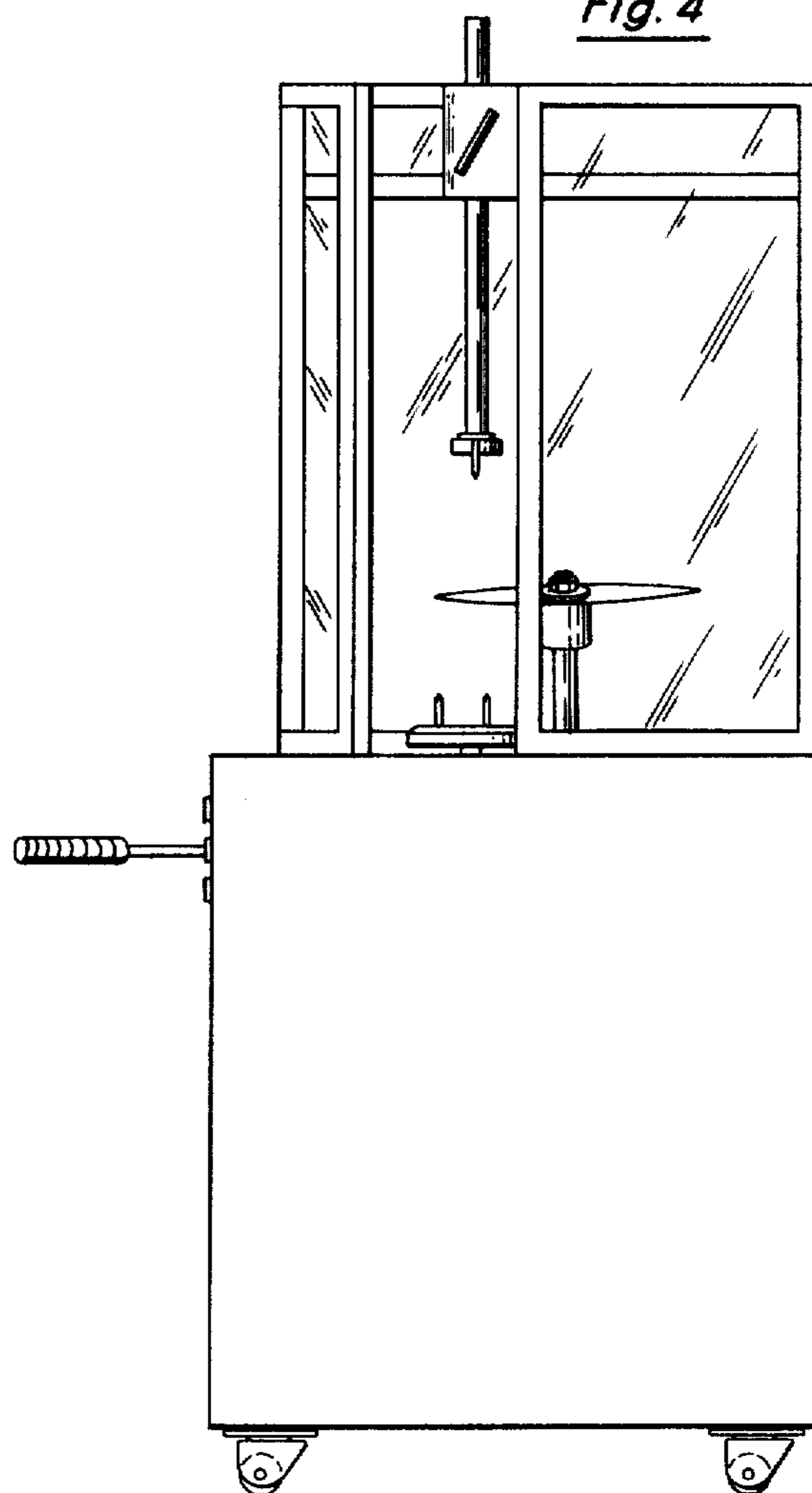


Fig. 5

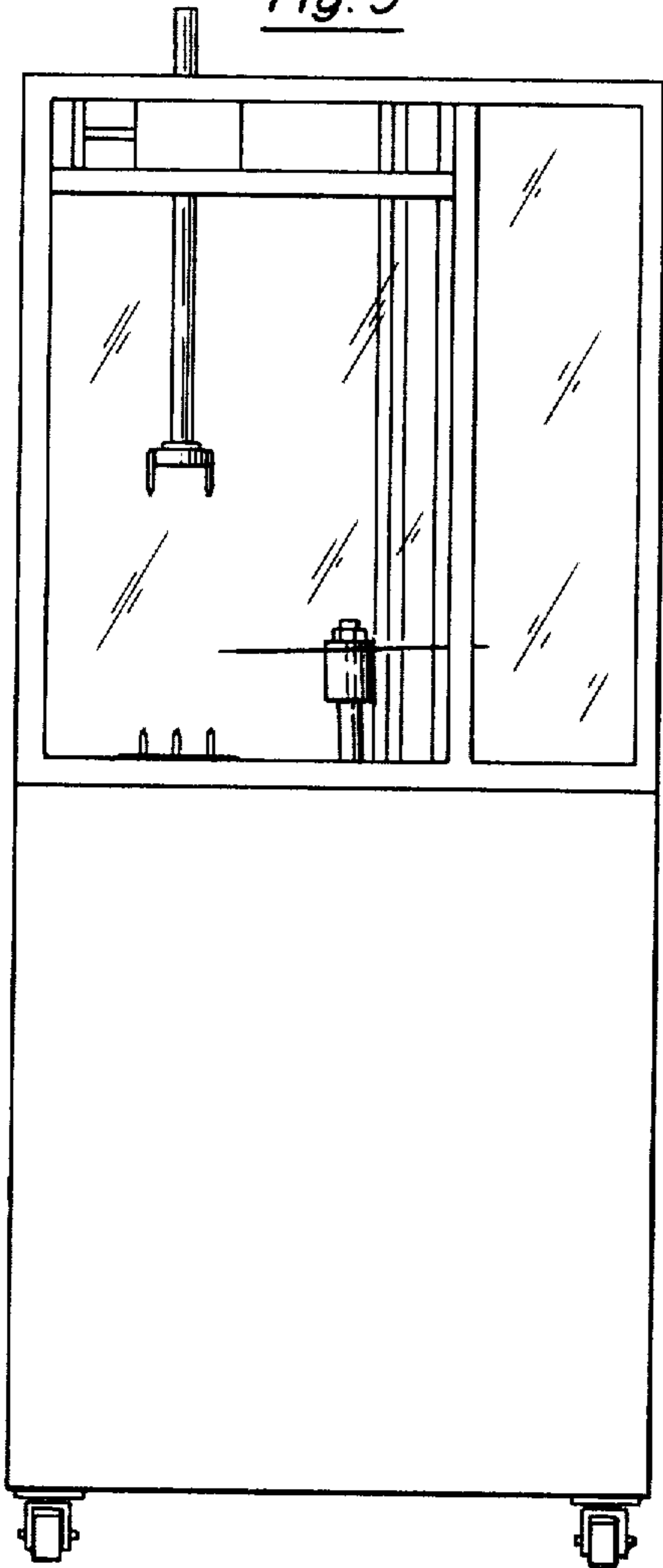


Fig. 6

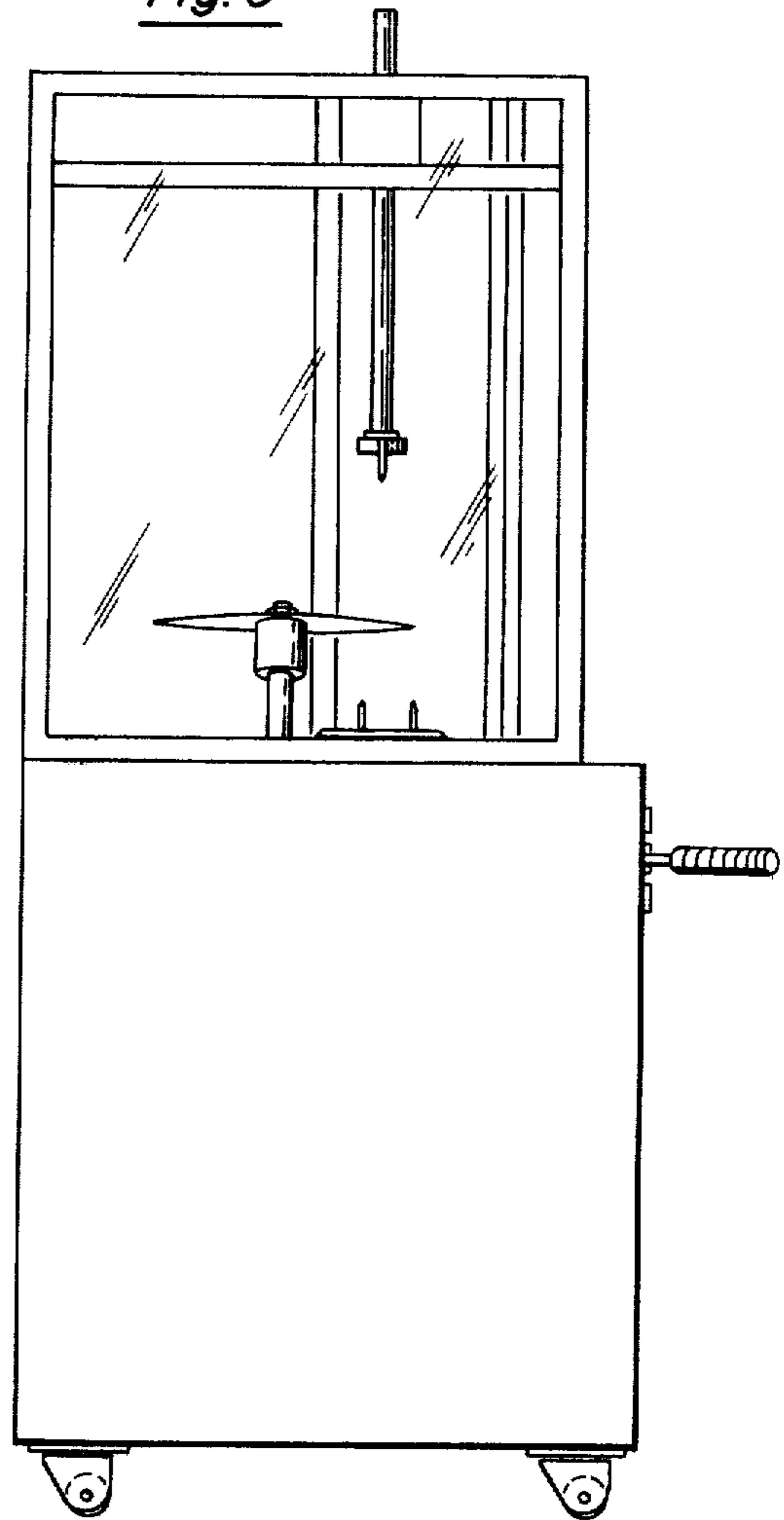


Fig. 7

