

- [54] VACUUM CLEANER NOZZLE
- [75] Inventor: Yoshiaki Ueda, Toyonaka, Japan
- [73] Assignee: Matsushita Electric Industrial Co., Ltd., Osaka, Japan
- [**] Term: 14 Years
- [21] Appl. No.: 968,668
- [22] Filed: Dec. 12, 1978
- [30] Foreign Application Priority Data
Jun. 14, 1978 [JP] Japan 53-25010
- [51] Int. Cl. D15-05
- [52] U.S. Cl. D32/32
- [58] Field of Search D15/52-55,
D15/62-64; 15/300 R, 319, 323-327, 344, 347,
354, 363-367, 377, 378, 415-422

- [56] References Cited
U.S. PATENT DOCUMENTS
D. 239,590 4/1976 Goodman D15/64
D. 248,476 7/1978 Haynes D15/63
D. 253,054 10/1979 Stevens et al. D15/64

Primary Examiner—Catherine E. Kemper
Attorney, Agent, or Firm—Sughrue, Mion, Zinn,
Macpeak & Seas

[57] CLAIM

The ornamental design for a vacuum cleaner nozzle, as shown.

DESCRIPTION

FIG. 1 is a top, front and right side perspective view of a vacuum cleaner nozzle showing my new design; FIG. 2 is a top plan view thereof; FIG. 3 is a top, rear and right side perspective view thereof; and FIG. 4 is a bottom, front and left side perspective view thereof.

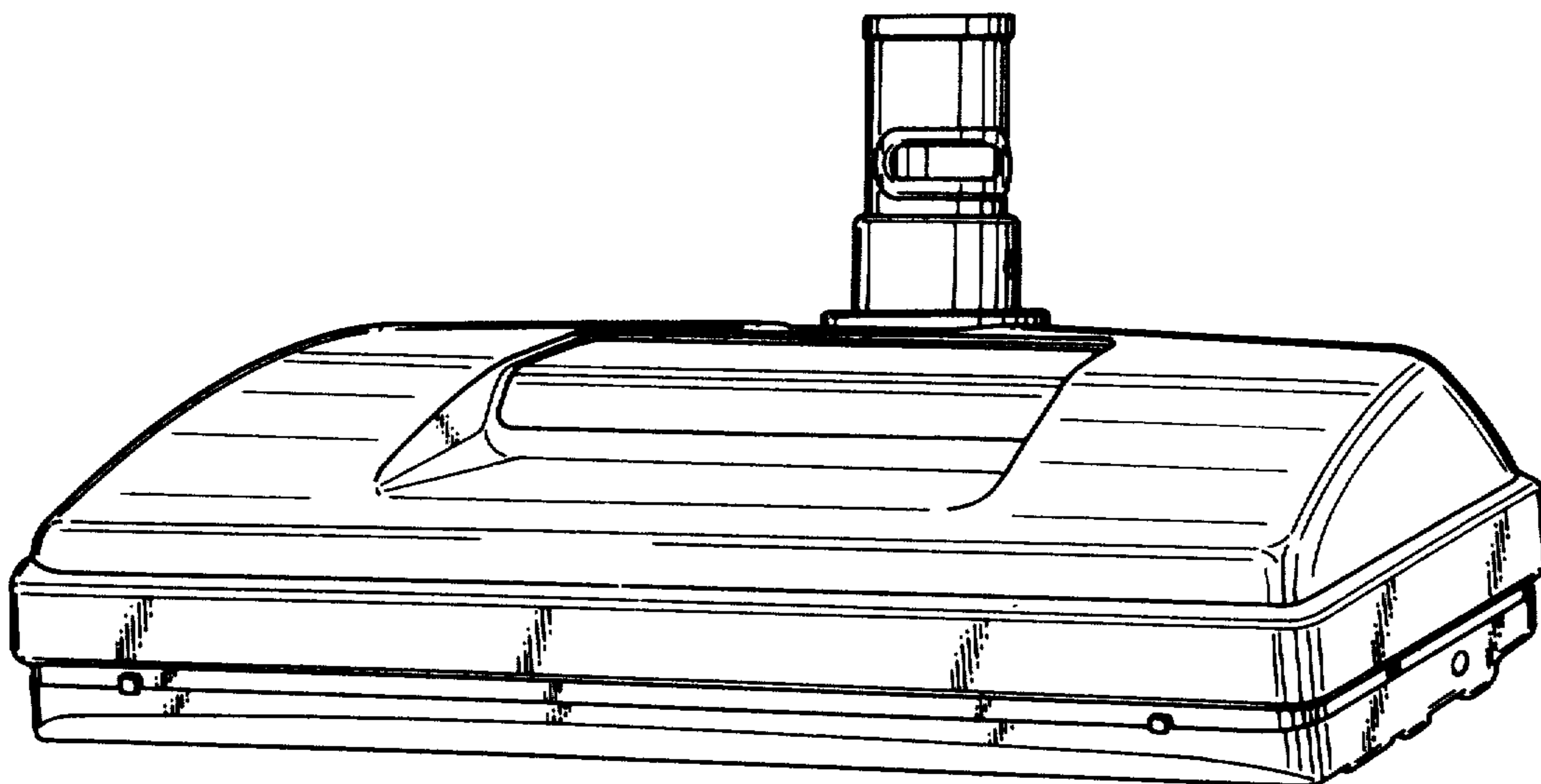


Fig. 1

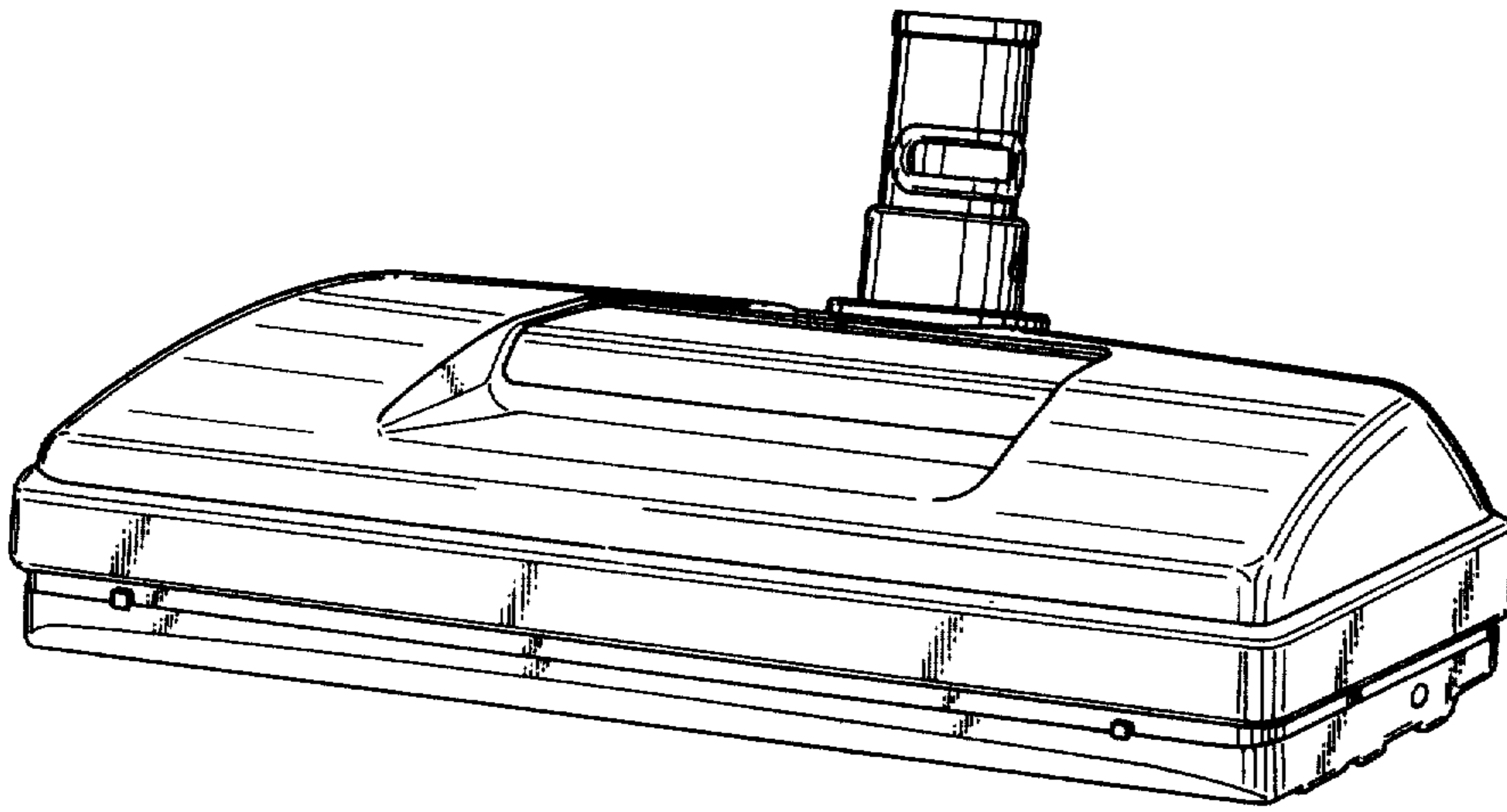


Fig. 2

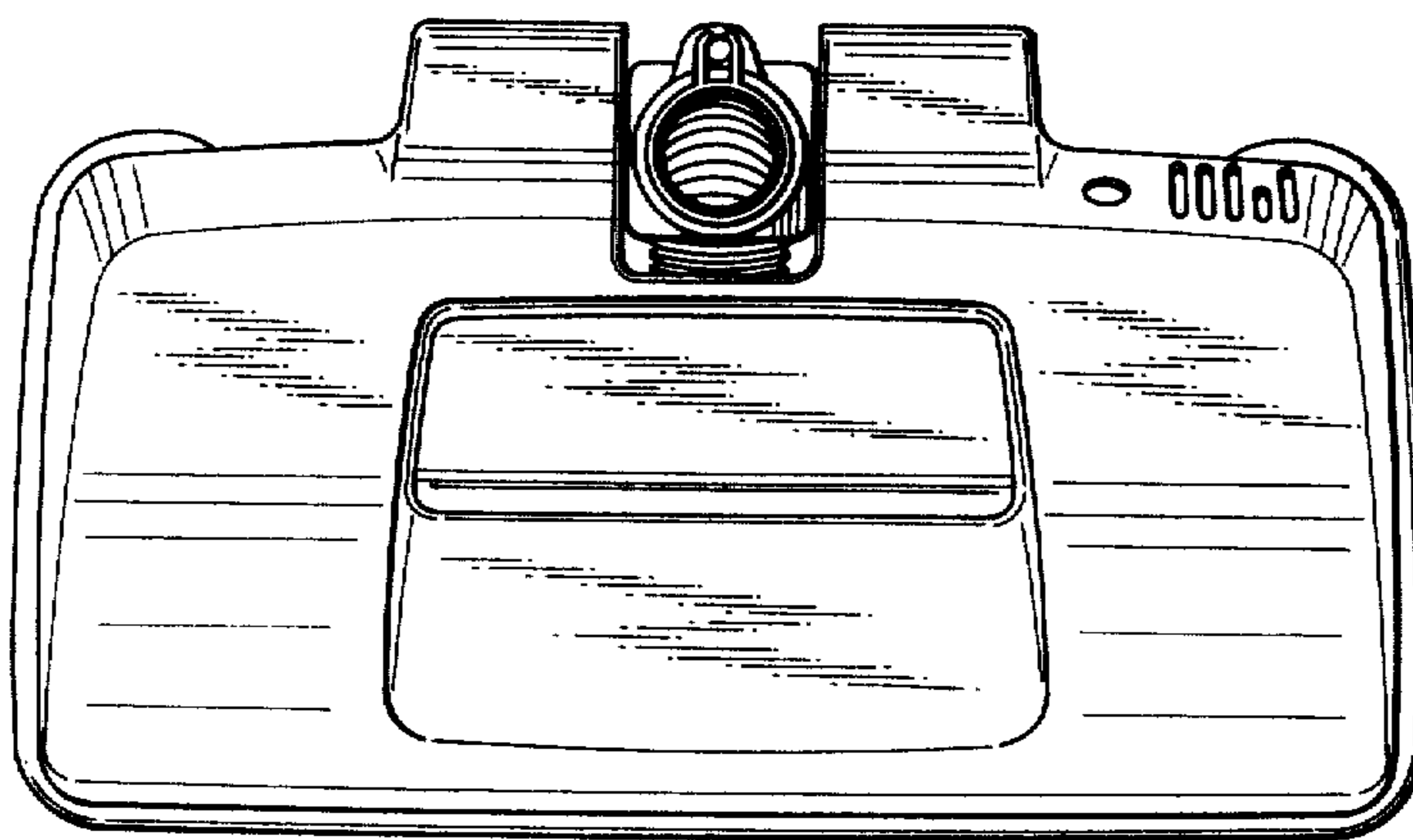


Fig. 3

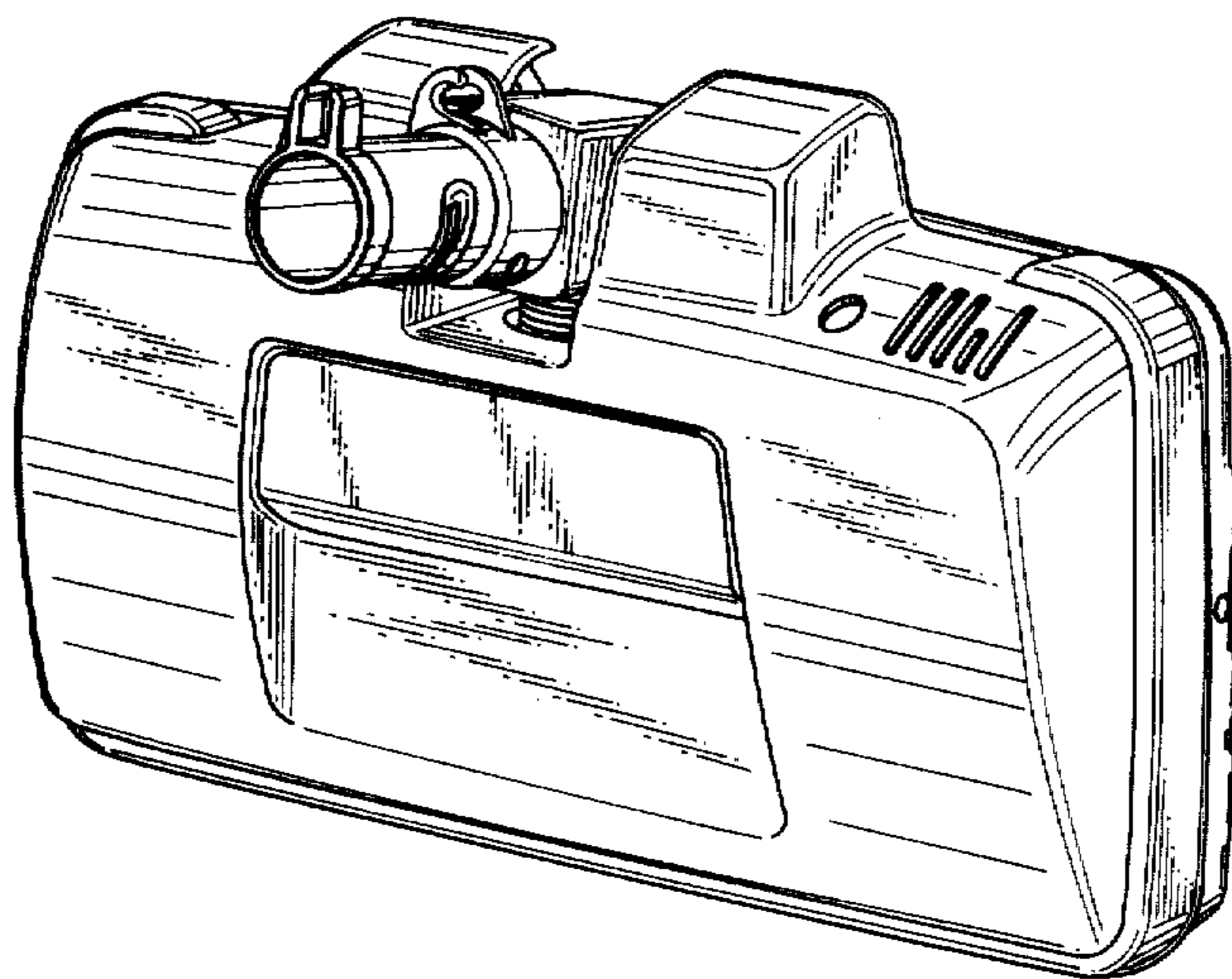


Fig. 4

