

[54] DELEAVER OR SIMILAR ARTICLE

- [75] Inventor: Andrew L. Alger, Wilmette, Ill.
- [73] Assignee: UARCO Incorporated, Barrington, Ill.
- [\*\*] Term: 14 Years
- [21] Appl. No.: 158,934
- [22] Filed: Jun. 12, 1980

- [51] Int. Cl. .... D14-02
- [52] U.S. Cl. .... D14/110
- [58] Field of Search ..... D18/13, 22, 99; D16/32;  
D14/110; 270/52.5

[56] References Cited

U.S. PATENT DOCUMENTS

- |            |        |              |       |          |
|------------|--------|--------------|-------|----------|
| D. 194,568 | 2/1963 | Mox          | ..... | D14/110  |
| D. 235,920 | 7/1975 | Alger et al. | ..... | D14/110  |
| D. 235,922 | 7/1975 | Alger et al. | ..... | D14/110  |
| D. 252,272 | 7/1979 | Barrett      | ..... | D18/22 X |

OTHER PUBLICATIONS

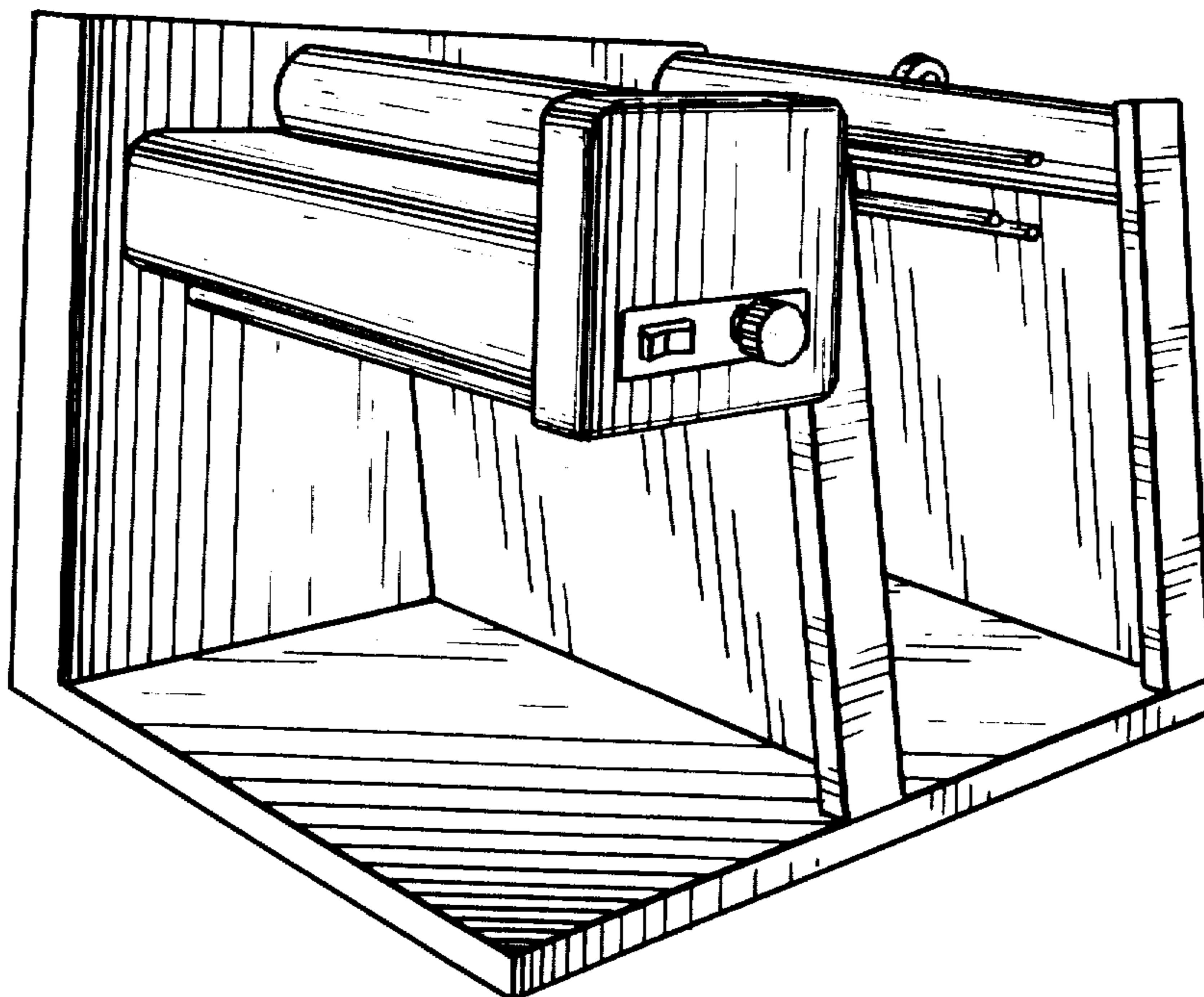
- Office Products*, Oct. 1978, p. 165—Decollator at upper left.
- Office Products*, Jan. 1979, p. 44—Decollator at center right.
- Primary Examiner*—Louis S. Zarfes
- Attorney, Agent, or Firm*—Wegner, Stellman, McCord, Wood & Dalton

[57] CLAIM

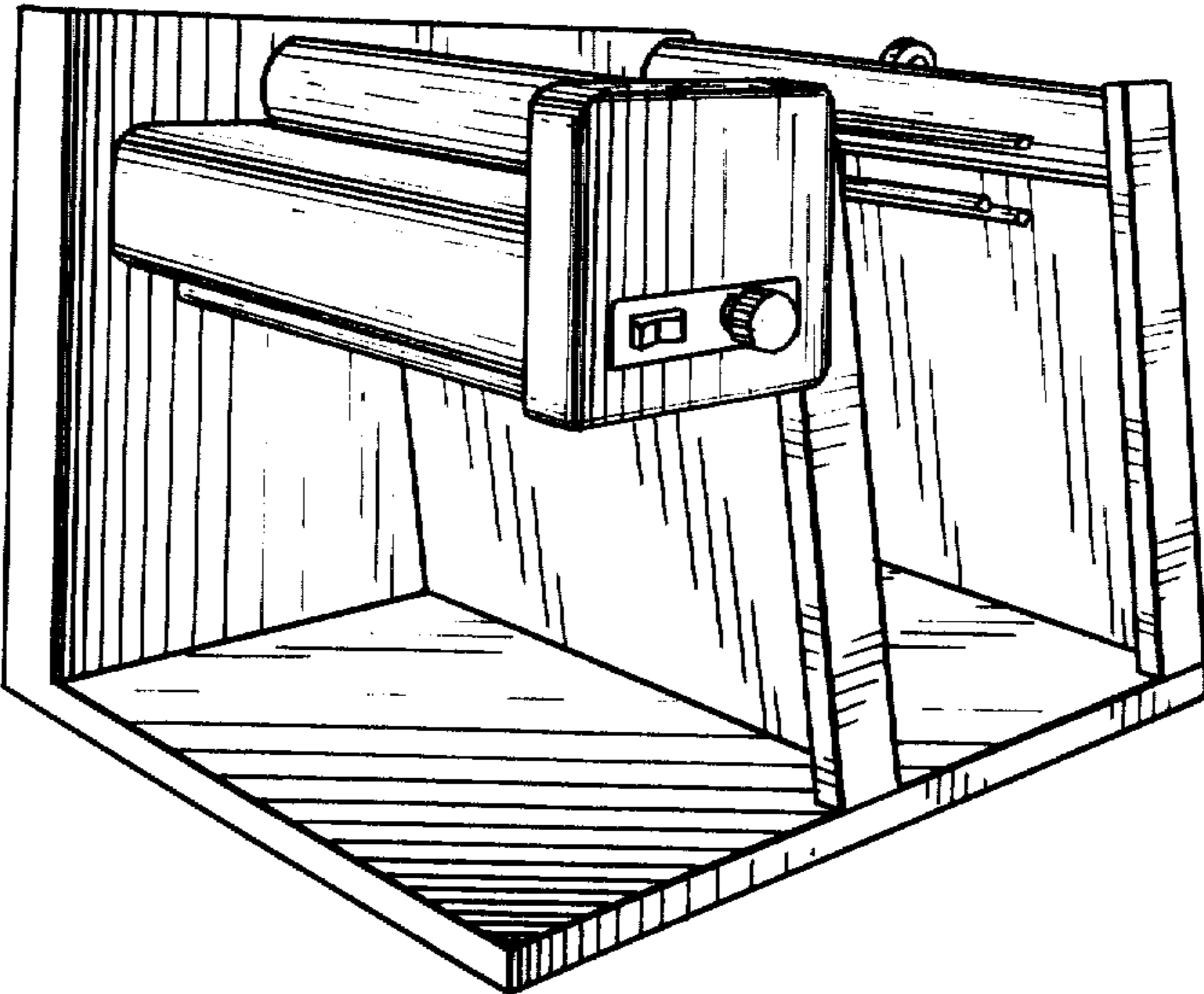
The ornamental design for a deleaver or similar article, substantially as shown and described.

DESCRIPTION

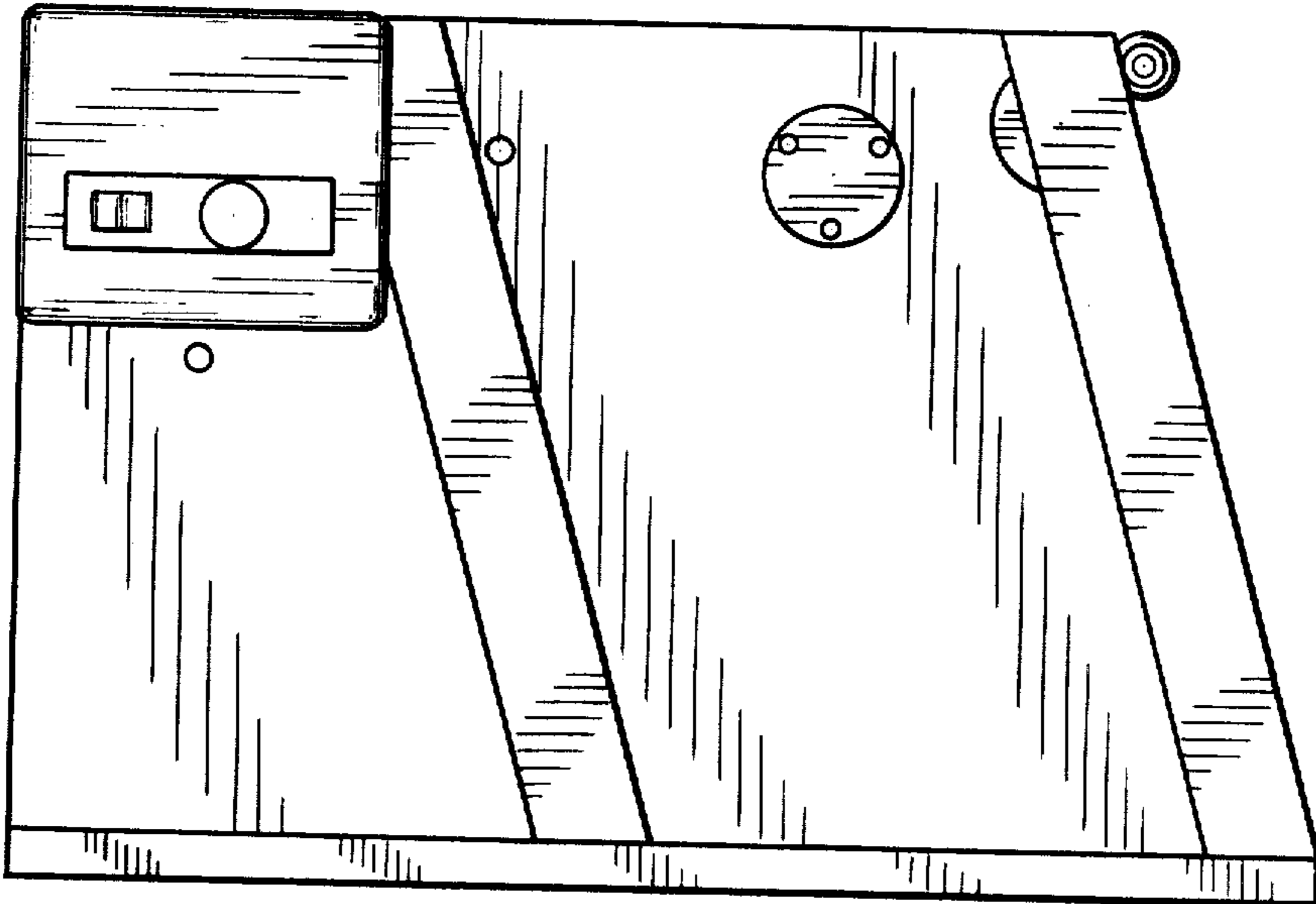
FIG. 1 is a perspective view of two adjacent sides of a deleaver showing my new design; FIG. 2 is a front elevational view; FIG. 3 is a side elevational view from the left of FIG. 2; FIG. 4 is a top plan view; and FIG. 5 is a side elevational view from the right of FIG. 2.  
The bottom and rear sides are plain and unornamented.



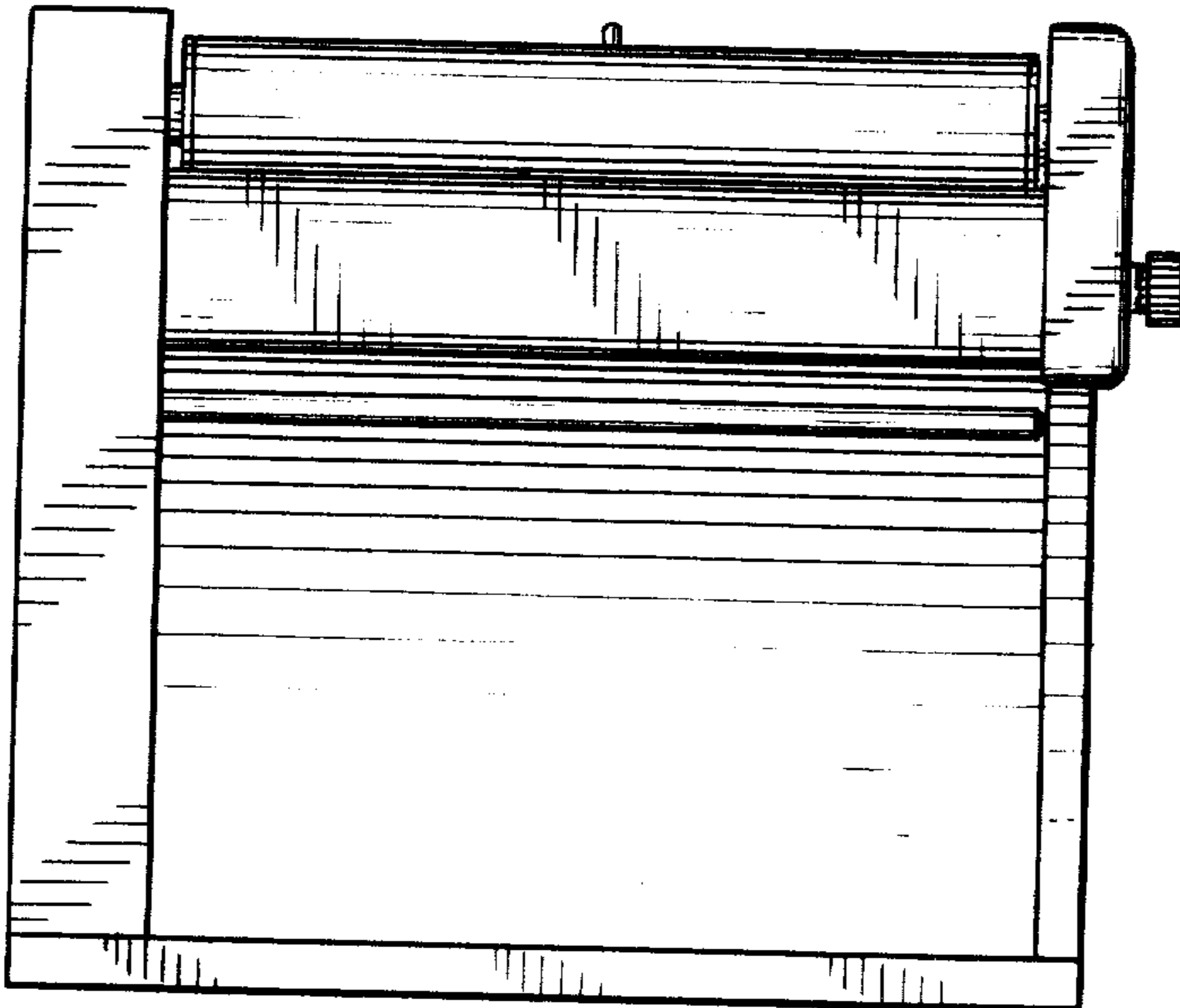
*Fig. 1.*



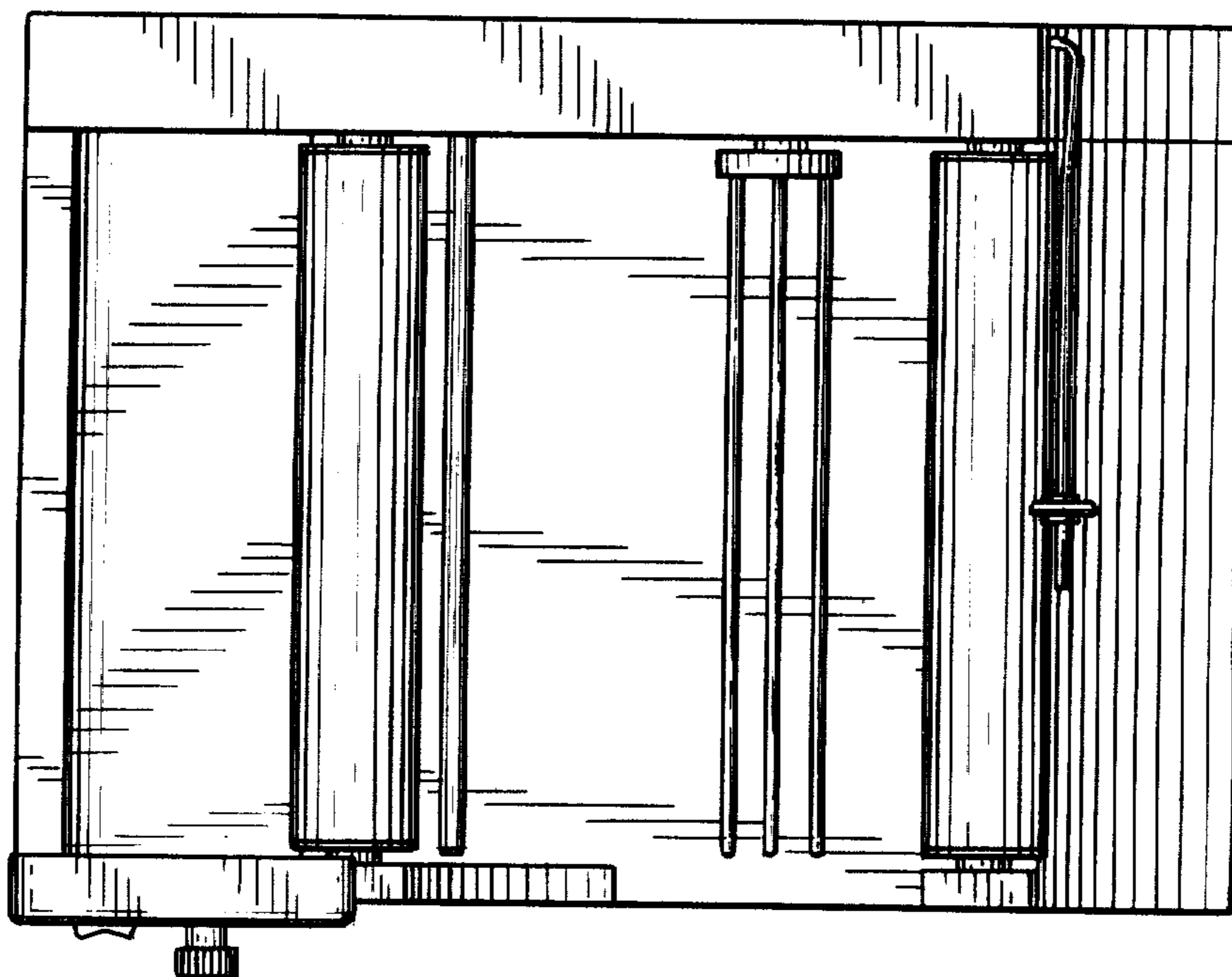
*Fig. 2.*



*Fig. 3.*



*Fig. 4.*



*Fig. 5.*

