

[54] VIDEO TAPE RECORDER CONTROLLER

[75] Inventors: **Koya Kurokawa; Noriyuki Arai; Hideo Takahashi; Taisuke Saeki**, all of Saijyo, Japan

[73] Assignee: **Matsushita Electric Industrial Co., Ltd.**, Osaka, Japan

[**] Term: **14 Years**

[21] Appl. No.: **18,395**

[22] Filed: **Mar. 7, 1979**

[30] Foreign Application Priority Data

Dec. 7, 1978 [JP] Japan 53-38173

[51] Int. Cl. **D14-01**

[52] U.S. Cl. **D14/02; D14/3; D14/6**

[58] Field of Search D14/2, 3, 6, 95, 96; 360/33-38, 79; 358/5, 192.1, 128.6, 185, 229

[56] References Cited

U.S. PATENT DOCUMENTS

D. 224,017 6/1972 Rudin D14/2

D. 246,041 10/1977 Bellini D14/6

D. 248,853 8/1978 Walz et al. D14/6 X

D. 250,471 12/1978 Nishigaki D14/2

D. 257,840 1/1981 Kotsuka D14/2

D. 258,057 1/1981 Takanaga et al. D14/2

D. 258,058 1/1981 Dietrich D14/6

Primary Examiner—Bernard Ansher
 Attorney, Agent, or Firm—Sughrue, Mion, Zinn, Macpeak & Seas

[57] CLAIM

The ornamental design for a video tape recorder controller, as shown and described.

DESCRIPTION

FIG. 1 is a front, top and right side perspective view of a video tape recorder controller showing our new design, as a first embodiment;

FIG. 2 is a rear, bottom and left side perspective view thereof; and

FIG. 3 is a front, top and right side perspective view of the video tape recorder controller showing our new design as a second embodiment, the rear, bottom and left side conforming identically to that of the embodiment of FIG. 1.

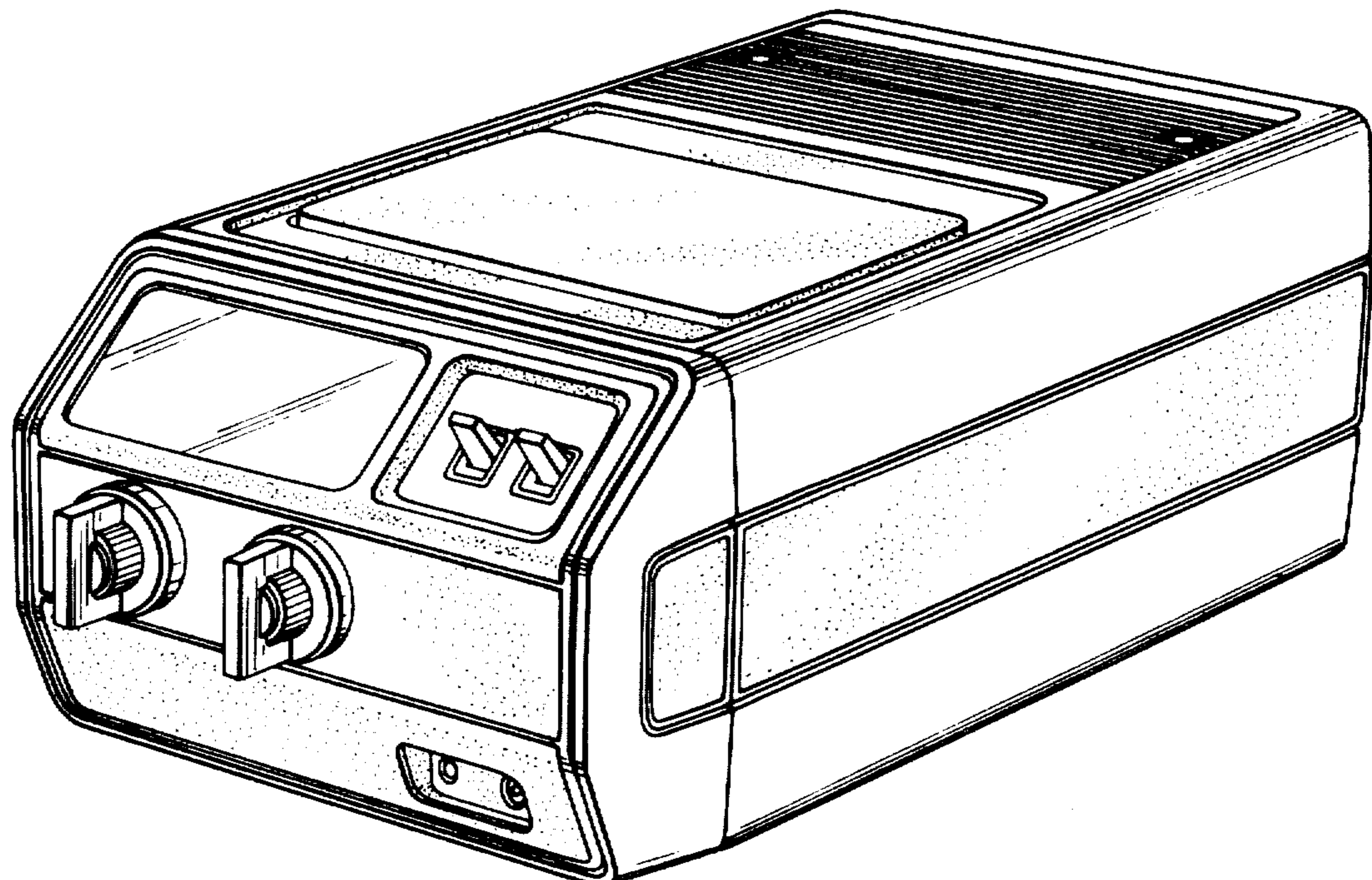


FIG. 1

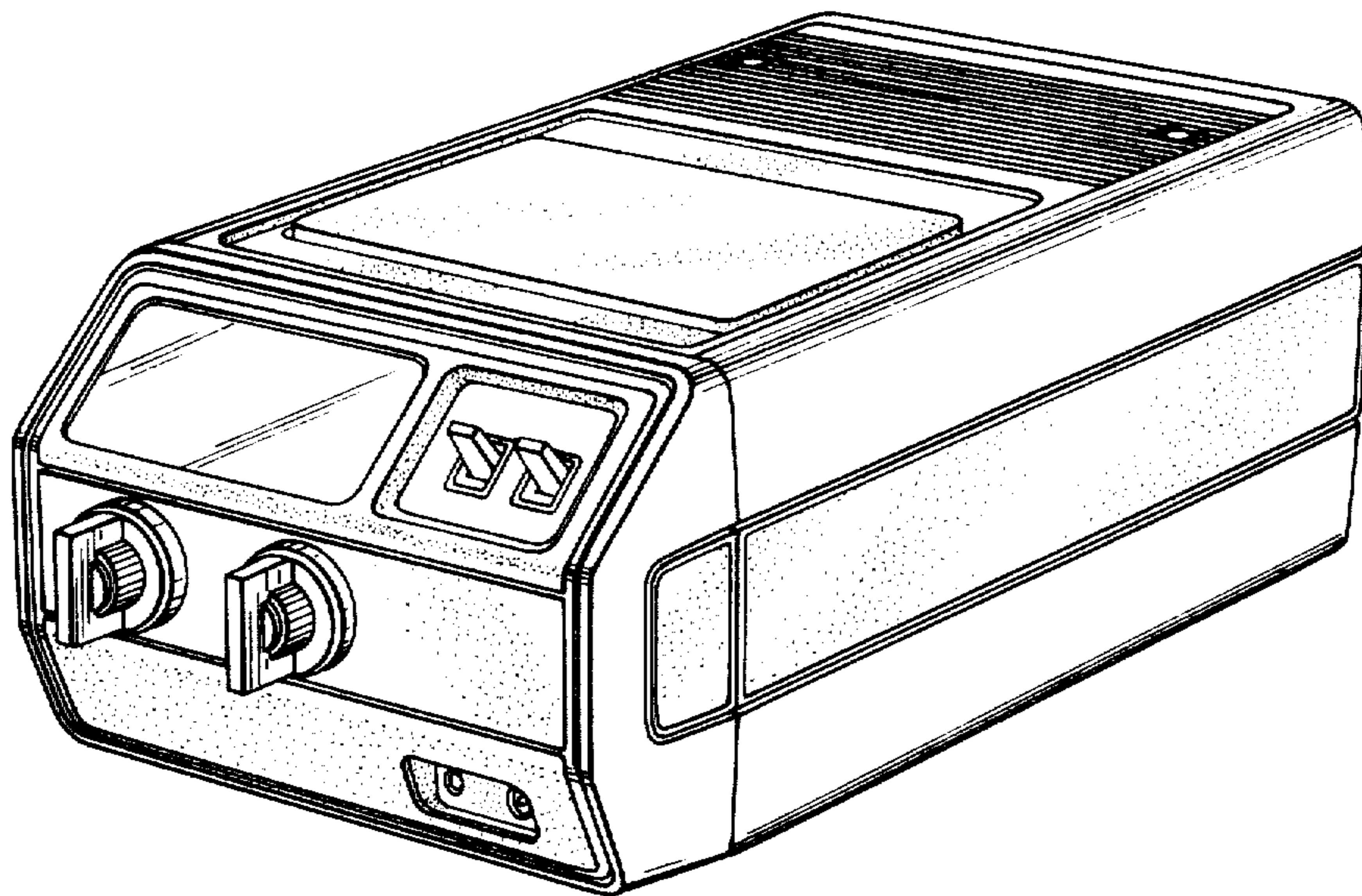


FIG. 2

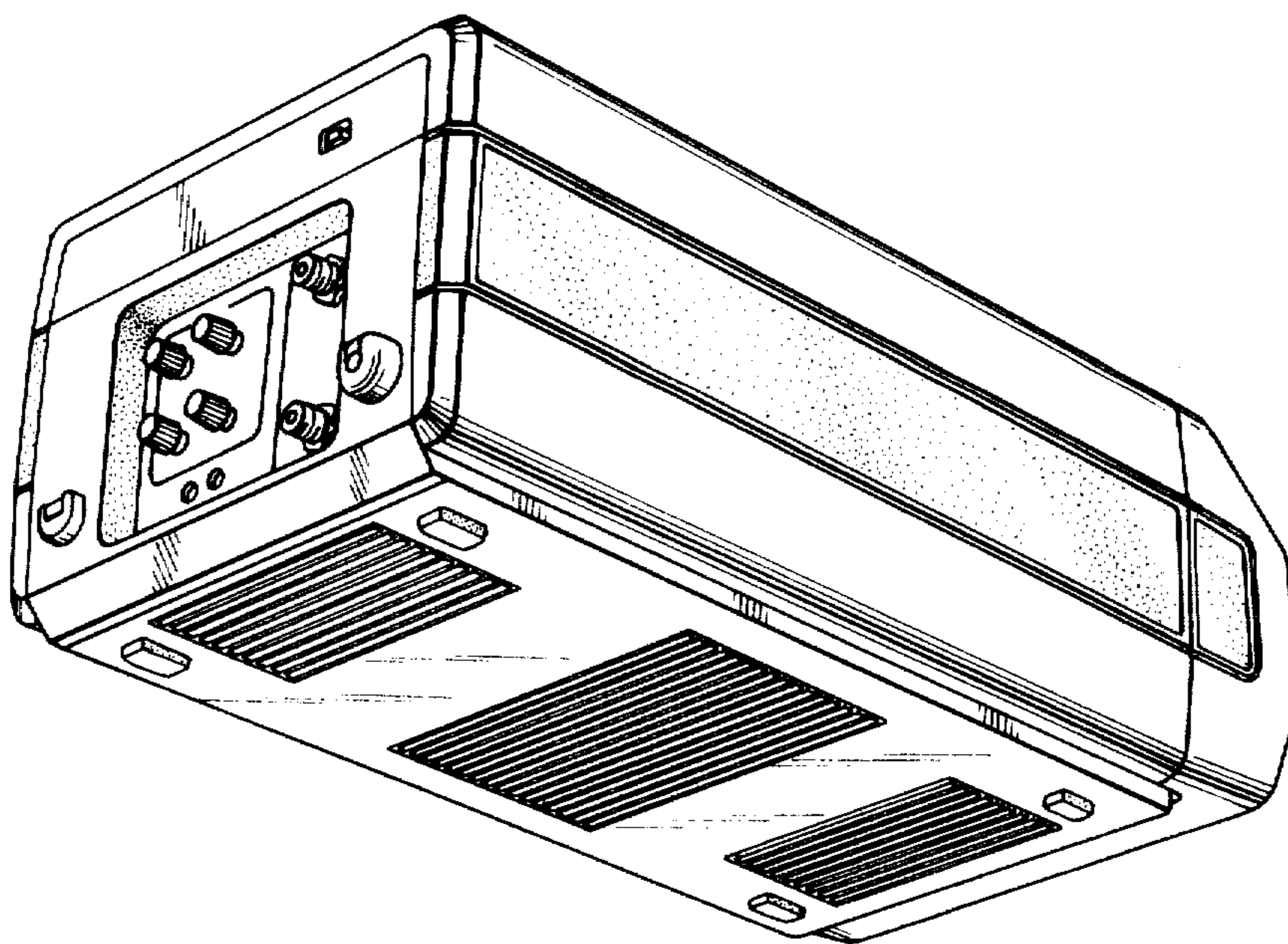


FIG. 3

