

- [54] VIDEO TAPE RECORDER TUNER
- [75] Inventors: **Koya Kurokawa; Noriyuki Arai; Hideo Takahashi; Taisuke Saeki**, all of Saijyo, Japan
- [73] Assignee: **Matsushita Electric Industrial Co., Ltd.**, Osaka, Japan
- [**] Term: **14 Years**
- [21] Appl. No.: **18,213**
- [22] Filed: **Mar. 7, 1979**
- [30] Foreign Application Priority Data
Sep. 8, 1978 [JP] Japan 53/38537
- [51] Int. Cl. **D14-01**
- [52] U.S. Cl. **D14/2; D14/3; D14/6**
- [58] Field of Search **D14/2, 3, 6, 95, 96; 360/33-38, 79; 358/5, 192.1, 128.6, 185, 229**

- [56] **References Cited**
U.S. PATENT DOCUMENTS
D. 224,017 6/1972 Rudin D14/2
D. 246,041 10/1977 Bellini D14/6
D. 257,840 1/1981 Kotsuka et al. D14/2
D. 258,058 1/1981 Dietrich D14/6 X

Primary Examiner—Bernard Ansher
Attorney, Agent, or Firm—Sughrue, Mion, Zinn, Macpeak & Seas

[57] **CLAIM**

The ornamental design for a video tape recorder tuner, as shown and described.

DESCRIPTION

FIG. 1 is a front, top and right side perspective view of a video tape recorder controller showing our new design as a first embodiment thereof;
 FIG. 2 is a rear, bottom and left side perspective view thereof; and
 FIG. 3 is a front, top and right side perspective view of the video tape recorder tuner showing our new design as a second embodiment thereof, the rear, bottom and left sides thereof being identical to that of FIG. 1.

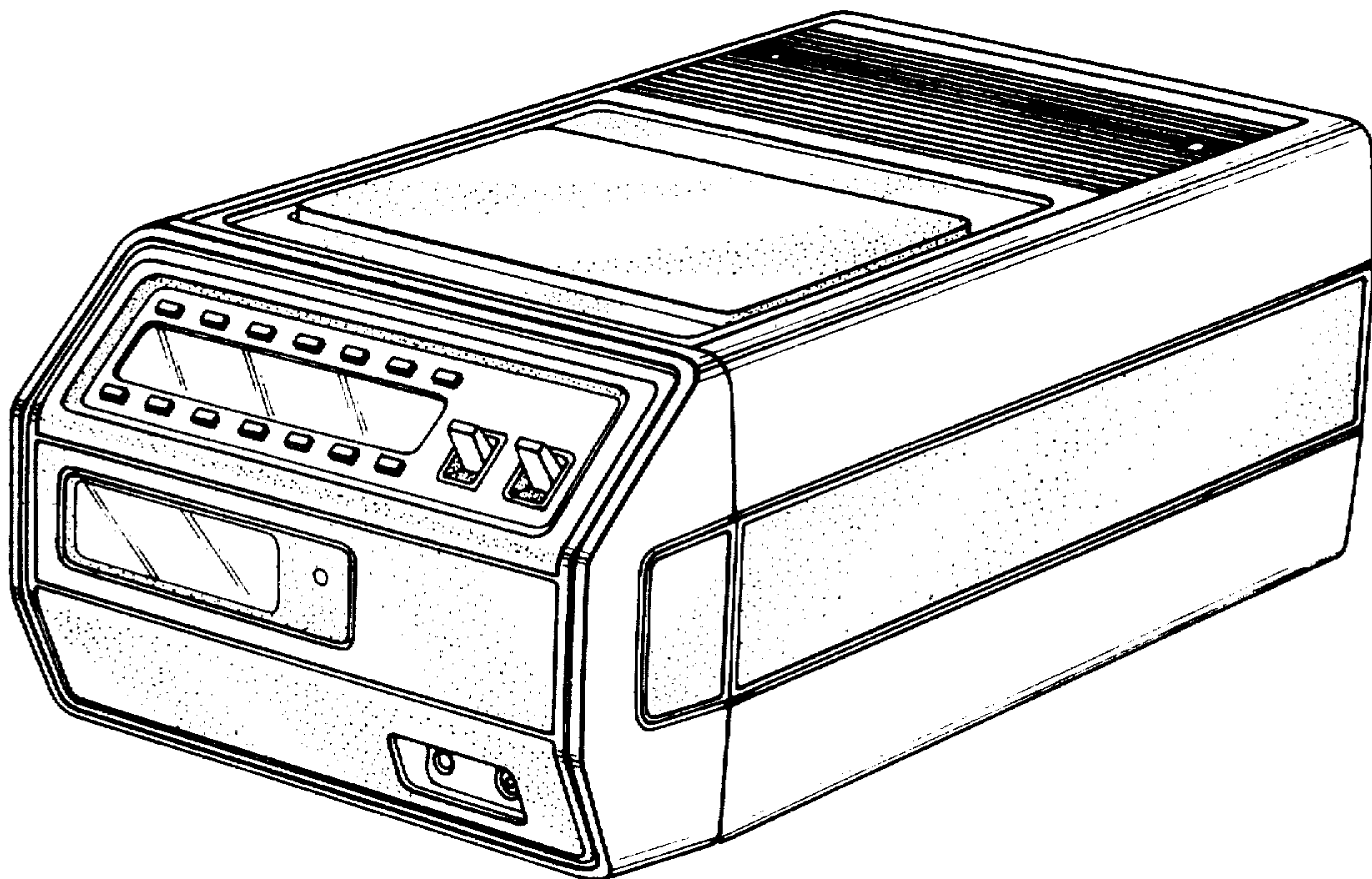


FIG. 1

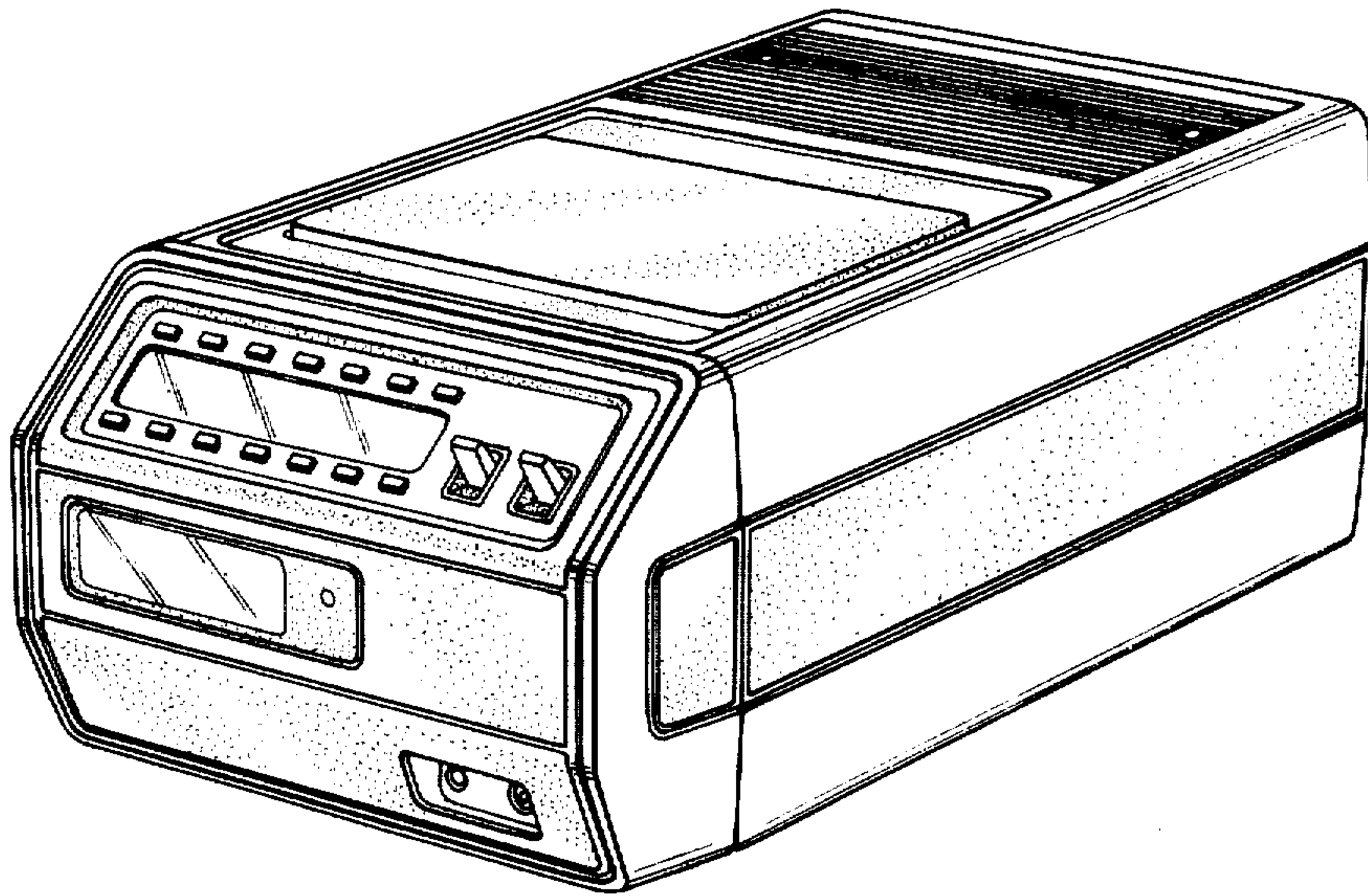


FIG. 2

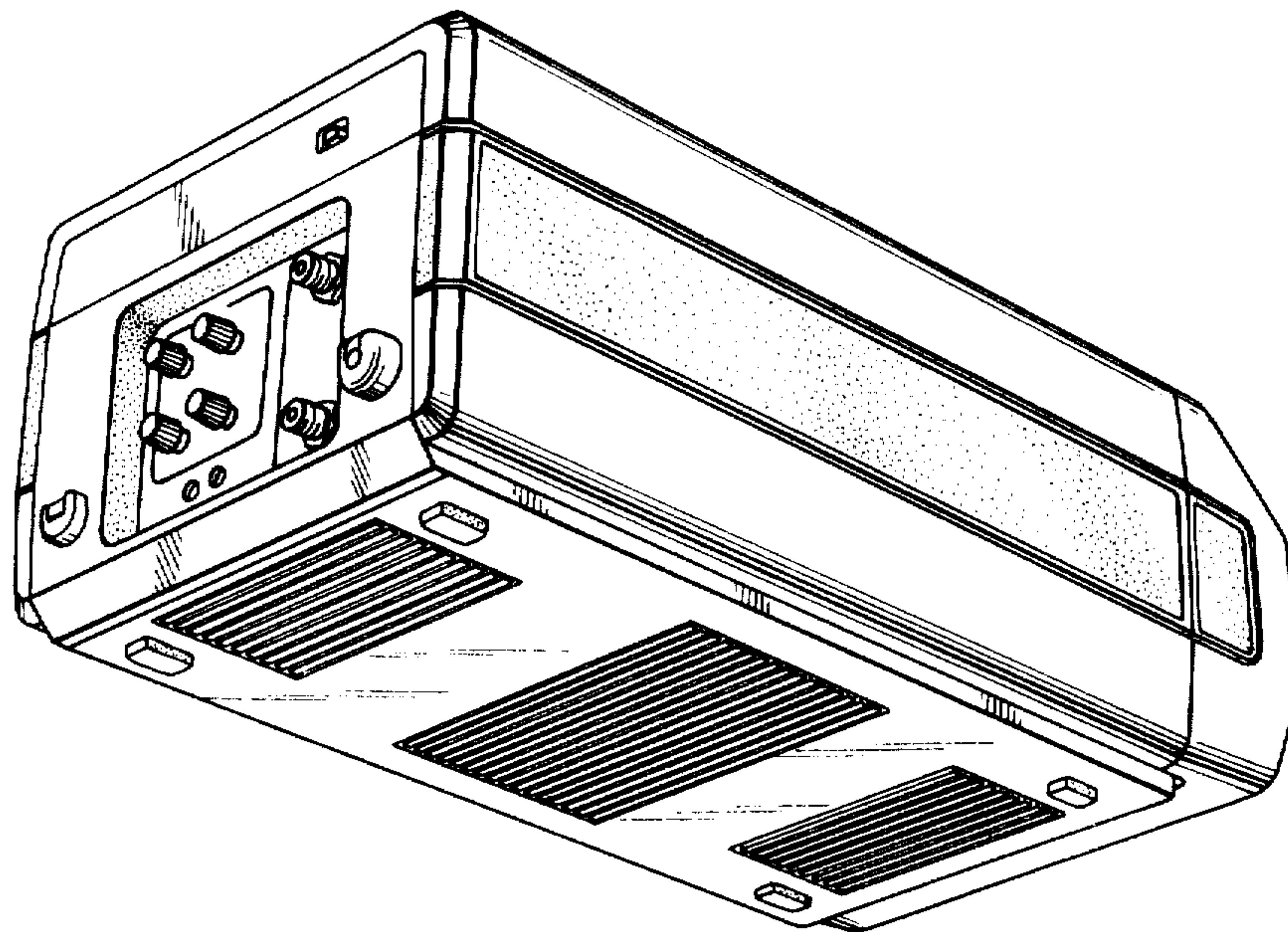


FIG. 3

