

[54] ELECTRICAL TEST SET HOUSING MEMBER

[75] Inventor: Clifford D. Read, Almonte, Canada

[73] Assignee: Northern Telecom Limited, Montreal, Canada

[**] Term: 14 Years

[21] Appl. No.: 91,593

[22] Filed: Nov. 5, 1979

[51] Int. Cl. D10-07

[52] U.S. Cl. D10/80

[58] Field of Search D10/75, 78, 80, 46, D10/102, 103; 329/156; 361/331; D13/40, 41

[56] References Cited

U.S. PATENT DOCUMENTS

D. 218,117 7/1970 Sato D10/46 X

D. 237,060 10/1975 Engehard D10/46
D. 237,785 11/1975 Hegel D10/46
D. 244,434 5/1977 Moore D10/46
D. 248,929 8/1978 Connolly D10/102
D. 255,014 5/1980 Hill D10/75

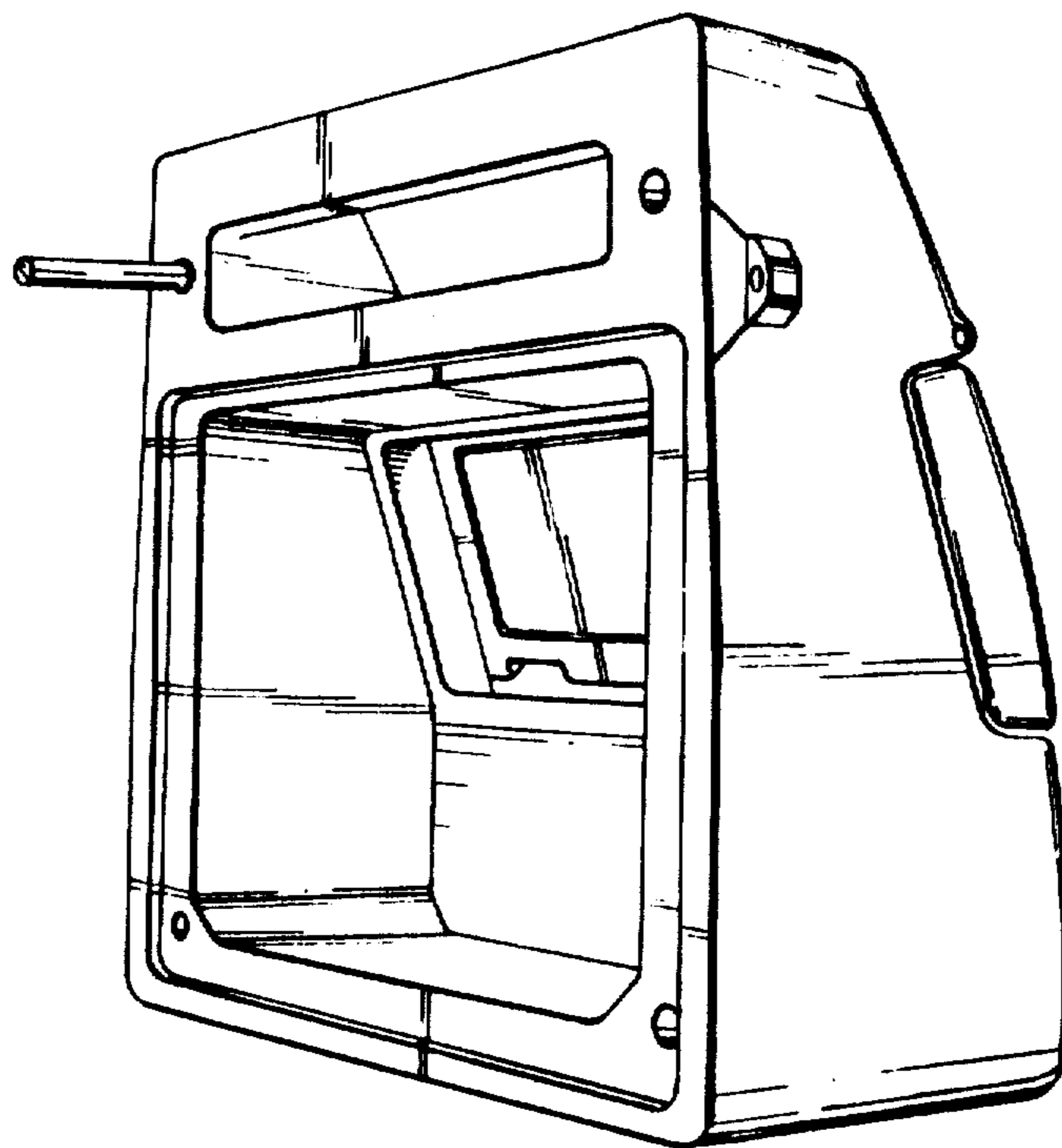
Primary Examiner—Nelson C. Holtje
Attorney, Agent, or Firm—R. J. Austin

[57] CLAIM

The ornamental design for an electrical test set housing member, substantially as shown and described.

DESCRIPTION

FIG. 1 is a front elevational view of an electrical test set housing member showing my new design;
FIG. 2 is a top plan view thereof;
FIG. 3 is a bottom plan view thereof;
FIG. 4 is a right side elevational view thereof;
FIG. 5 is a rear elevational view thereof;
FIG. 6 is a left rear perspective view thereof.



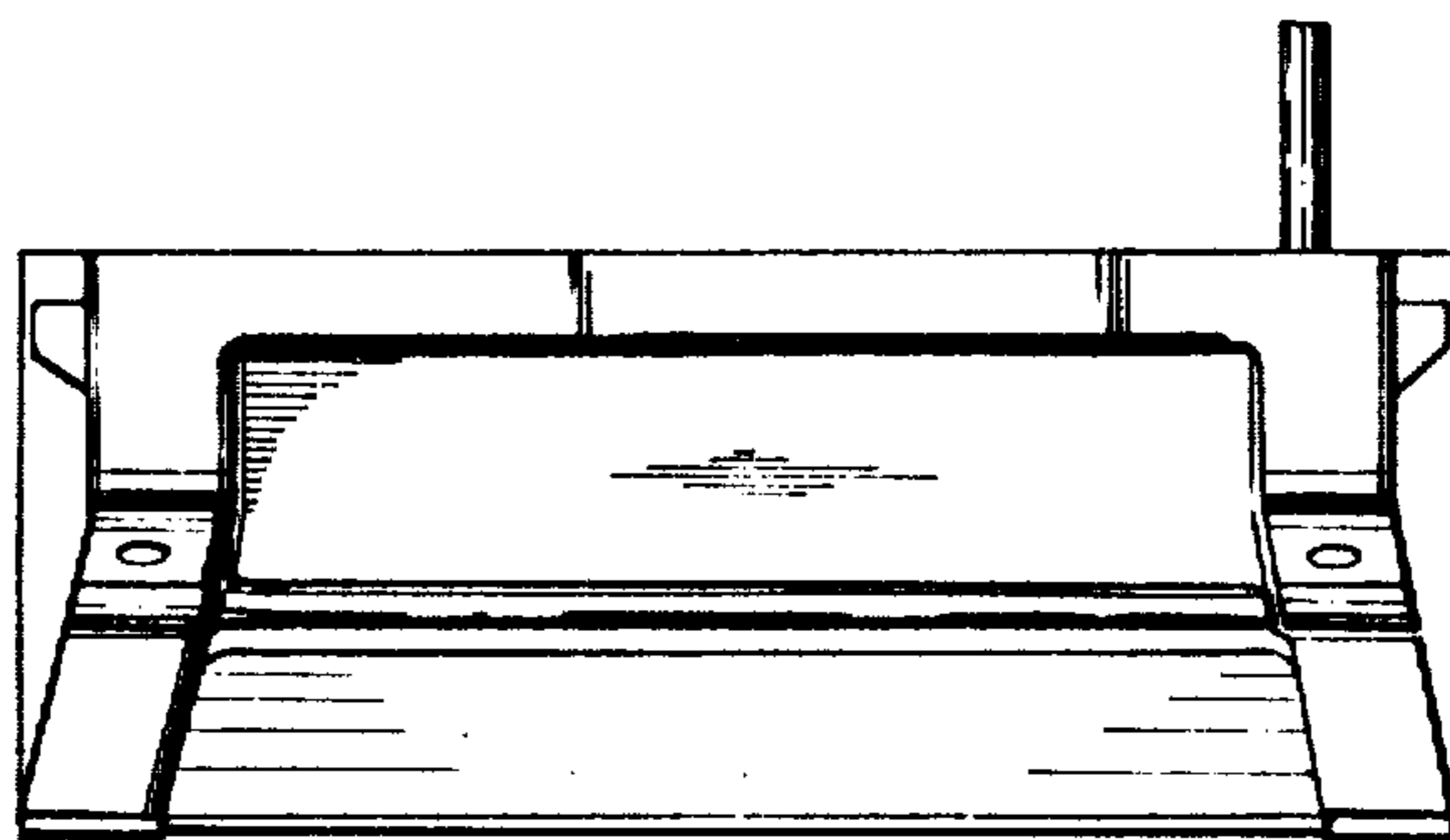


Fig. 2

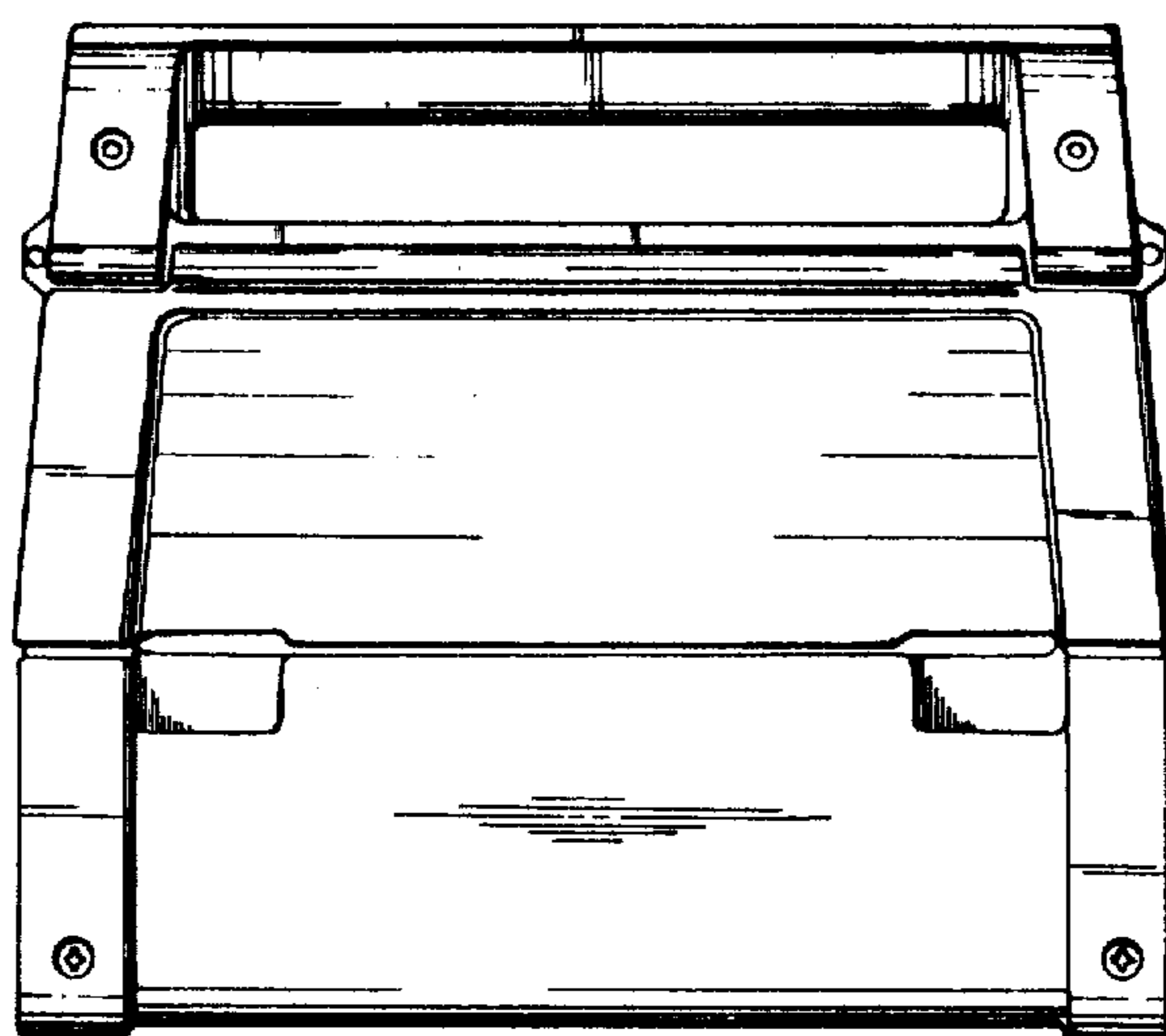


Fig. 1

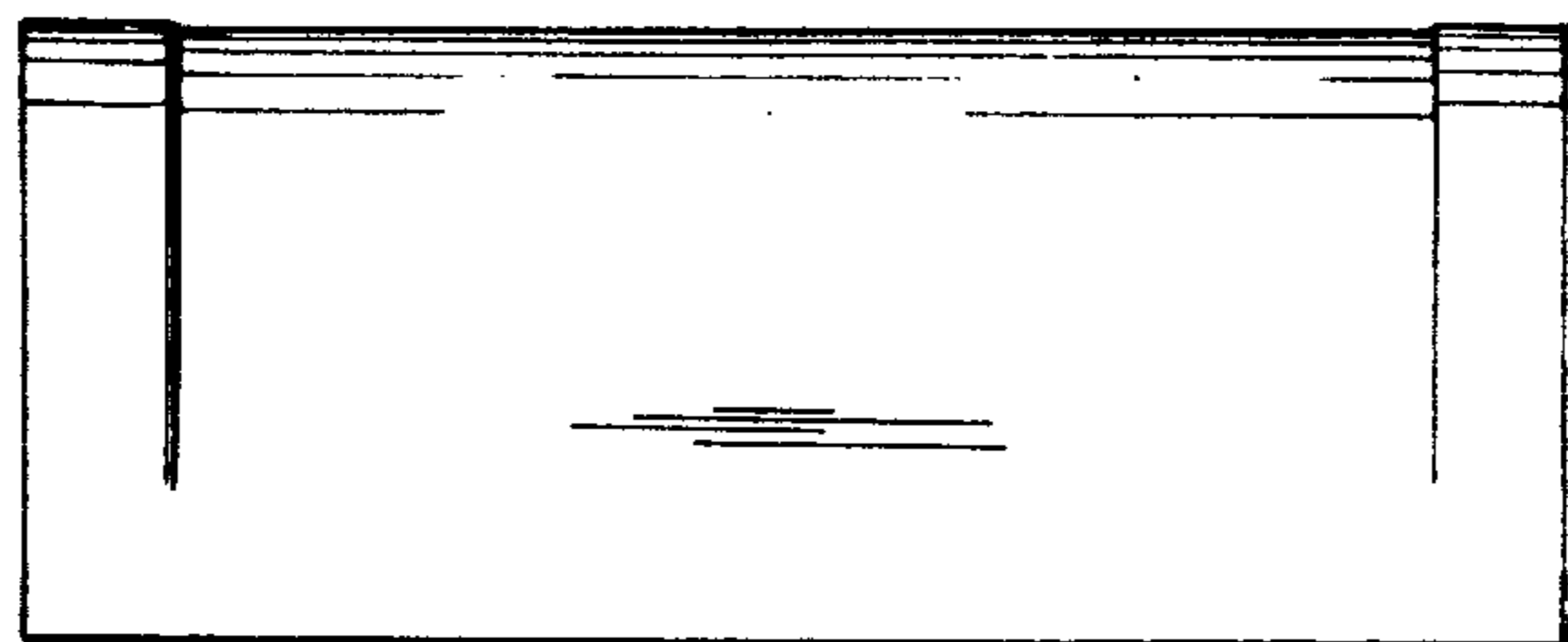


Fig. 3

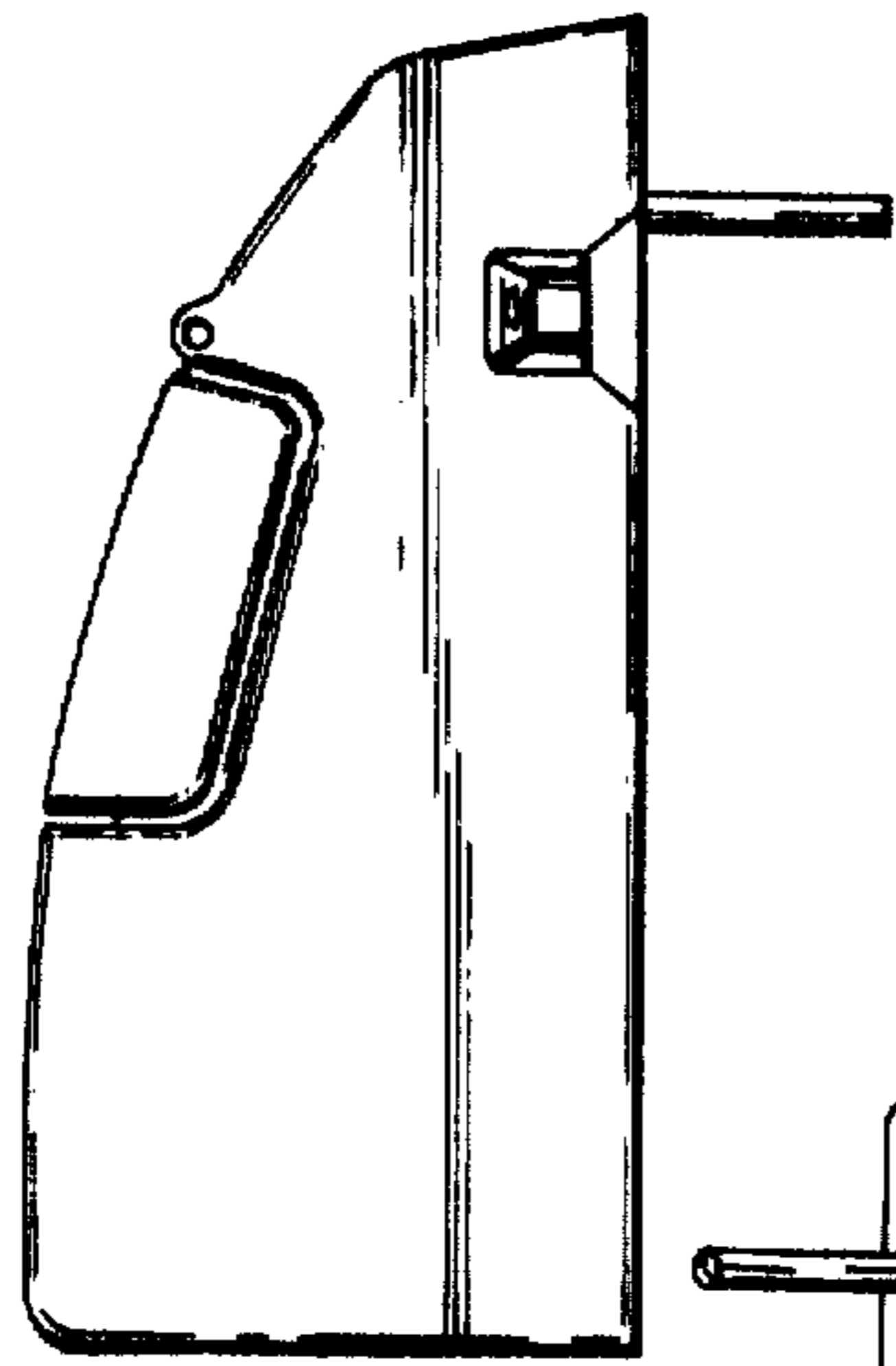


Fig. 4.

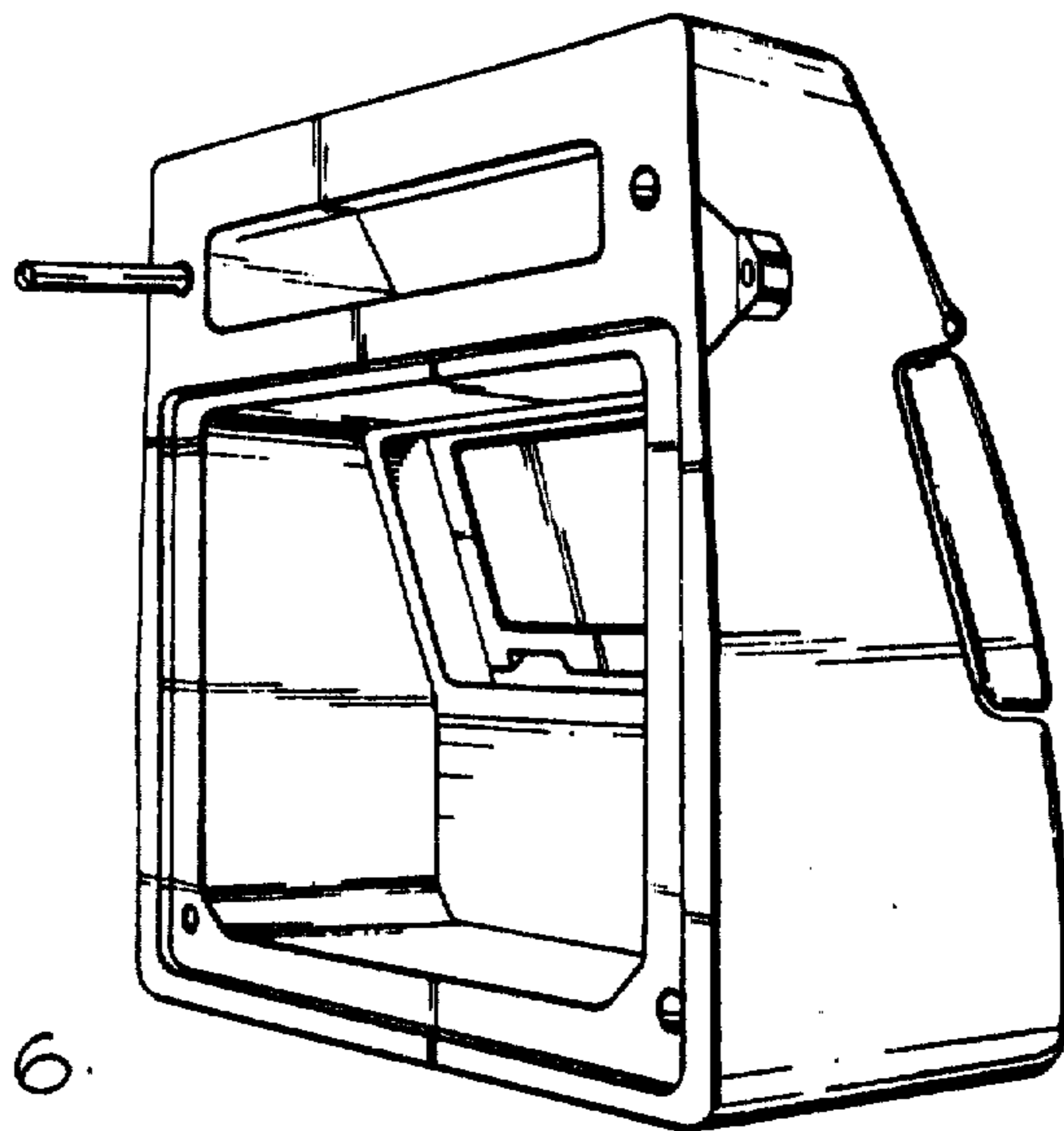


Fig. 6.

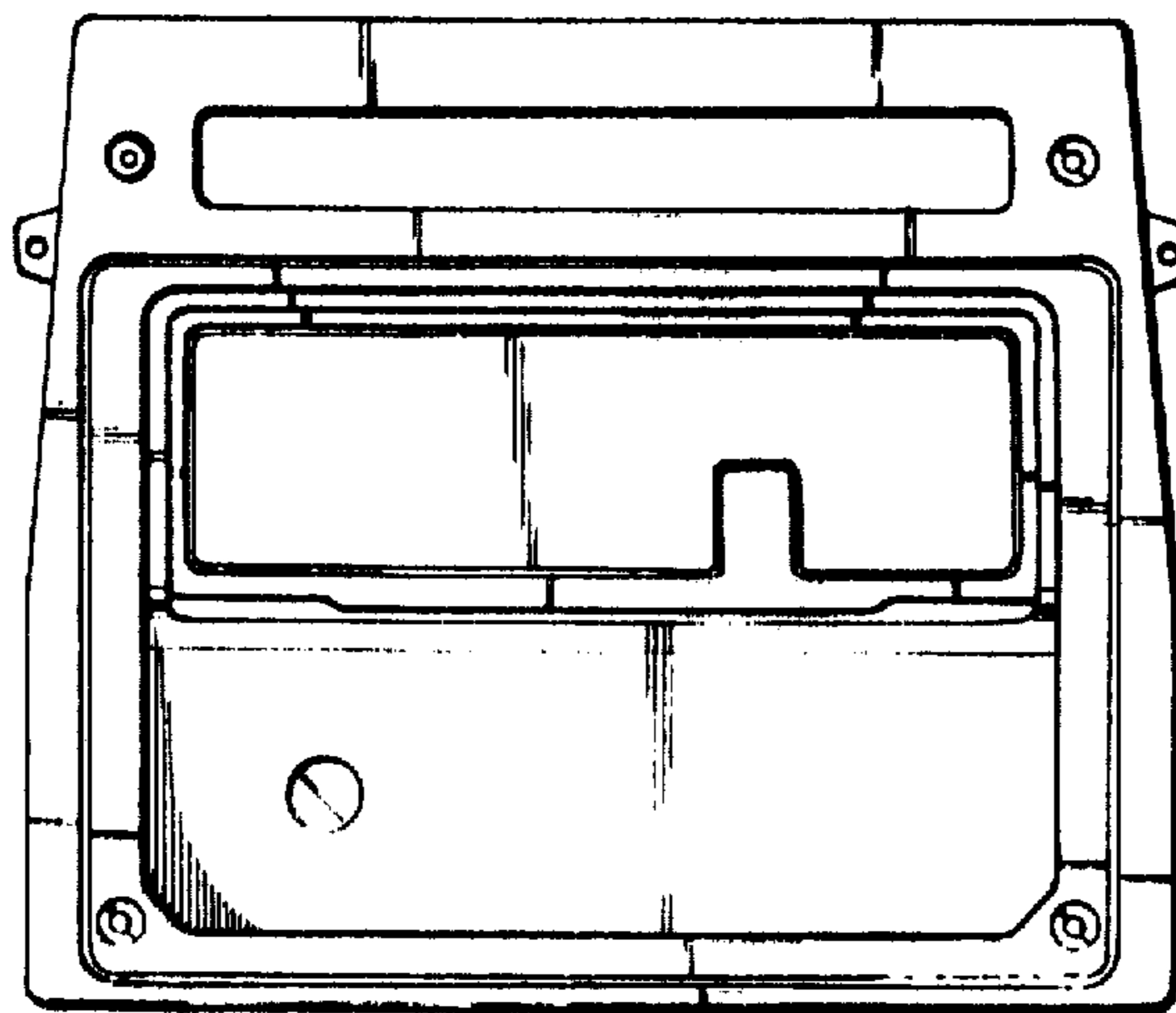


Fig. 5.