

[54] CLAMP AND JIG COMBINATION FOR ENGRAVING

[76] Inventor: Richard H. Lockie, P.O. Box 1887, Hawthorne, Nev. 89415

[**] Term: 14 Years

[21] Appl. No.: 119,573

[22] Filed: Feb. 7, 1980

[51] Int. Cl. D8-05

[52] U.S. Cl. D8/71

[58] Field of Search D8/71, 72, 74; 269/40, 269/41, 43, 86, 87.2, 91, 181

[56] References Cited

U.S. PATENT DOCUMENTS

- D. 42,397 4/1912 Muehlmann D8/71
- D. 58,162 6/1921 Regar D8/71
- 2,089,354 8/1937 Fitzgerald 269/87.2 X
- 3,397,879 8/1968 Morawski et al. 269/91

3,993,298 11/1976 Marshall 269/91

Primary Examiner—A. Hugo Word
Attorney, Agent, or Firm—Herbert C. Schulze

[57] CLAIM

The ornamental design for a clamp and jig combination for engraving, as shown and described.

DESCRIPTION

FIG. 1 is a perspective of the clamp and jig combination for engraving as viewed from the front, top and right side;

FIG. 2 is a rear elevation of the device of FIG. 1;

FIG. 3 is a left side elevation of the device of FIG. 1;

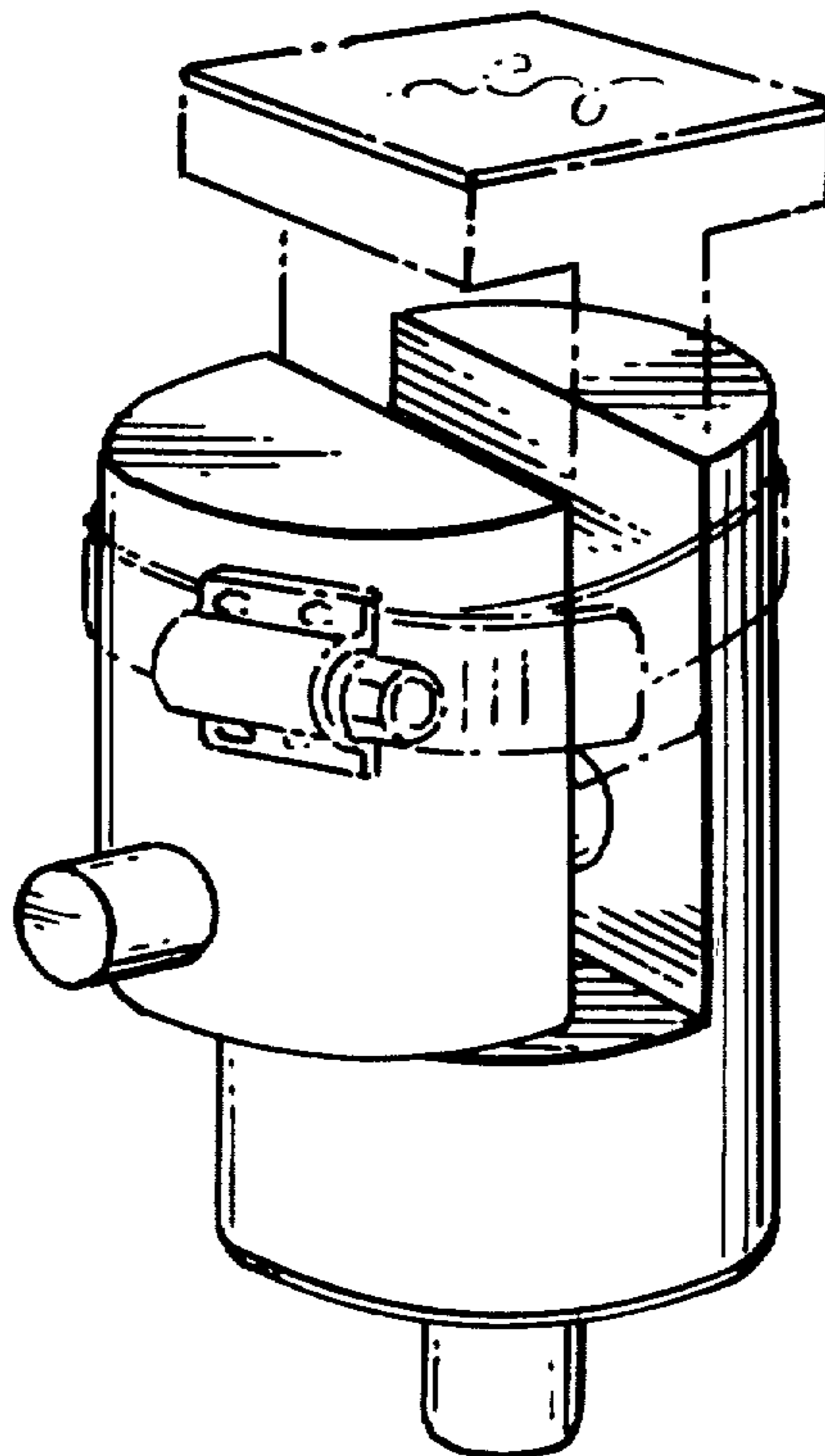
FIG. 4 is a front elevation of FIG. 1;

FIG. 5 is a side elevation of the right side of the device of FIG. 1;

FIG. 6 is a top plan view of the device of FIG. 1; and

FIG. 7 is a bottom plan view of the device of FIG. 1.

The dotted lines shown in FIG. 1 are for illustrative purposes only and form no part of the claimed design.



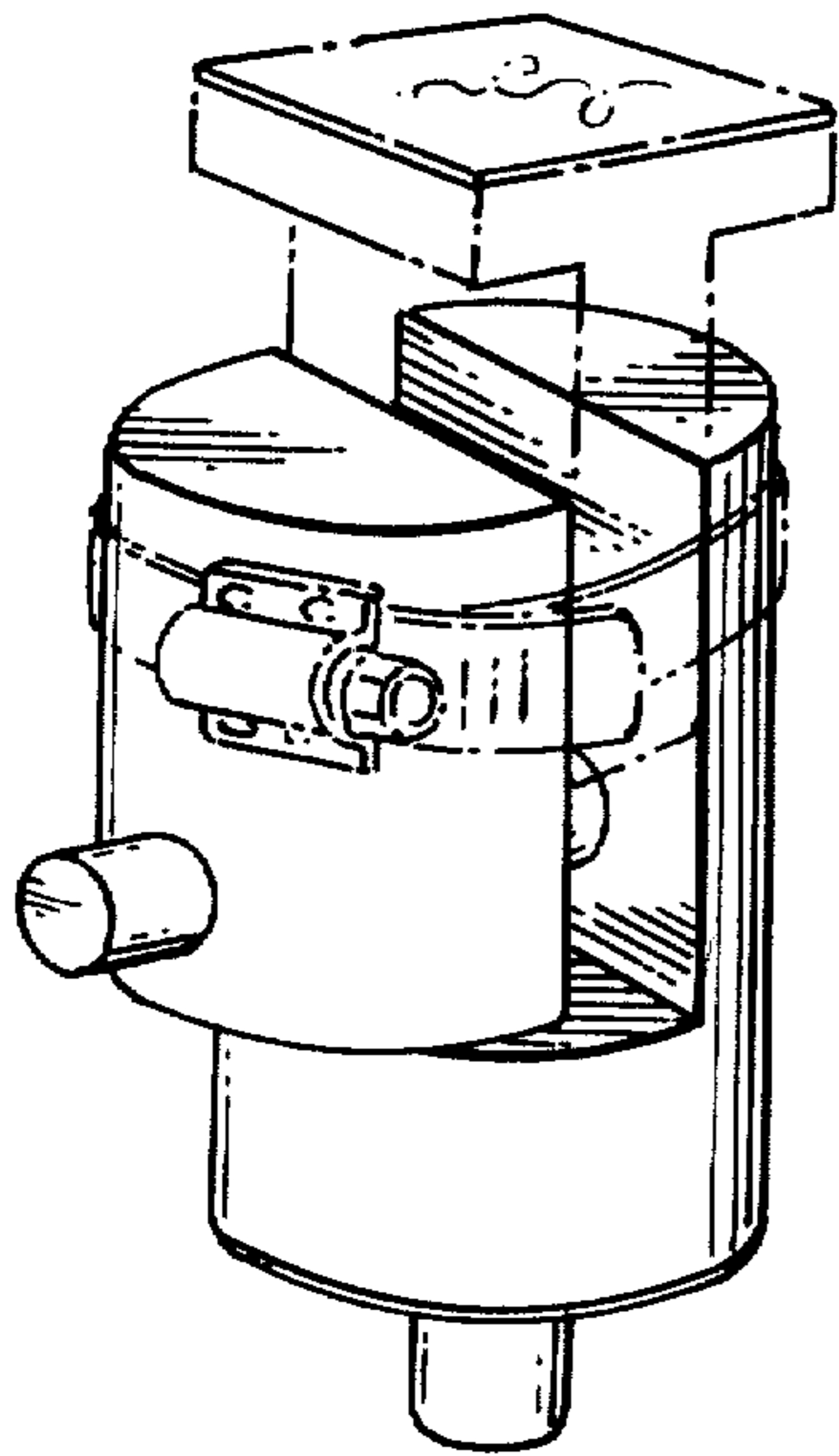


FIG. 1.

FIG. 6.

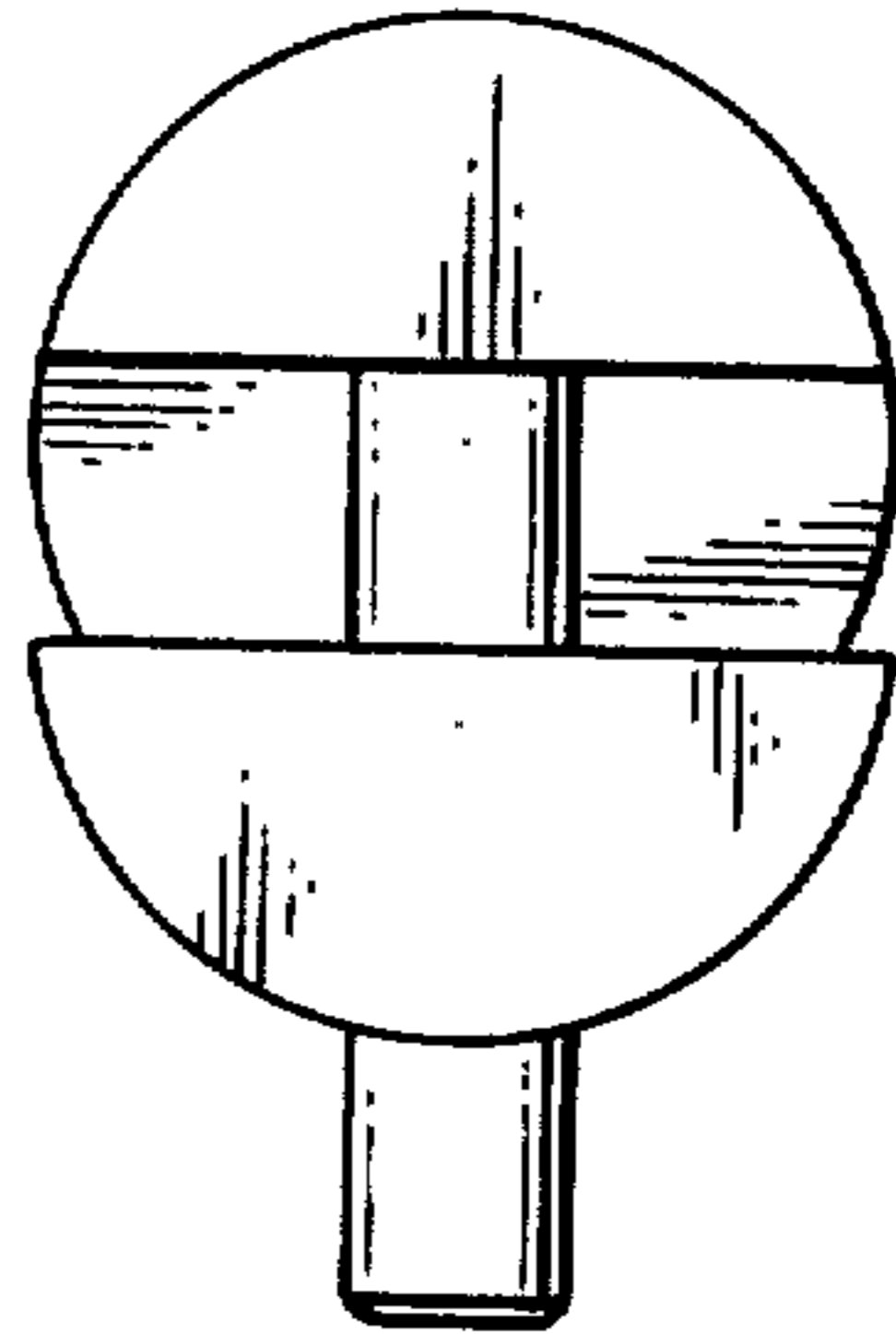


FIG. 2.

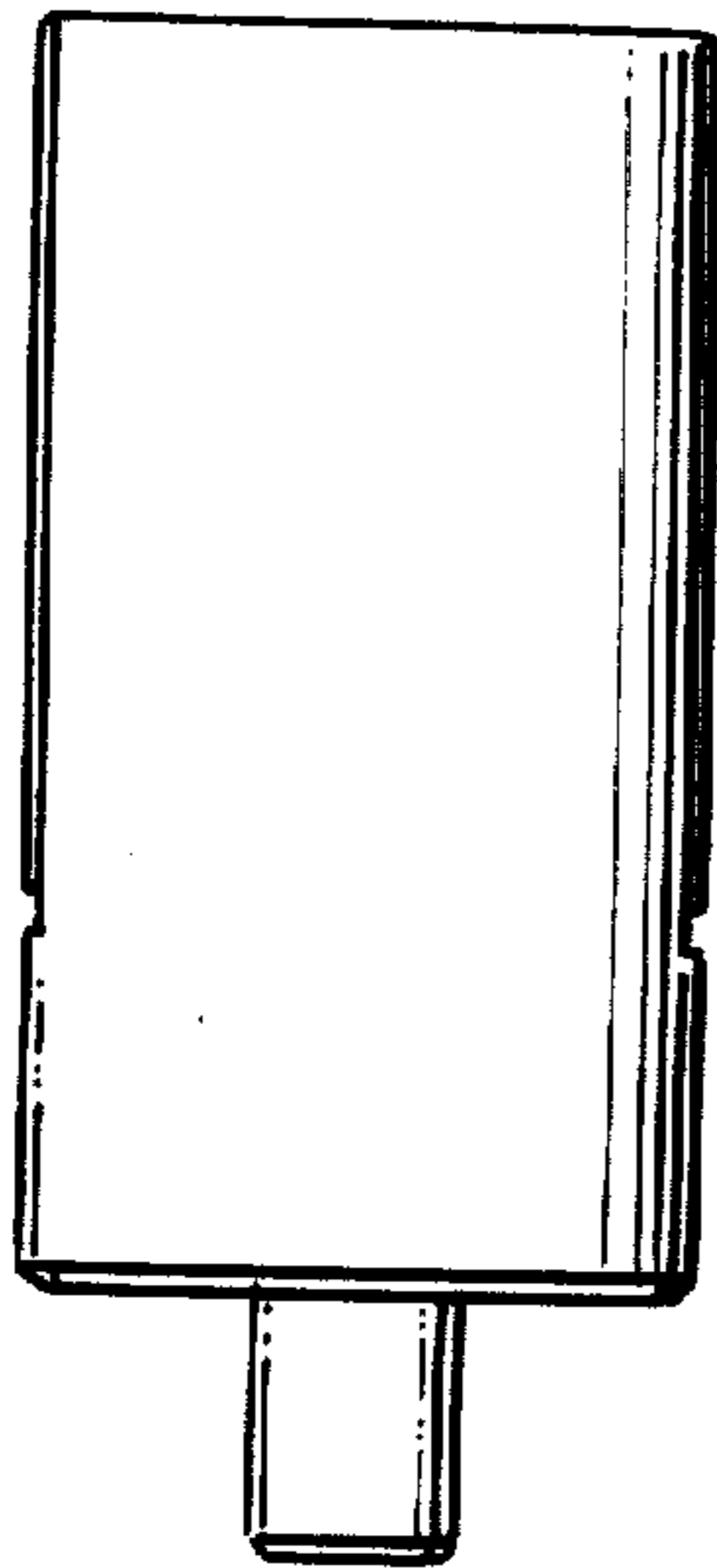


FIG. 3.

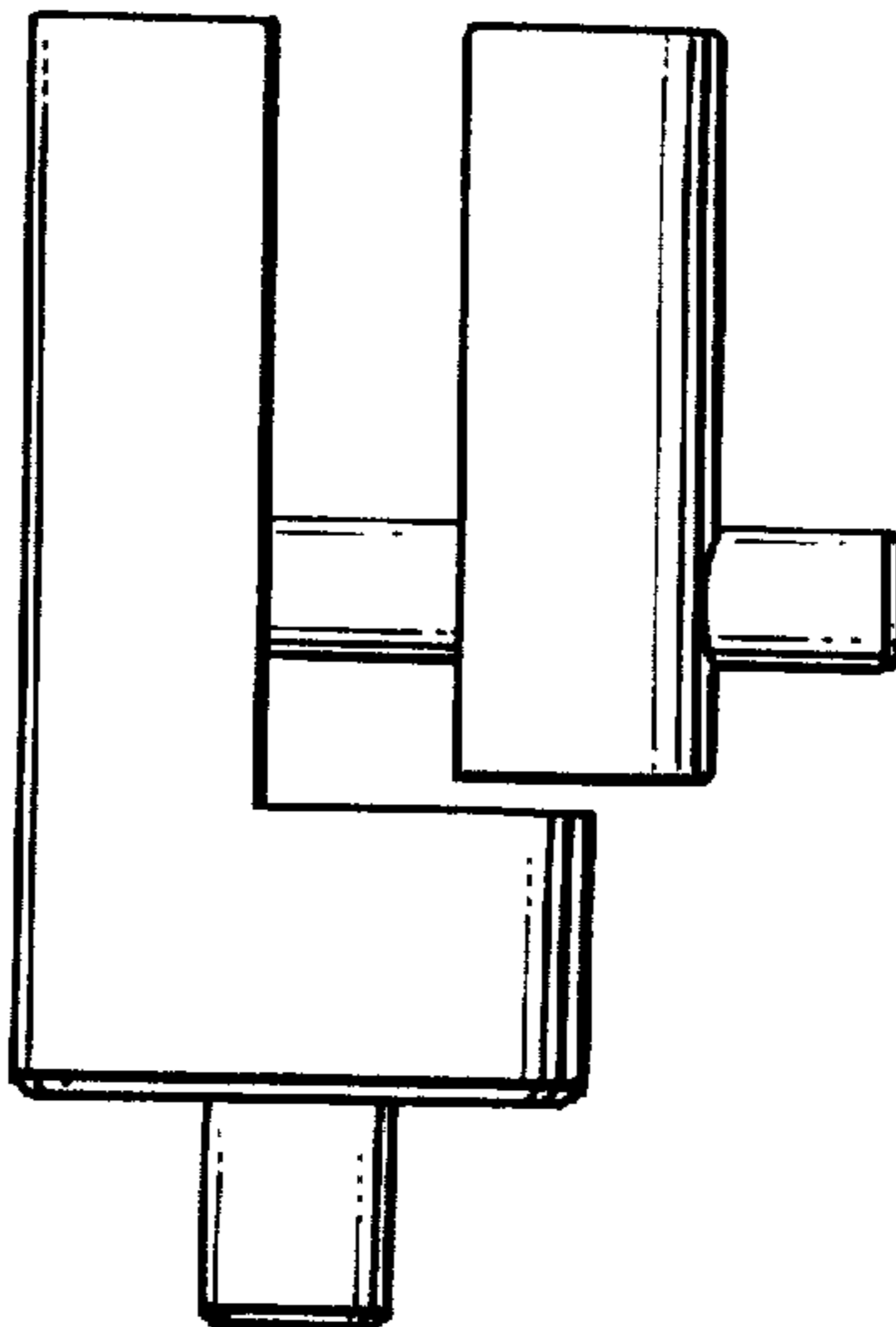


FIG. 4.

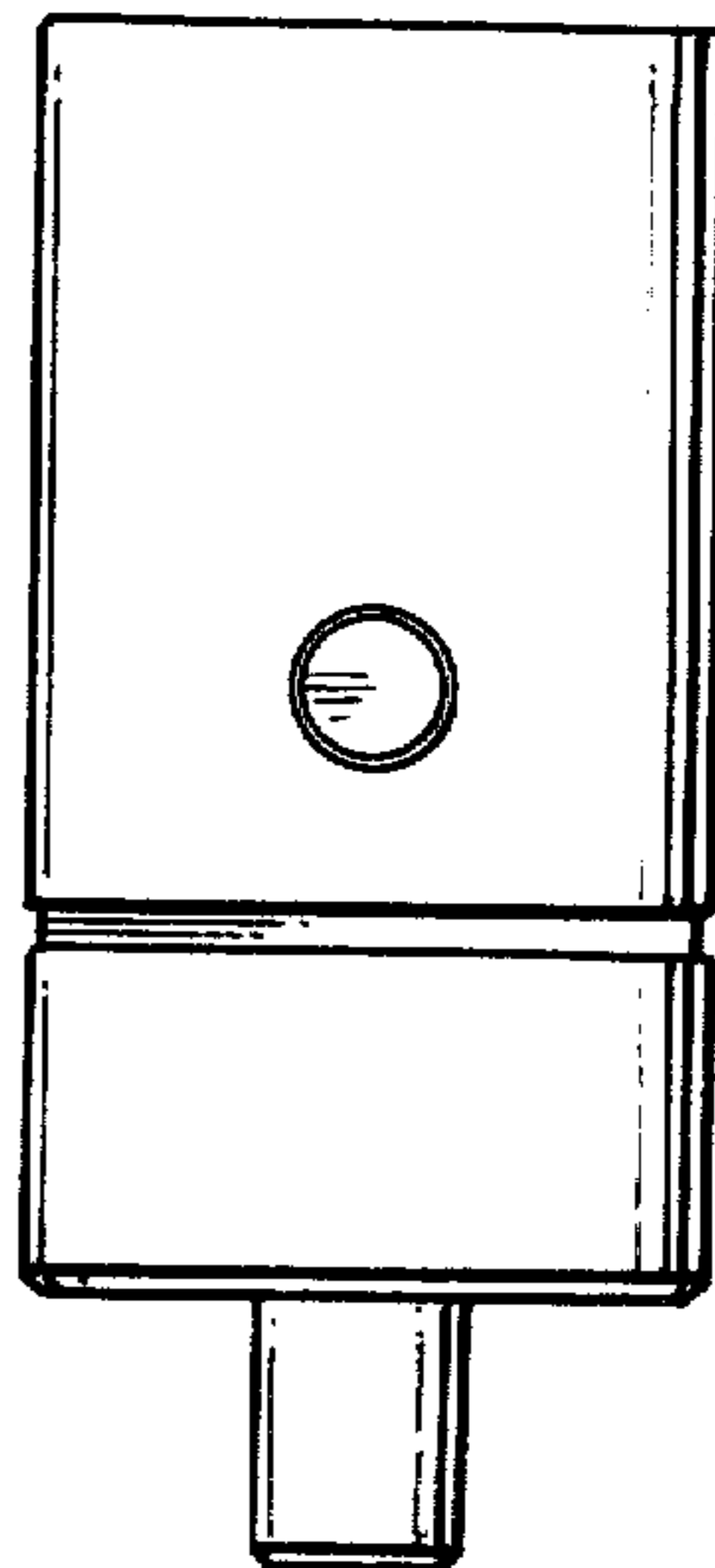


FIG. 5.

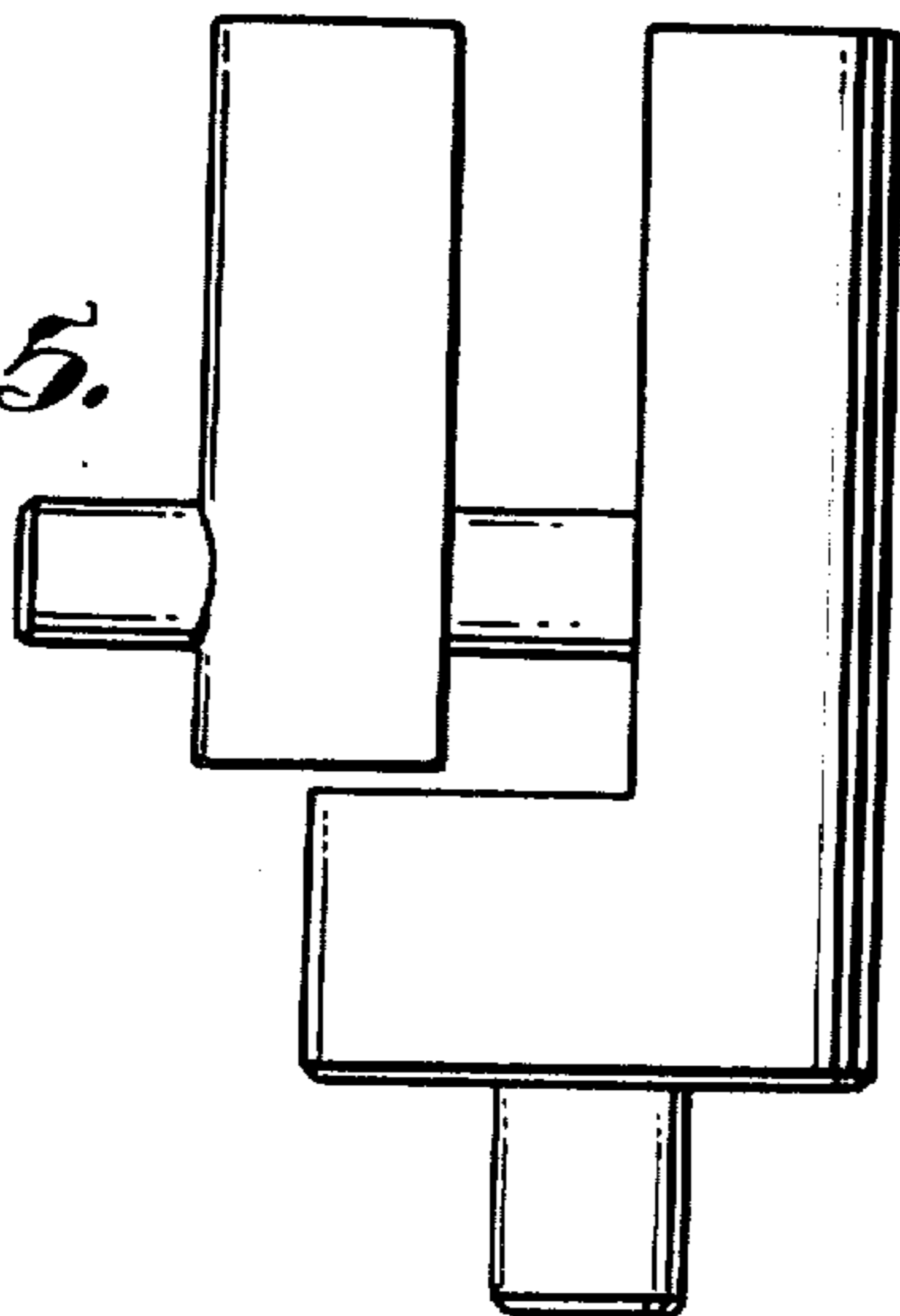


FIG. 7.

