

[54] CAN OPENER

[75] Inventor: Roger L. Kelly, Palatine, Ill.
[73] Assignee: American Home Products Corporation, New York, N.Y.
[**] Term: 14 Years
[21] Appl. No.: 73,265
[22] Filed: Sep. 7, 1979

[51] Int. Cl. D07-99
[52] U.S. Cl. D8/39
[58] Field of Search D8/33, 39, 40, 41, 43;
30/400, 409, 426, 427

[56] References Cited
U.S. PATENT DOCUMENTS

D. 191,046 8/1961 Hvale D8/39
2,866,263 12/1958 McLean 30/426

FOREIGN PATENT DOCUMENTS

689222 7/1953 United Kingdom 30/426

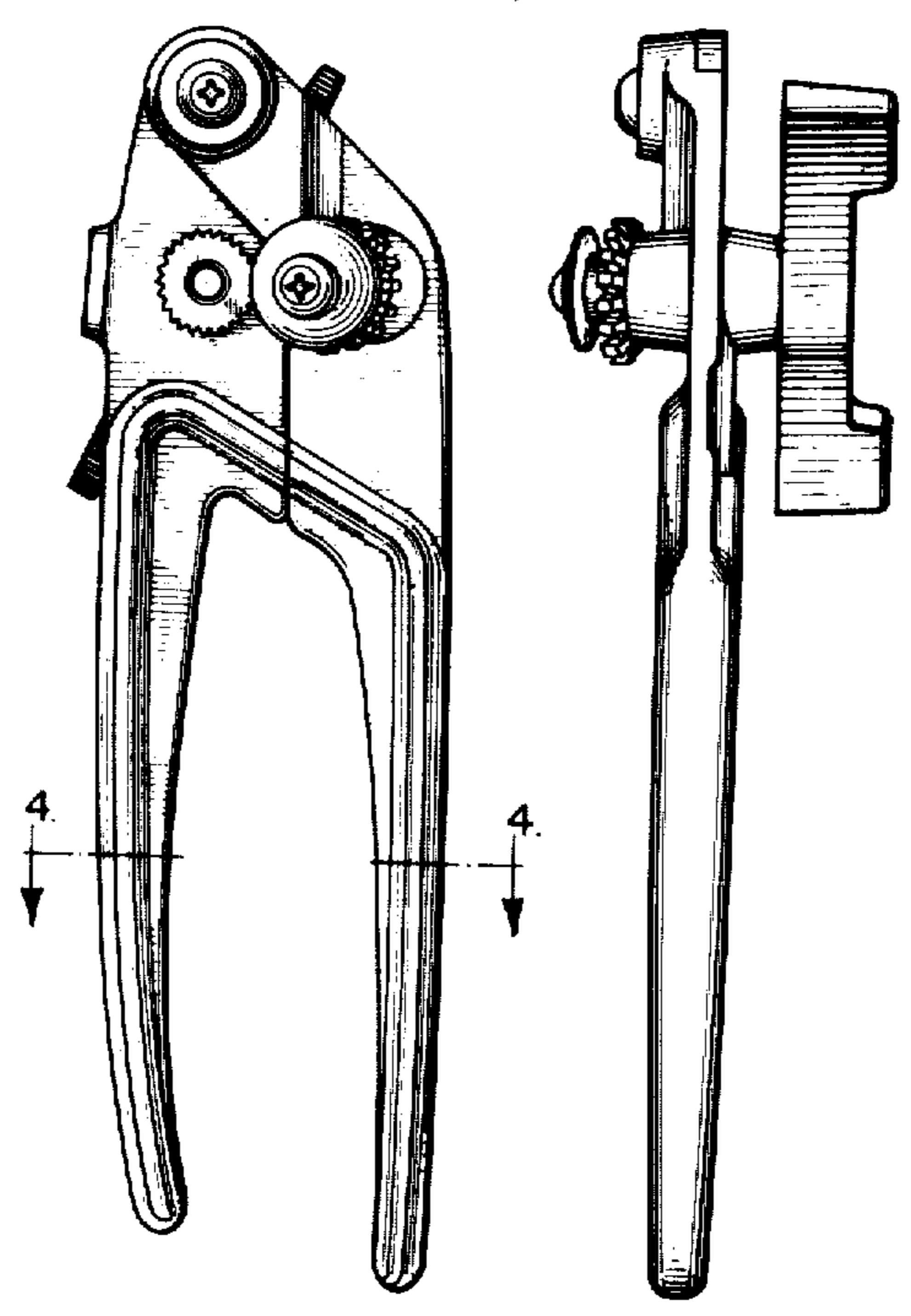
Primary Examiner—Joel Stearman
Assistant Examiner—Carmen H. Vales
Attorney, Agent, or Firm—Robert D. Teichert

[57] CLAIM

The ornamental design for a can opener, as shown and described.

DESCRIPTION

FIG. 1 is a front elevational view of a can opener showing my new design.
FIG. 2 is a right side elevational view thereof.
FIG. 3 is a rear elevational view thereof.
FIG. 4 is an enlarged sectional view taken along line 4-4 of FIG. 1.
FIG. 5 is a left side elevational view thereof.
FIG. 6 is an enlarged top plan view thereof.
FIG. 7 is an enlarged bottom plan view thereof.



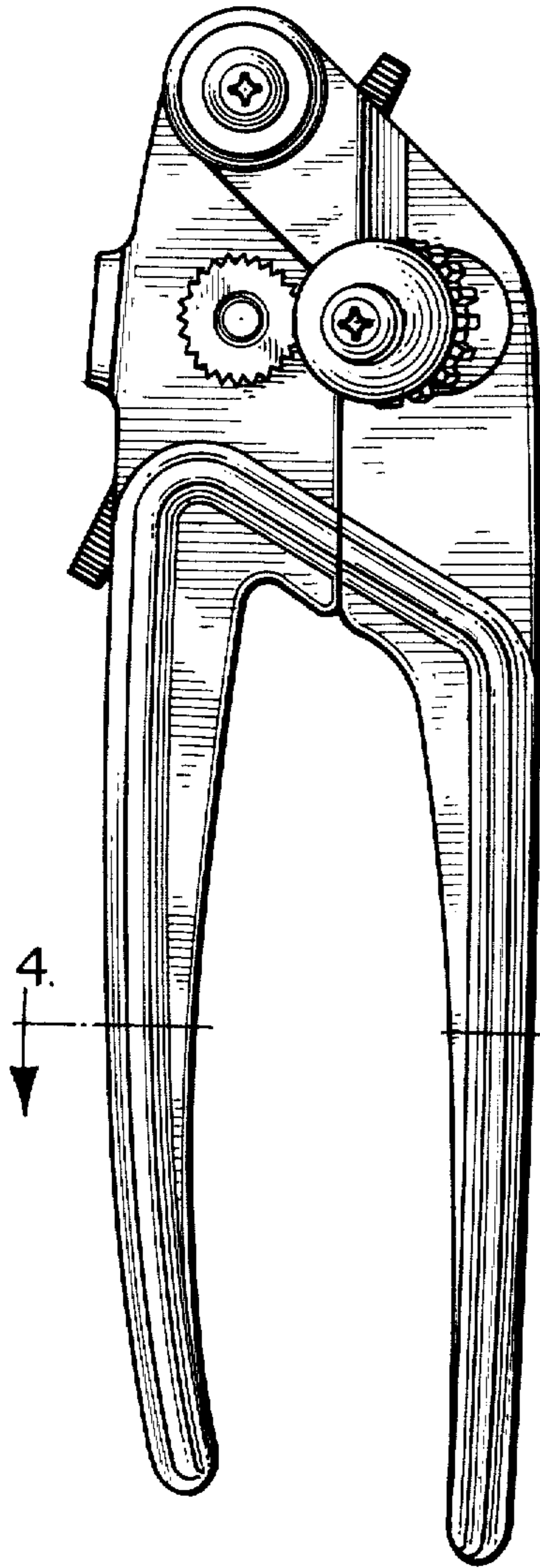


FIG. 1

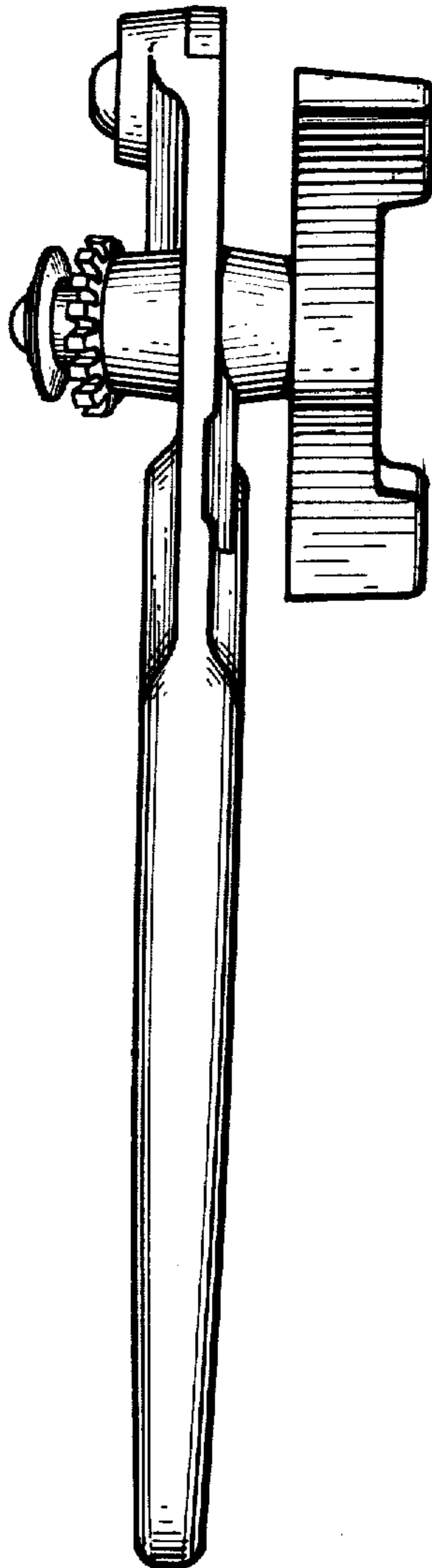


FIG. 2

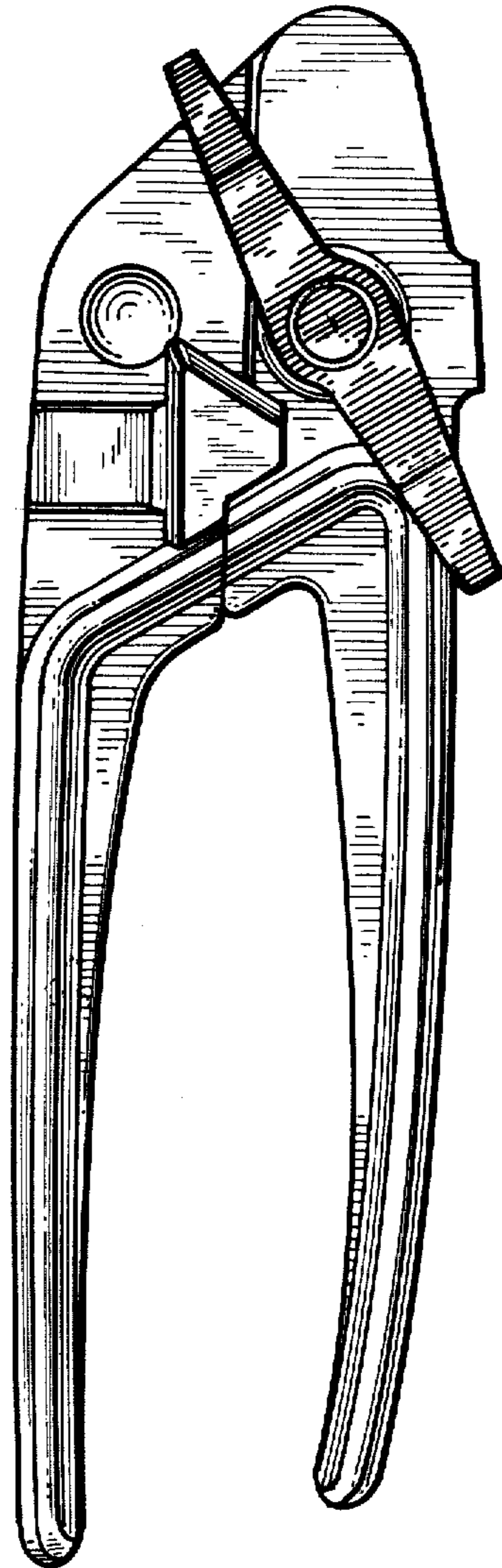


FIG. 3

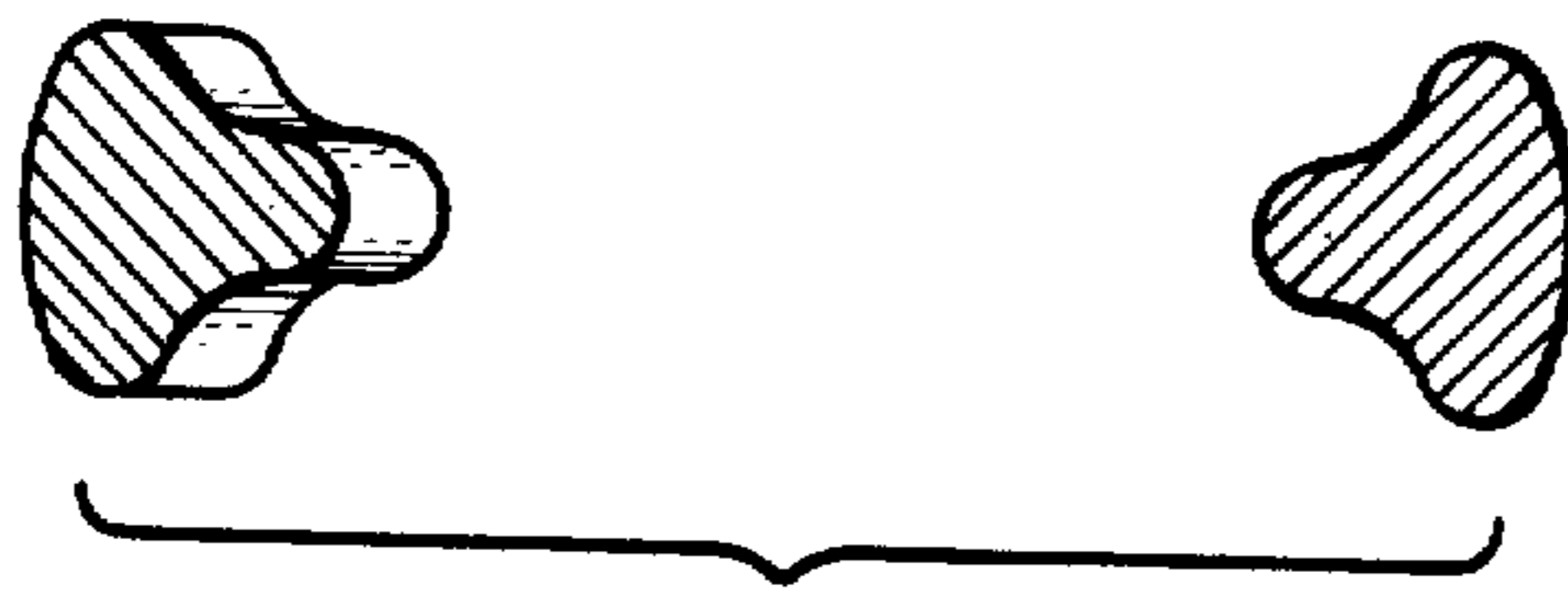


FIG. 4

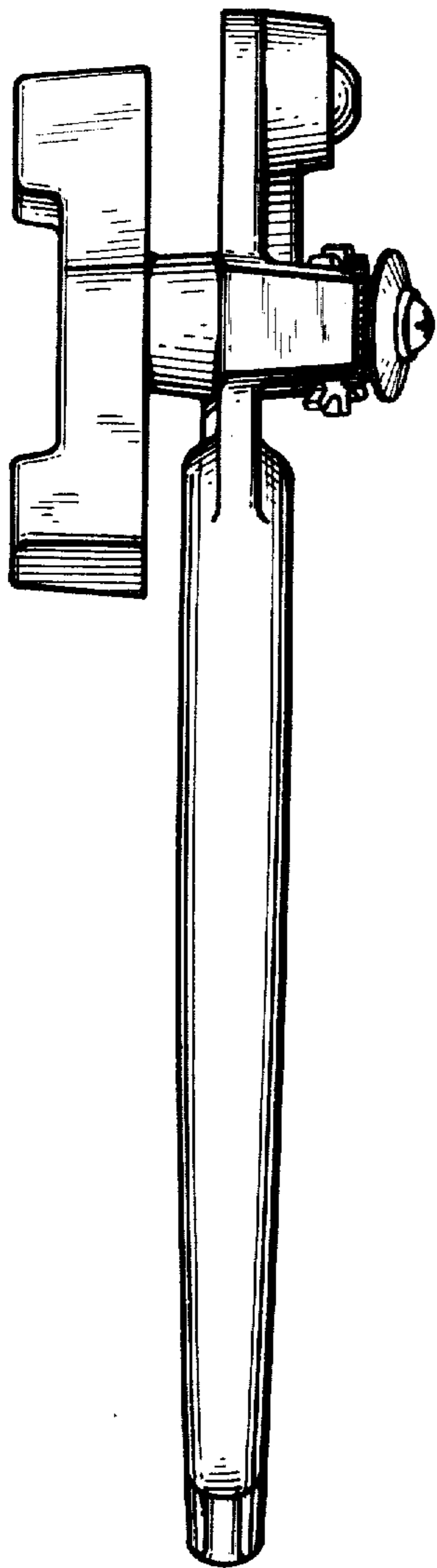


FIG. 5

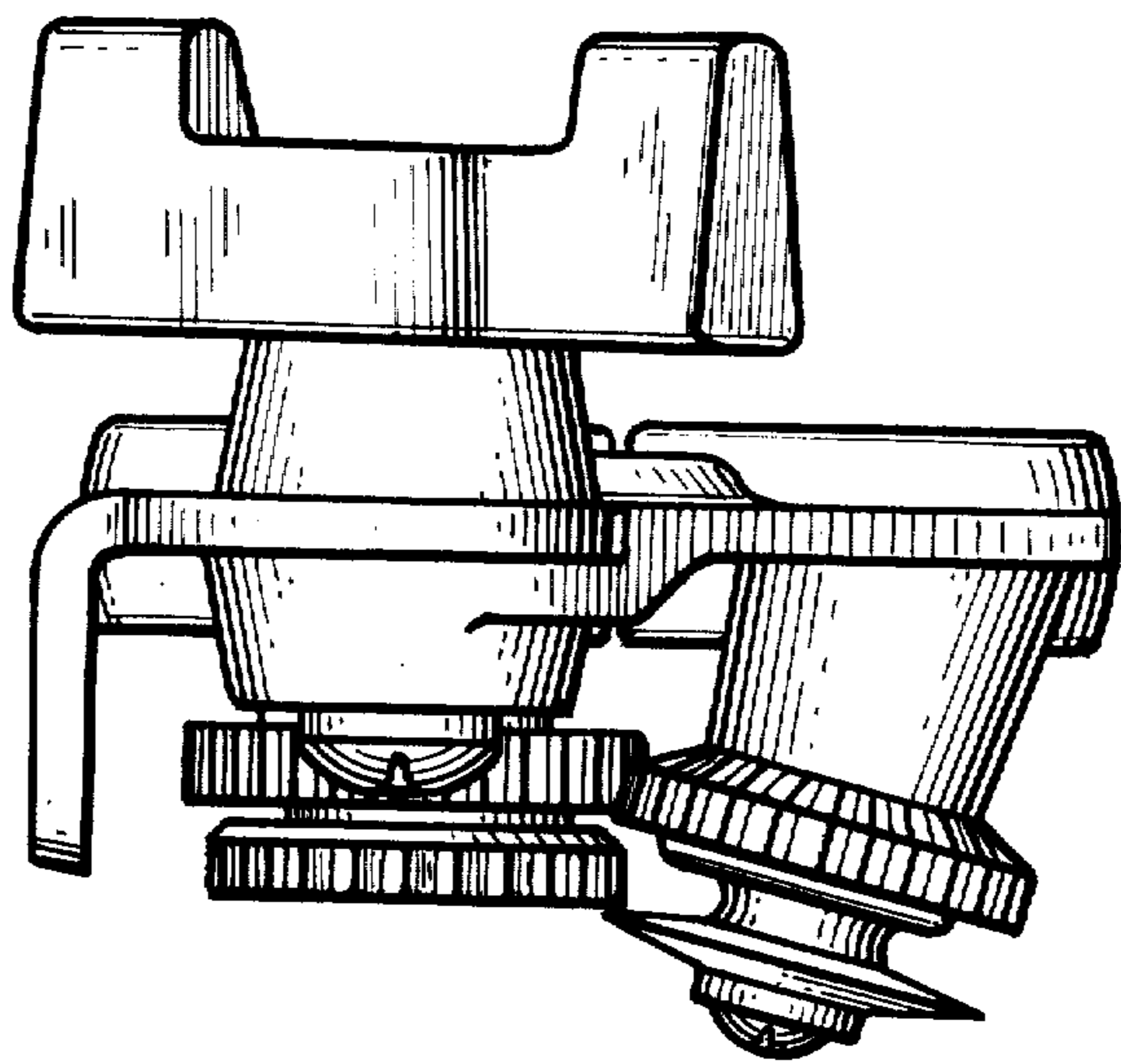


FIG. 6

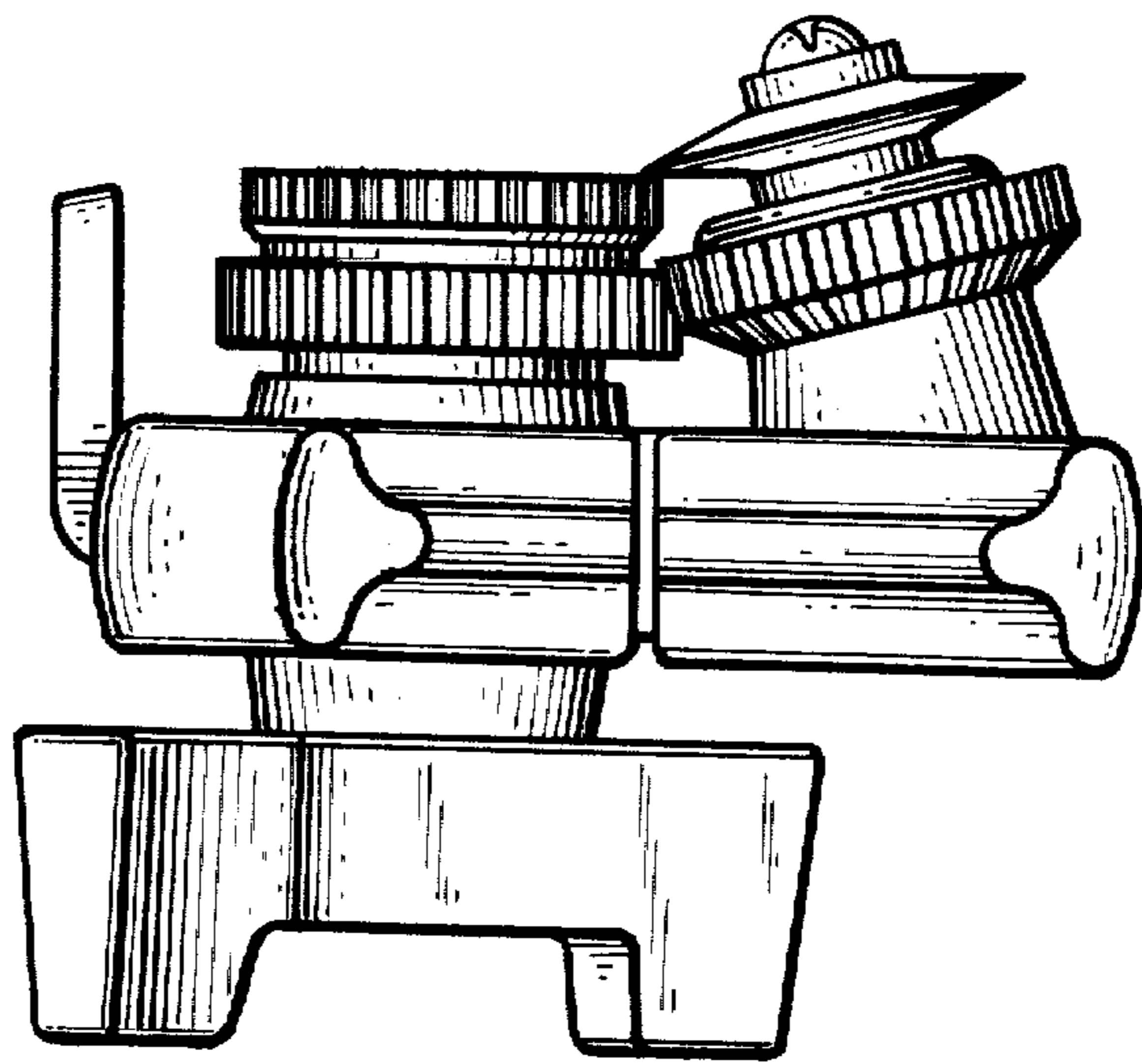


FIG. 7