

[54] BARBECUE GRILL

[76] Inventor: Larry A. Schwartz, 67 Hess Ave., Warwick, R.I. 02889

[**] Term: 14 Years

[21] Appl. No.: 966,774

[22] Filed: Dec. 4, 1978

[51] Int. Cl. D7-02

[52] U.S. Cl. D7/109

[58] Field of Search D7/107, 108, 109, 110; 126/25 R, 25 A, 25 AA, 25 B, 25 C, 29, 30, 9 R, 9 A, 9 B

[56] References Cited

U.S. PATENT DOCUMENTS

D. 165,475 12/1951 Miller et al. D7/109

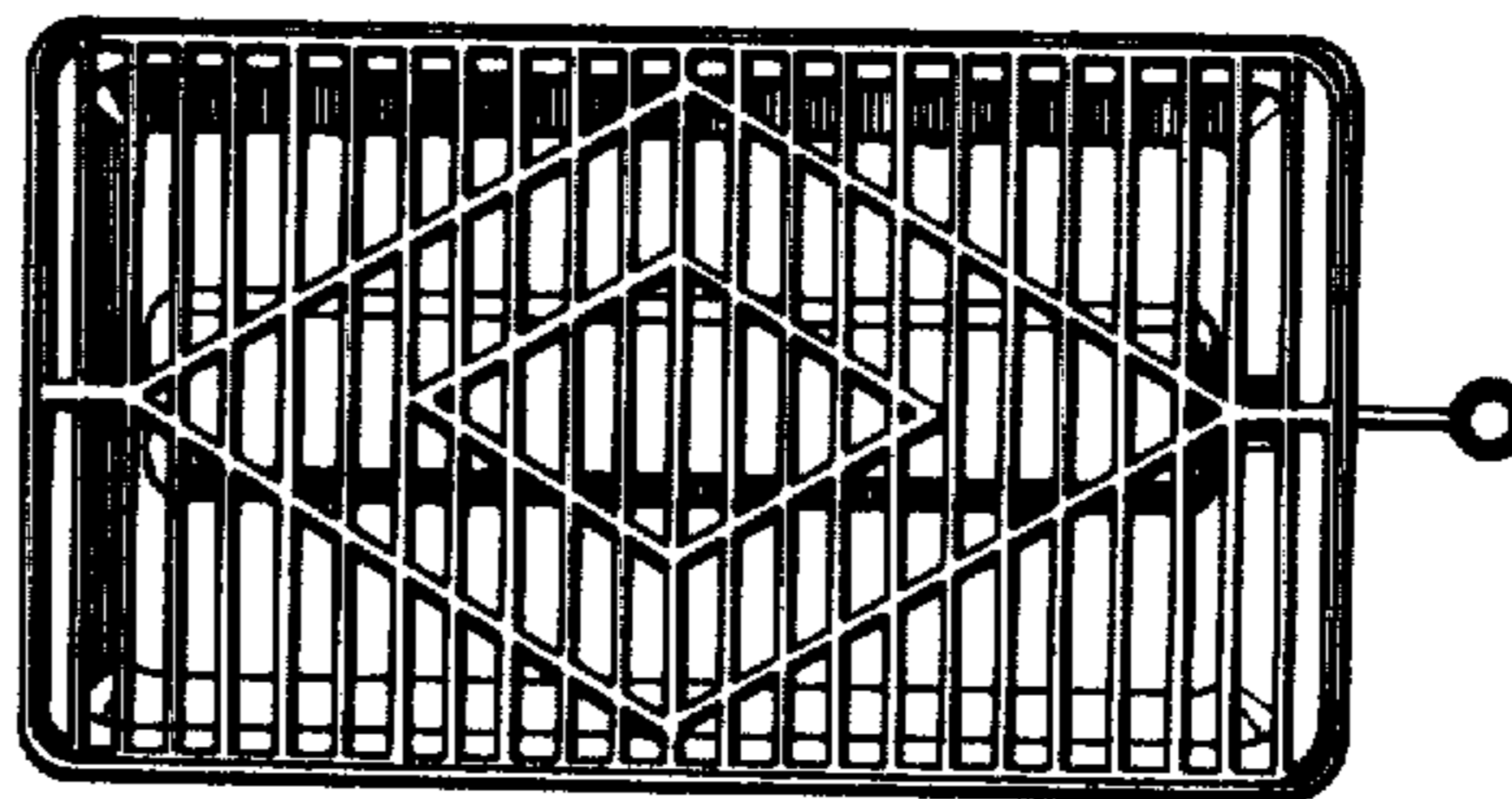
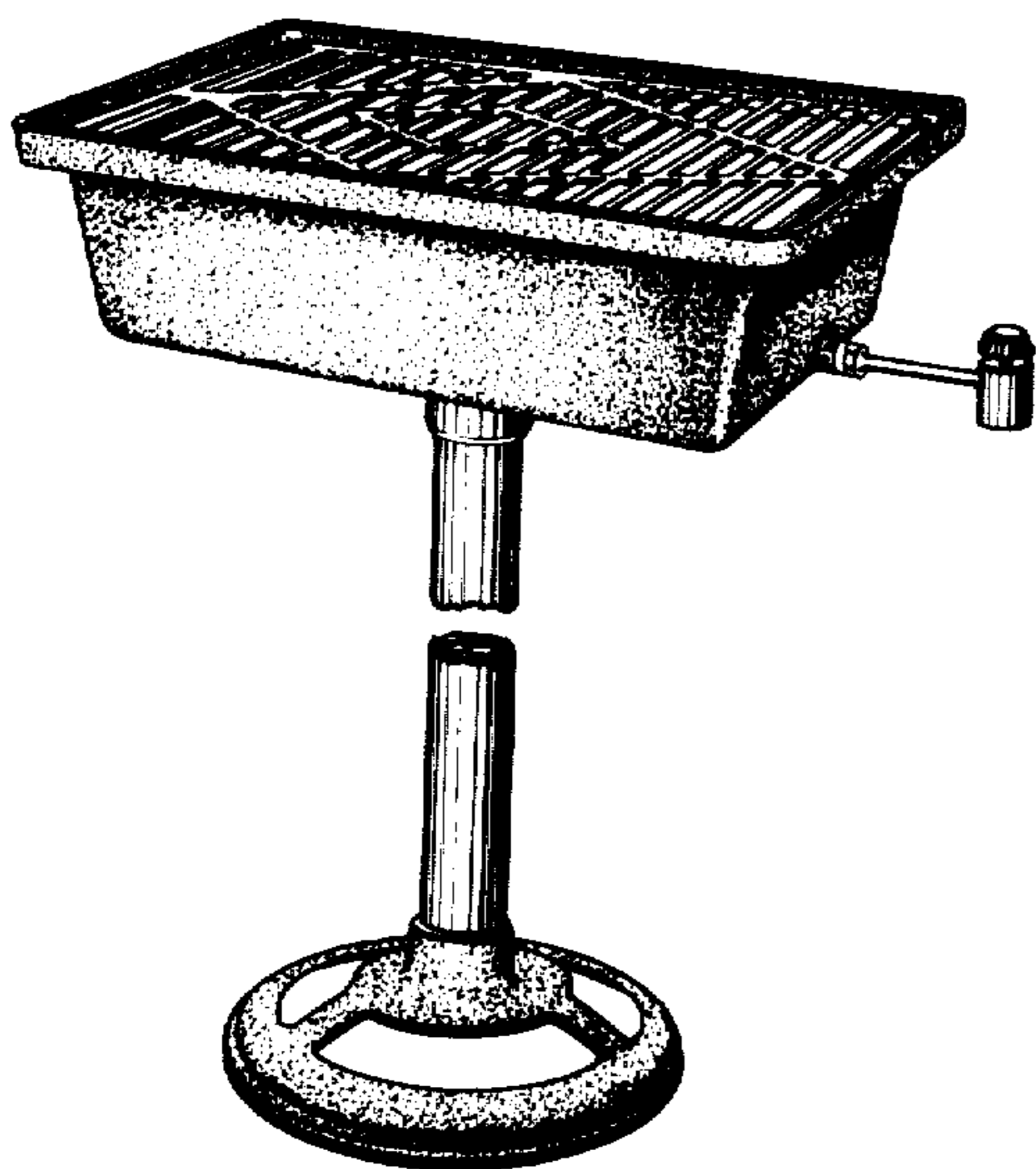
Primary Examiner—Catherine E. Kemper
Attorney, Agent, or Firm—Salter & Michaelson

[57] CLAIM

The ornamental design for a barbecue grill, as shown.

DESCRIPTION

FIG. 1 is a perspective view of a barbecue grill showing my new design;
FIG. 2 is a left side elevational view thereof;
FIG. 3 is a top plan view thereof;
FIG. 4 is a right side elevational view thereof;
FIG. 5 is a front elevational view thereof; and
FIG. 6 is a bottom plan view thereof.



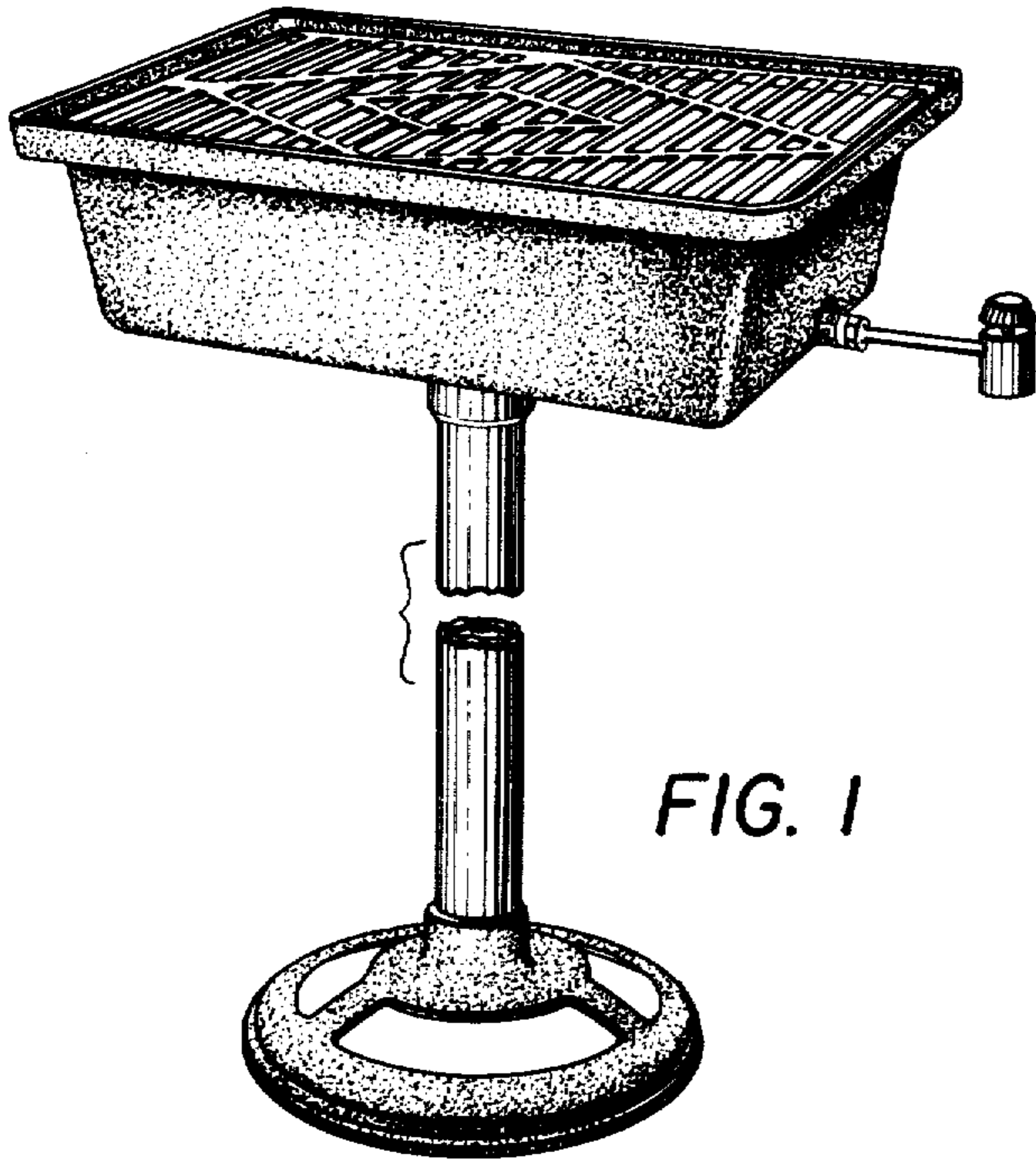


FIG. 1

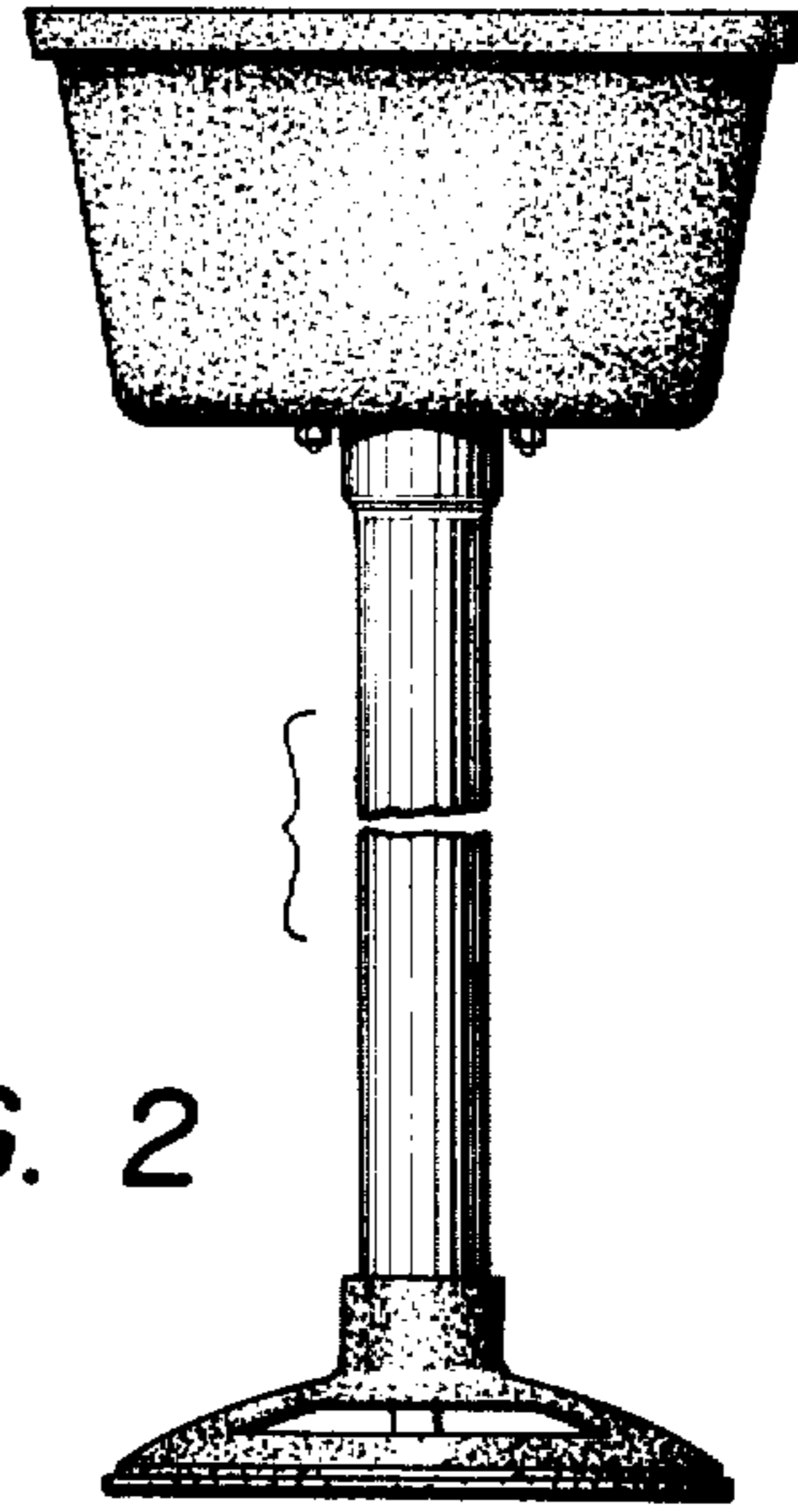


FIG. 2

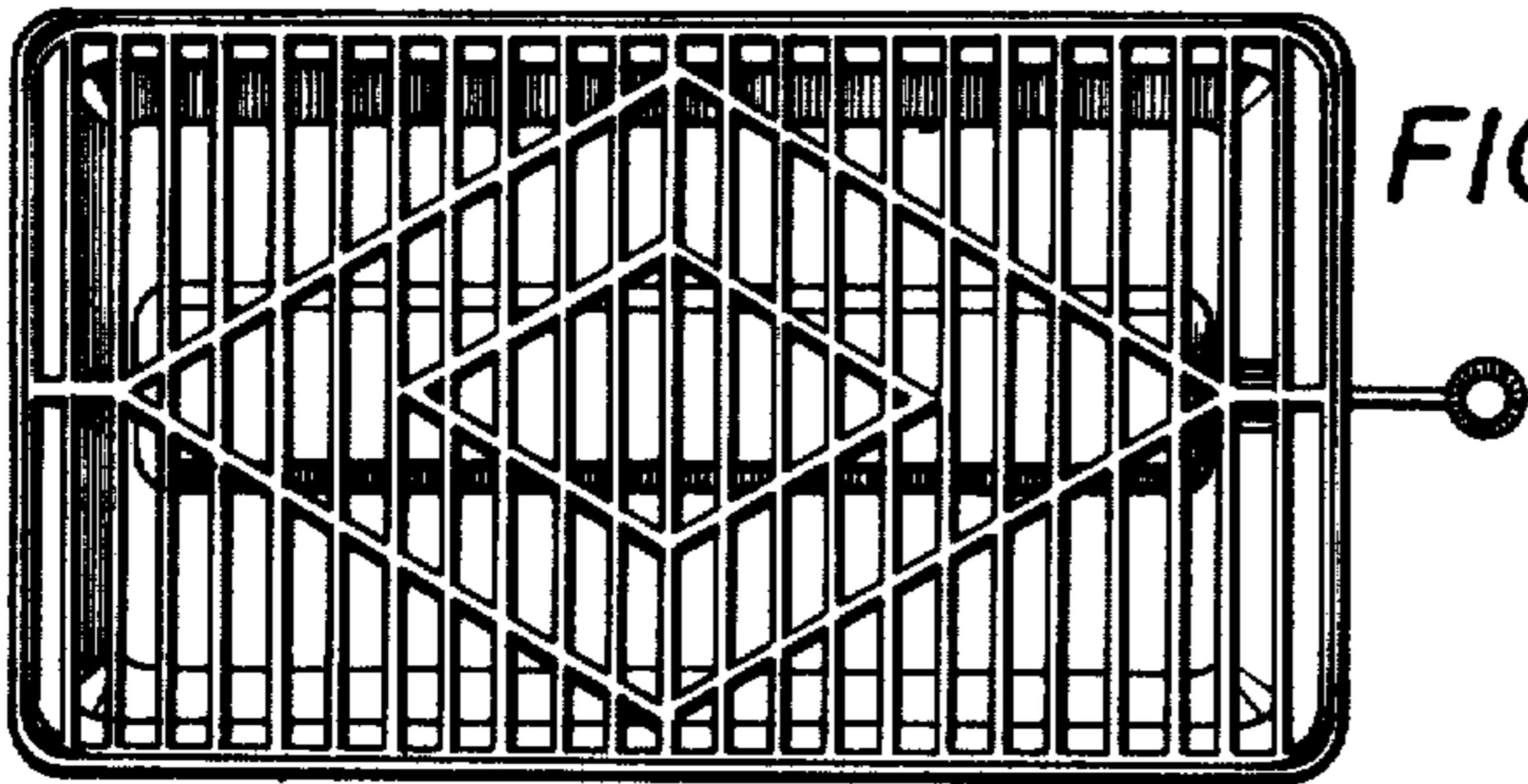


FIG. 3

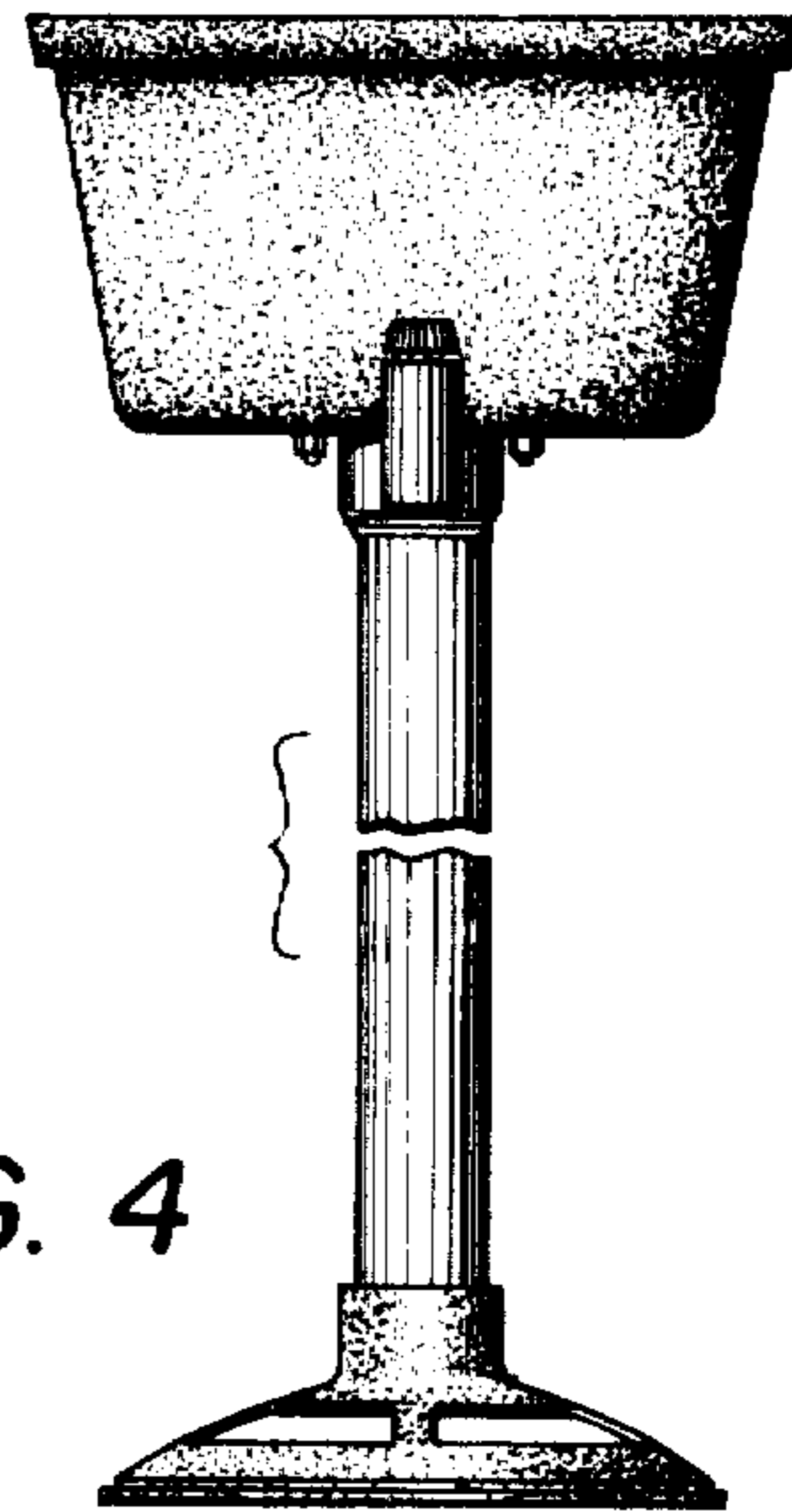


FIG. 4

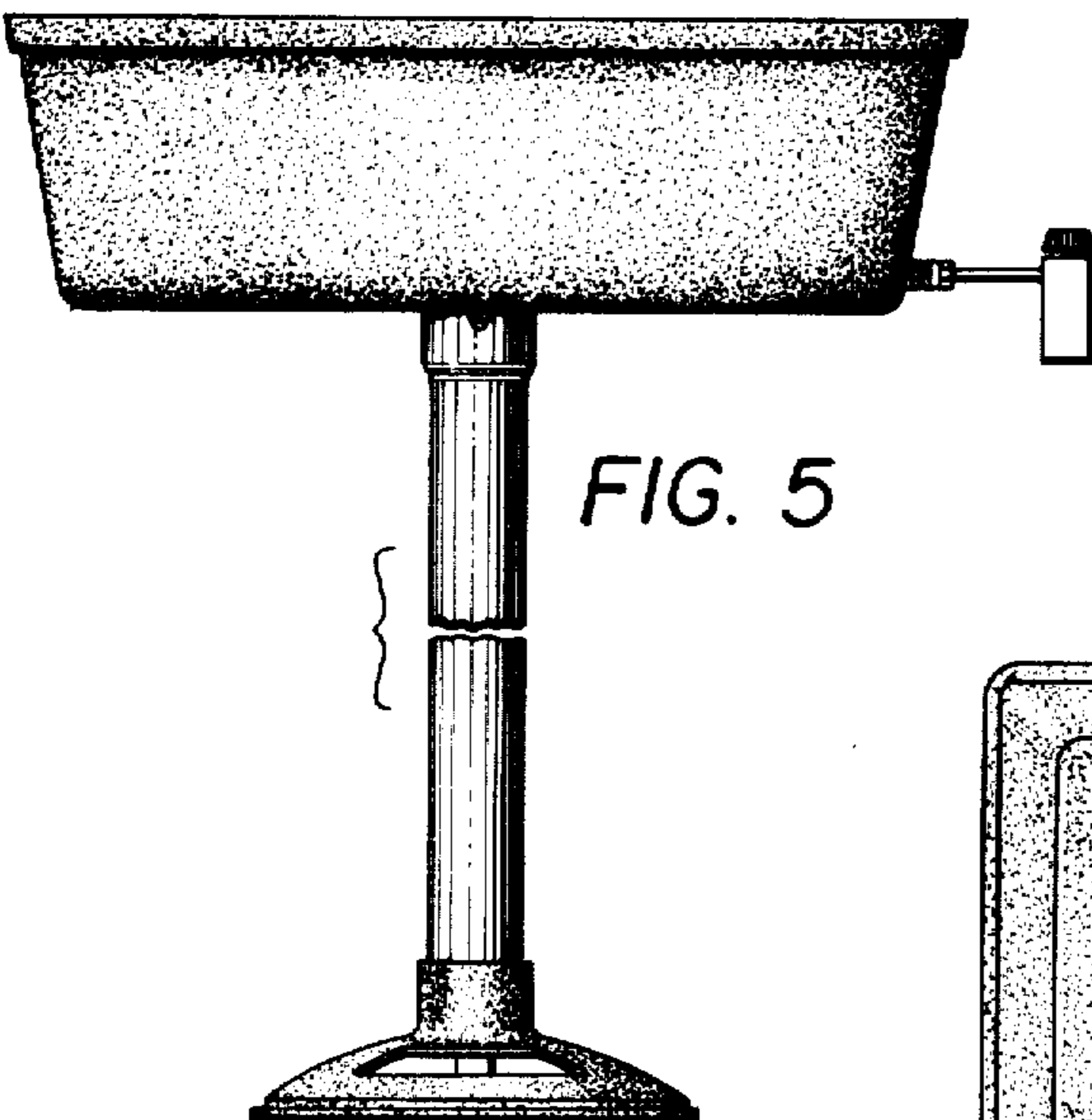


FIG. 5

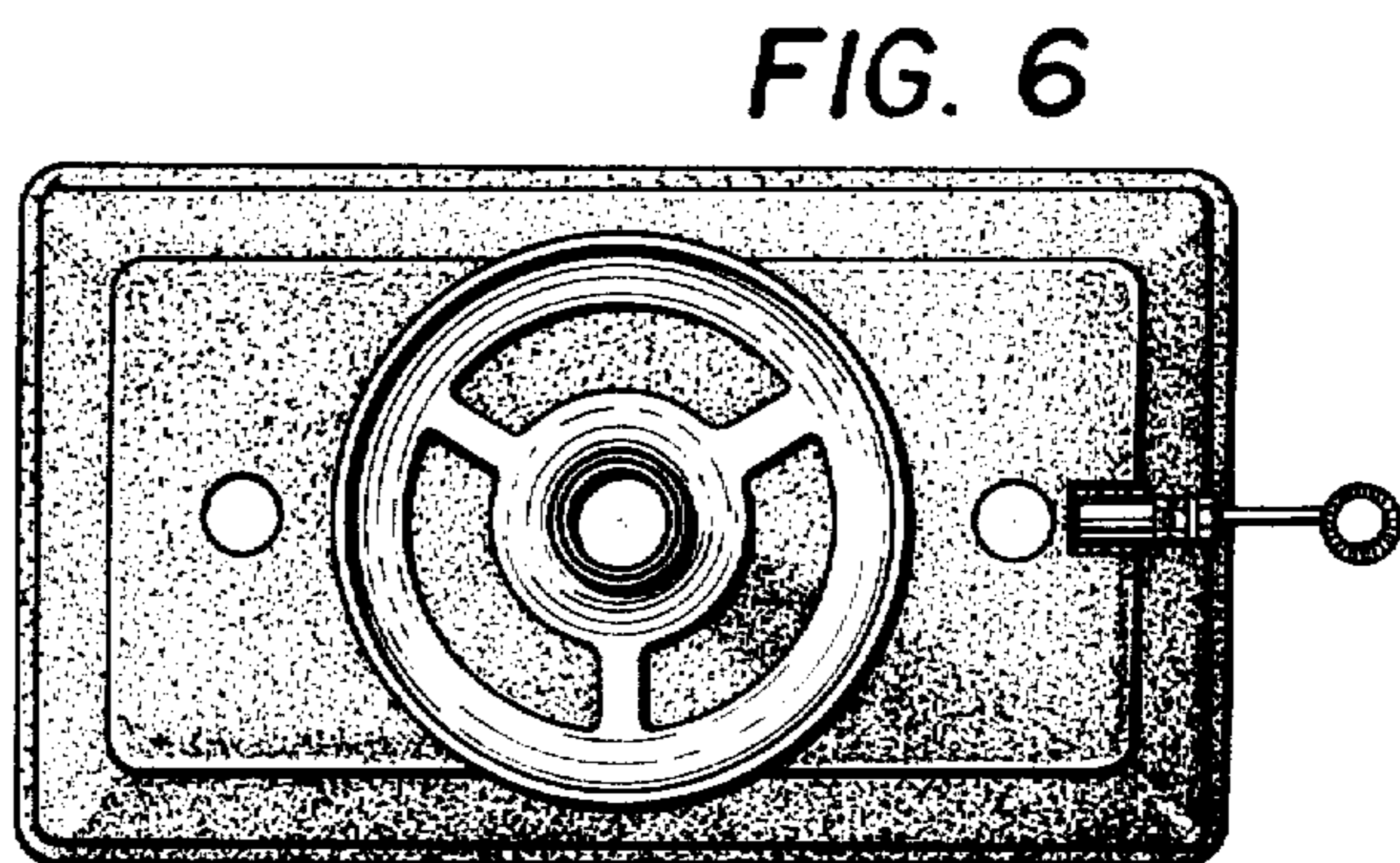


FIG. 6