

[54] COOKING POT

[75] Inventor: Toshio Sano, Tsubame, Japan
 [73] Assignee: Kabushiki Kaisha Sano Seisakusho, Japan
 [**] Term: 14 Years
 [21] Appl. No.: 966,461
 [22] Filed: Dec. 4, 1978

[30] Foreign Application Priority Data

Jun. 3, 1978 [JP] Japan 53-023092

[51] Int. Cl. D07-02
 [52] U.S. Cl. D7/97
 [58] Field of Search D7/85, 97, 17

[56] References Cited

U.S. PATENT DOCUMENTS

D. 107,078 11/1937 Guild D7/97
 D. 133,936 9/1942 Barnsteiner D7/97
 D. 160,070 9/1950 Carr D7/97
 D. 172,838 8/1954 Olswang D7/97

OTHER PUBLICATIONS

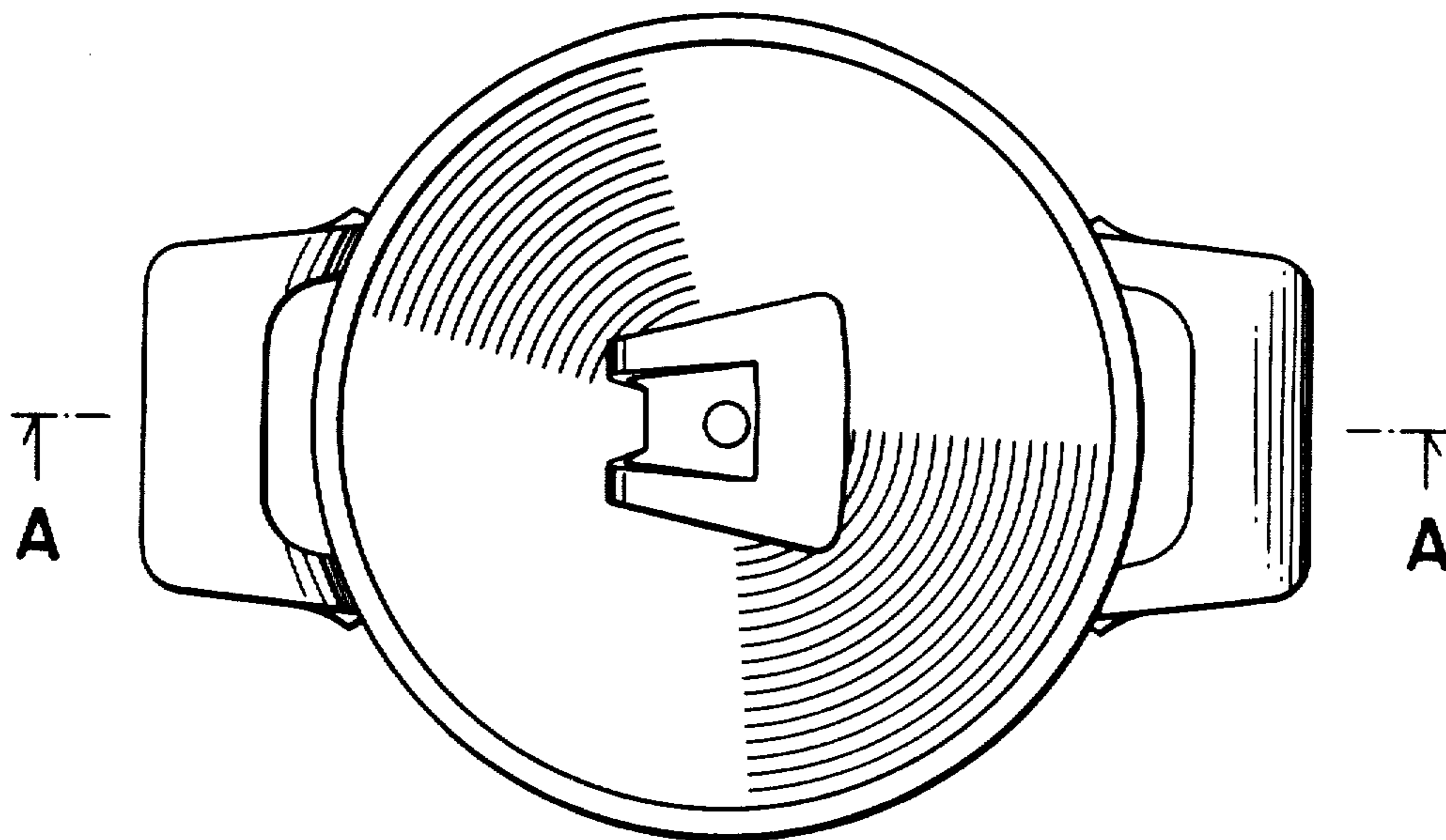
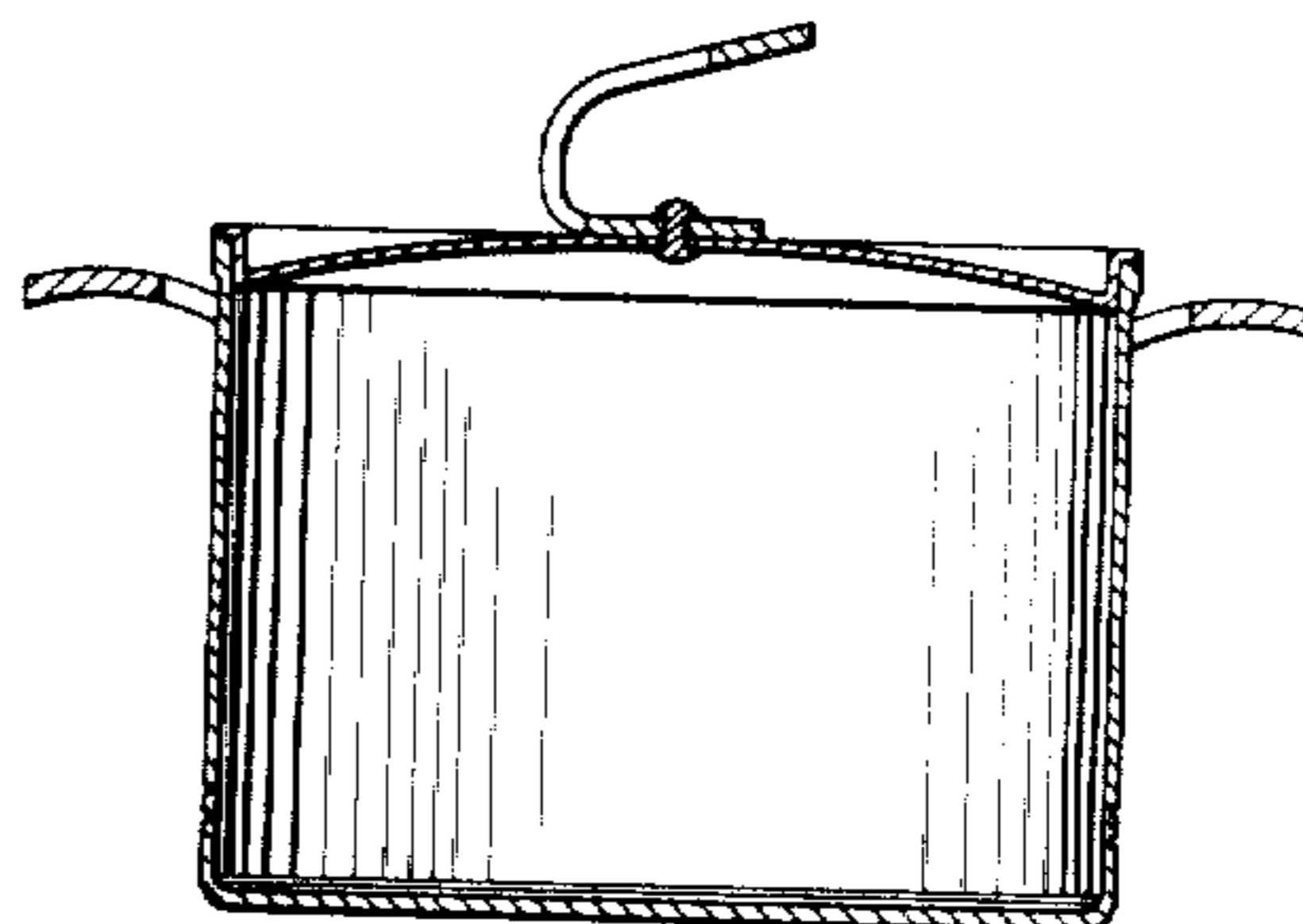
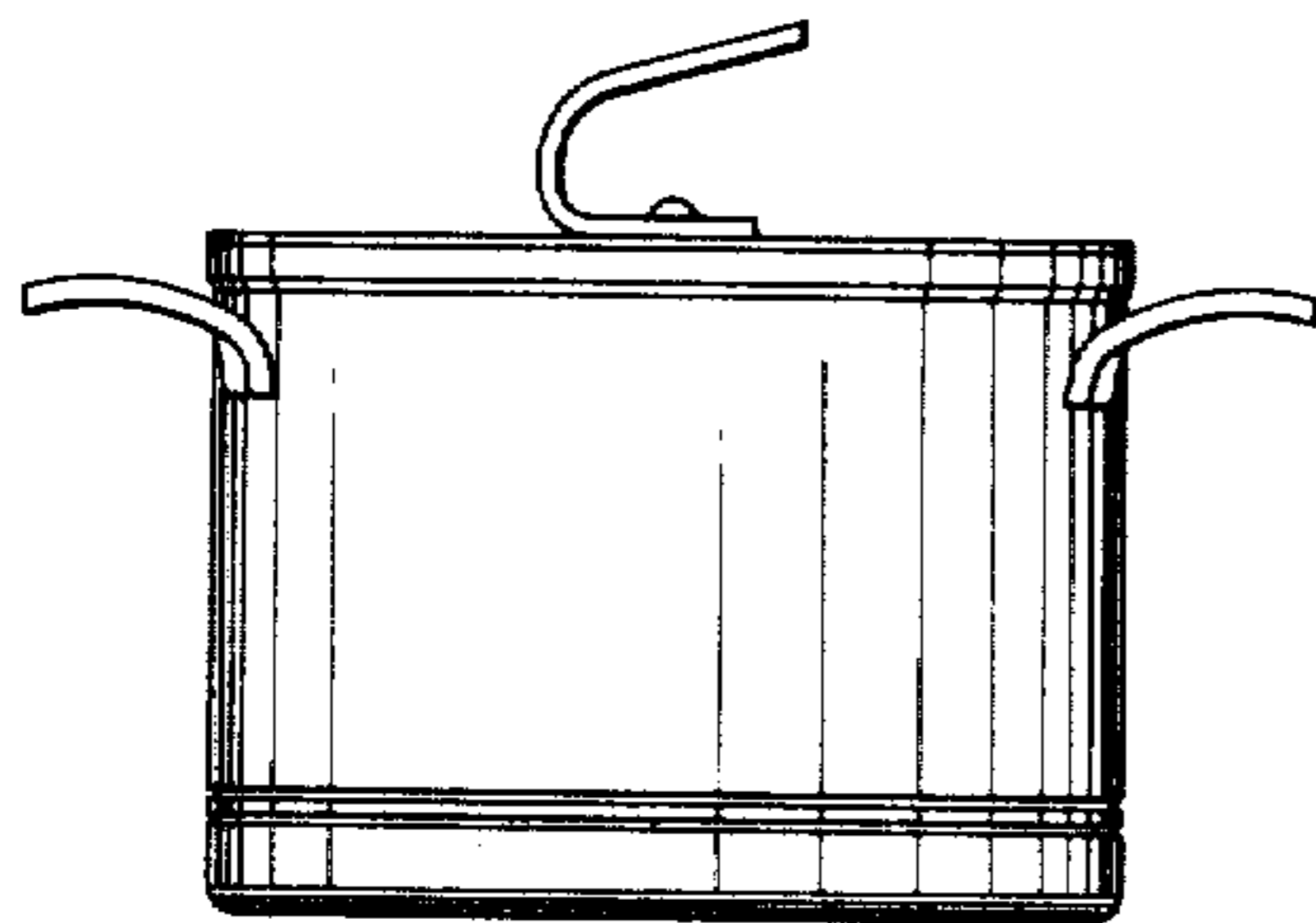
Revere Ware Limited Edition Collection, 8-1972, Solid Copper 9-pc. set, Covered Saucepan.
Gifts & Decorative Accessories, Jan., 1977, p. 100, "Taverna" Cookware-Georg Jensen, center r. panel, center Covered Pot.
Installment Retailing, Jun. 1953, vol. #1, #10, p. 25, Regal Supreme Cookware, center Pot.
 Primary Examiner—Winifred E. Herrmann
 Attorney, Agent, or Firm—Robert E. Burns; Emmanuel J. Lobato; Bruce L. Adams

[57] CLAIM

The ornamental design for a cooking pot, substantially as shown and described.

DESCRIPTION

FIG. 1 is a front elevational view of a cooking pot showing my new design;
 FIG. 2 is a right side elevational view thereof;
 FIG. 3 is a left side elevational view thereof;
 FIG. 4 is a top plan view thereof;
 FIG. 5 is a bottom plan view thereof; and
 FIG. 6 is a sectional view along A—A line in FIG. 4.



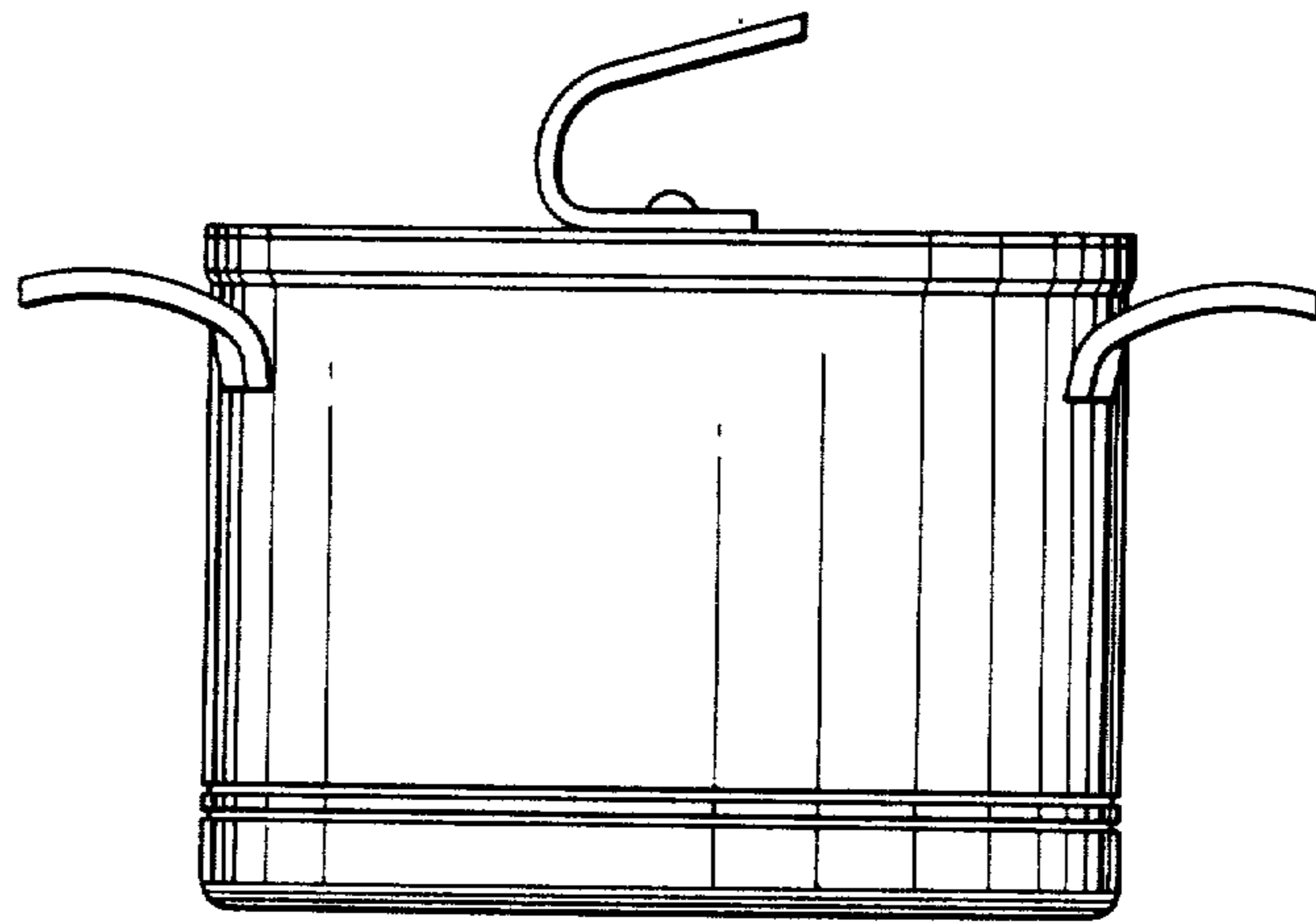


FIG. 1

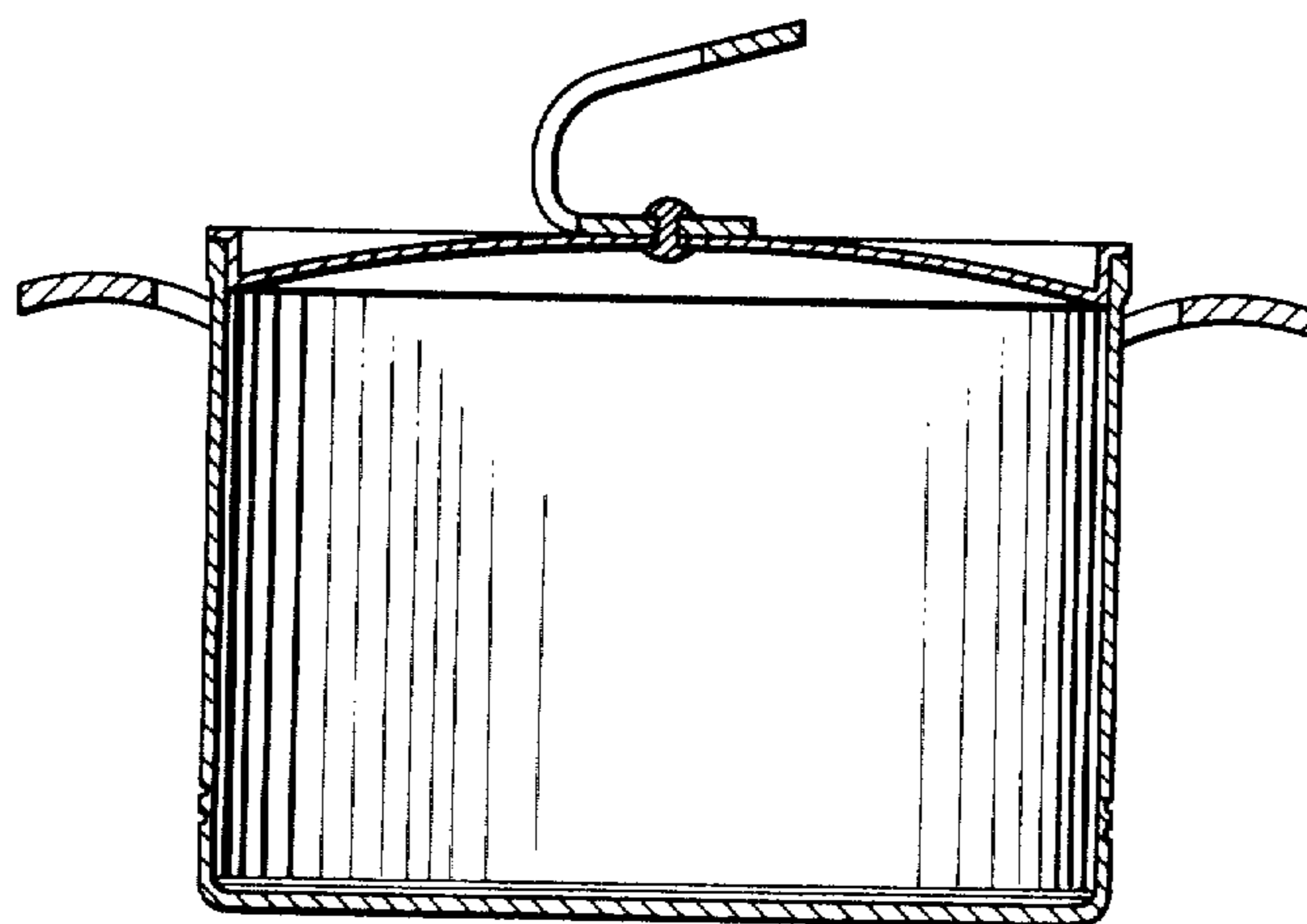


FIG. 6

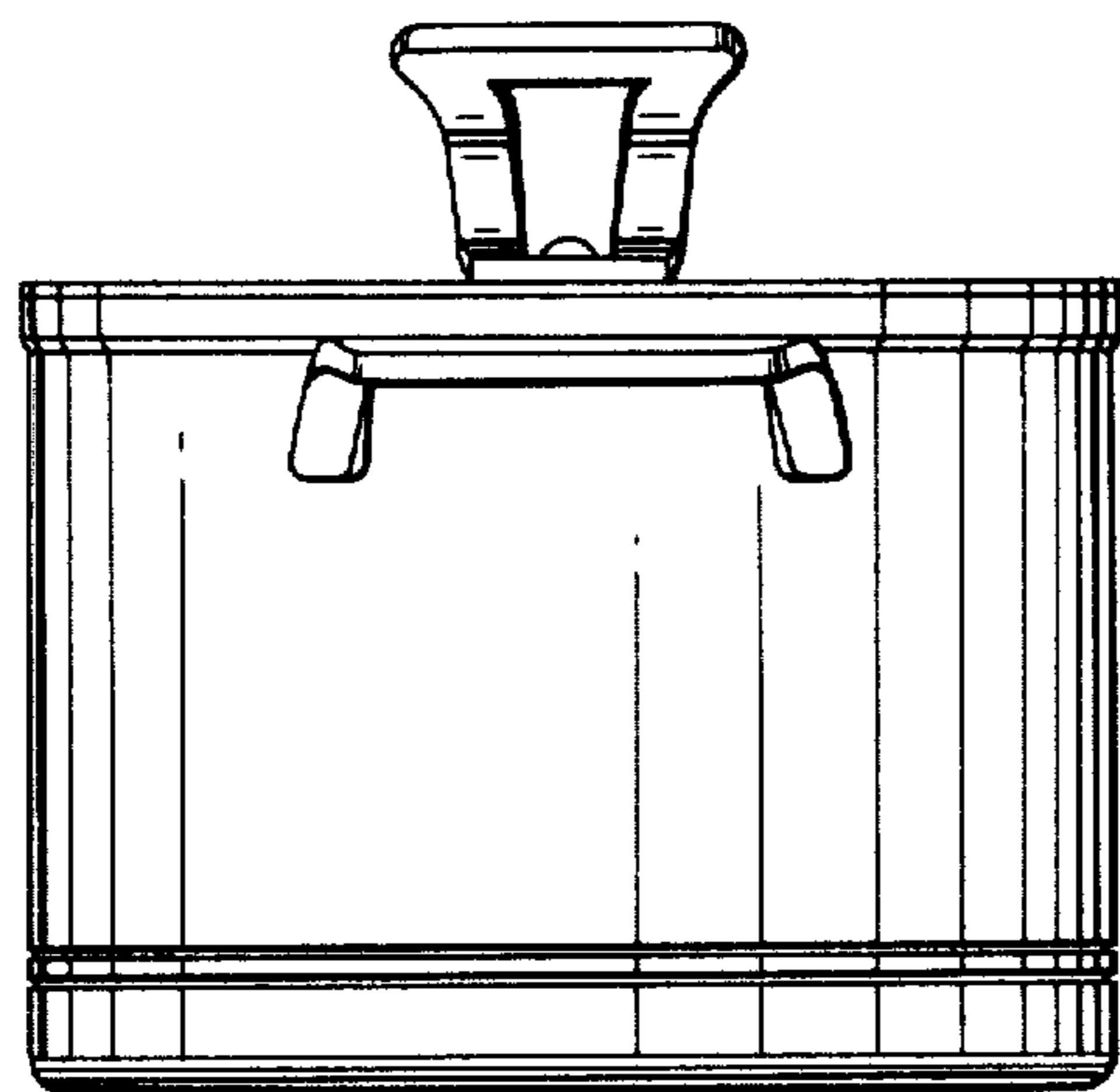


FIG. 2

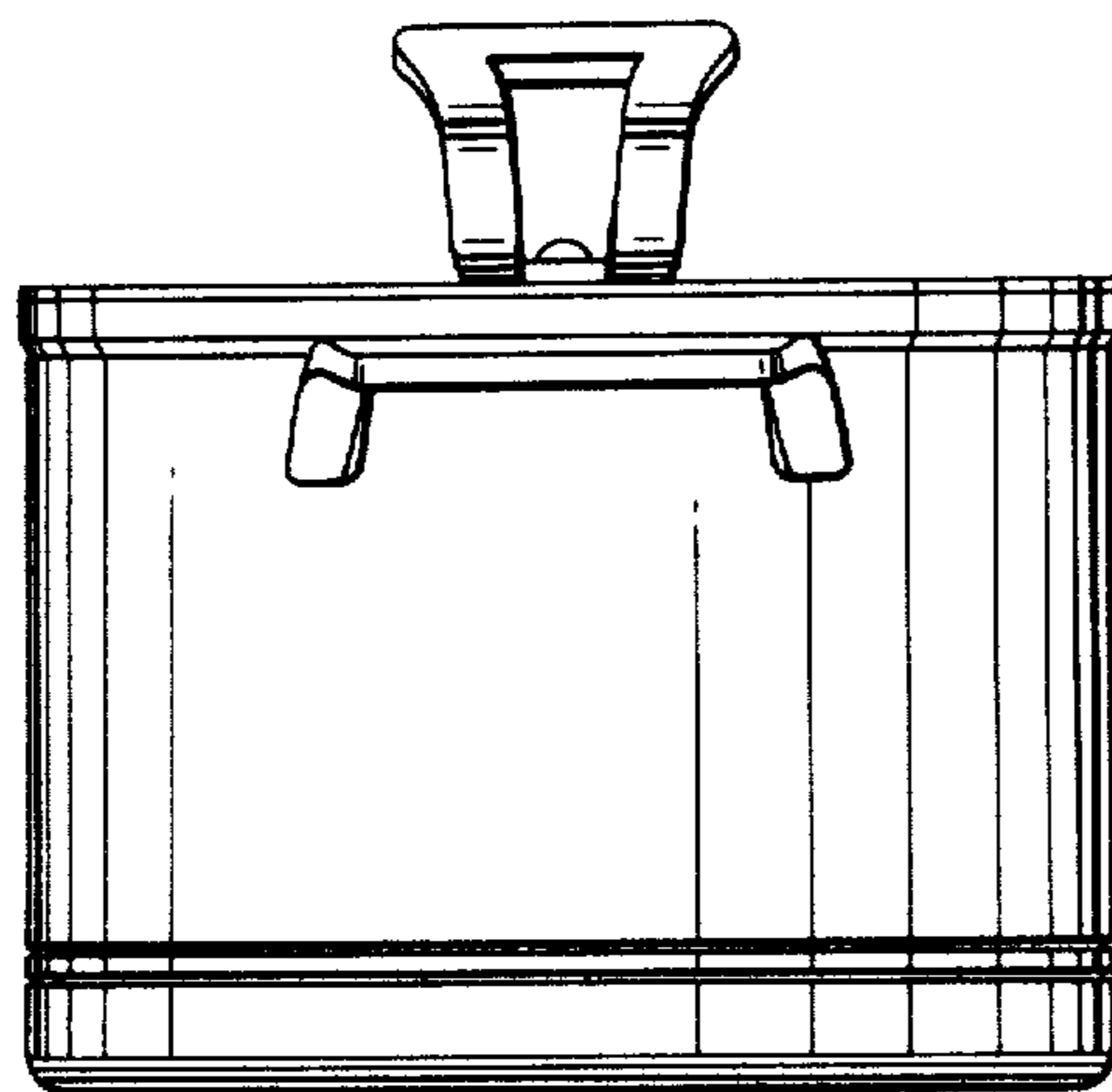


FIG. 3

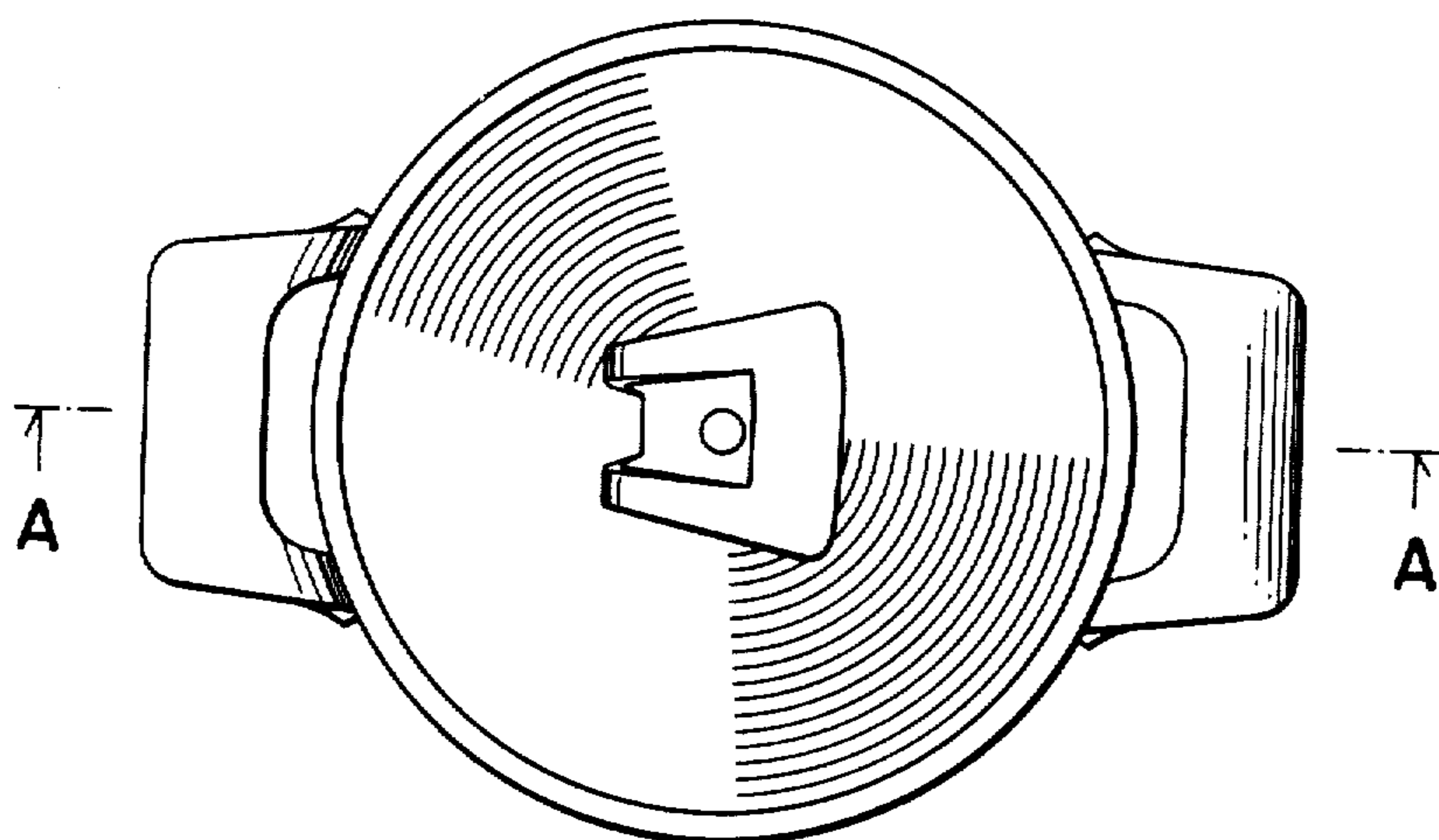


FIG. 4

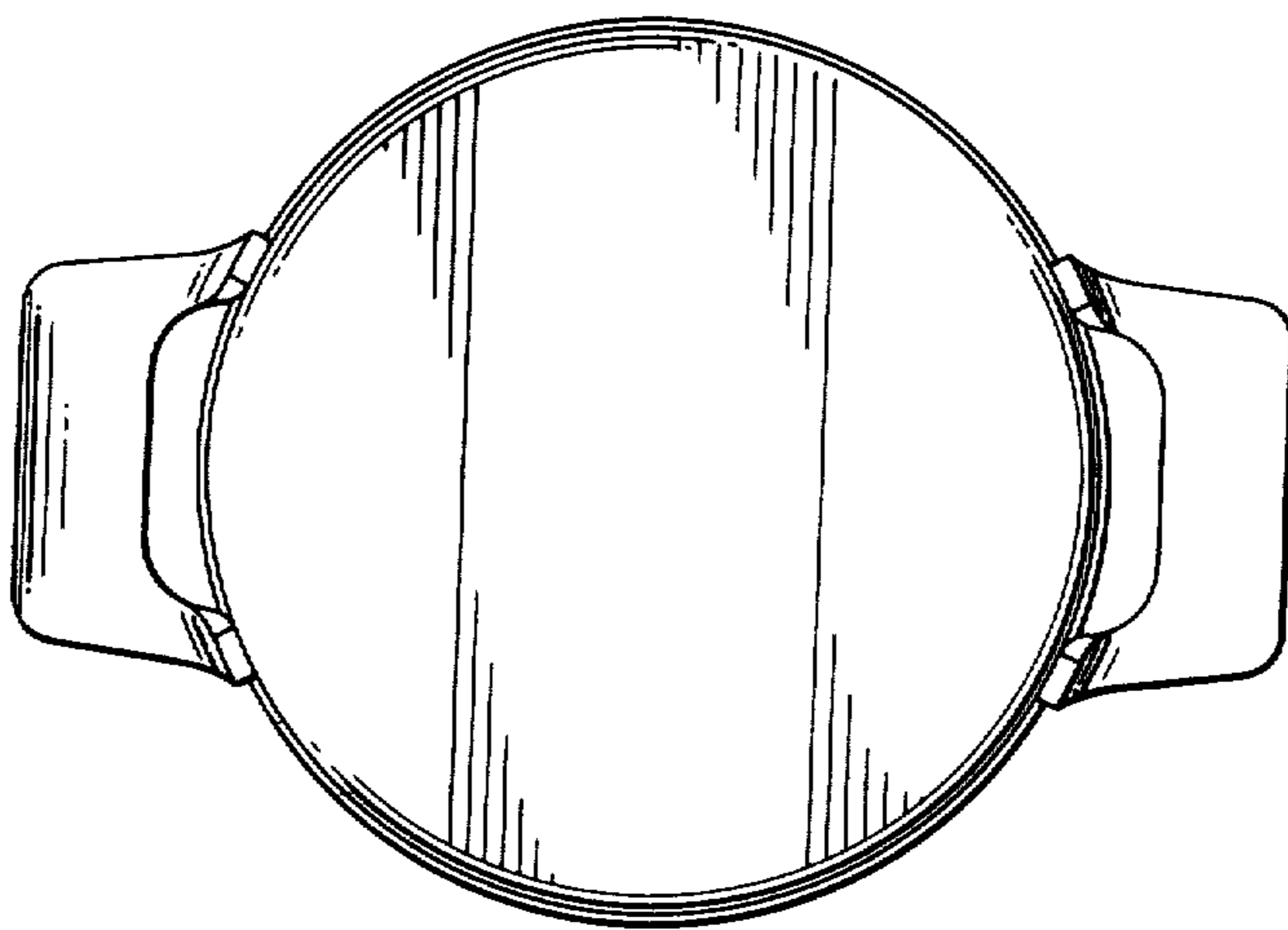


FIG. 5