

[54] SUPPORT STAND FOR DISHES OR THE LIKE

[75] Inventor: Kenneth R. LeVan, Kintnersville, Pa.

[73] Assignee: Corning Glass Works, Corning, N.Y.

[\*\*] Term: 14 Years

[21] Appl. No.: 174,218

[22] Filed: Jul. 31, 1980

Related U.S. Application Data

[62] Division of Ser. No. 969,245, Dec. 13, 1978.

[51] Int. Cl. D07-06

[52] U.S. Cl. D7/39; D6/196; D6/198; D7/130

[58] Field of Search D6/175, 188, 177, 196, D6/198; D7/130, 38, 37, 129, 3, 41, 21, 39; D30/8, 16

References Cited

U.S. PATENT DOCUMENTS

D. 198,804 8/1964 Stevens D7/38

D. 217,912	6/1970	Trippett	D6/175 X
D. 218,832	9/1970	Woods	D6/175
2,916,161	12/1959	Schaefer	D7/41 X
3,887,288	6/1975	Glaser	D6/177 X
3,986,316	10/1976	Blodee	D6/177 X
3,993,005	11/1976	Burr	D6/177 X
4,039,133	8/1977	Streicher	D6/177 X

OTHER PUBLICATIONS

Gifts & Decorative Accessories, Jan. 1978, p. 144, Burnt Bamboo Rack, top left rack (sugar & creamer set).

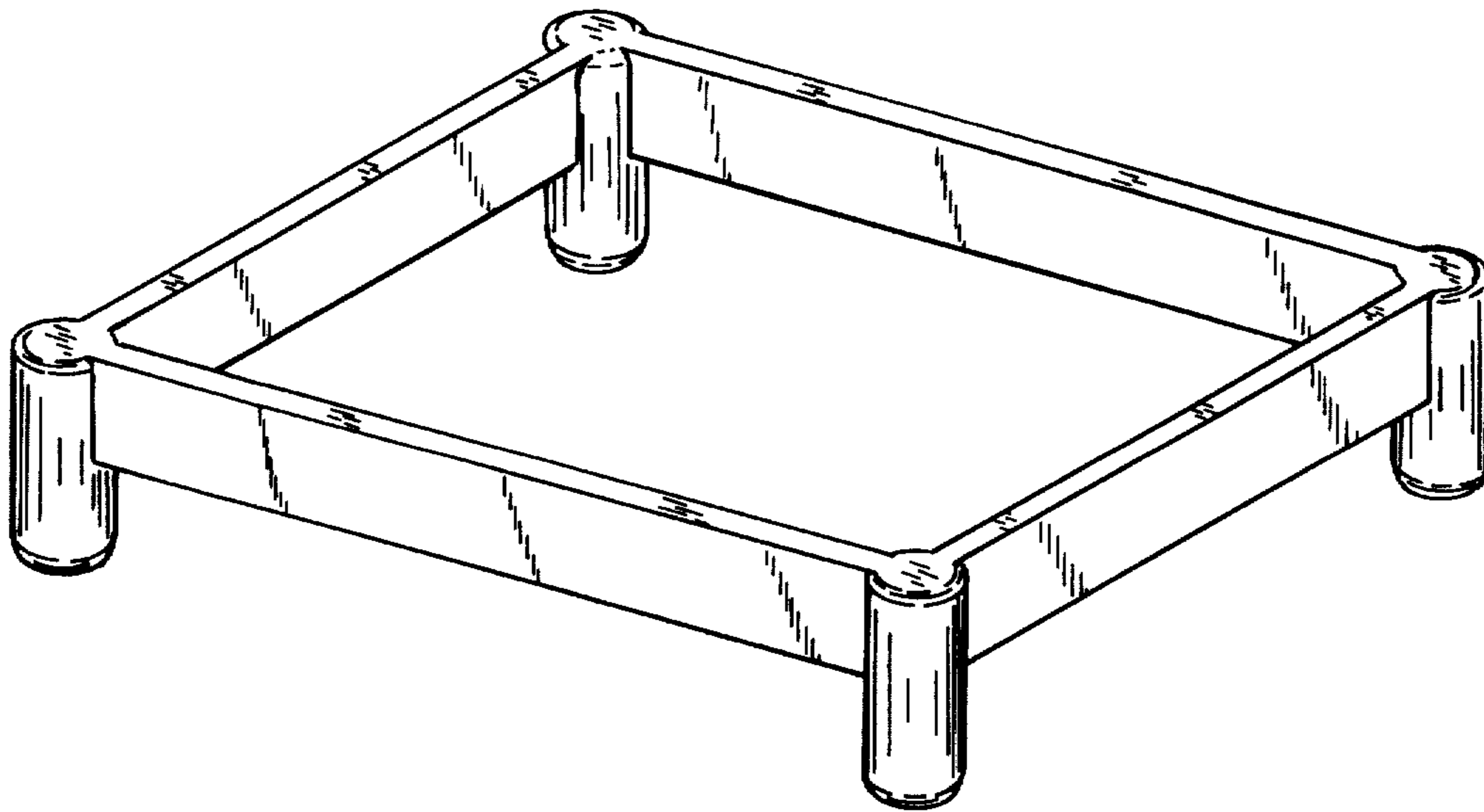
Primary Examiner—Winifred E. Herrmann  
Attorney, Agent, or Firm—Burton R. Turner

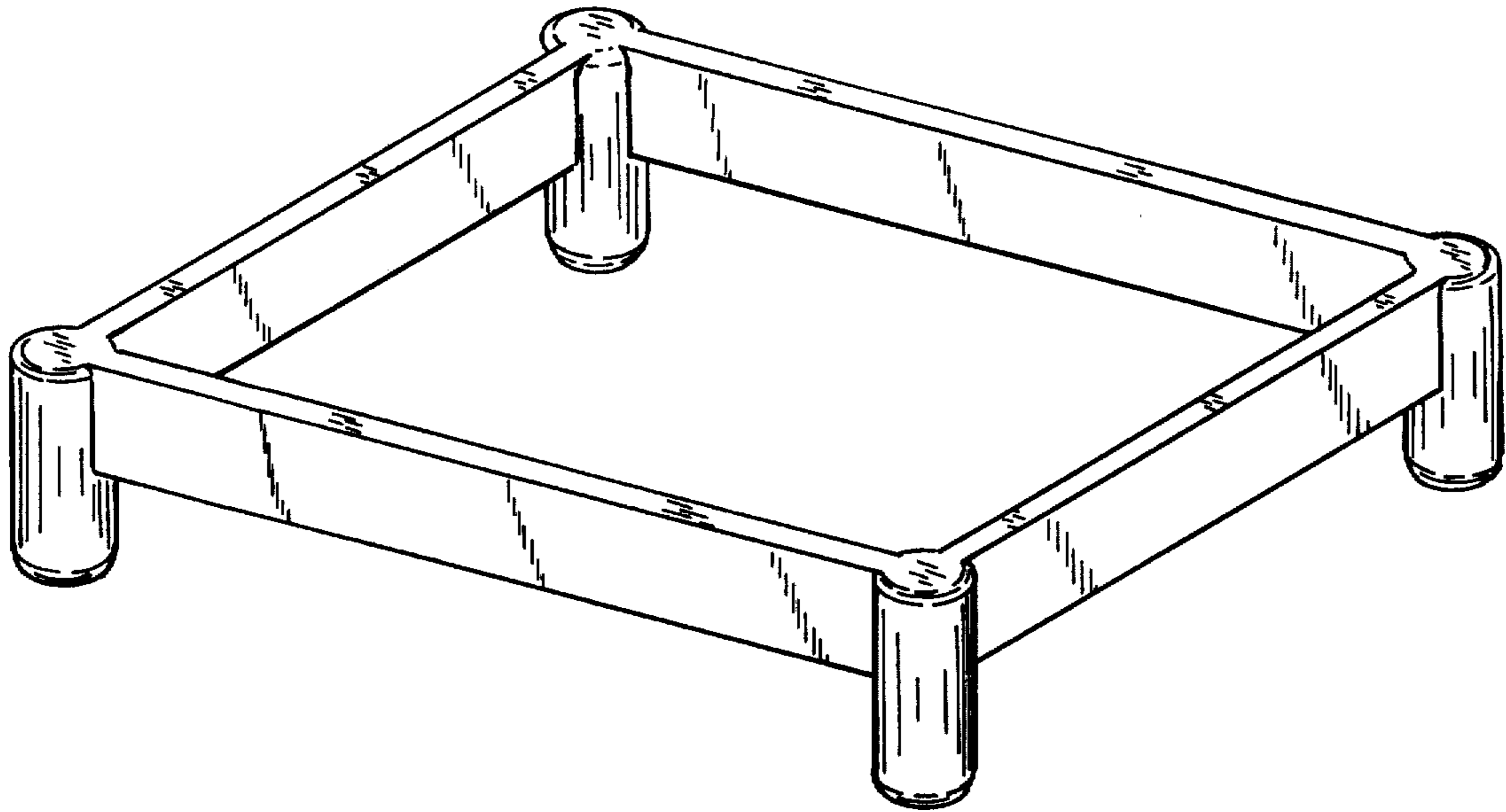
[57] CLAIM

The ornamental design for a support stand for dishes or the like, as shown and described.

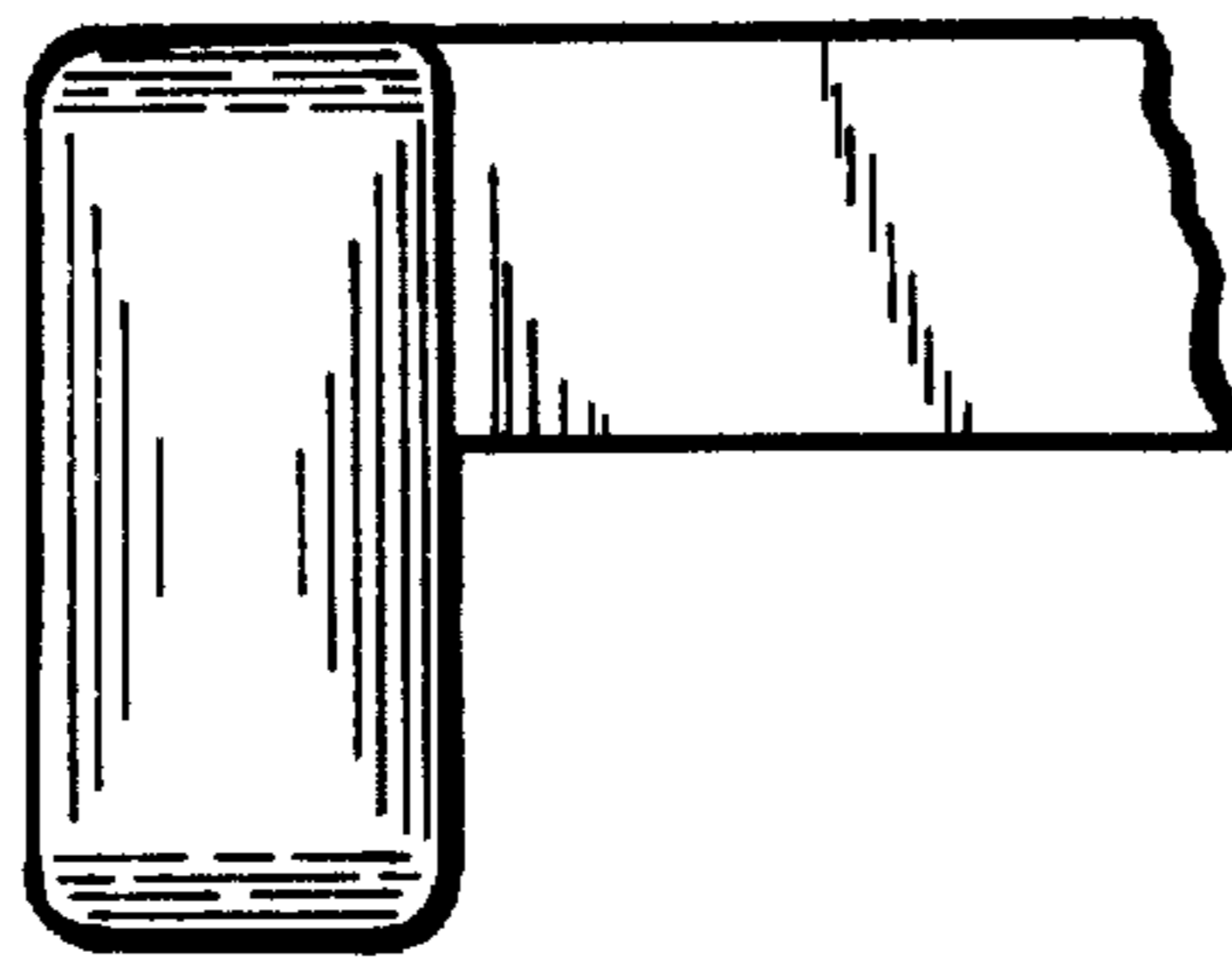
DESCRIPTION

FIG. 1 is a top perspective view of a support stand for dishes or the like showing my new design; FIG. 2 is a fragmentary elevational view of one corner thereof; and FIG. 3 is a top plan view thereof; the bottom plan view being substantially similar thereto.

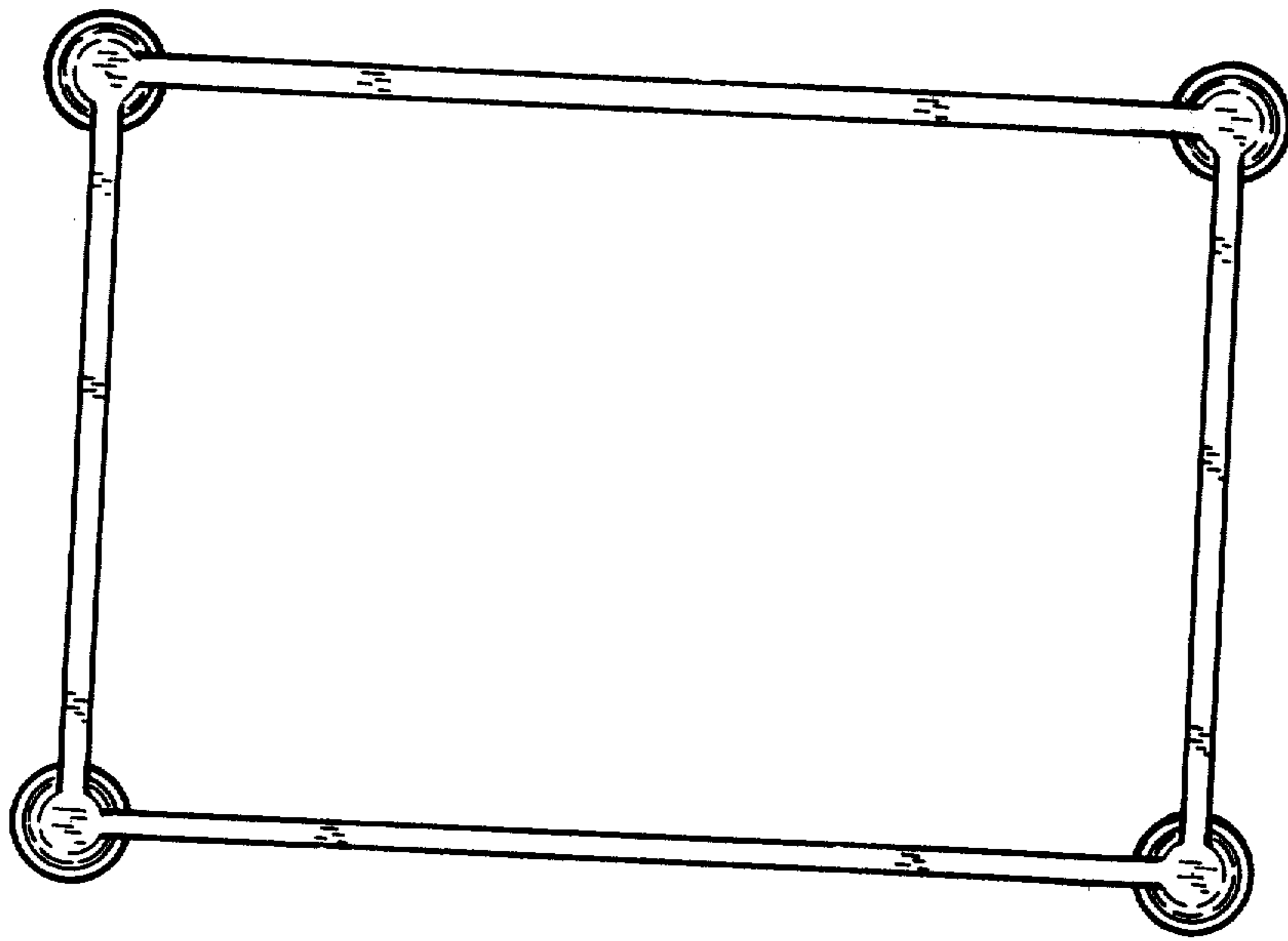




*Fig. 1*



*Fig. 2*



*Fig. 3*