

[54] COMBINED MAGAZINE STAND AND CABLE TV CHANNEL SELECTOR HOLDER

D. 150,997 9/1948 Long D6/184
D. 242,808 12/1976 Moberg D19/91
674,668 5/1901 Bisler 248/441

[75] Inventor: Harry Cohen, Union, N.J.

Primary Examiner—Joel Stearman
Assistant Examiner—Carmen H. Vales
Attorney, Agent, or Firm—Carella, Bain, Gilfillan & Rhodes

[73] Assignee: Barry Cohen, Houston, Tex.

[**] Term: 14 Years

[21] Appl. No.: 94,505

[57] CLAIM

[22] Filed: Nov. 15, 1979

The ornamental design for a combined magazine stand and cable TV channel selector holder, as shown.

[51] Int. Cl. D06—04

[52] U.S. Cl. D6/184; D6/155

[58] Field of Search D6/85, 181, 184, 185,
D6/180, 156, 155, 178; 248/174, 441 R, 459;
D19/91, 92, 75, 86

DESCRIPTION

FIG. 1 is a front elevational view of a combined magazine stand and cable TV channel selector holder showing my new design;

FIG. 2 is a rear elevational view thereof;

FIG. 3 is a left side elevational view thereof;

FIG. 4 is a right side elevational view thereof;

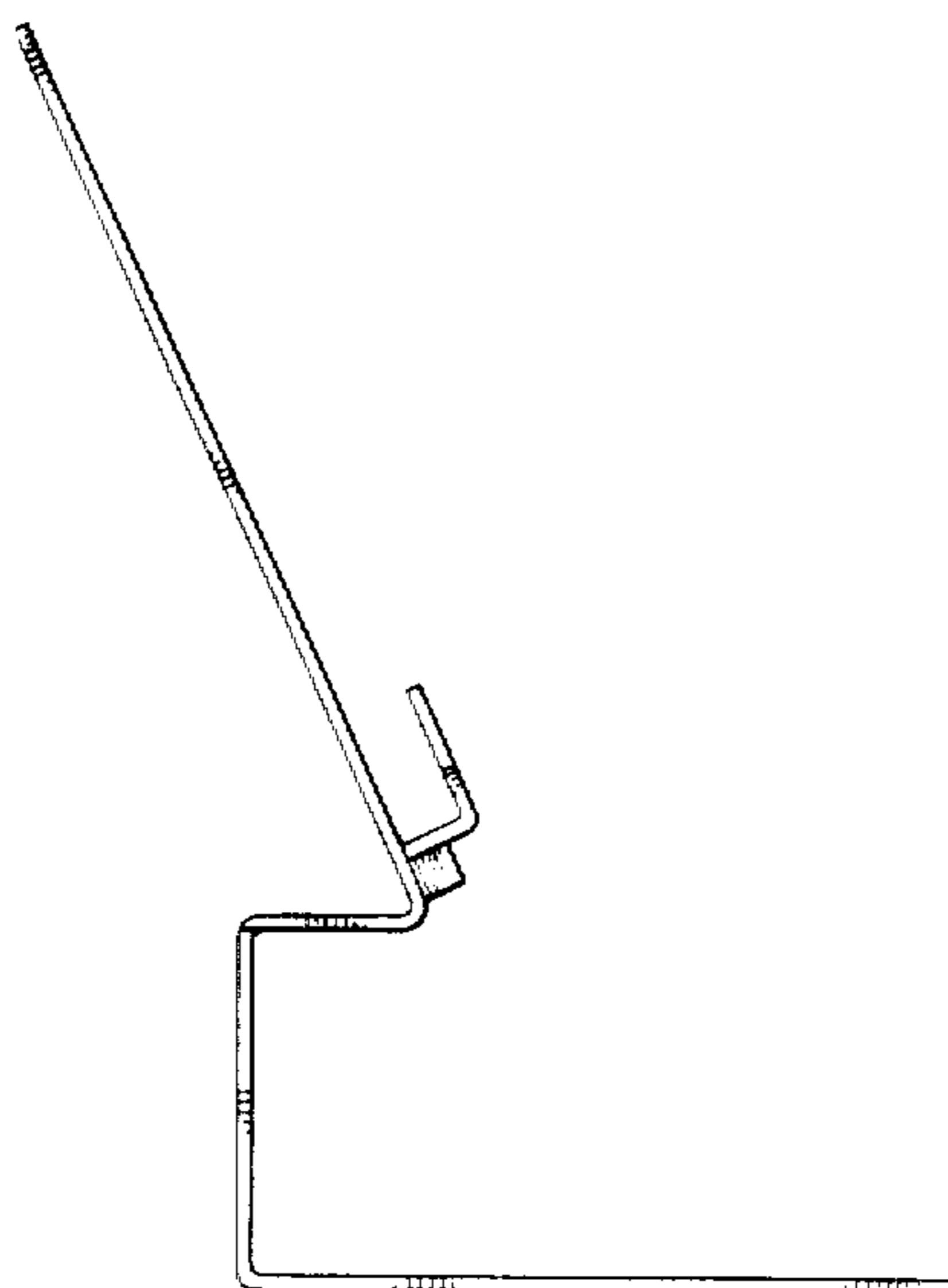
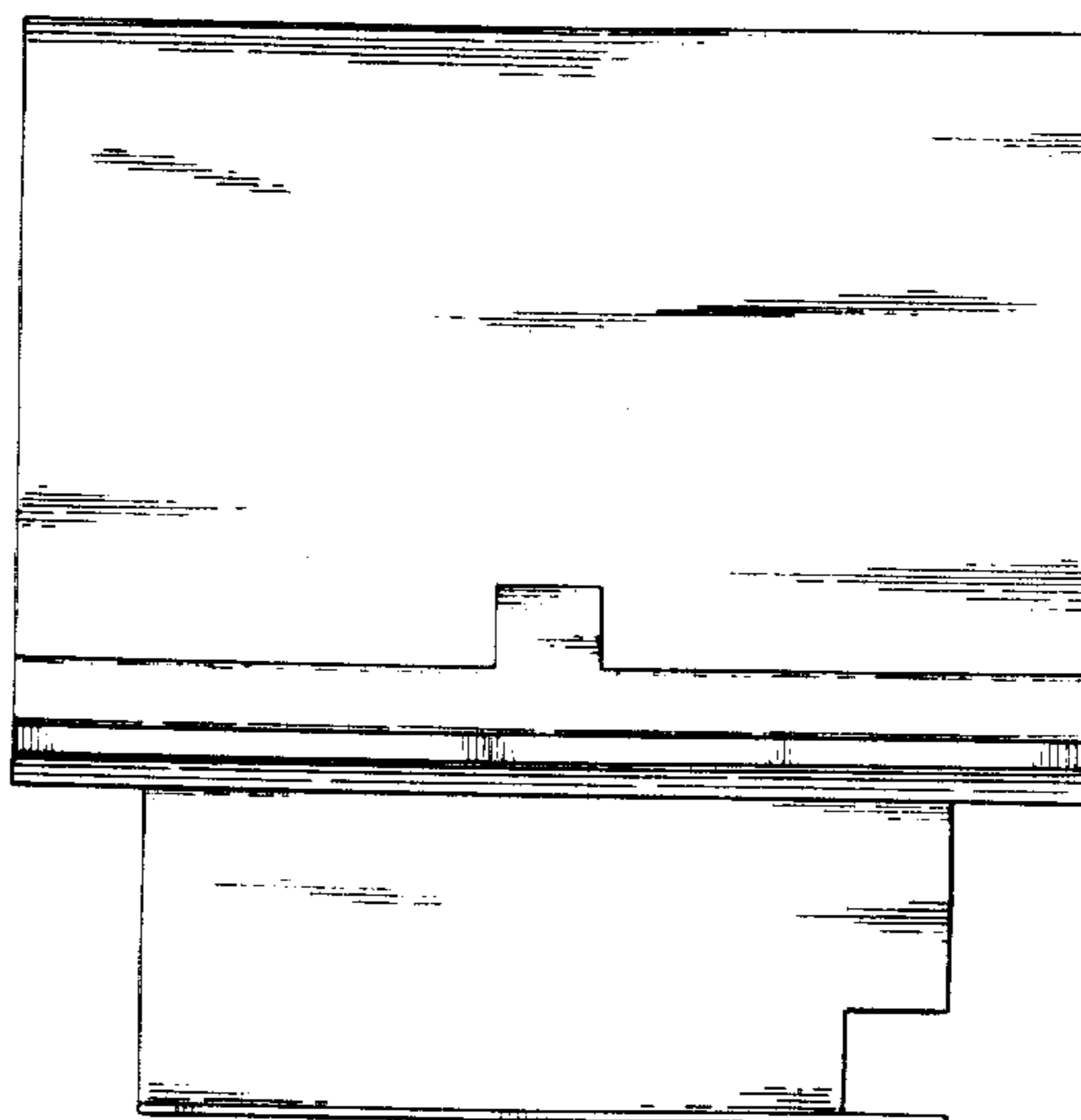
FIG. 5 is a top plan view thereof; and

FIG. 6 is a bottom plan view thereof.

[56] References Cited

U.S. PATENT DOCUMENTS

D. 63,246 11/1923 Weibezahn D6/184



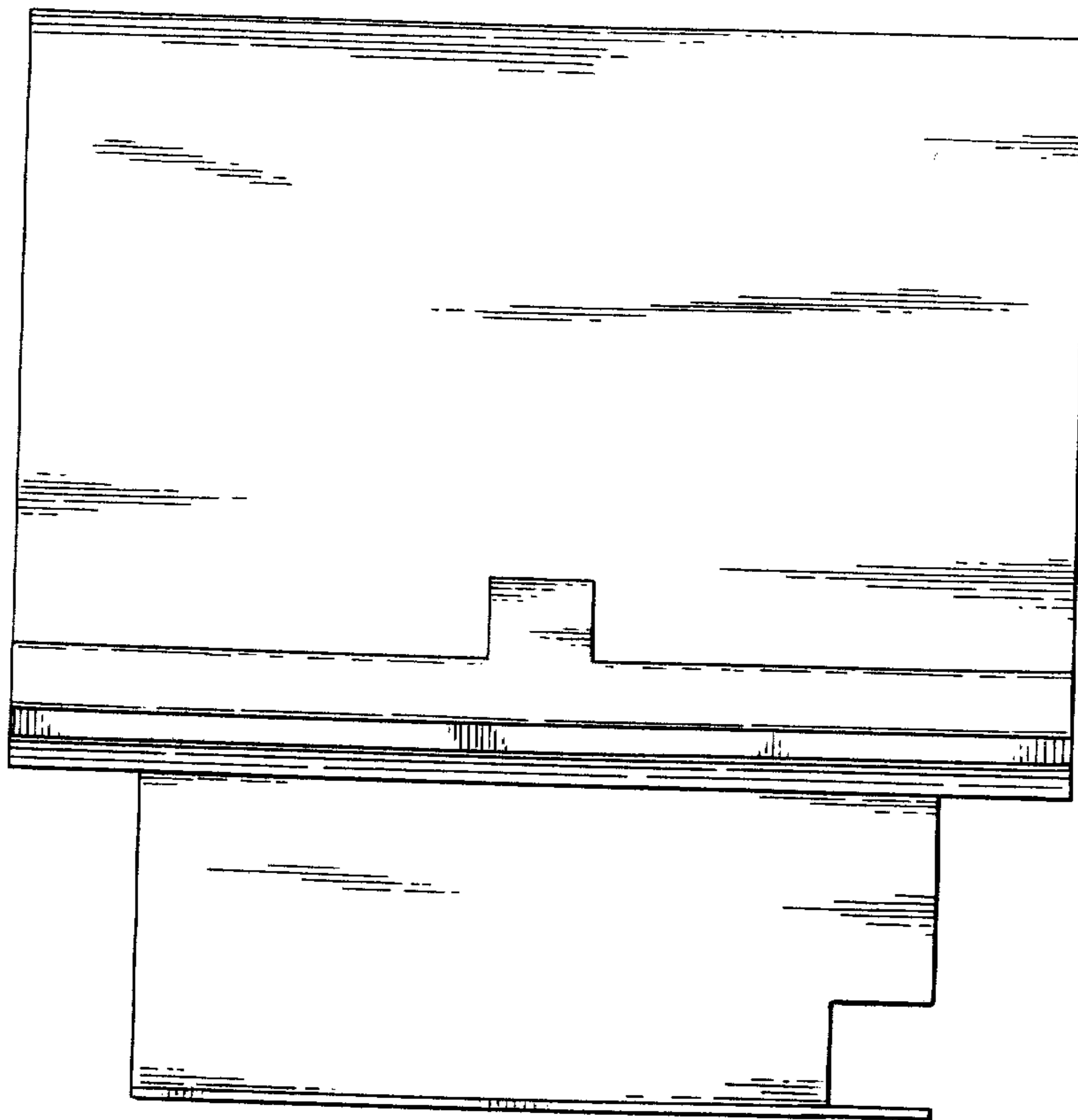


FIG. 1

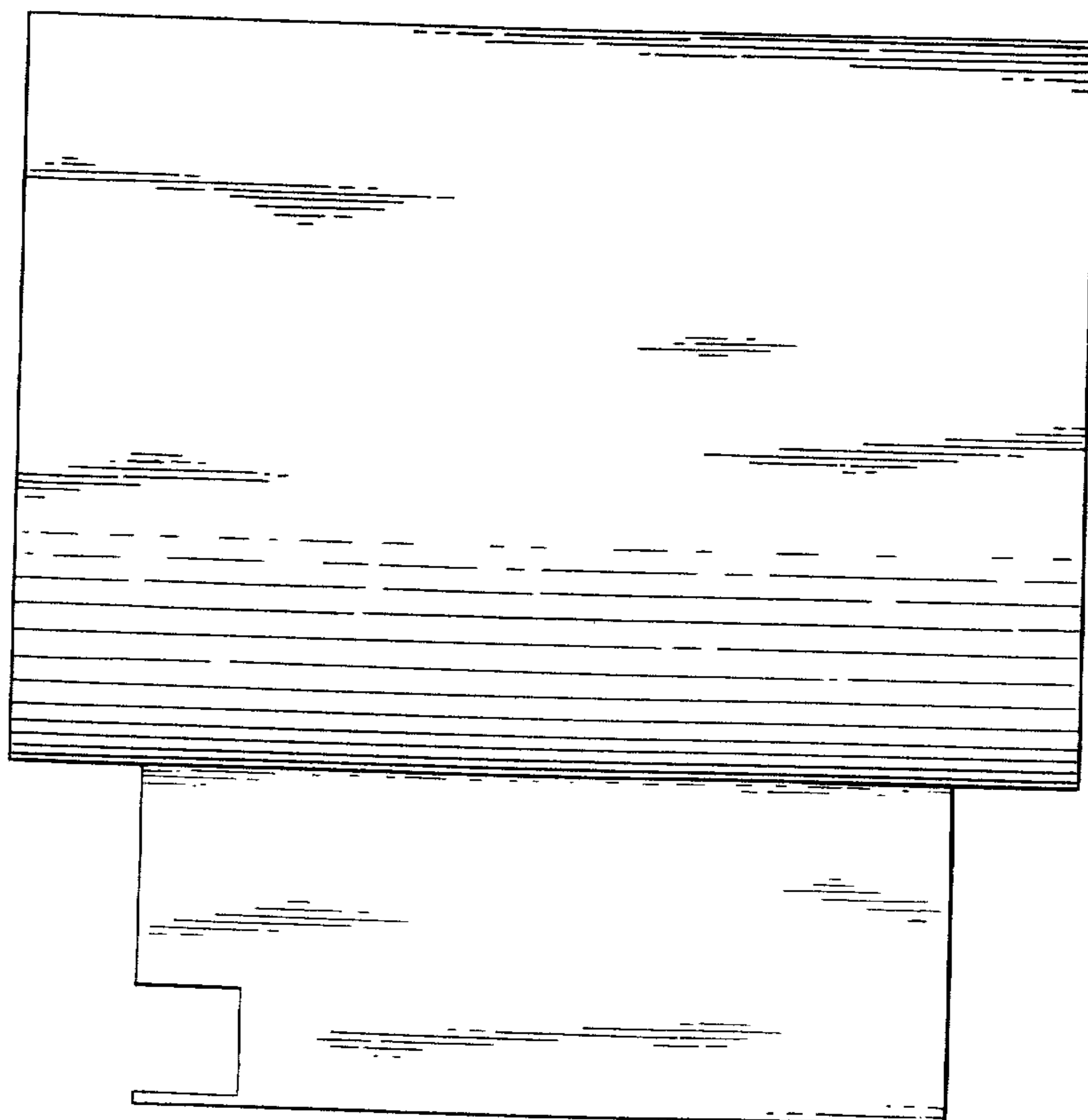


FIG. 2

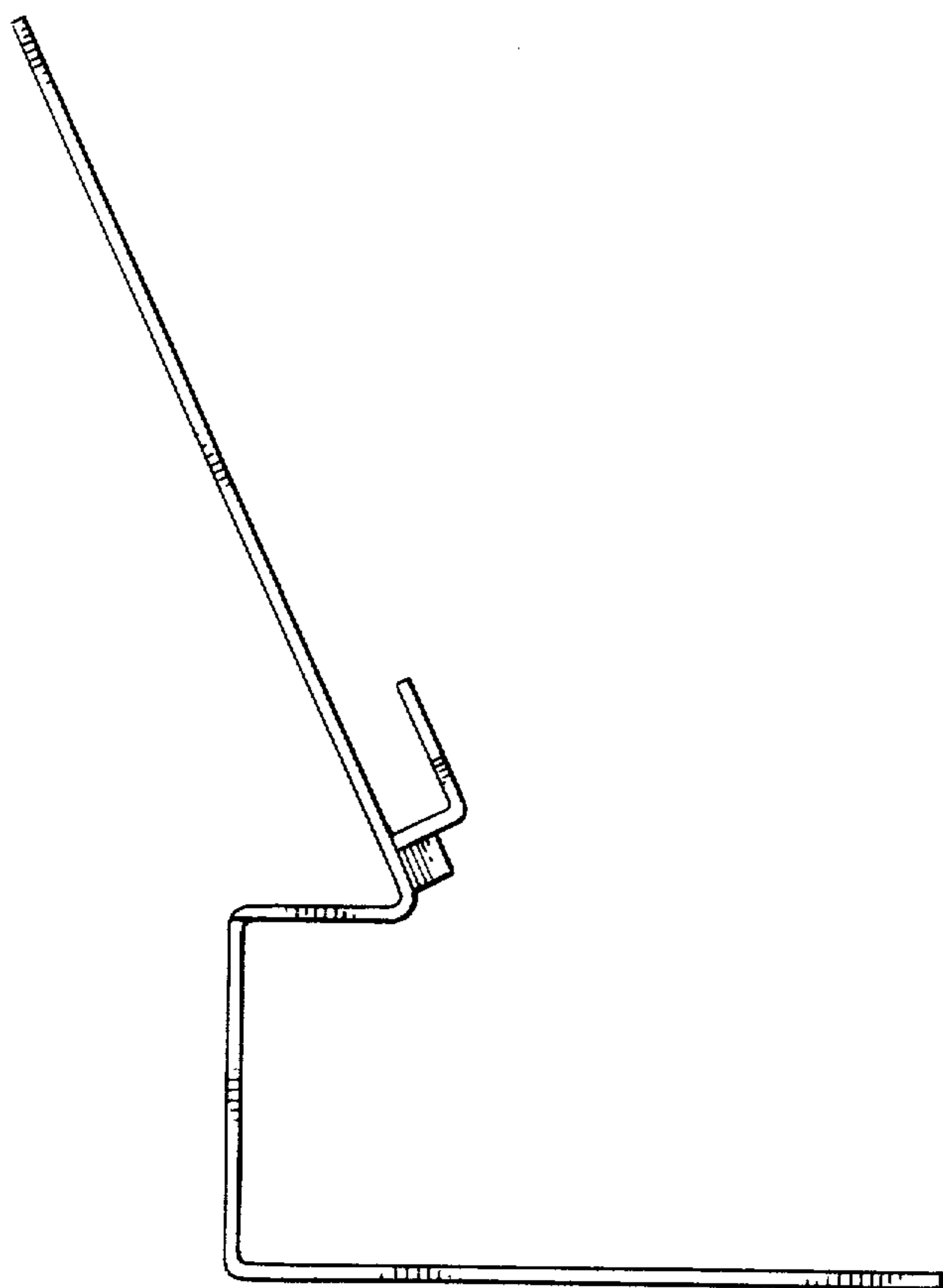


FIG. 3

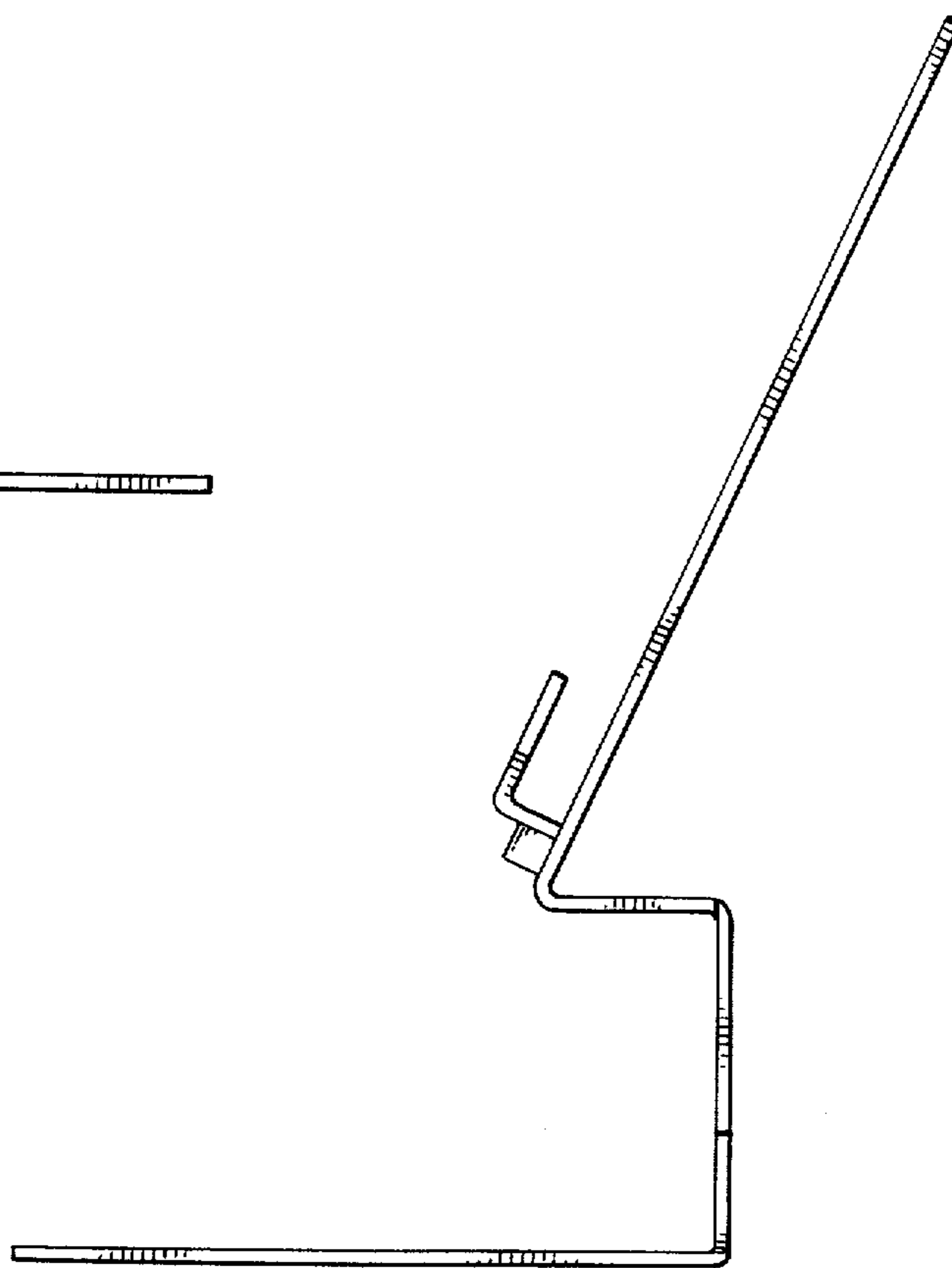


FIG. 4

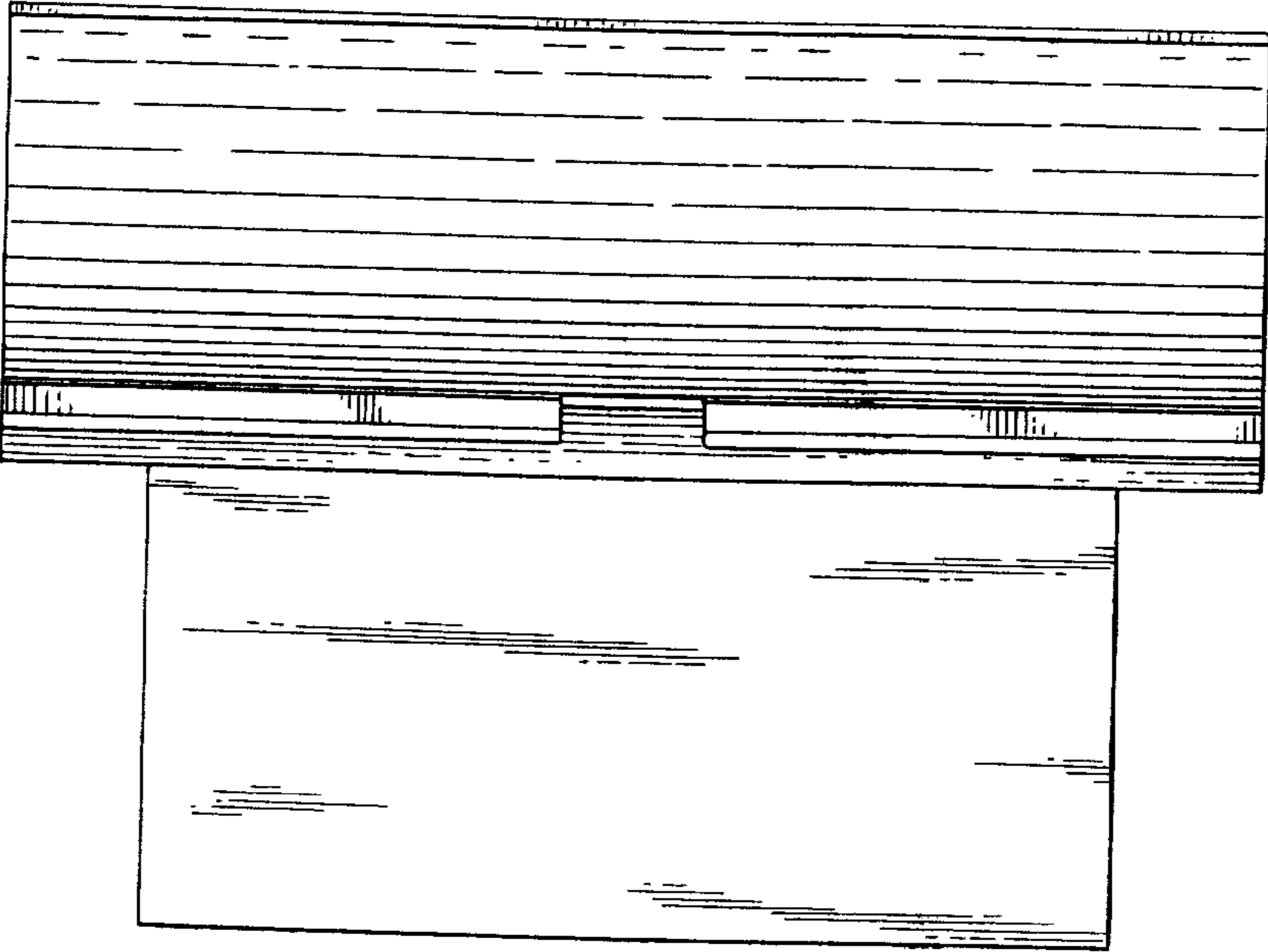


FIG. 5

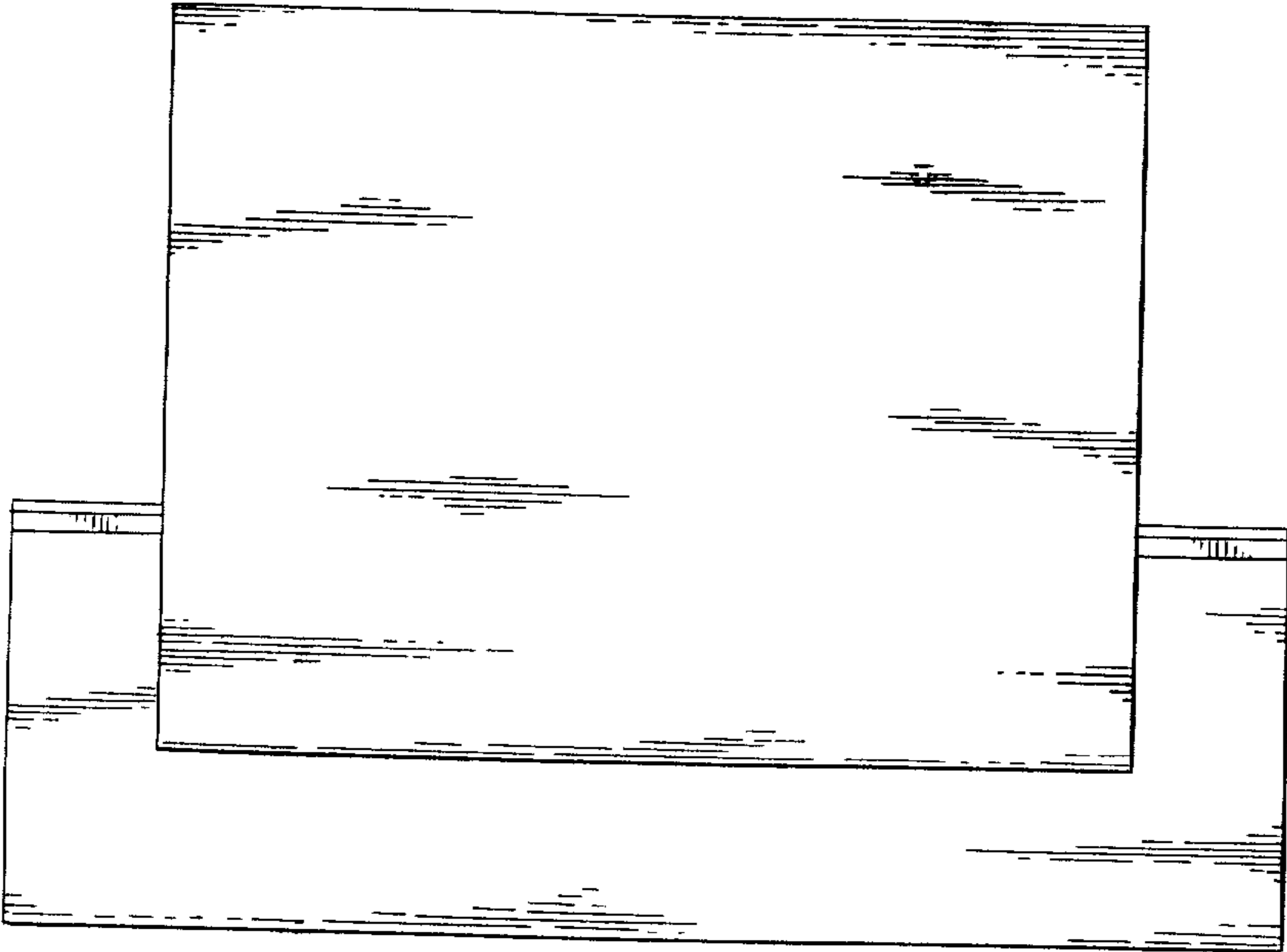


FIG. 6