

[54] TOWEL RING

[75] Inventor: Bruce R. Thompson, Tranmere, Australia

[73] Assignee: UPL Group Limited, Brisbane, Australia

[**] Term: 14 Years

[21] Appl. No.: 121,245

[22] Filed: Feb. 13, 1980

[51] Int. Cl. D23-02

[52] U.S. Cl. D6/99

[58] Field of Search D6/86-104; 211/13, 16, 87

[56] References Cited

U.S. PATENT DOCUMENTS

D. 234,990 4/1975 Morgan D6/99

D. 238,921 2/1976 Vrignaud D6/99
D. 254,460 3/1980 Tegner D6/99

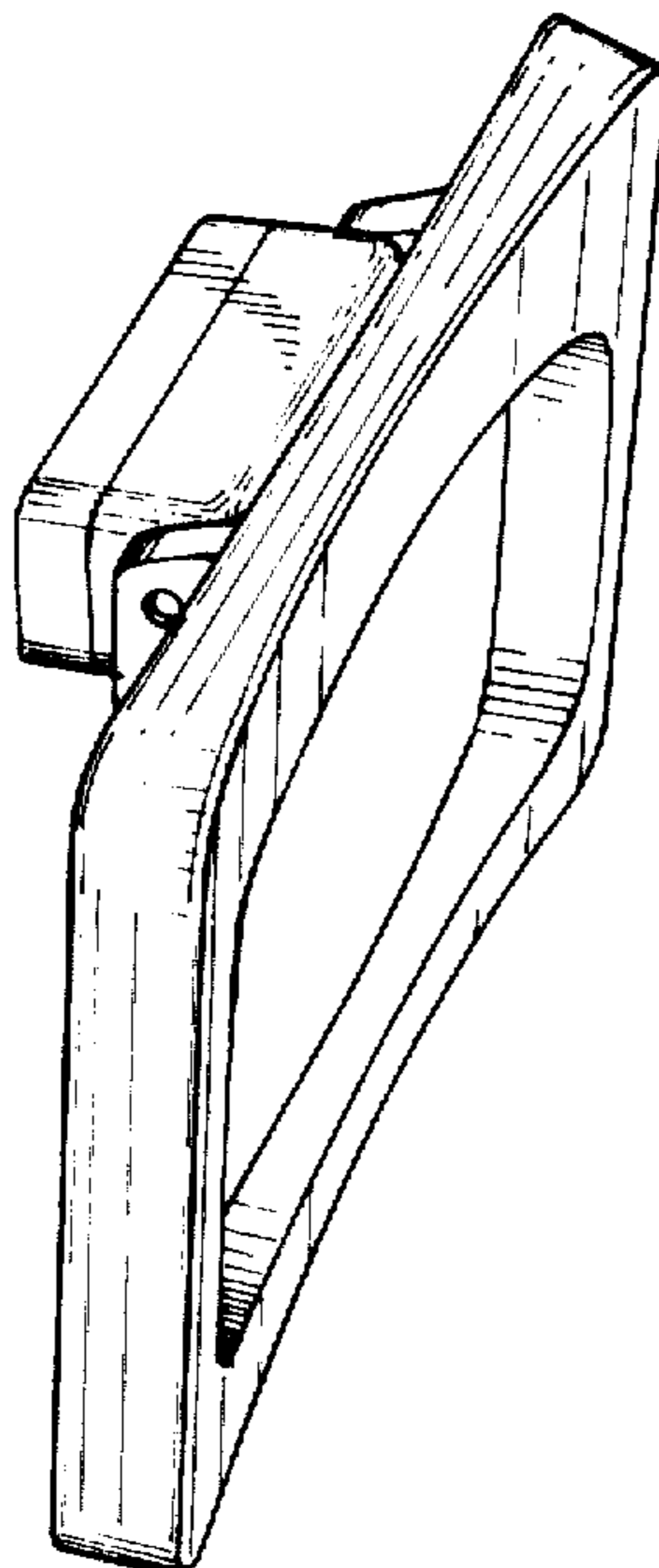
Primary Examiner—B. J. Bullock
Attorney, Agent, or Firm—McDougall, Hersh & Scott

[57] CLAIM

The ornamental design for a towel ring, as shown.

DESCRIPTION

FIG. 1 is a perspective view of a towel ring showing my new design;
FIG. 2 is a top plan view thereof;
FIG. 3 is a bottom plan view thereof;
FIG. 4 is a front elevational view thereof;
FIG. 5 is a rear elevational view thereof;
FIG. 6 is a side elevational view taken from the right of FIG. 1, the side opposite being a mirror image thereof; and
FIG. 7 is a sectional view taken in the direction of the arrows on line VII—VII of FIG. 4.



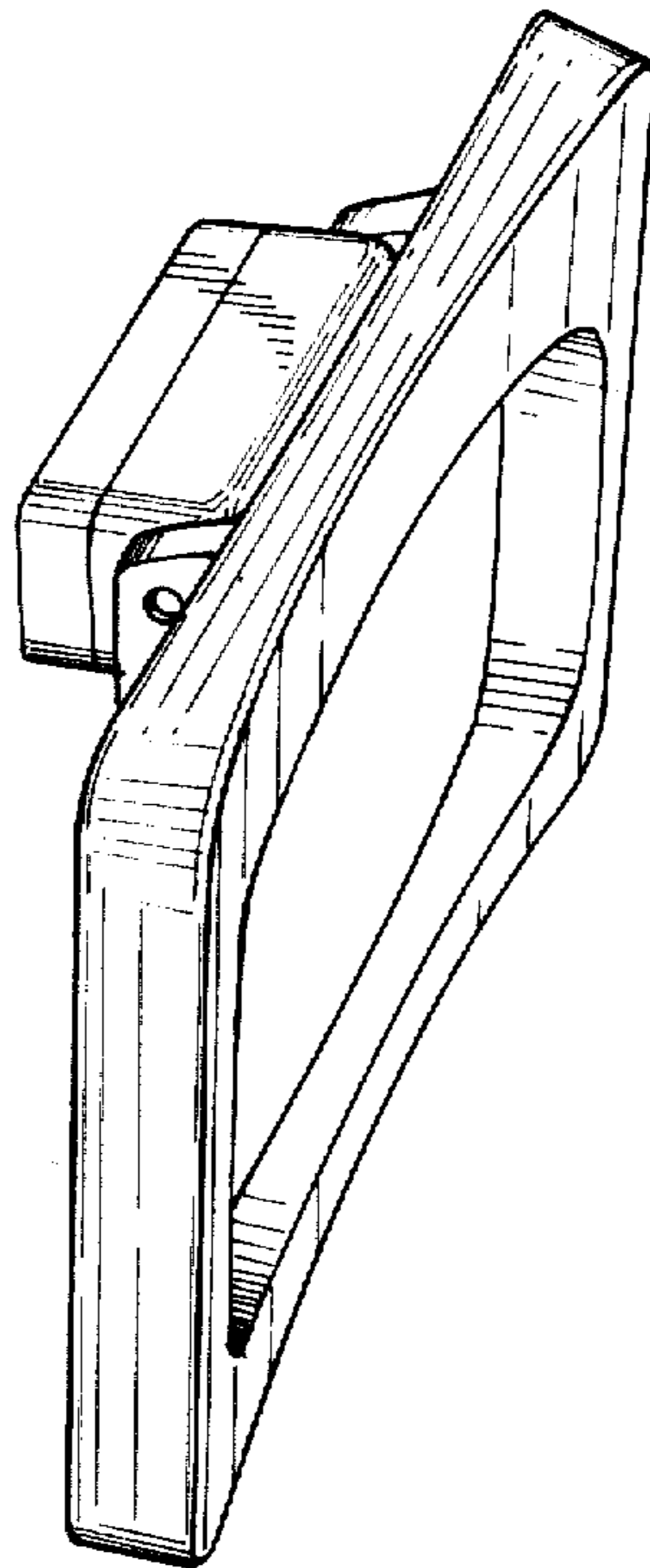


FIG. 1

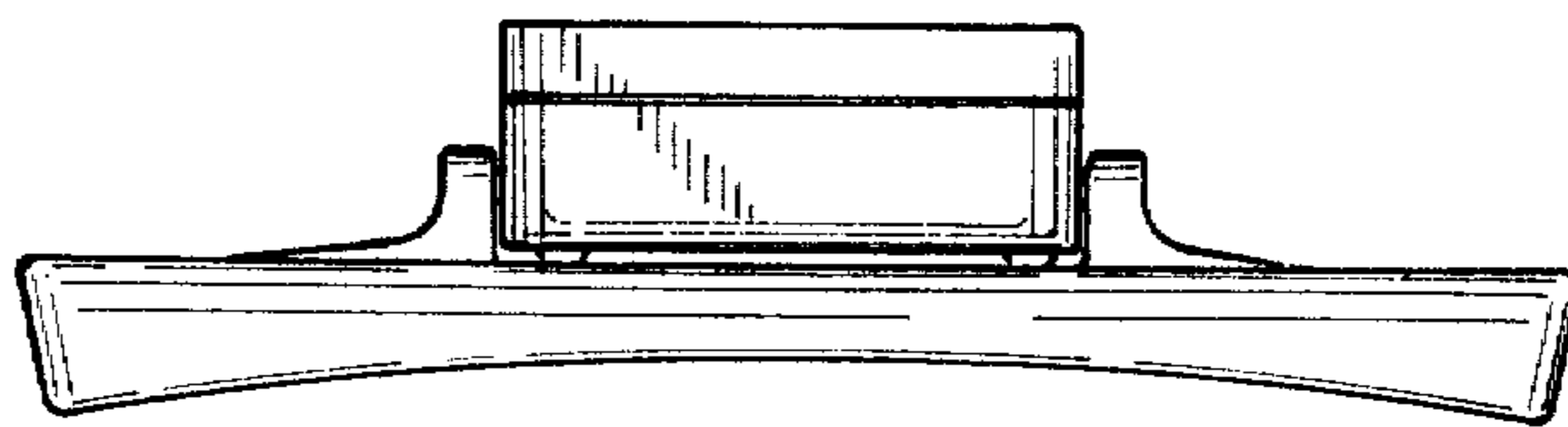


FIG. 2

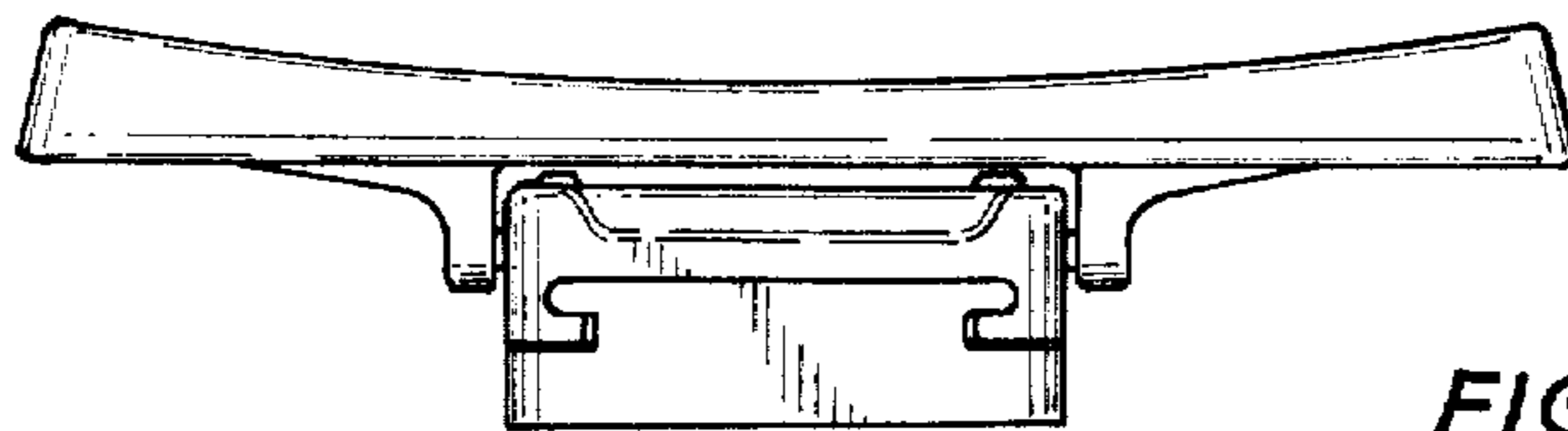


FIG. 3

