

[54] TOILET PAPER ROLL HOLDER

[75] Inventor: **Bruce R. Thompson**, Tranmere, Australia

[73] Assignee: **UPL Group Limited**, Brisbane, Australia

[**] Term: **14 Years**

[21] Appl. No.: **121,214**

[22] Filed: **Feb. 13, 1980**

4,179,078 12/1979 Mansfield 242/55.53

FOREIGN PATENT DOCUMENTS

454894 10/1936 United Kingdom 242/55.53

Primary Examiner—B. J. Bullock
Attorney, Agent, or Firm—McDougall, Hersh & Scott

[57] CLAIM

The ornamental design for a toilet paper roll holder, as shown.

DESCRIPTION

FIG. 1 is a perspective view of a toilet paper roll holder showing my new design;

FIG. 2 is a top plan view thereof;

FIG. 3 is a front elevational view thereof;

FIG. 4 is a bottom plan view thereof;

FIG. 5 is a rear elevational view thereof.

FIG. 6 is a side elevational view taken from the left of FIG. 1, the side opposite being a mirror image thereof; and

FIG. 7 is a sectional view taken in the direction of the arrows on line VII—VII of FIG. 2.

[51] Int. Cl. D23—02

[52] U.S. Cl. D6/97; D6/86

[58] Field of Search D6/86-104;
211/16; 242/55.2, 55.53; 55.54, 55.55; 312/37,
38

[56] References Cited

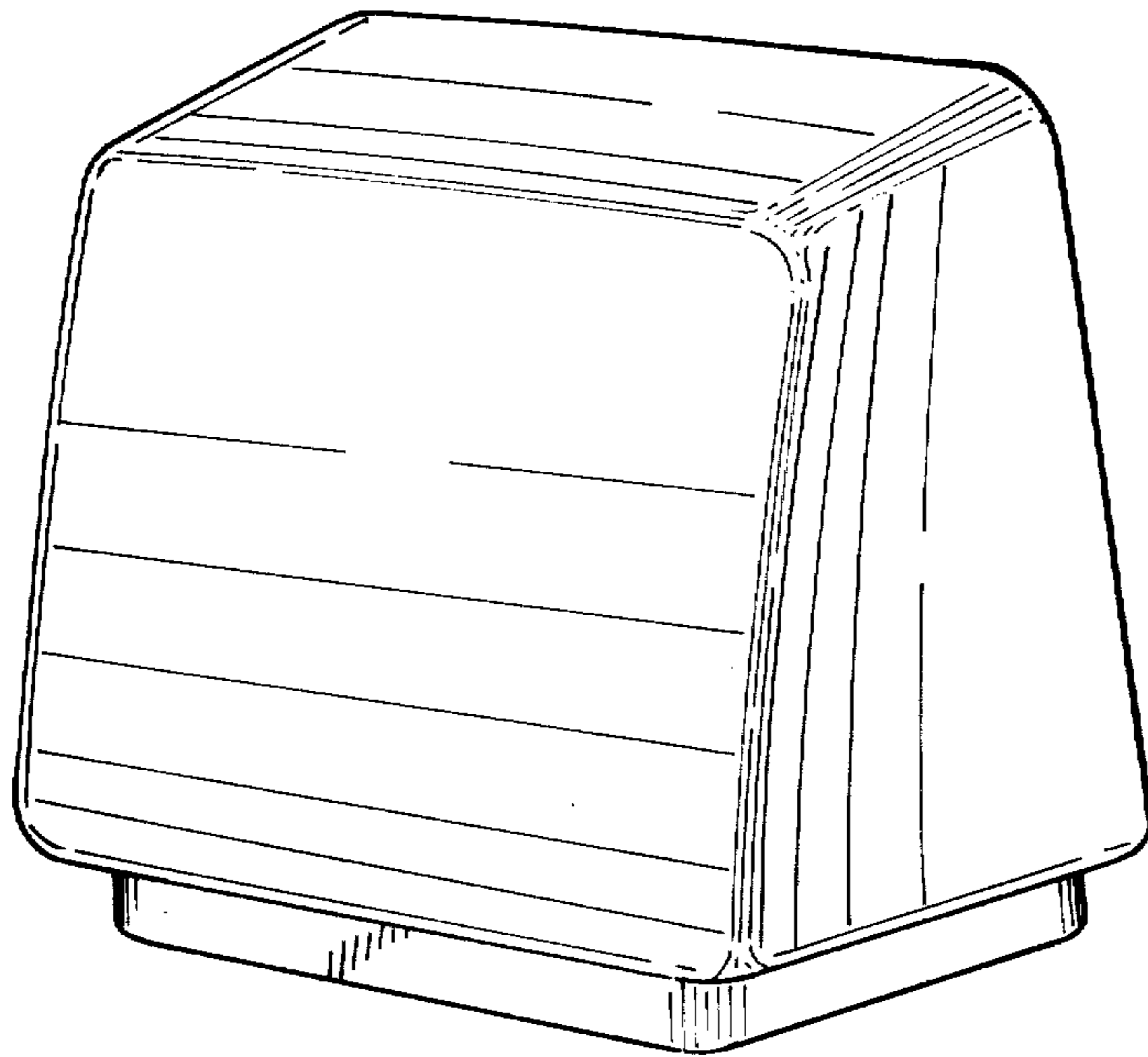
U.S. PATENT DOCUMENTS

D. 198,434 6/1964 Miller D6/114

D. 208,143 7/1967 Briles D6/97

D. 212,101 8/1968 Watson D6/97

D. 248,001 5/1978 Santaella D6/97



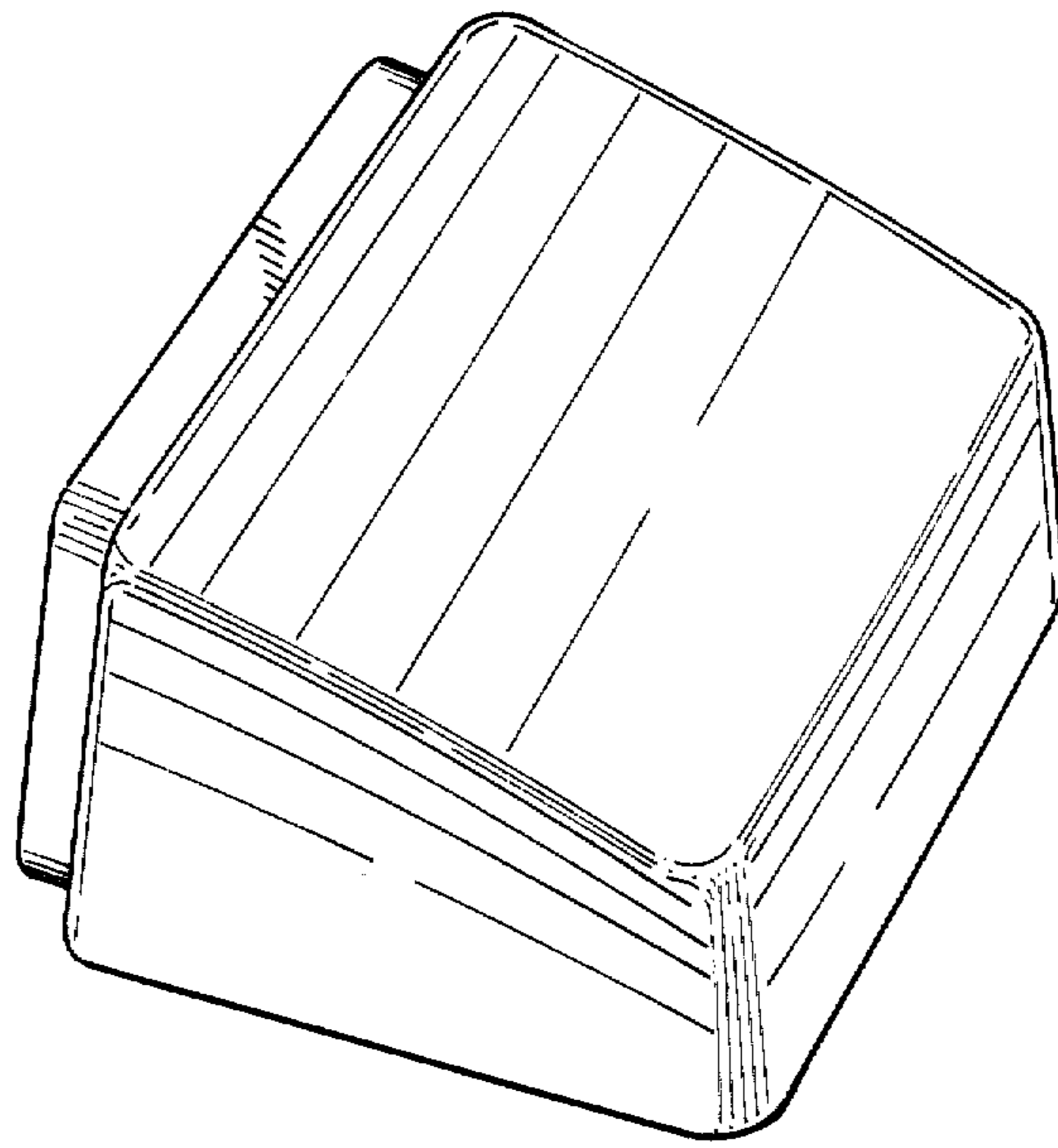


FIG. 1

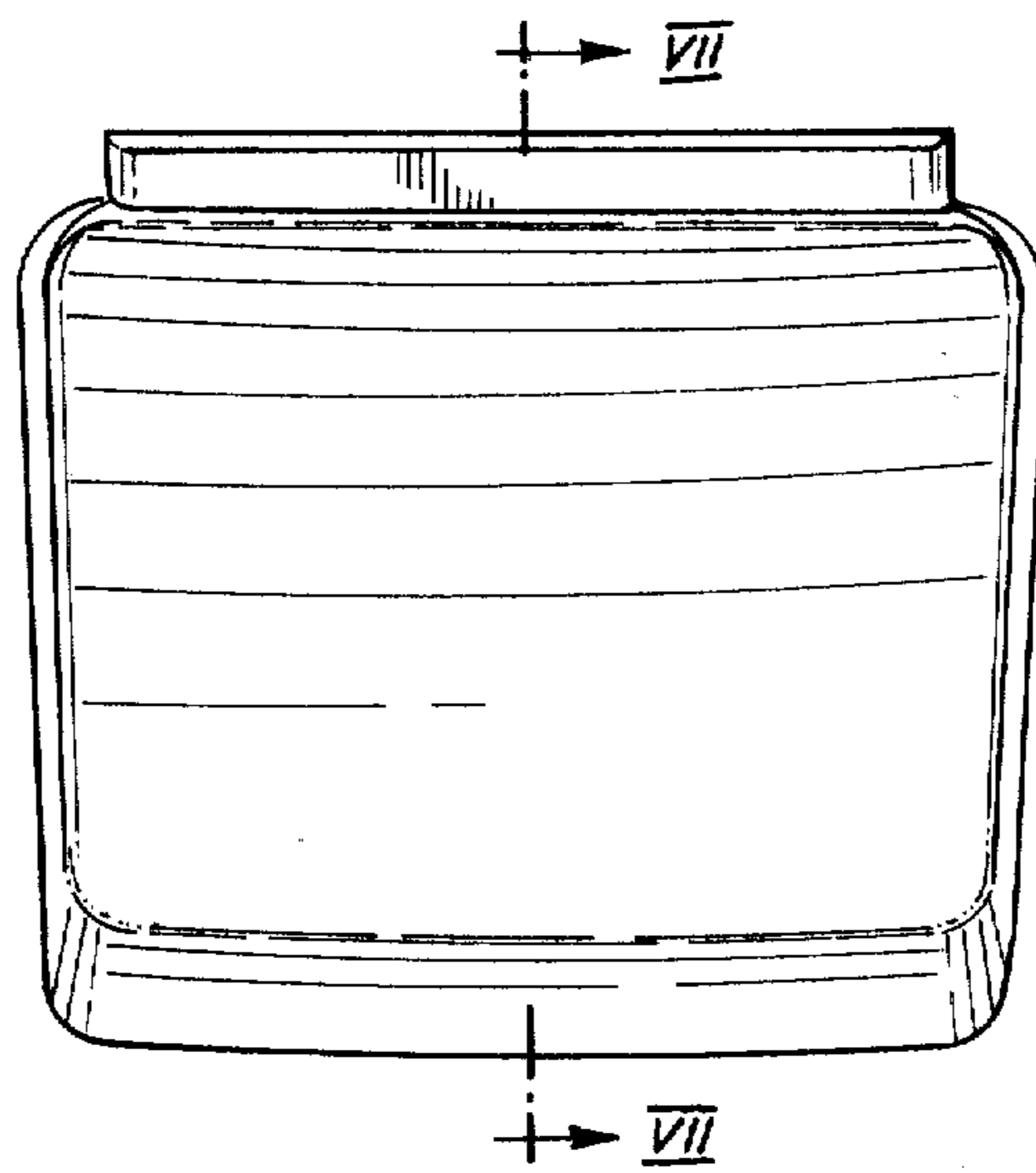


FIG. 2



FIG. 3

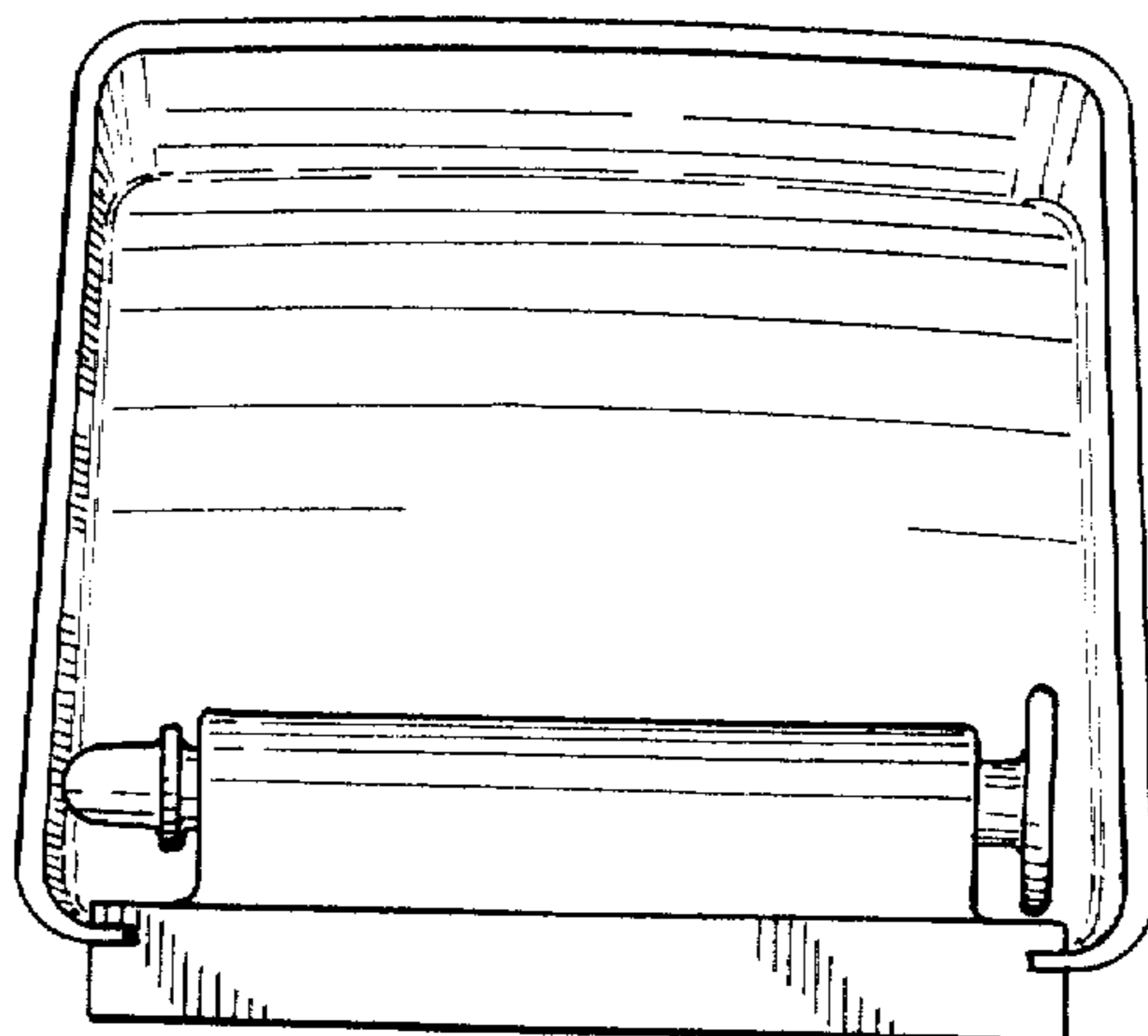


FIG. 4

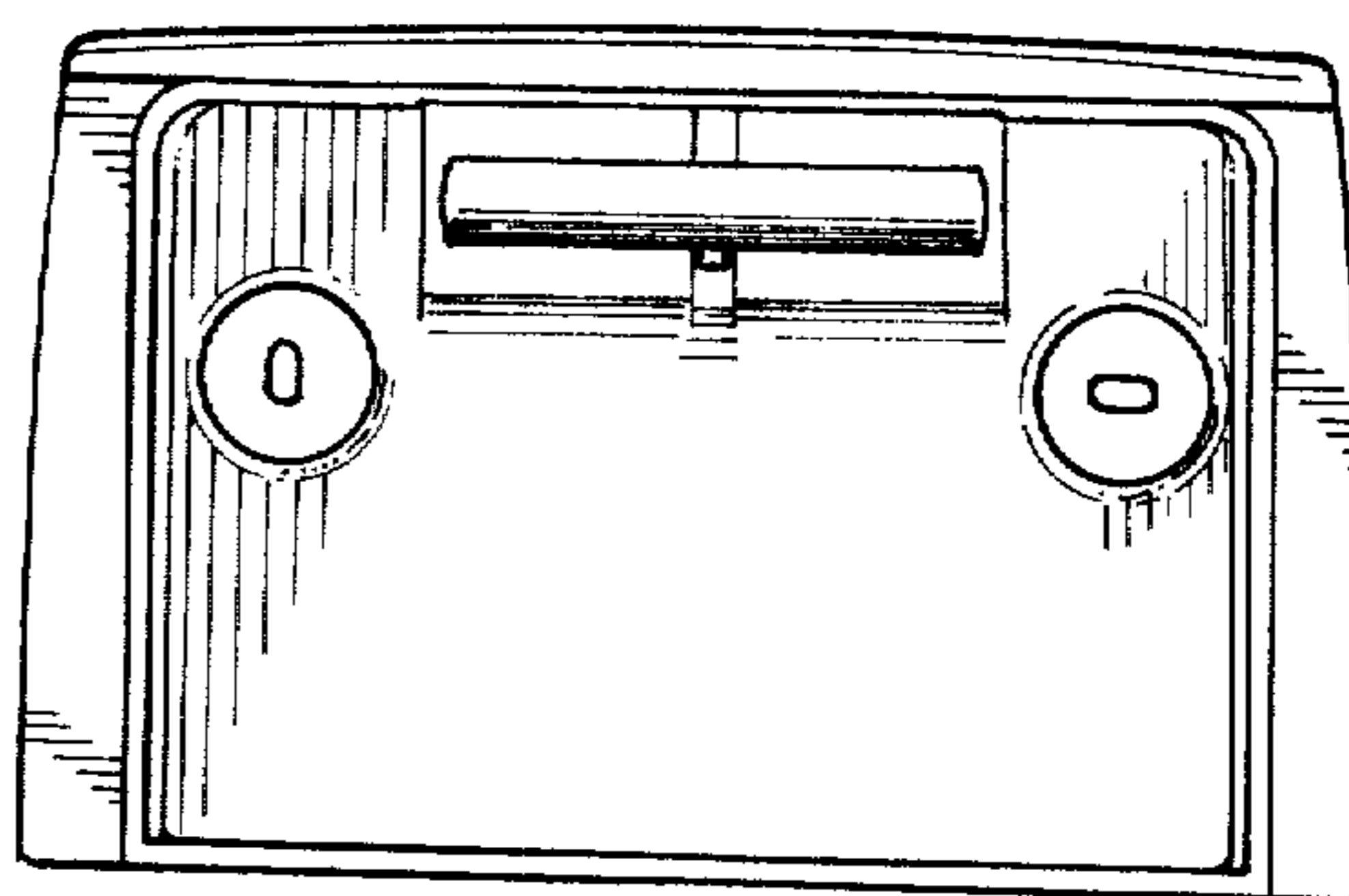


FIG. 5

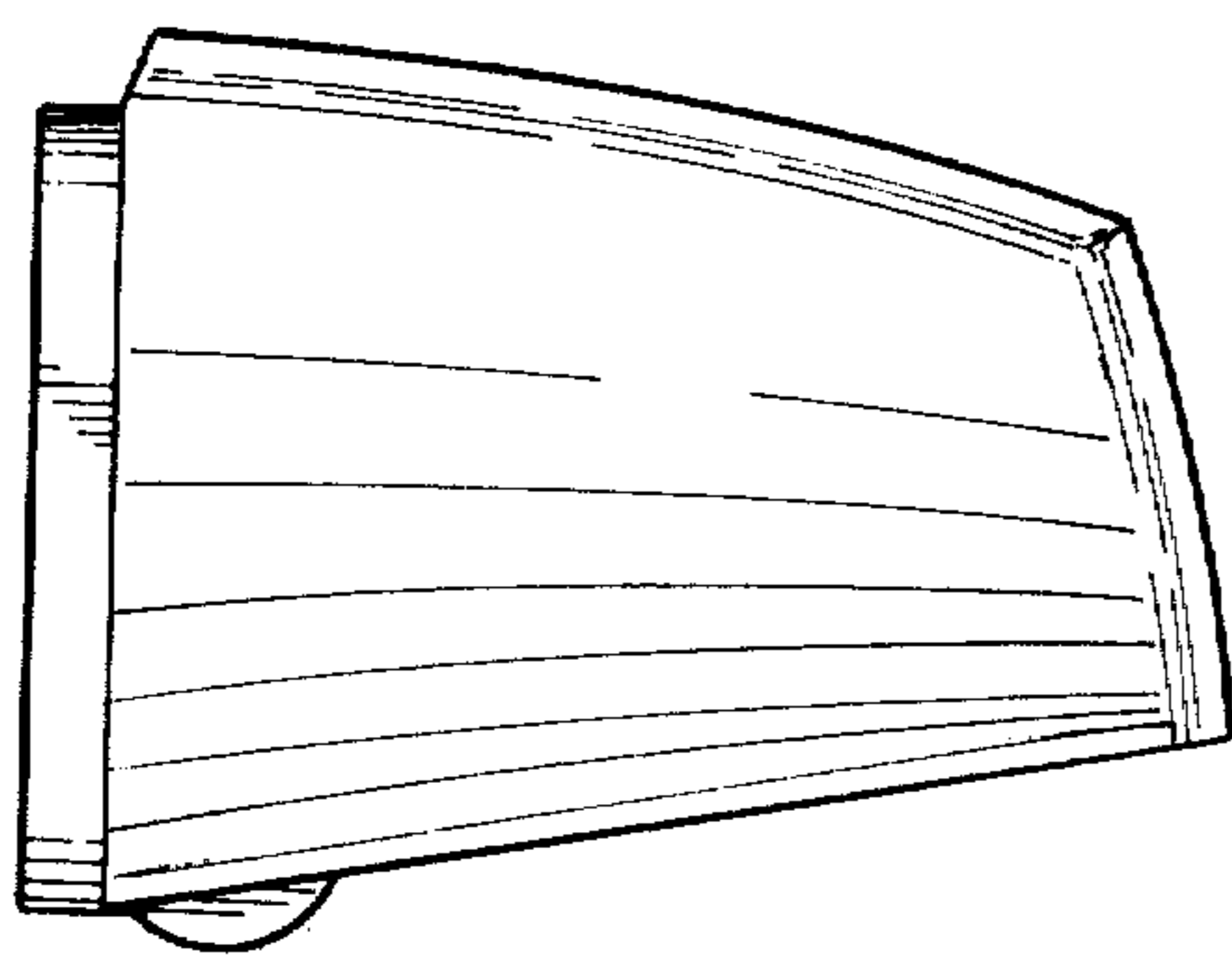


FIG. 6

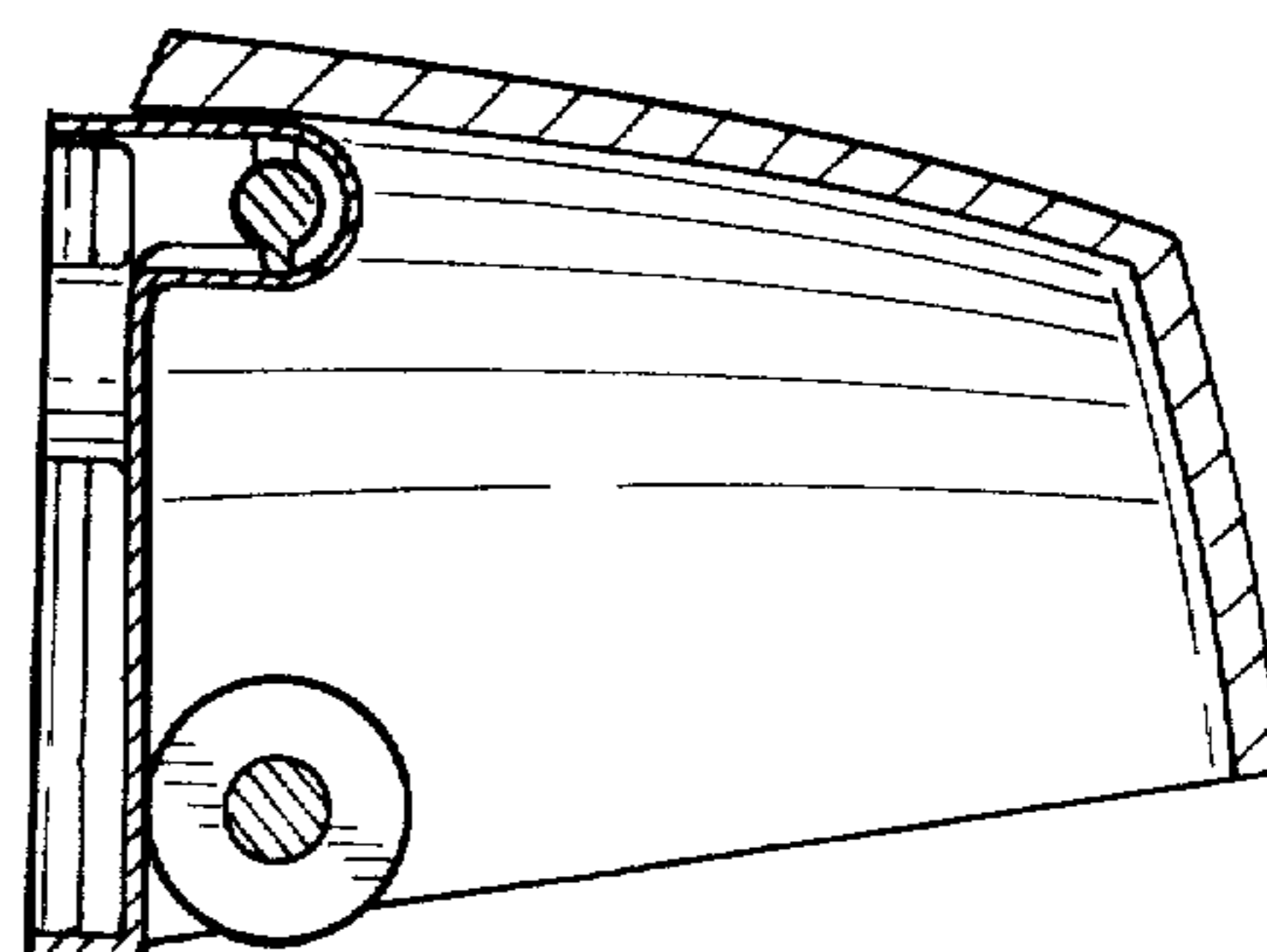


FIG. 7