

[54] COMBINED PRAYER BENCH AND CABINET

[75] Inventors: James E. Van Linden; Betty J. Van Linden, both of Clio, Mich.

[73] Assignee: Daily Prayer Company, Clio, Mich.

[**] Term: 14 Years

[21] Appl. No.: 132,065

[22] Filed: Mar. 20, 1980

[51] Int. Cl. D6-99

[52] U.S. Cl. D6/2; D6/155

[58] Field of Search D6/2, 155, 179, 181, D6/186, 188, 189

[56] References Cited

U.S. PATENT DOCUMENTS

- D. 199,190 9/1964 Berg D6/2
- D. 203,545 1/1966 Nordmark D6/155
- D. 206,230 11/1966 Wareham et al. D6/155

OTHER PUBLICATIONS

Catalog of Church & Church School Supplies, p. 82, 1952-1953.

The Protestant Catalog of Church Equipment and Supplies, 9/58, p. 30.

Primary Examiner—Lester L. Lee

Attorney, Agent, or Firm—Cullen, Sloman, Cantor, Grauer, Scott & Rutherford

[57] CLAIM

The ornamental design for a combined prayer bench and cabinet, as shown and described.

DESCRIPTION

FIG. 1 is a front perspective view of a combined prayer bench and cabinet showing our new design; FIG. 2 is a side elevational view thereof; FIG. 3 is a front elevational view thereof; FIG. 4 is a top plan view thereof; FIG. 5 is a bottom plan view; FIG. 6 is a rear elevational view thereof; FIG. 7 is a front elevational view of a second version of our new design, all other views of such design being substantially identical to the corresponding supplementary views of FIGS. 2-6 except with respect to the location of the access to the shelves; FIG. 8 is a front perspective view of a third version of our new design as it appears with the upper cushioned lid raised for access to a top-opening shelf, all other views of such design being substantially identical to the corresponding supplementary views of FIGS. 2-6 except with respect to the location of the access to the shelves; FIG. 9 is a rear perspective view of a fourth version of our new design, all other views of such design being substantially identical to the corresponding supplementary views of FIGS. 2-6 except with respect to the location of the access to the shelves.

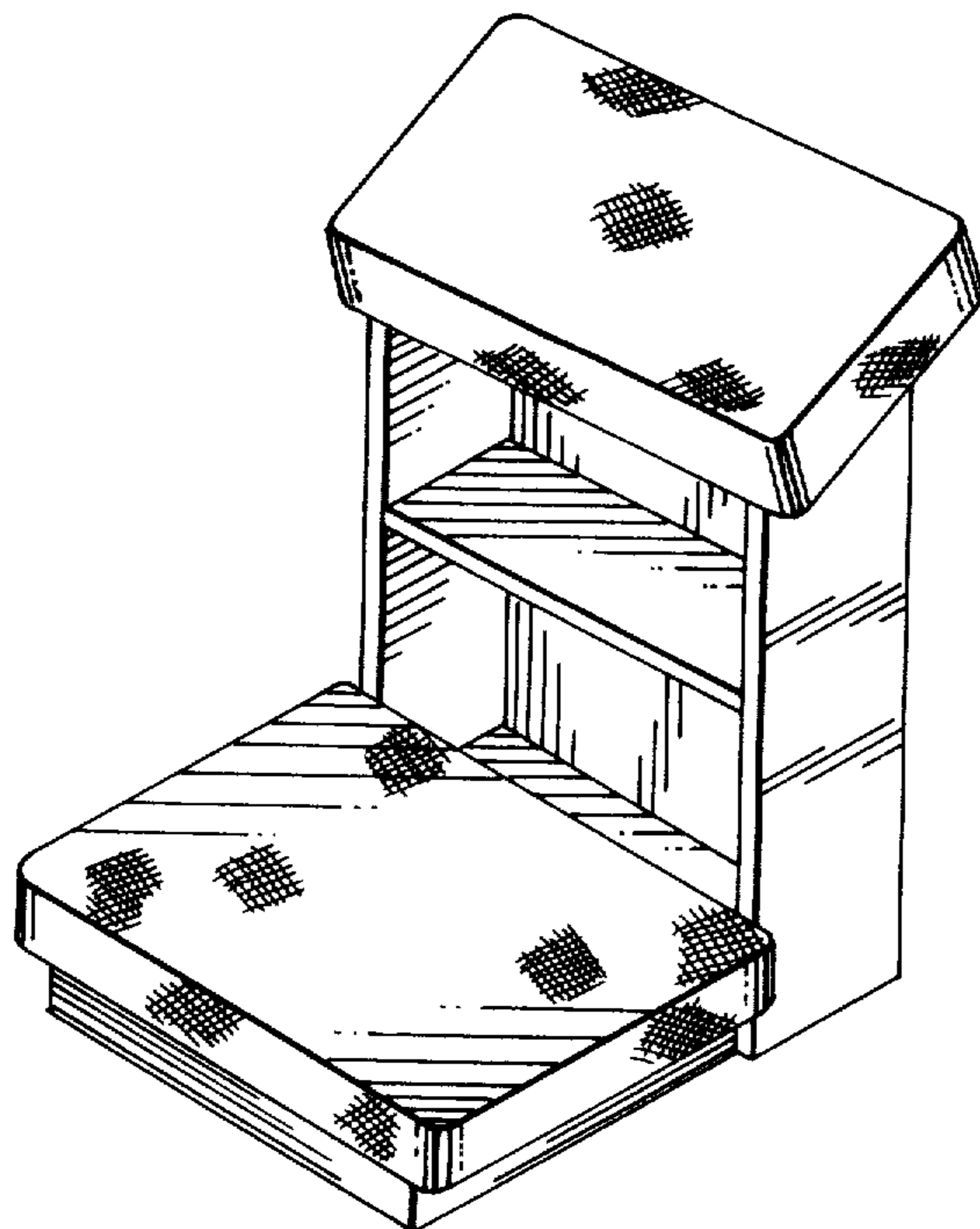


FIG. 1

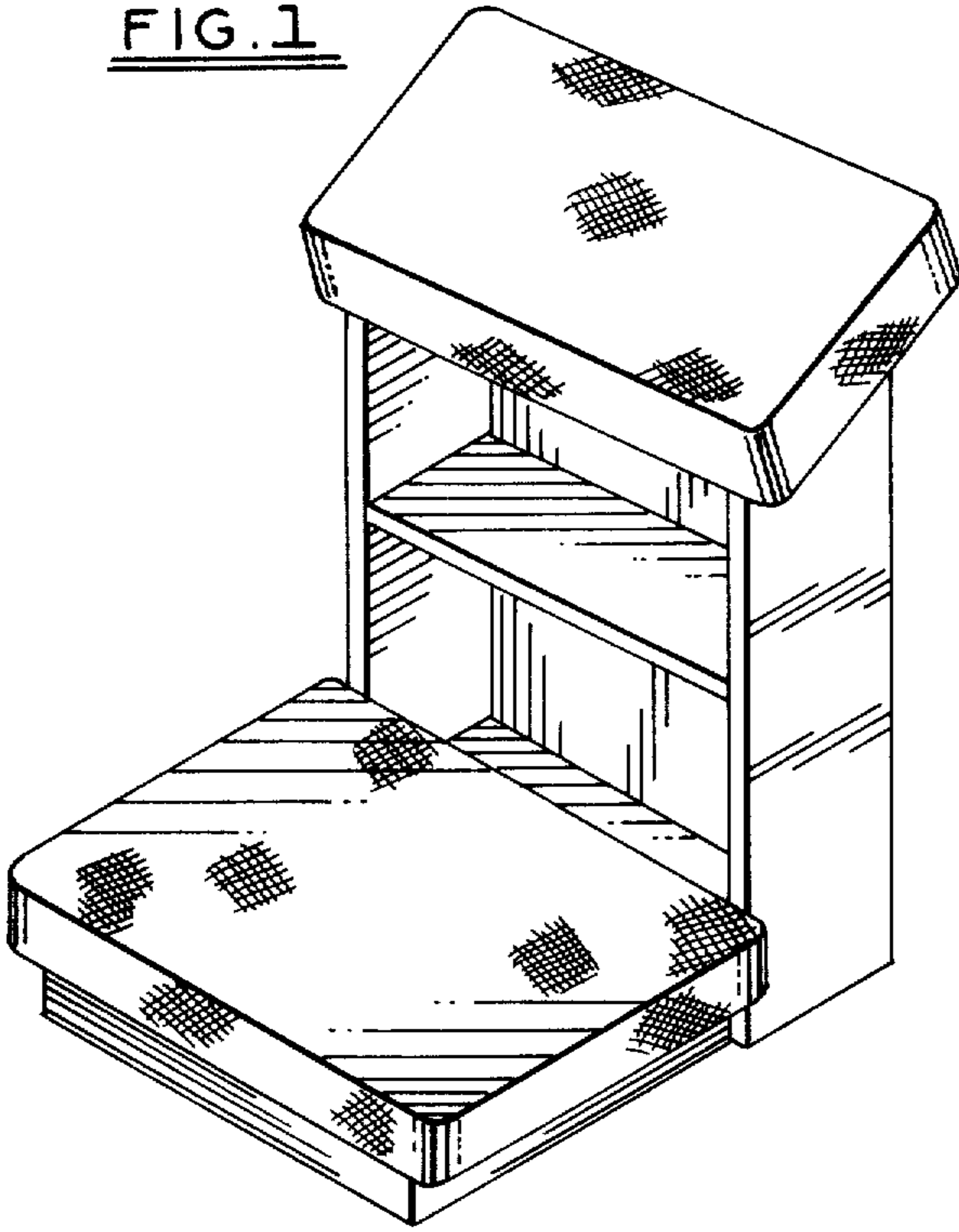


FIG. 2

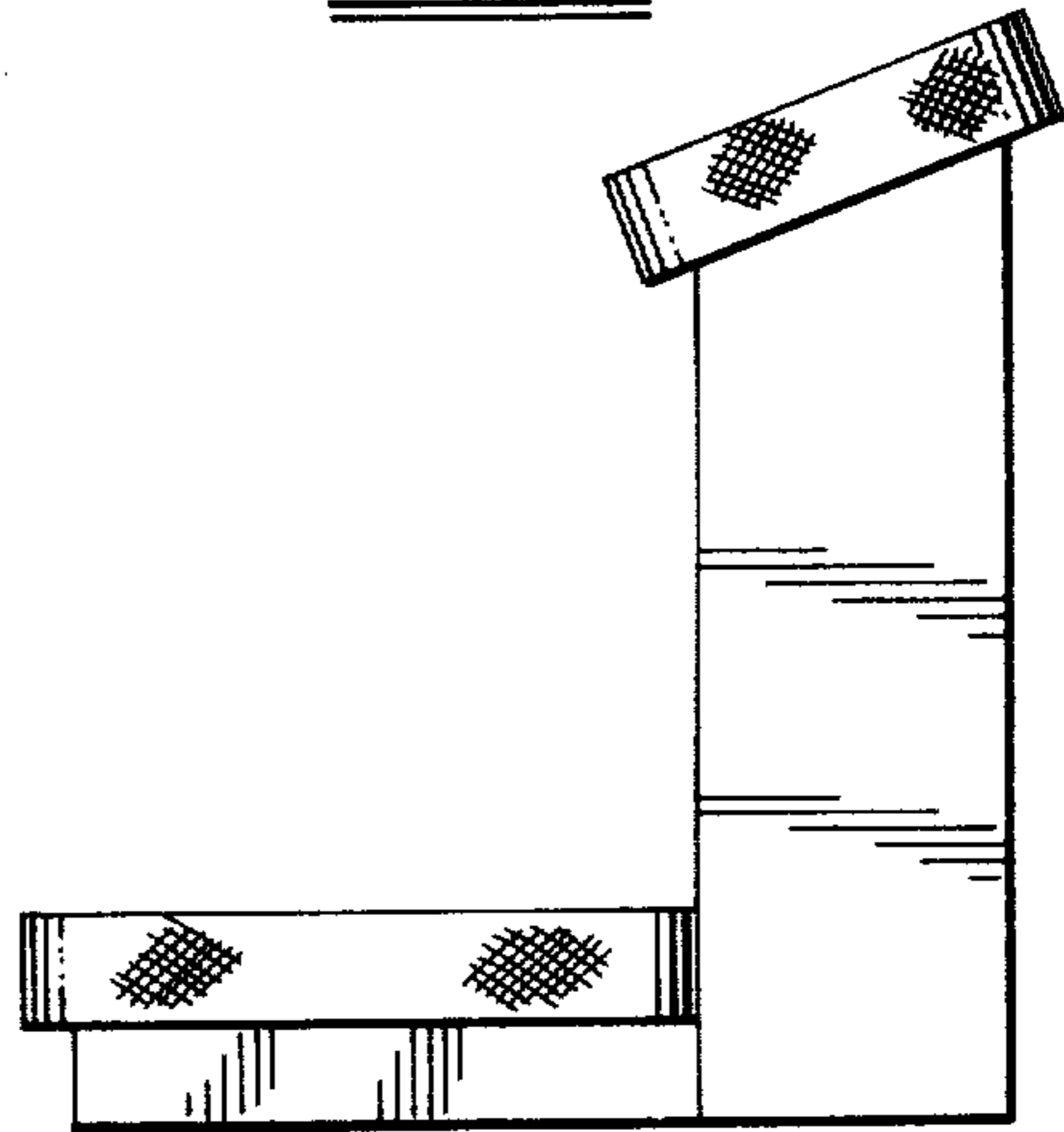


FIG. 4

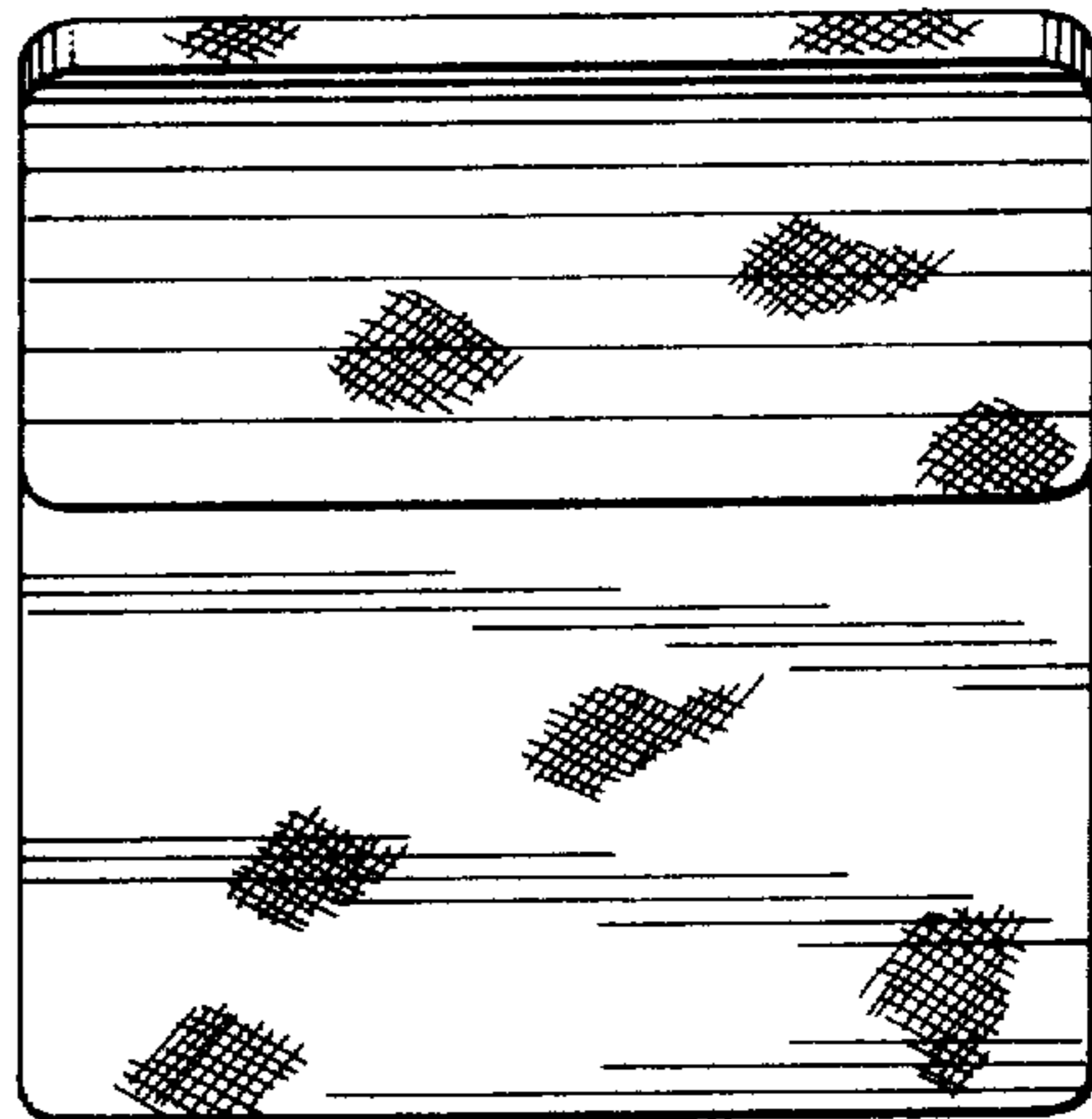


FIG. 5

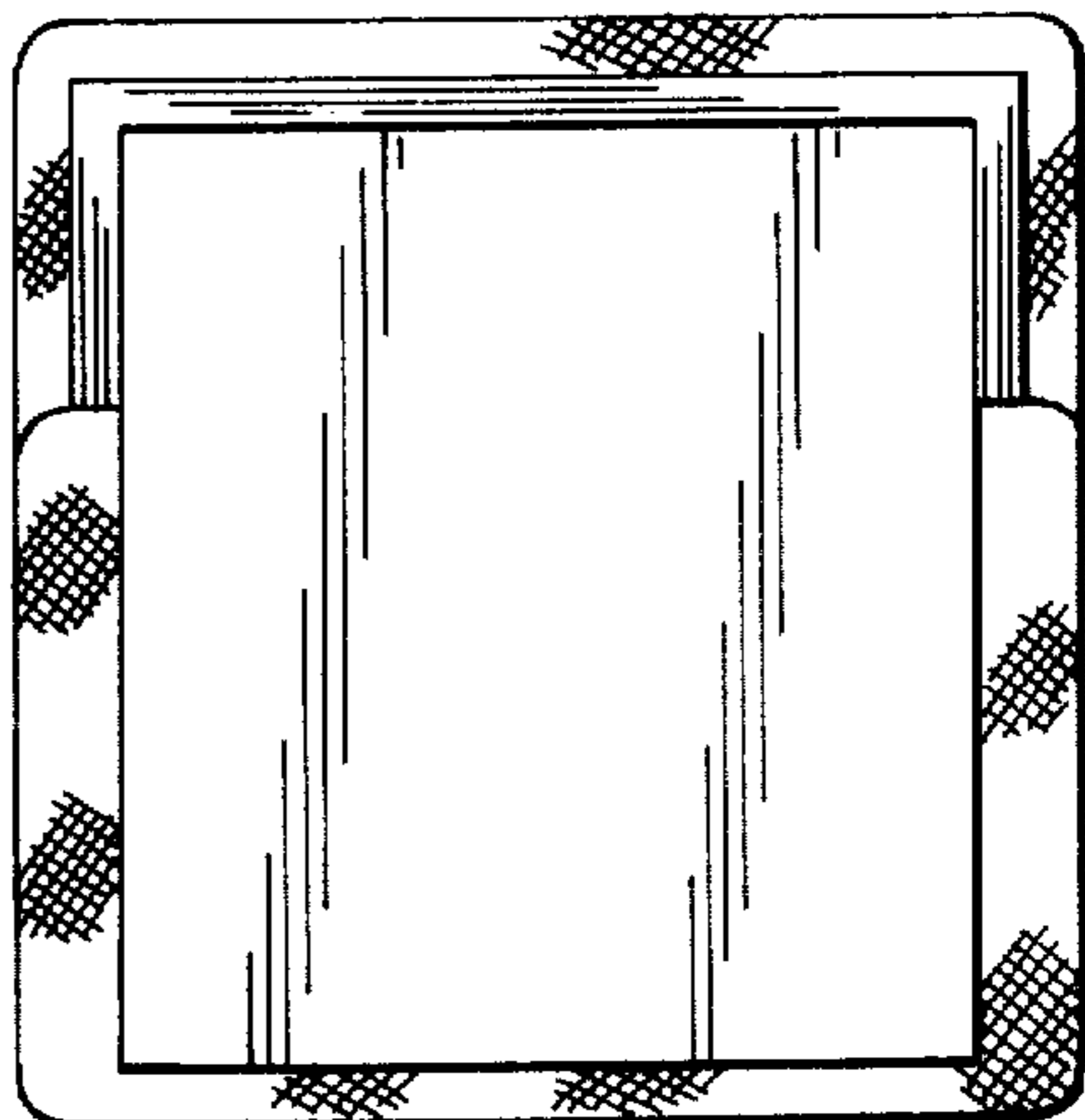


FIG. 3

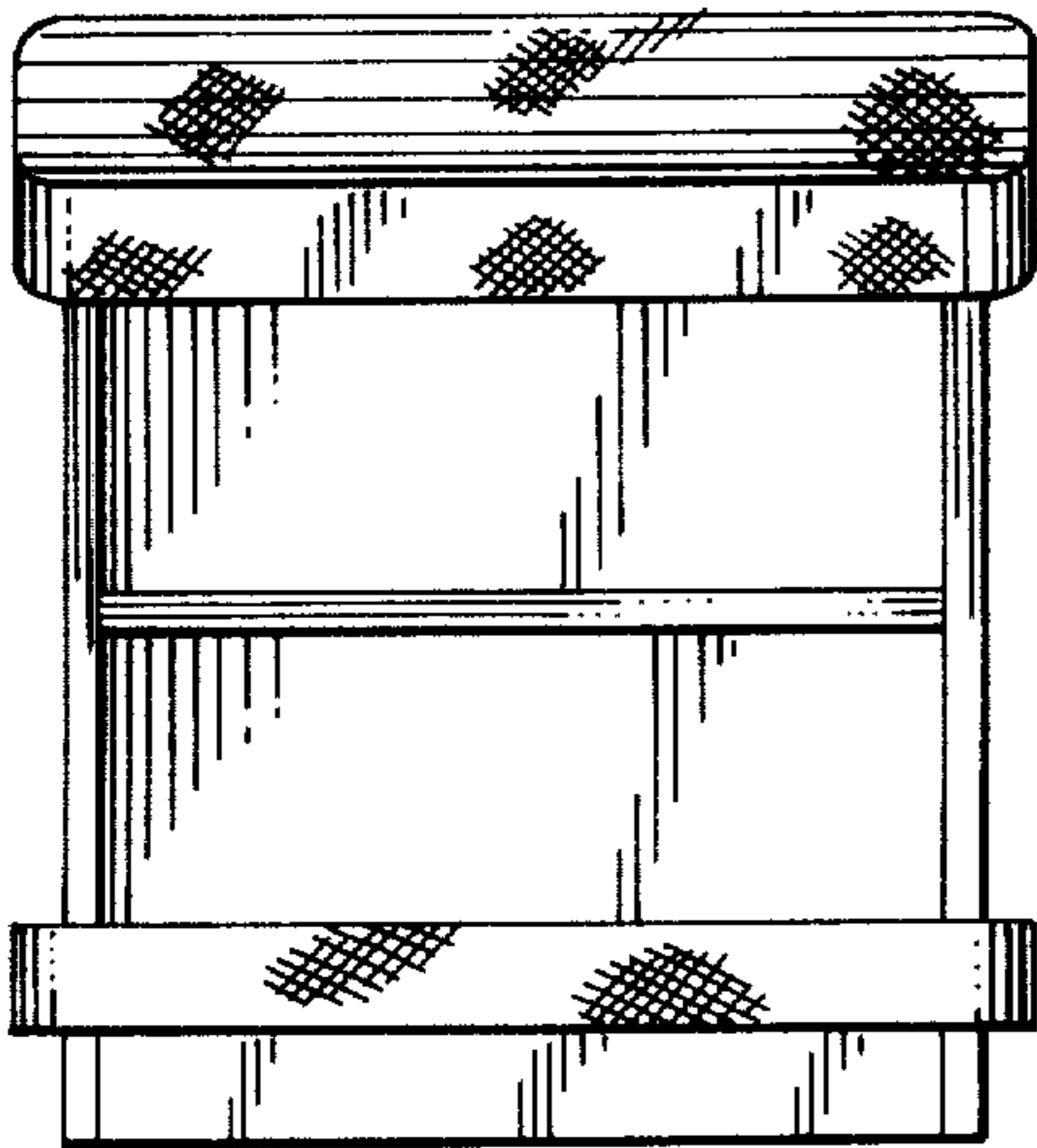


FIG. 7

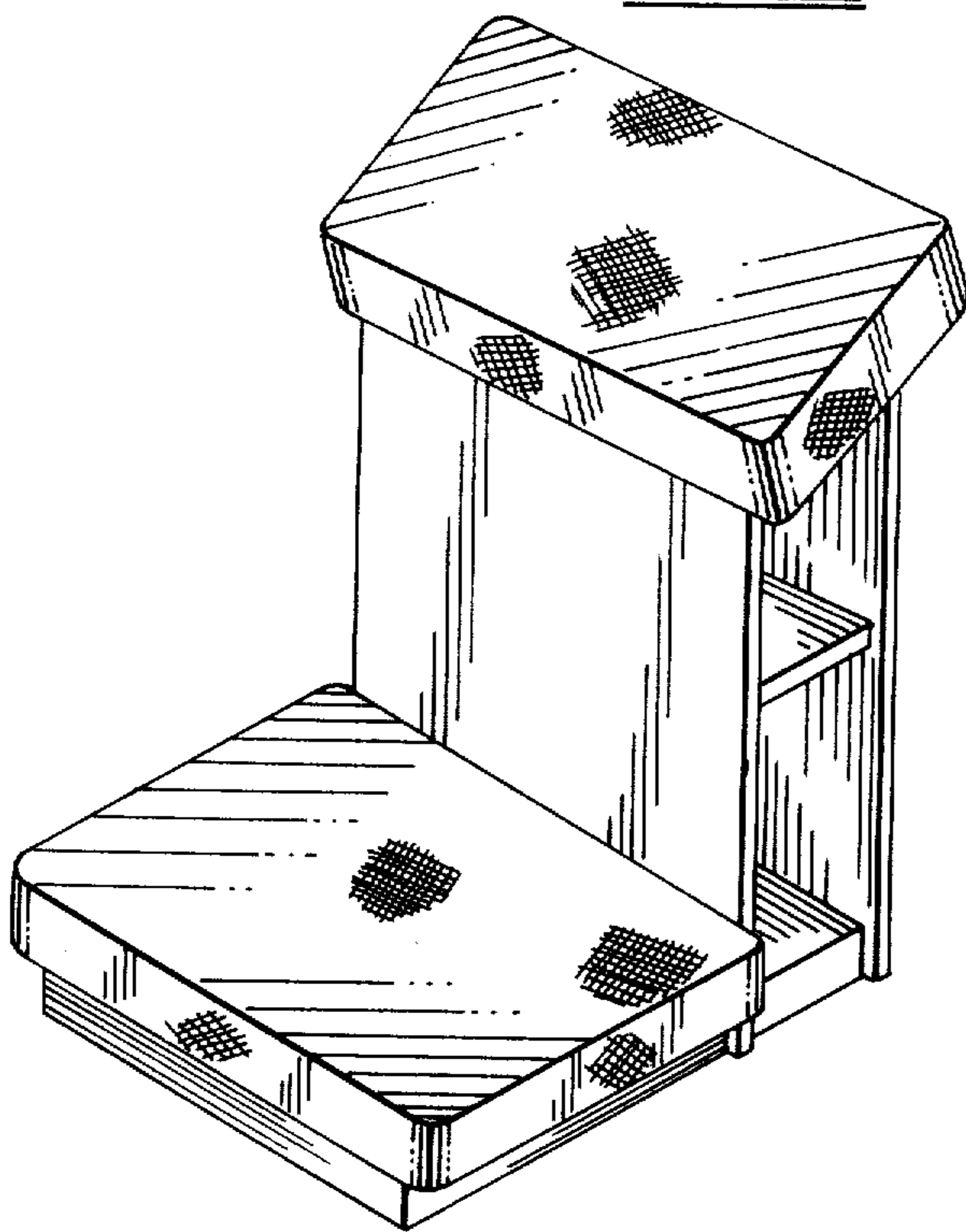


FIG. 8

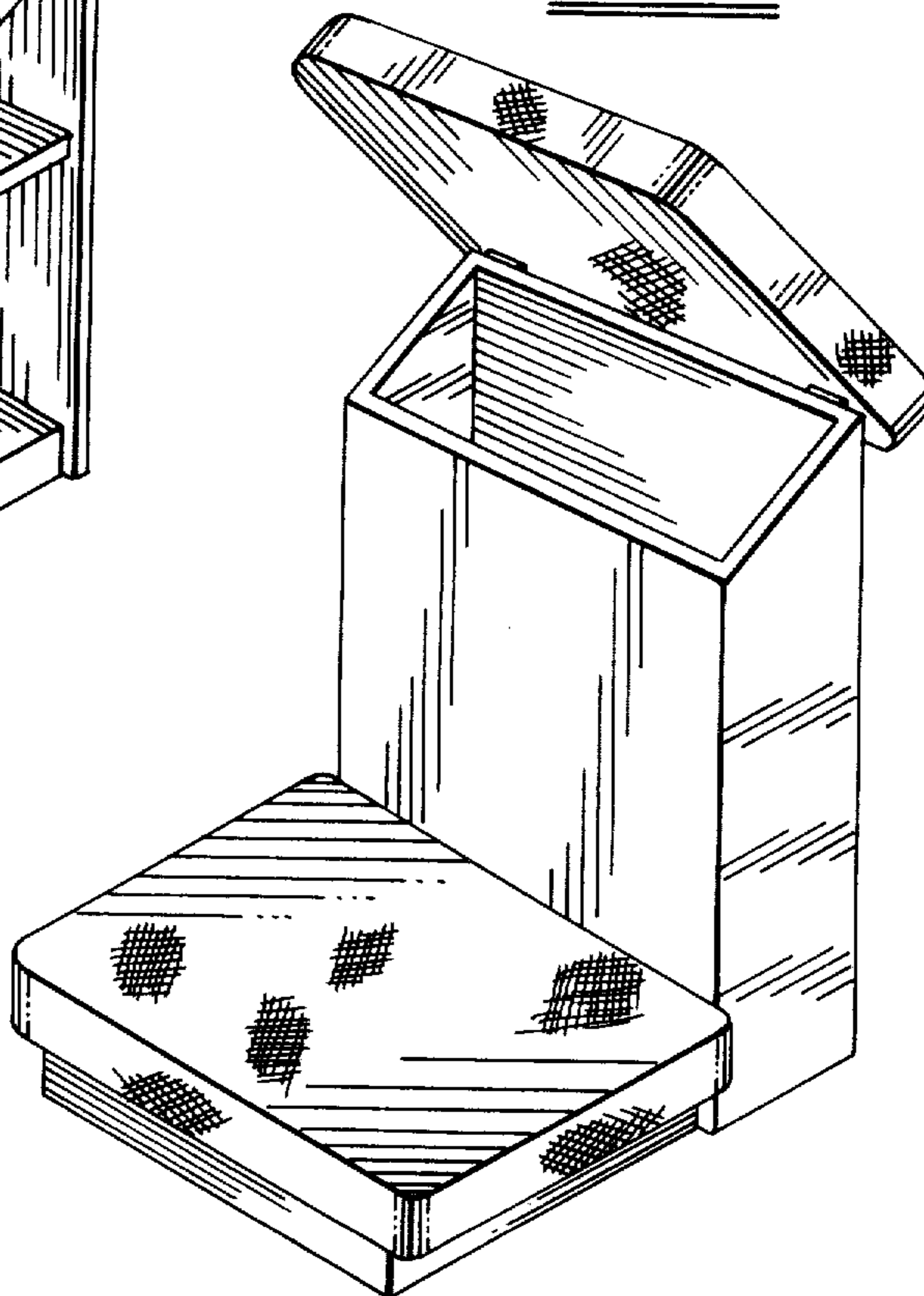


FIG. 9

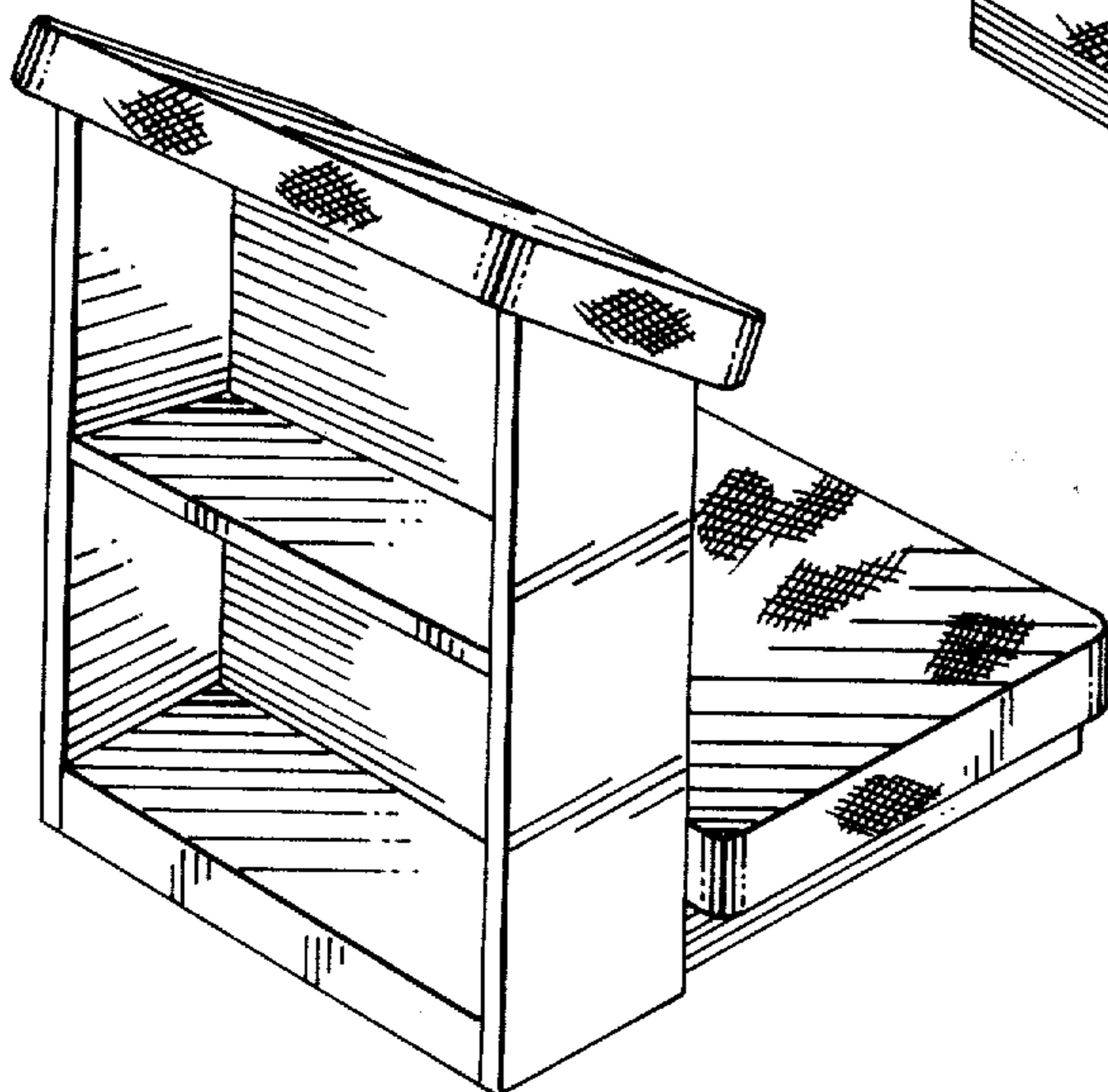


FIG. 6

