

[54] FRONT DUMP REFUSE COMPACTOR

[75] Inventors: Darryl G. Bettencourt, Lodi; Charles F. Dietz, Rio Vista, both of Calif.

[73] Assignee: Blackwelders, Rio Vista, Calif.

[**] Term: 14 Years

[21] Appl. No.: 107,071

[22] Filed: Dec. 26, 1979

[51] Int. Cl. D15-09

[52] U.S. Cl. D34/3

[58] Field of Search D99/99; D7/189, 191; D12/15, 93; D15/123; 100/229 A, 229 R

[56] References Cited

U.S. PATENT DOCUMENTS

- D. 226,224 1/1973 Schmidt D7/189
- D. 258,442 3/1981 Schmidt D12/15

Primary Examiner—Lester L. Lee
Attorney, Agent, or Firm—Roger B. Webster

[57] CLAIM

The ornamental design for front dump refuse compactor, as shown.

DESCRIPTION

FIG. 1 is a top plan view of the front dump refuse compactor showing our new design;
 FIG. 2 is a side elevational view thereof;
 FIG. 3 is a side elevational view thereof opposite to that shown in FIG. 2;
 FIG. 4 is a front end elevational view thereof;
 FIG. 5 is a rear end elevational view thereof, and
 FIG. 6 is an enlarged front perspective view thereof, with the packer unit in open condition.

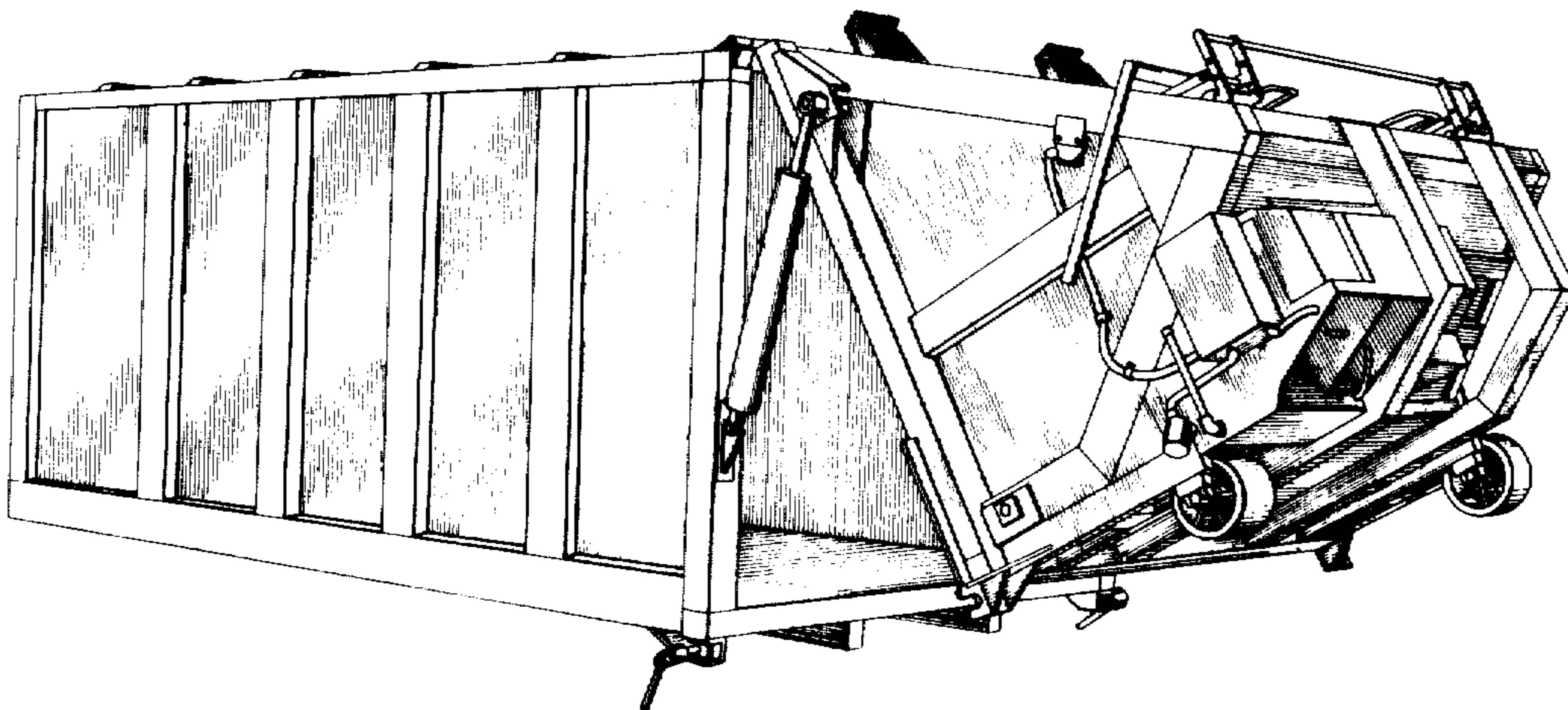


FIG-1

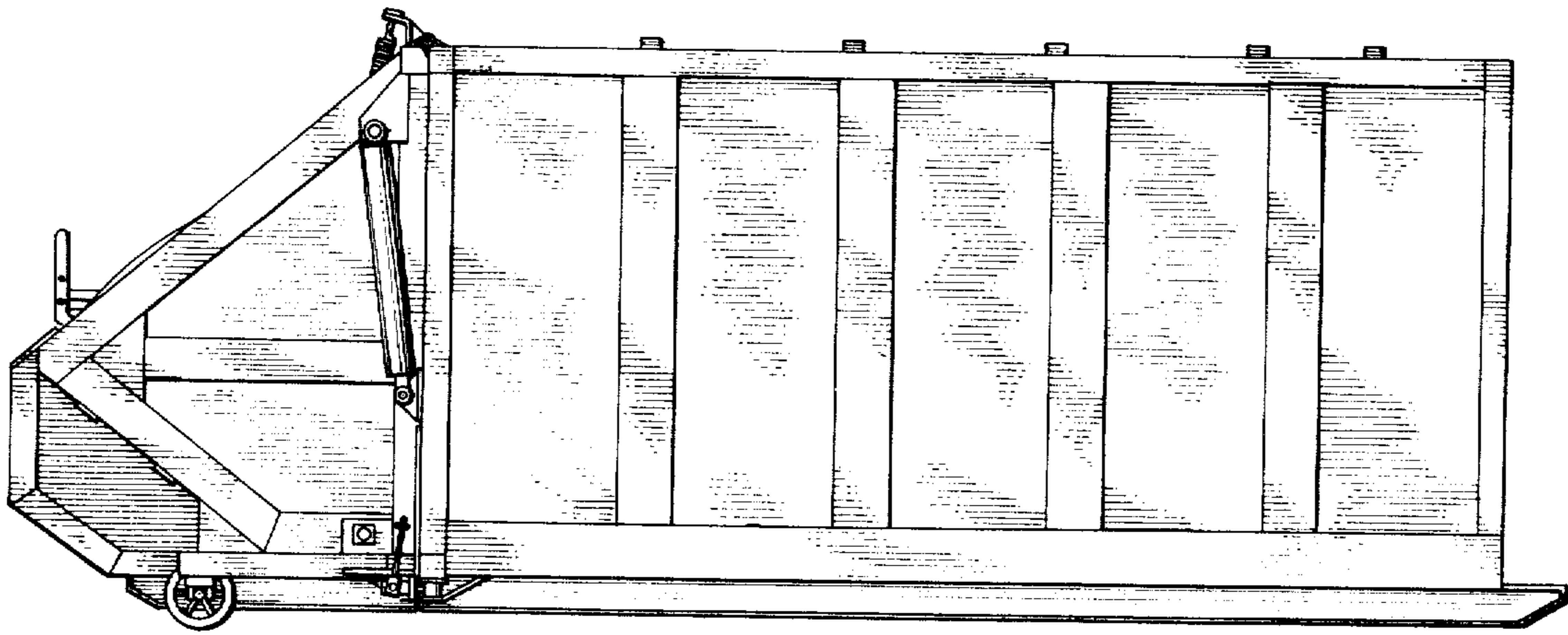
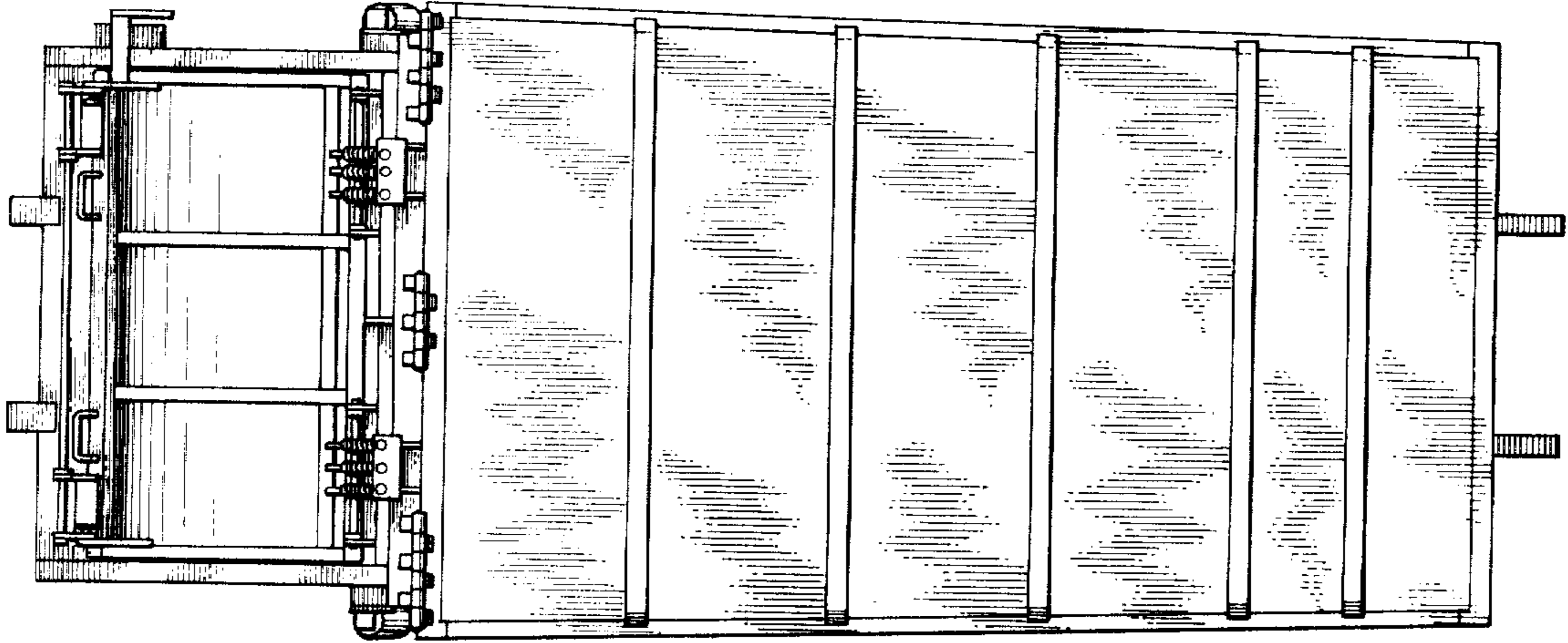


FIG-2

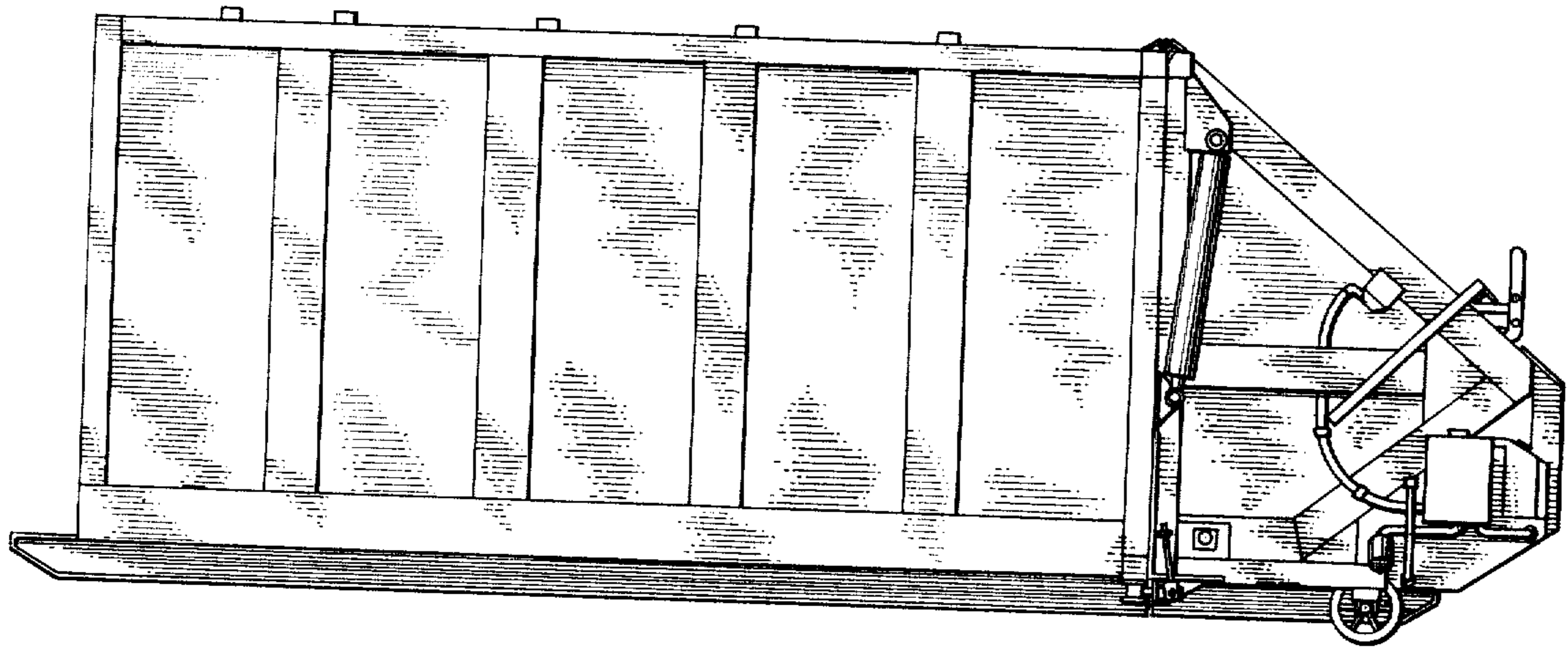


FIG-3

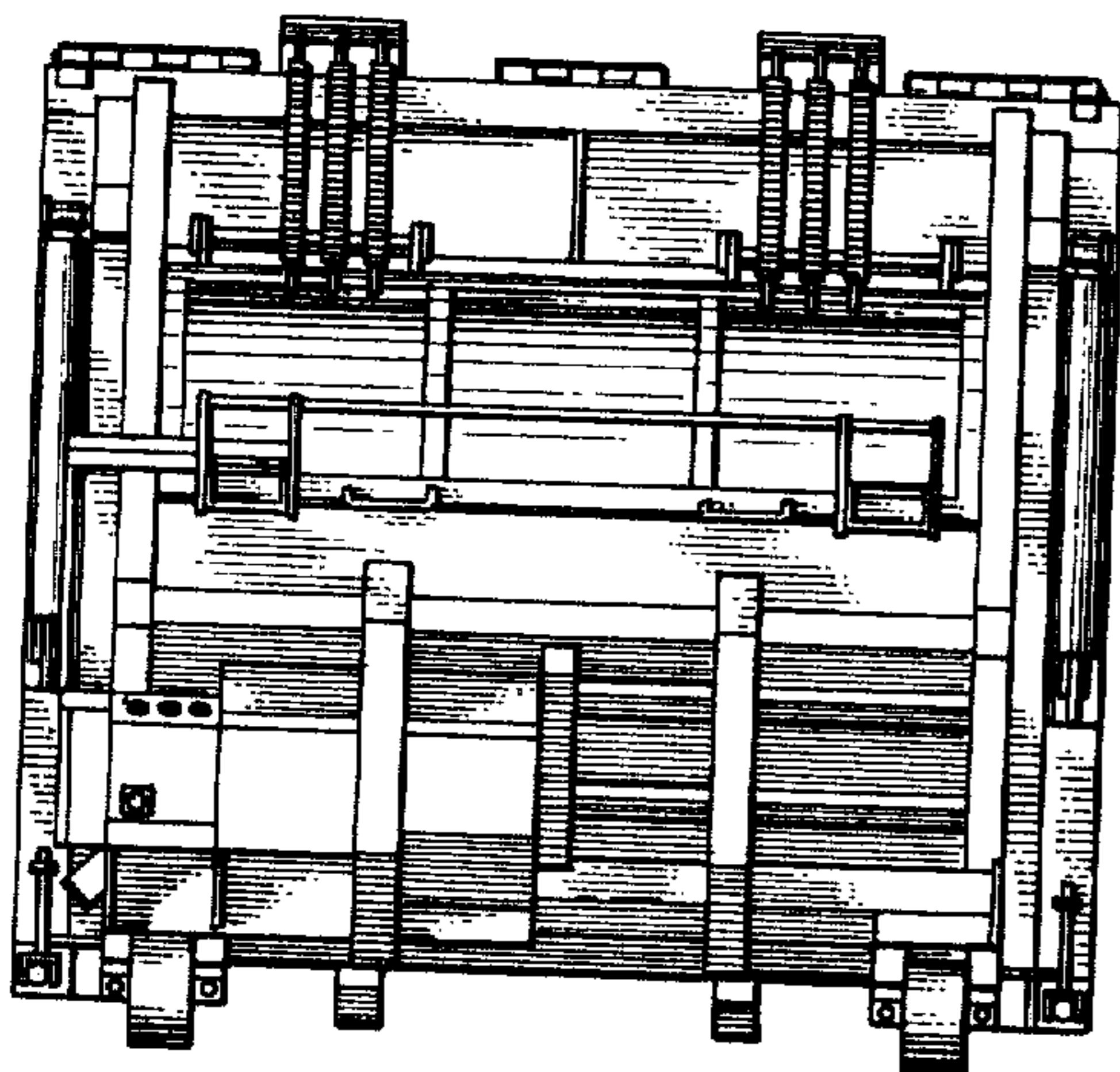


FIG-4

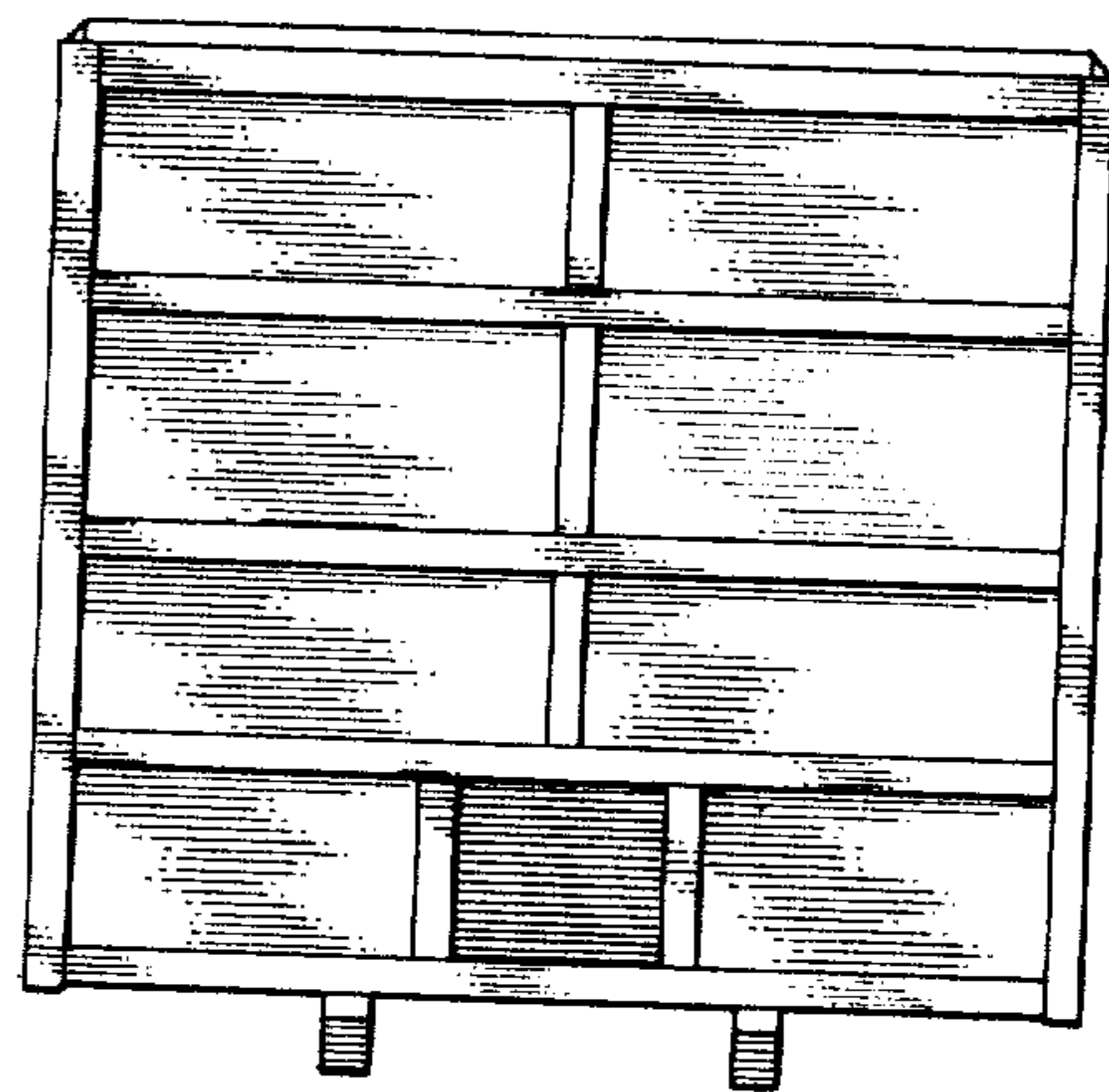


FIG-5

FIG. 6

