

[54] PORTABLE DRAINAGE DEVICE

[76] Inventors: Leonard D. Kurtz, Woodmere; Robert E. Bidwell, Melville, both of N.Y.

[**] Term: 14 Years

[21] Appl. No.: 74,756

[22] Filed: Sep. 12, 1979

[51] Int. Cl. D24-04

[52] U.S. Cl. D24/51; 128/278

[58] Field of Search D24/51; 128/278

[56] References Cited

U.S. PATENT DOCUMENTS

- 3,572,340 1/1968 Lloyd et al. 128/278
- 3,675,653 7/1972 Crowley et al. 128/278

- 3,841,331 10/1974 Wilder 128/278
- 4,073,294 2/1978 Stanley et al. 128/278
- 4,112,949 9/1978 Rosenthal et al. 128/278

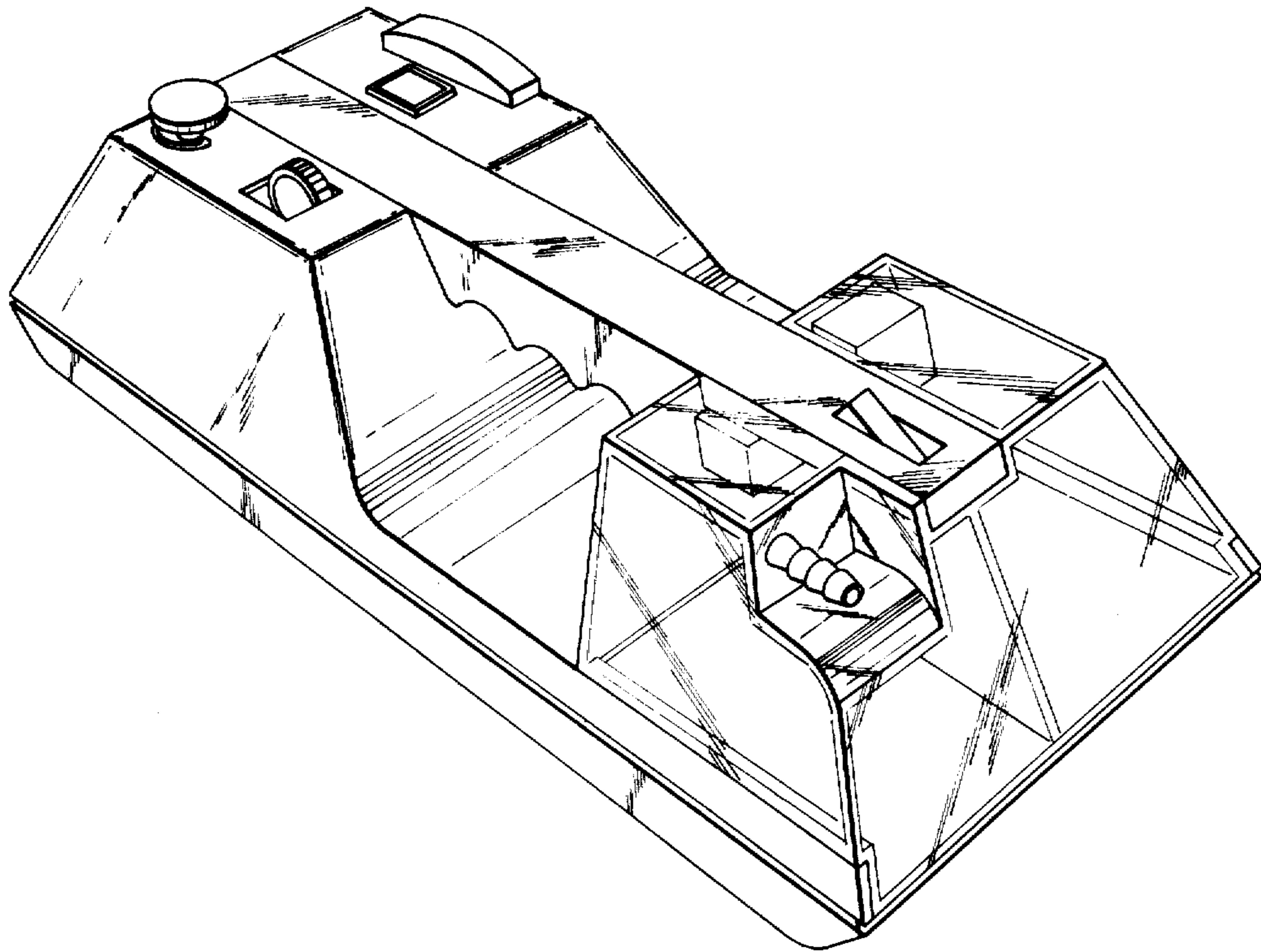
Primary Examiner—Veronica O’Keefe

[57] CLAIM

The ornamental design for a portable drainage device, substantially as shown.

DESCRIPTION

FIG. 1 is a perspective view of our portable drainage device;
 FIG. 2 is a front elevational view;
 FIG. 3 is a rear elevational view;
 FIG. 4 is a right end elevational view;
 FIG. 5 is a left end elevational view;
 FIG. 6 is a top plan view; and
 FIG. 7 is a bottom plan view.



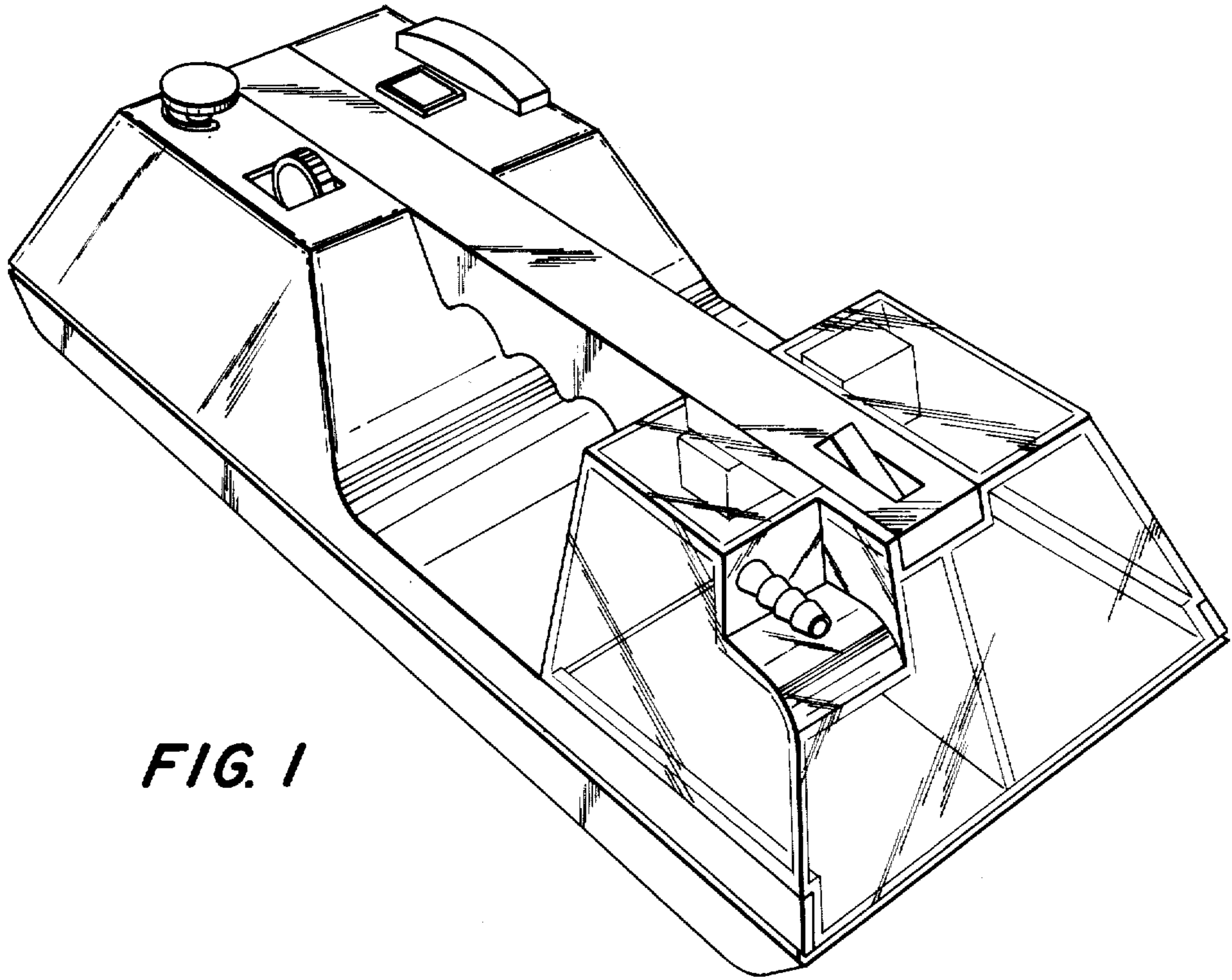


FIG. 1

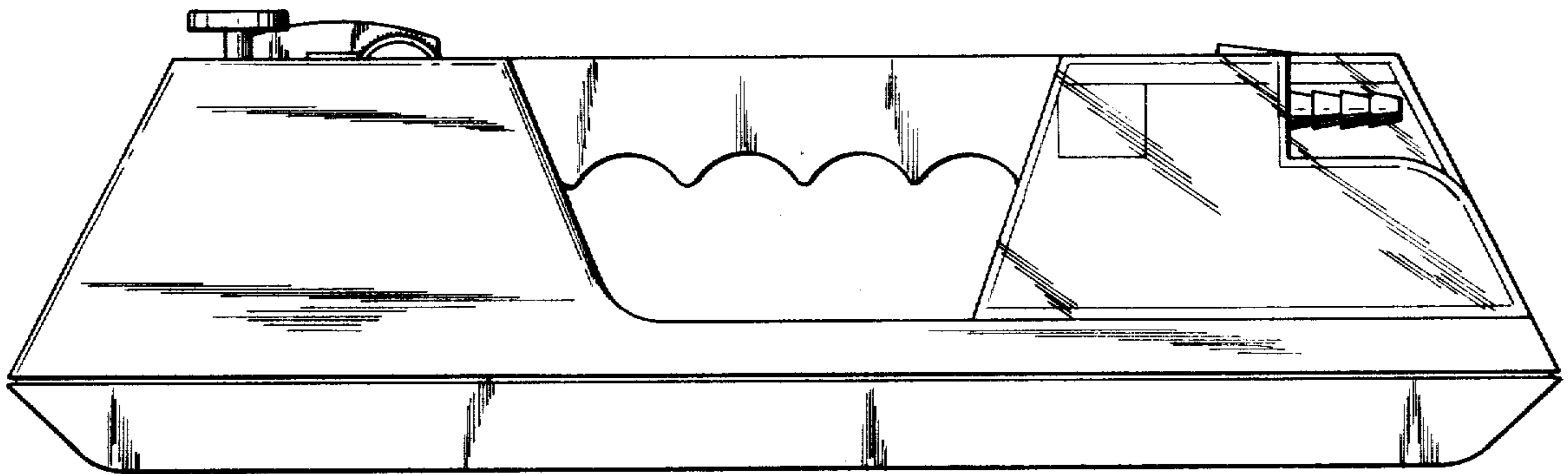


FIG. 2

FIG. 3

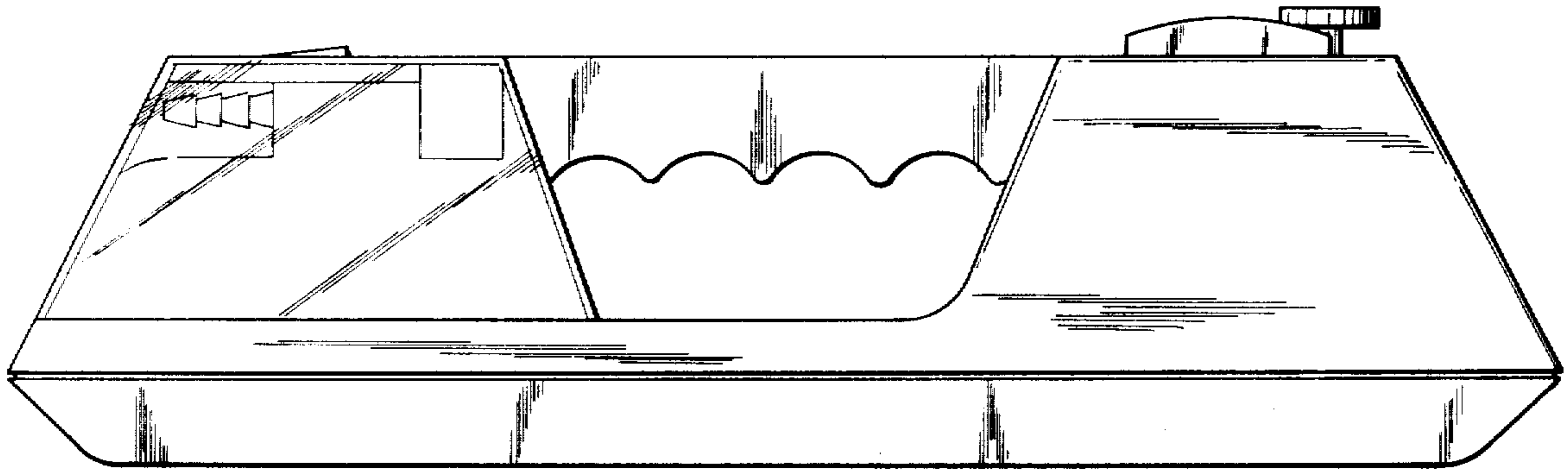


FIG. 4

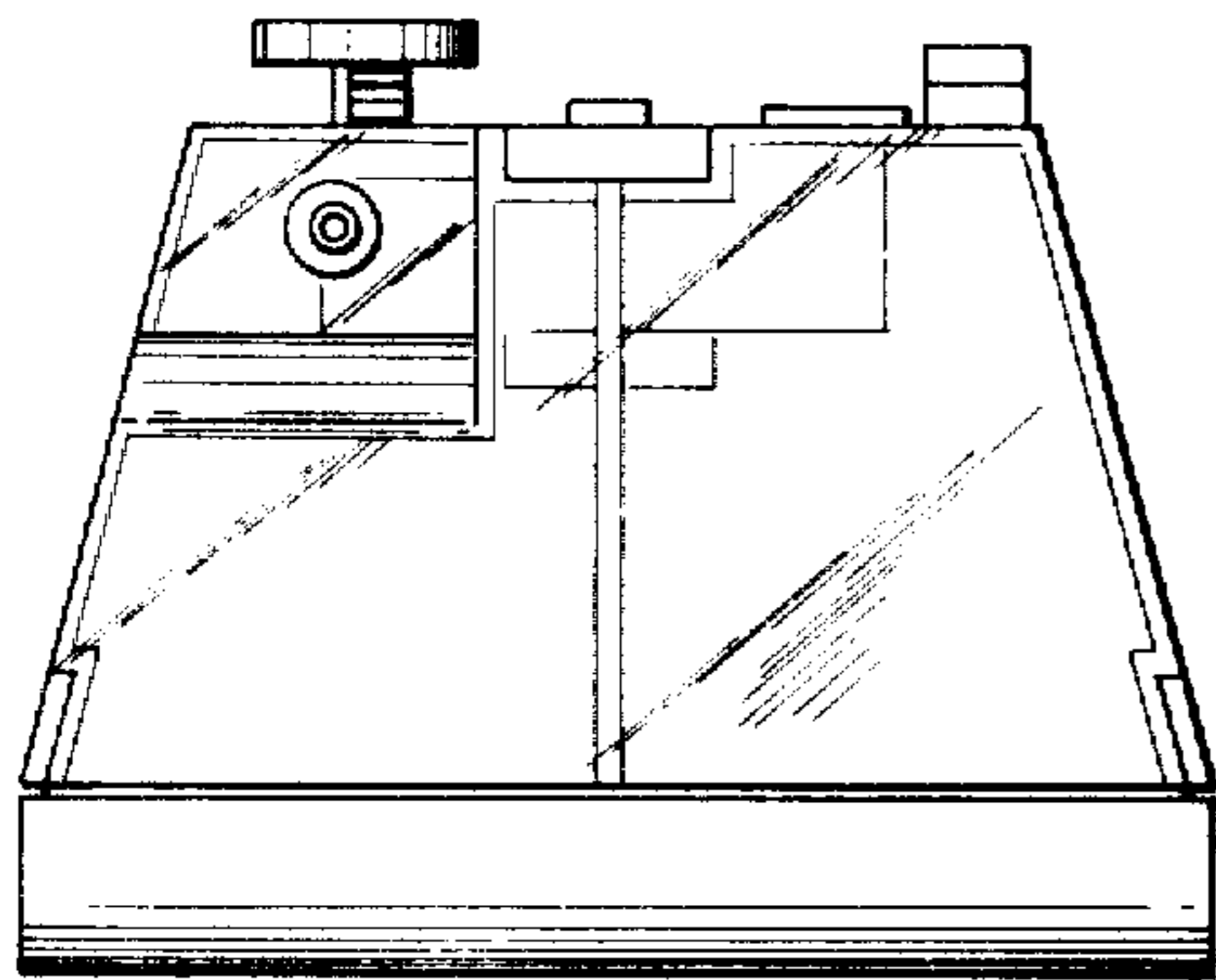


FIG. 5

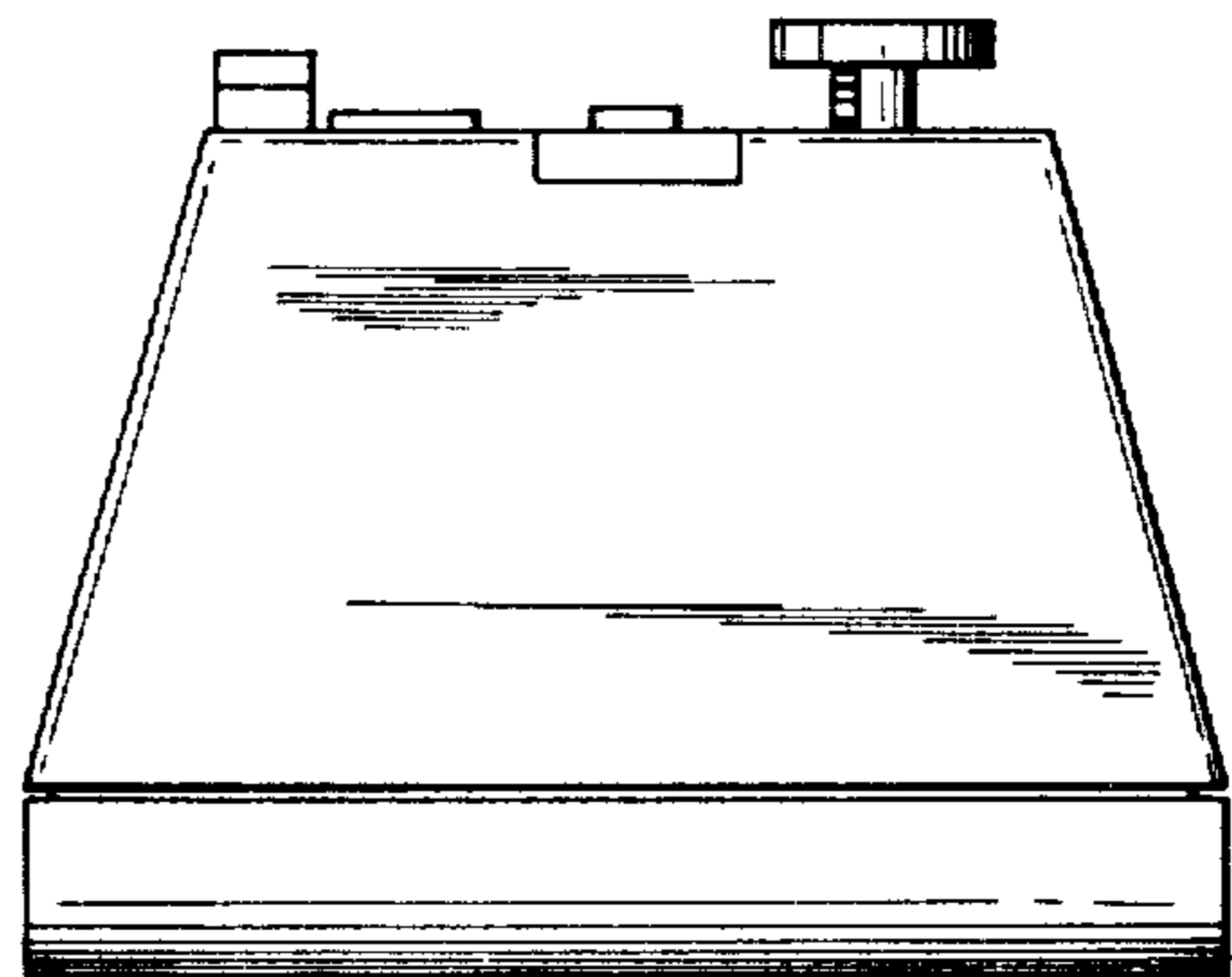


FIG. 6

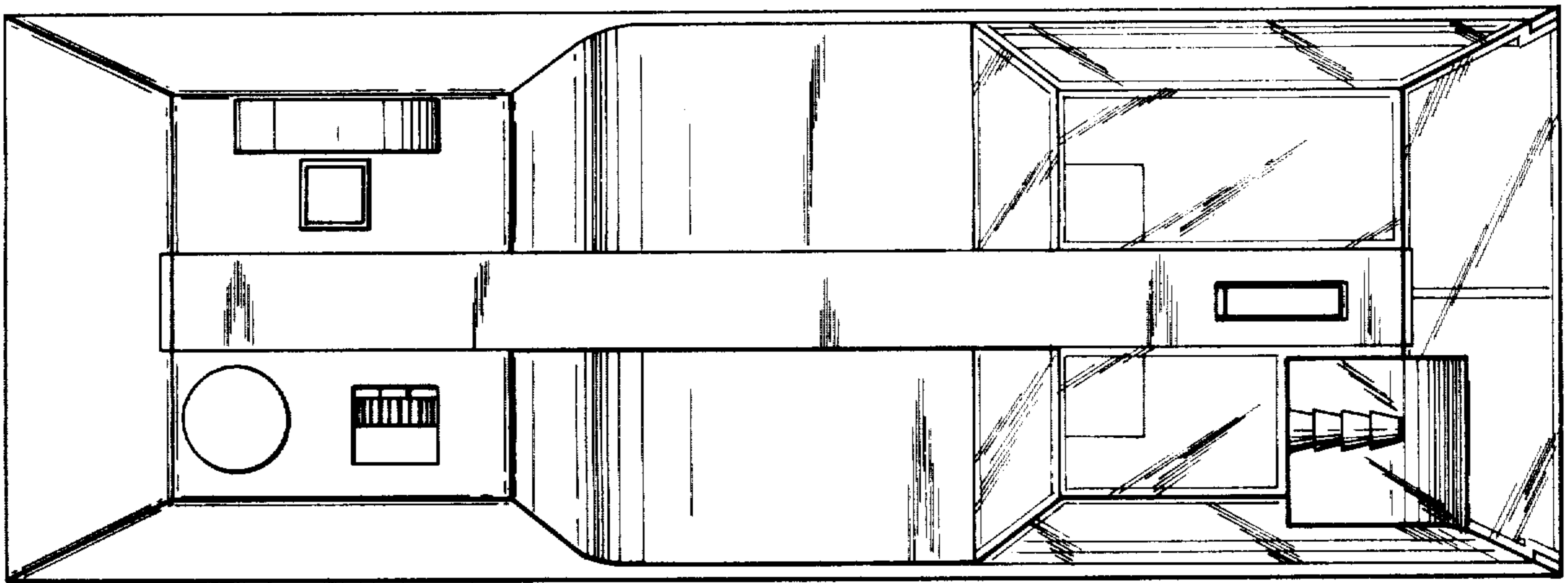


FIG. 7

