

[54] **OUTLET FITTING FOR A PIPE**
[76] Inventor: **Jarl R. Olde**, Laduvägen 4, Uppsala, Sweden
[**] Term: **14 Years**
[21] Appl. No.: **952,327**
[22] Filed: **Oct. 18, 1978**
[30] **Foreign Application Priority Data**
Apr. 19, 1978 [SE] Sweden 1100
[51] Int. Cl. **D23-01**
[52] U.S. Cl. **D23/40**
[58] Field of Search **D23/40-45;**
285/189, 196, 197, 338

[56] **References Cited**
U.S. PATENT DOCUMENTS
D. 239,938 5/1976 Olson, Jr. D23/40
D. 240,428 7/1976 Hoffman D23/40
998,926 7/1911 Sheehan et al. 285/199
3,131,953 5/1964 Windsor 285/189
3,272,542 9/1966 Haulik et al. 285/189
3,471,176 10/1969 Gilchrist 285/197 X
3,489,441 1/1970 Malcolm 285/197

3,606,398 9/1971 Boccada 285/197
3,677,578 7/1972 Roos 285/208 X
3,776,463 12/1972 Dyck 285/197 X
3,973,789 8/1976 Kunz 285/196 X

Primary Examiner—James R. Largen
Attorney, Agent, or Firm—Seidel, Gonda, Goldhammer & Panitch

[57] **CLAIM**

The ornamental design for outlet fitting for a pipe, as shown.

DESCRIPTION

FIG. 1 is a top plan view of an outlet fitting for a pipe showing my new design, the bottom being a mirror image of the top shown;
FIG. 2 is a side elevational view thereof, the opposite side being a mirror image of the side shown;
FIG. 3 is an elevational view taken from one end thereof;
FIG. 4 is an elevational view taken from the end opposite that shown in FIG. 3;
FIG. 5 is a perspective view taken from the top, one side of the end shown in FIG. 3; and
FIG. 6 is a perspective view thereof taken from the top, one side and the end shown in FIG. 4.

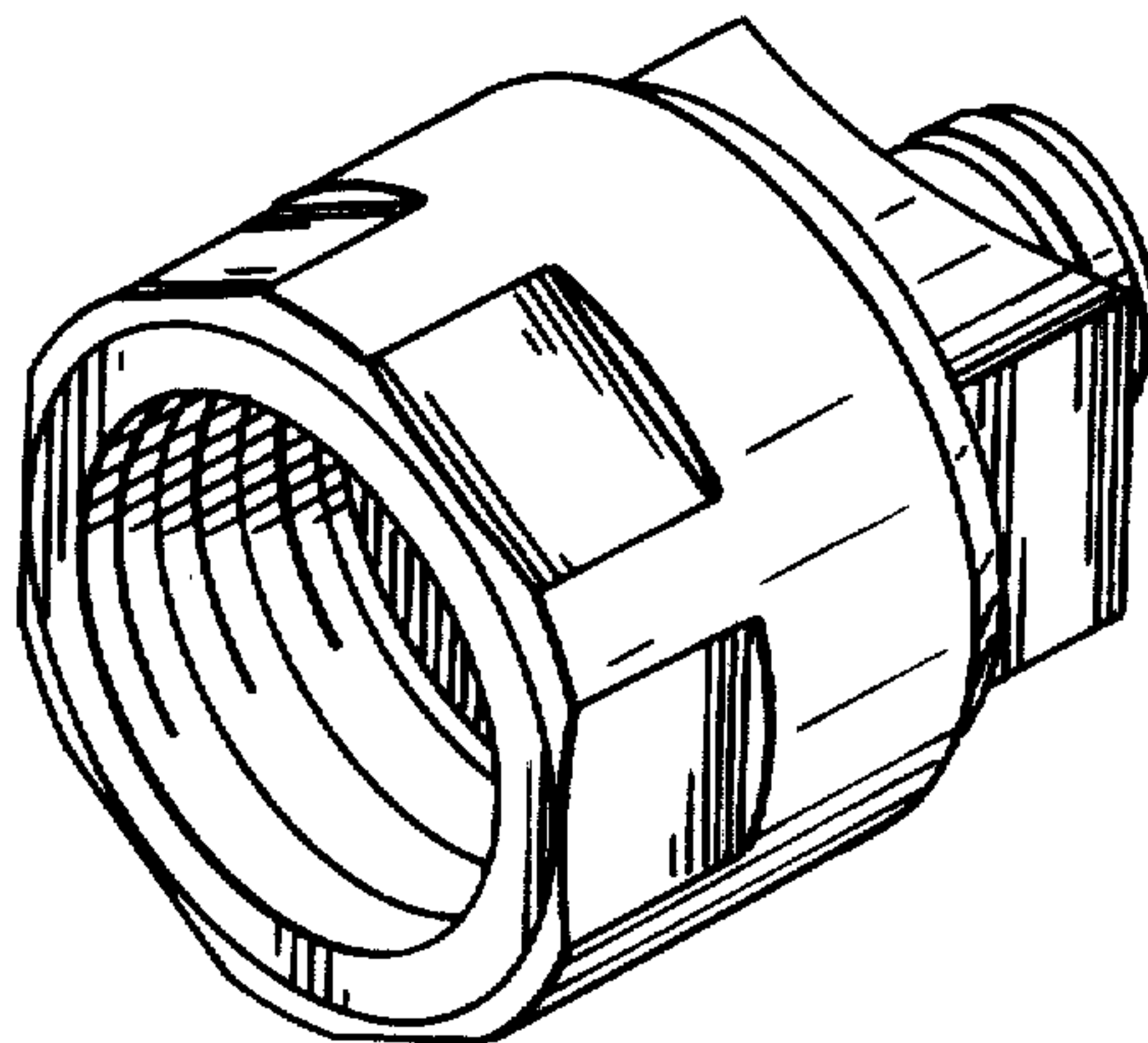


FIG. 1

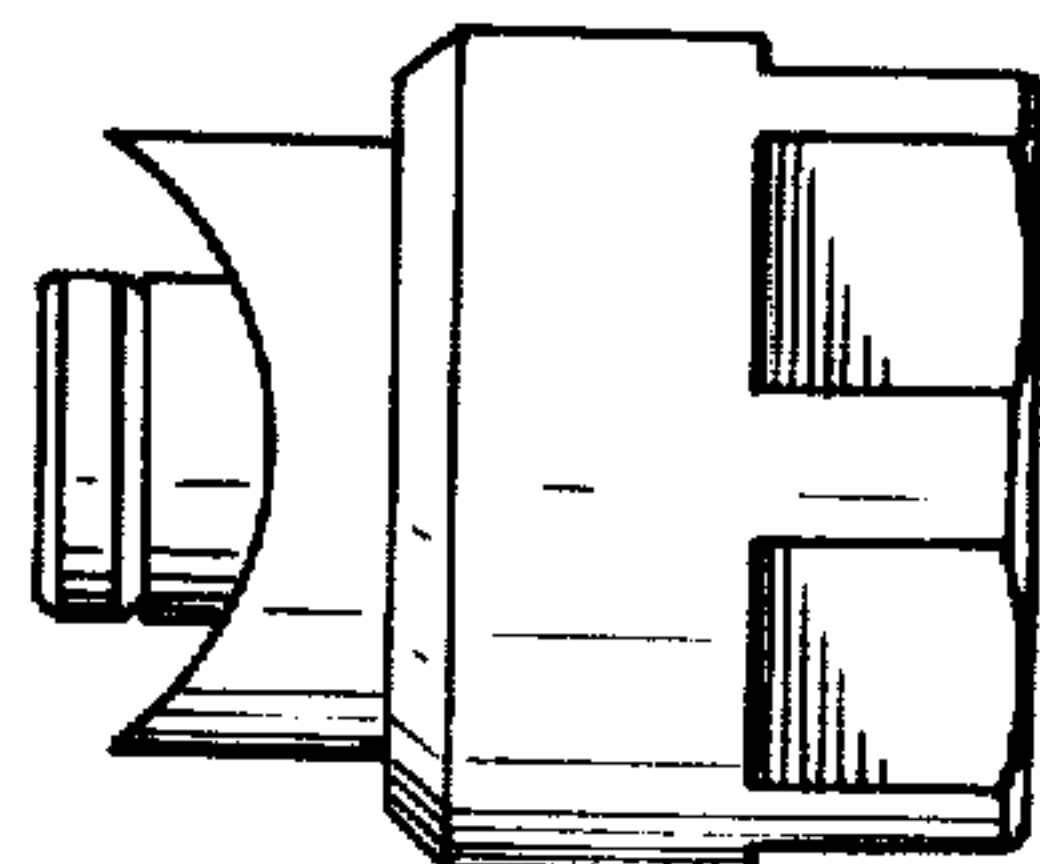


FIG. 3

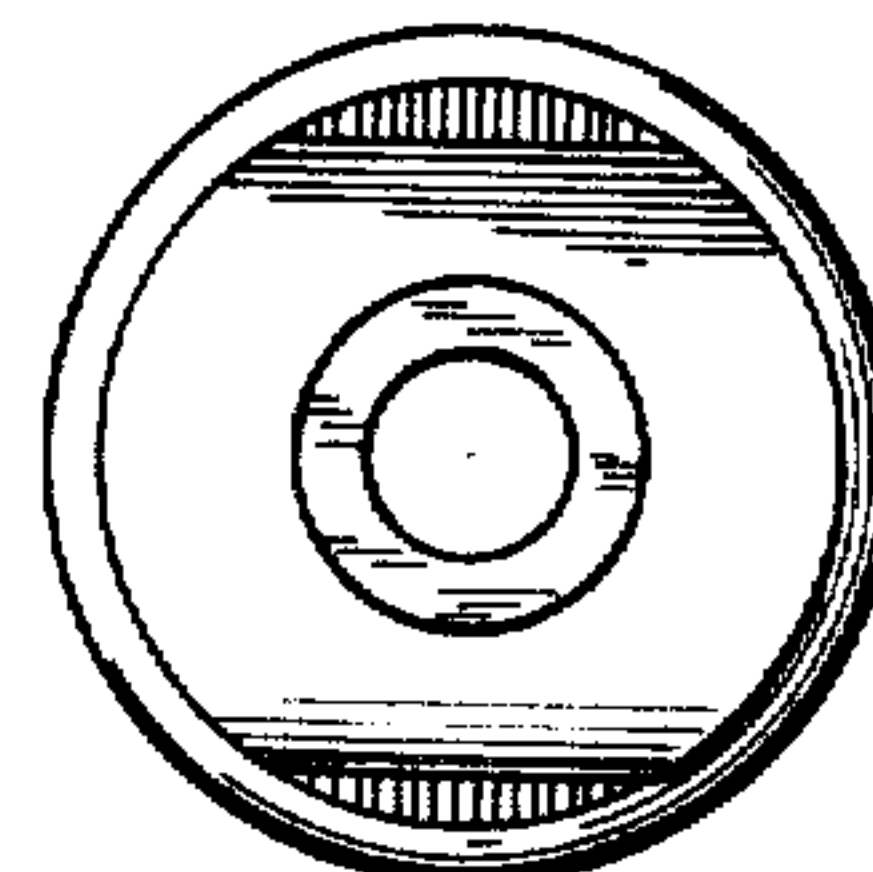


FIG. 2

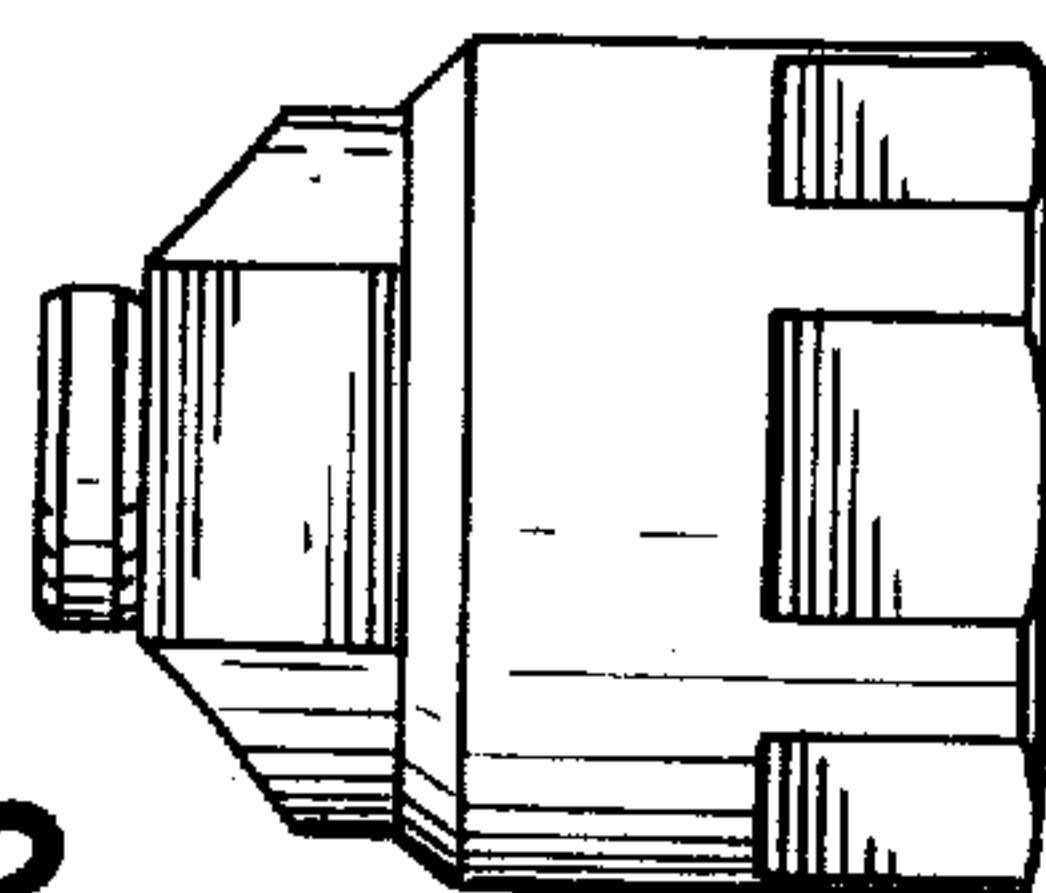


FIG. 4

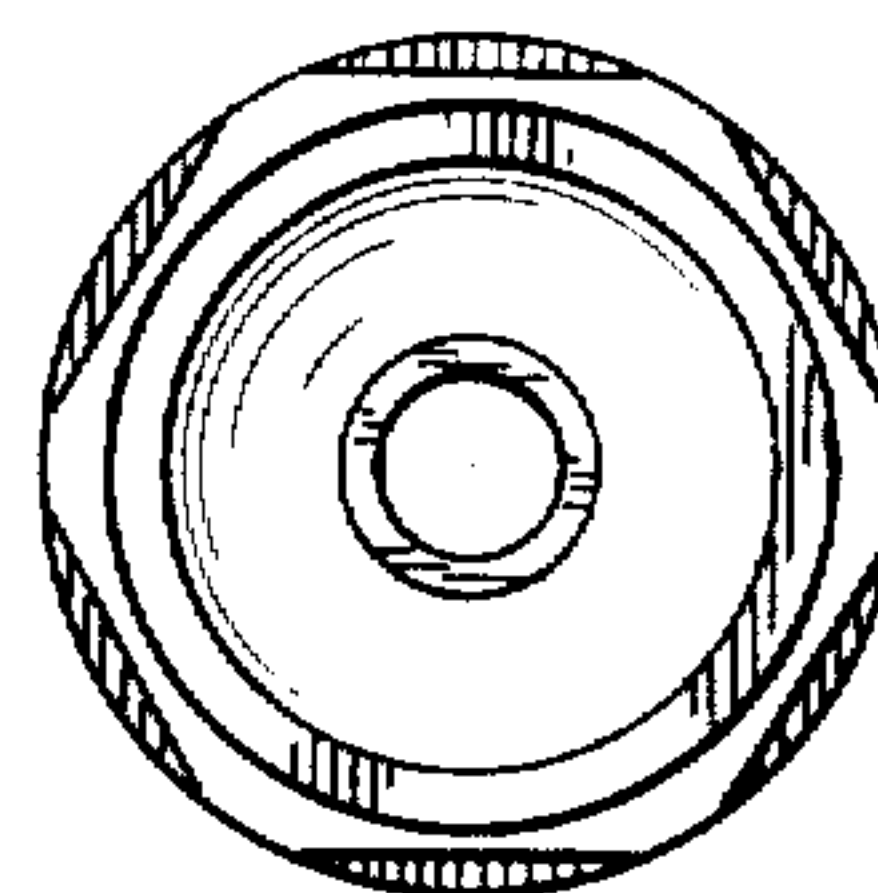


FIG. 5

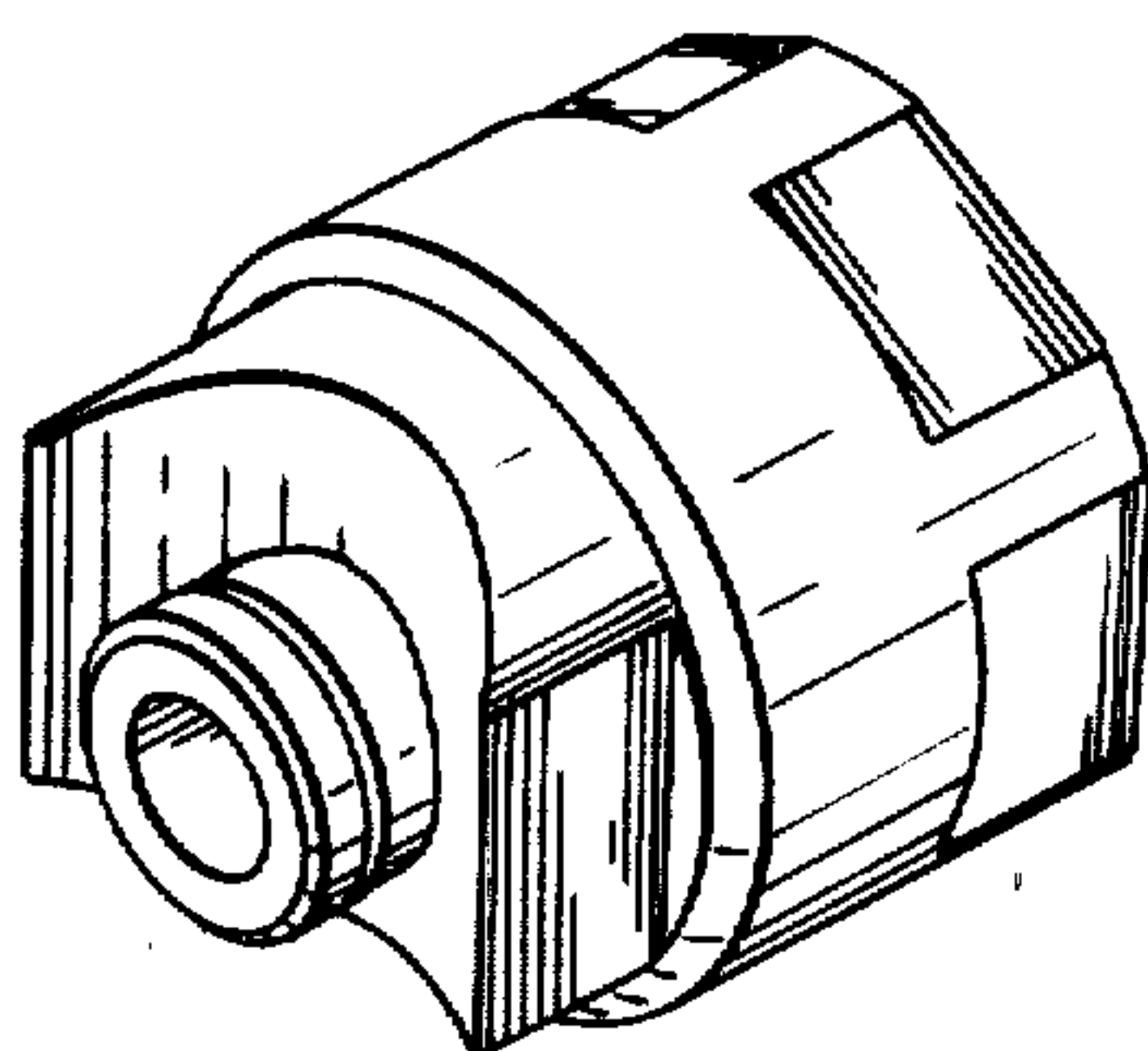


FIG. 6

