

[54] **CONTROLLED LETTERING SCRIBER**

[75] Inventor: **Allister L. Baker**, Denville, N.J.

[73] Assignee: **Keuffel & Esser Company**,
Morristown, N.J.

[**] Term: **14 Years**

[21] Appl. No.: **152,931**

[22] Filed: **May 23, 1980**

[51] Int. Cl. **D19-06**

[52] U.S. Cl. **D19/41**

[58] Field of Search **D19/41, 35; D10/61;**
401/48; 33/23 D

[56] **References Cited**

U.S. PATENT DOCUMENTS

3,218,717 11/1965 Hansen 33/23 D
3,276,126 10/1966 Sellen et al. 33/23 D
3,440,727 4/1969 Danjczek 33/23 D

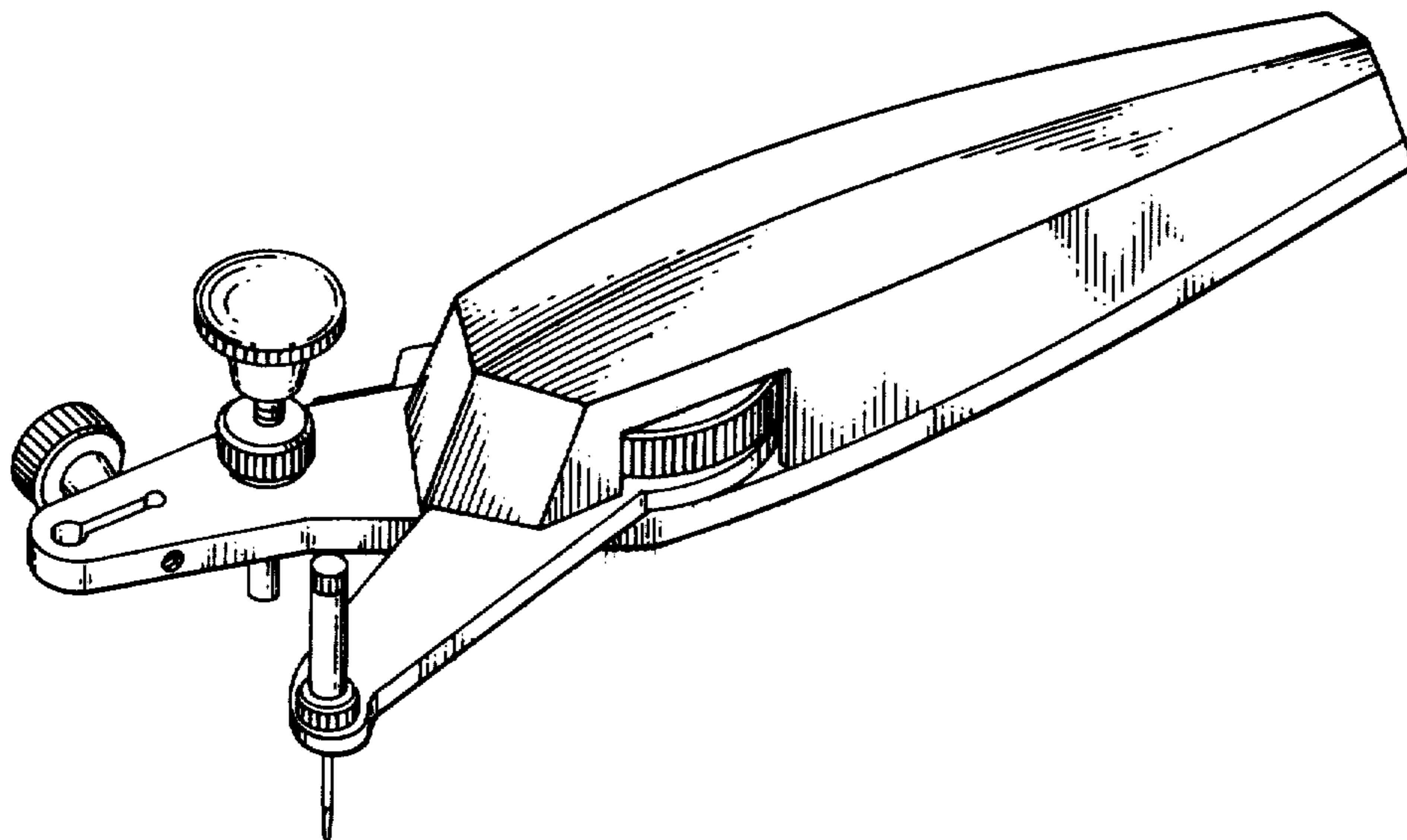
Primary Examiner—George P. Word
Attorney, Agent, or Firm—Lionel N. White

[57] **CLAIM**

The ornamental design for a controlled lettering scribe, as shown.

DESCRIPTION

FIG. 1 is a front perspective view of a controlled lettering scribe embodying my new design; FIG. 2 is a rear perspective view thereof; and FIG. 3 is the bottom plan view thereof.



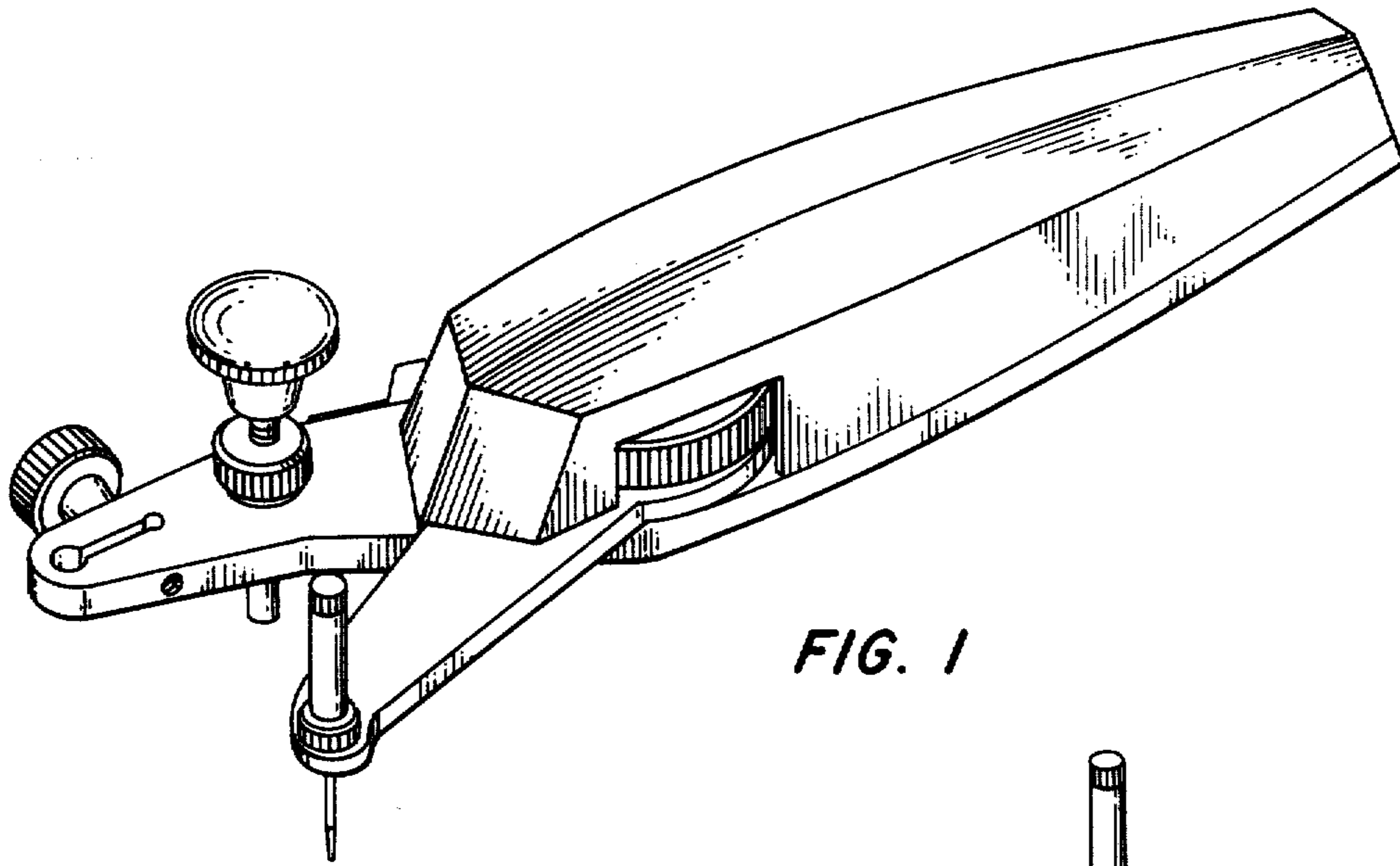


FIG. 1

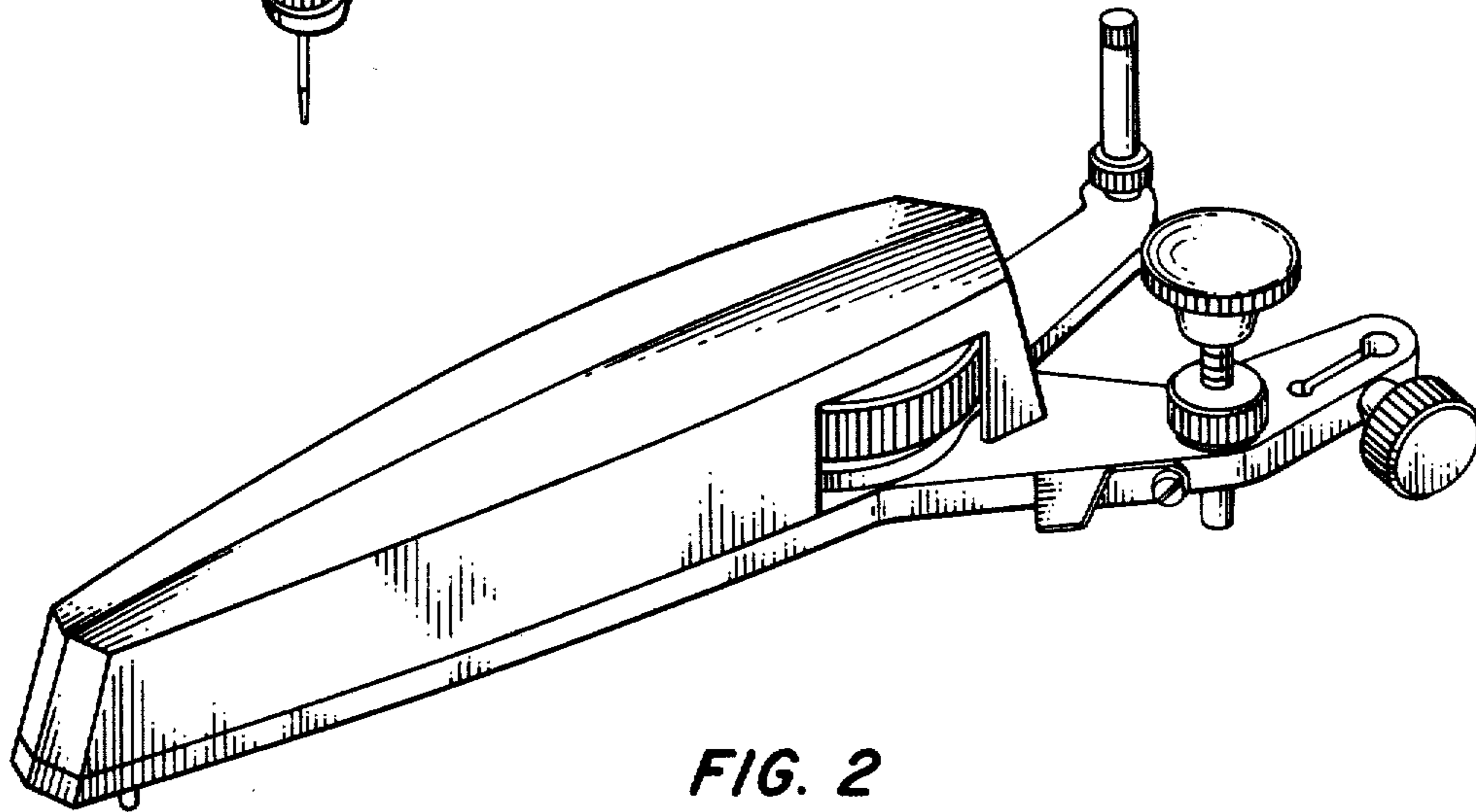


FIG. 2

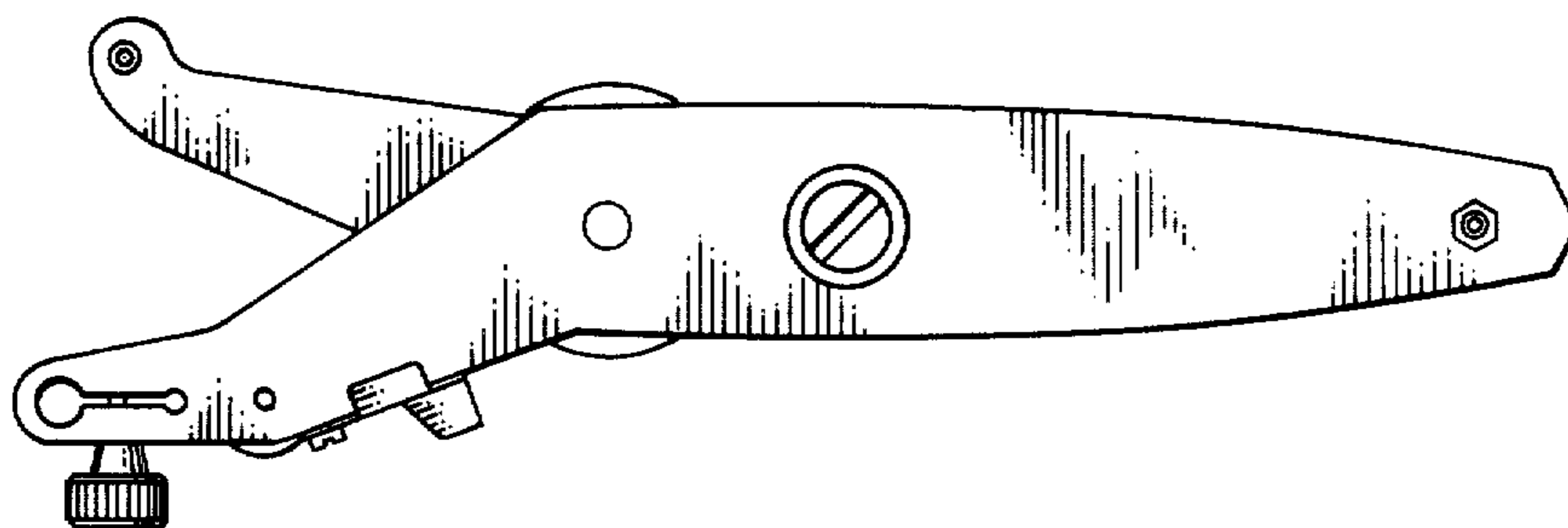


FIG. 3