

[54] NUT FOR GUITARS

[75] Inventor: Gregg Wilson, Placentia, Calif.

[73] Assignee: CBS Inc., New York, N.Y.

[**] Term: 14 Years

[21] Appl. No.: 77,277

[22] Filed: Sep. 20, 1979

[51] Int. Cl. D17-03

[52] U.S. Cl. D17/20

[58] Field of Search D17/14, 15, 18, 20; 84/267, 314 N, 314 R; D21/108

[56] References Cited

U.S. PATENT DOCUMENTS

D. 152,897 3/1949 Miekley D17/19
4,206,679 6/1980 Wilson 84/314 N

FOREIGN PATENT DOCUMENTS

2019074 10/1979 United Kingdom 84/314 N

OTHER PUBLICATIONS

Creative Playthings, Princeton, N.J. '69-'70 Cat., ©'69, CBS, p. 51, bottom right corner Photo, Block #RB021 with "Channel".
Targ & Dinner, Chicago, Ill., '70 Cat., ©'70, p. 67, Item #3992, Metal Button Gear Cover.

Primary Examiner—Jane E. Corrigan
Attorney, Agent, or Firm—Gausewitz, Carr, Rothenberg & Edwards

[57] CLAIM

The ornamental design of a nut for guitars, substantially as shown and described.

DESCRIPTION

FIG. 1 is a front, top and left side perspective view of a nut for guitars showing my new design;
FIG. 2 is a rear, bottom and left side perspective view; and
FIG. 3 is an end elevational view.

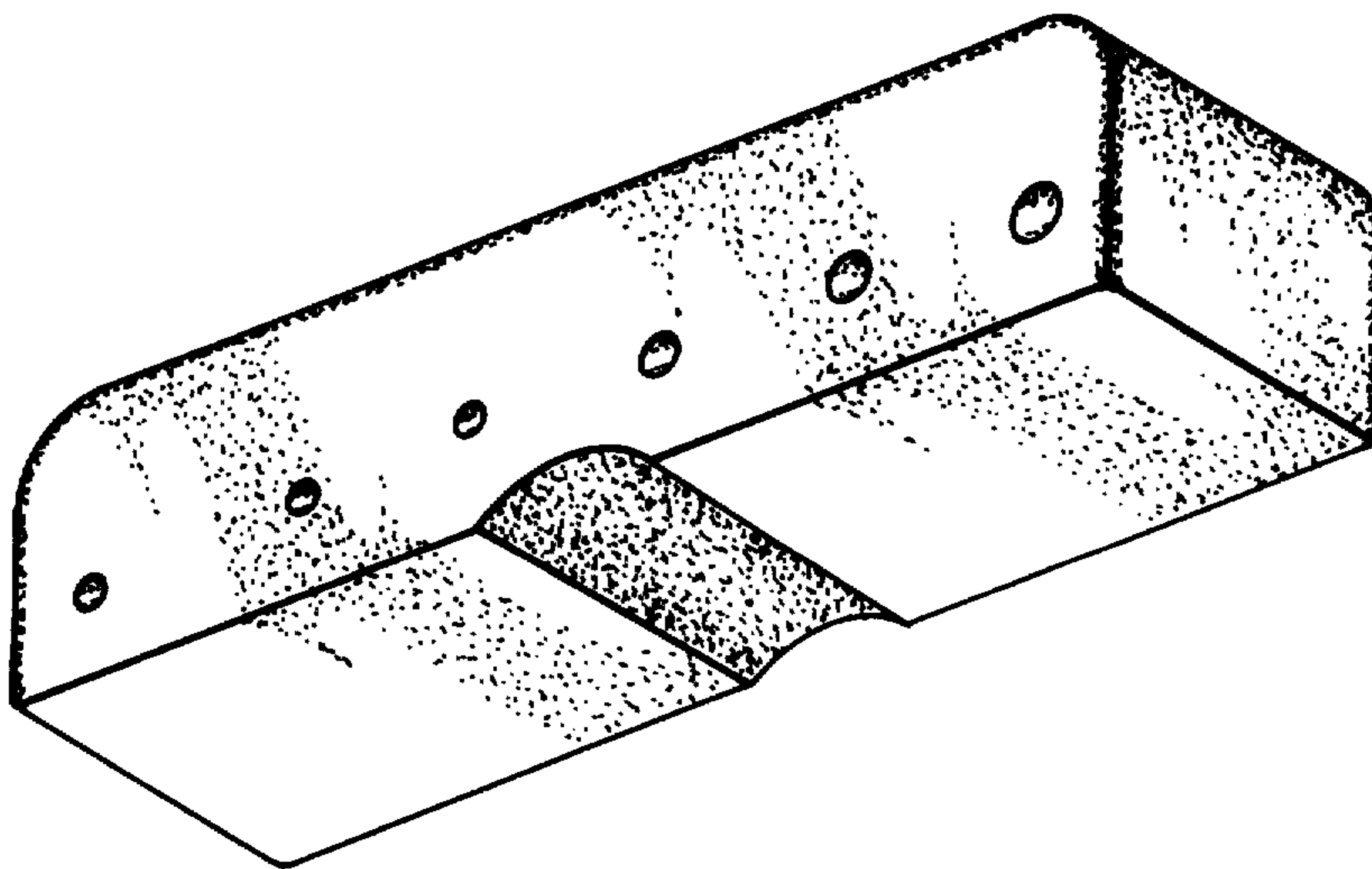


FIG. 1.

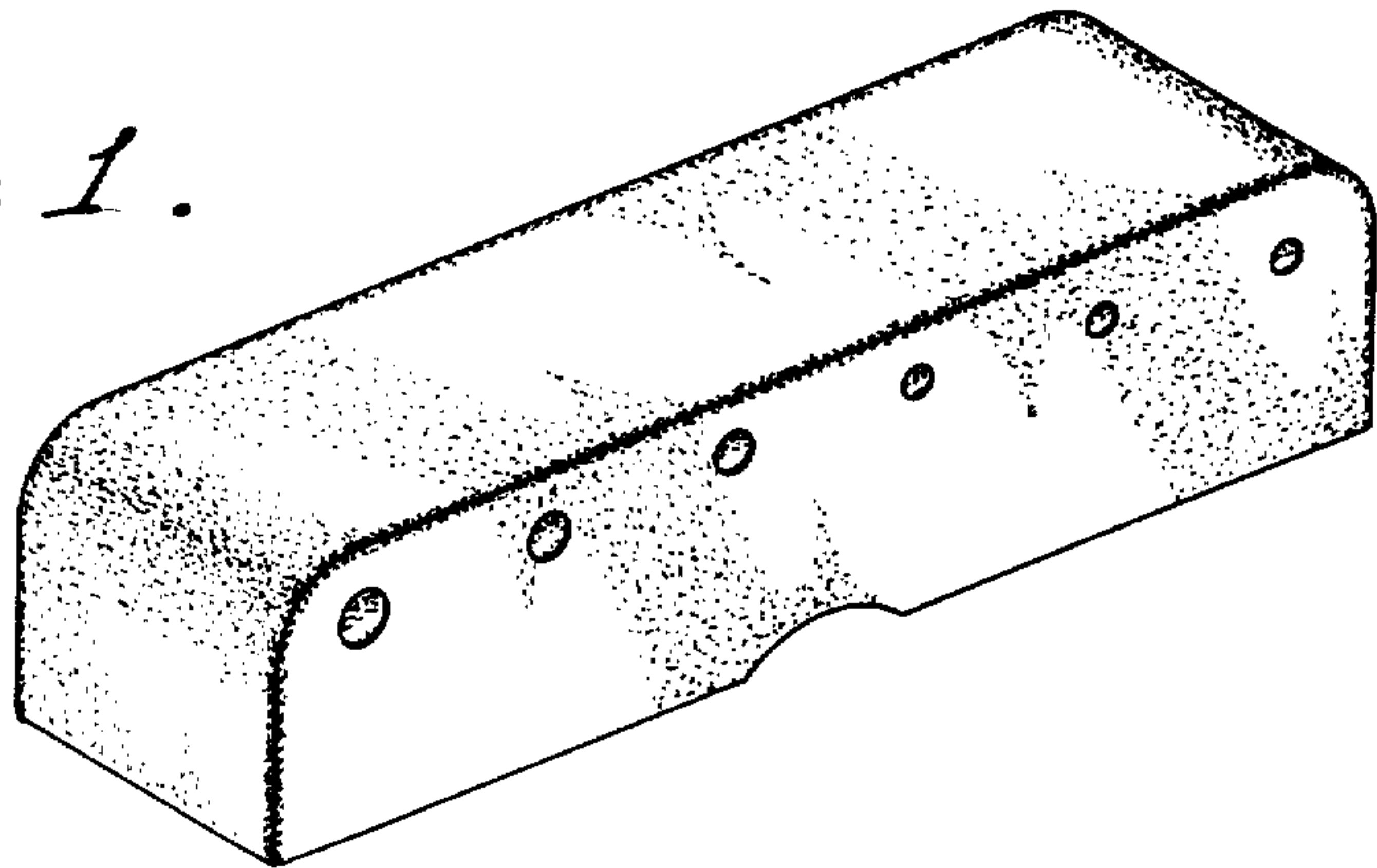


FIG. 2.

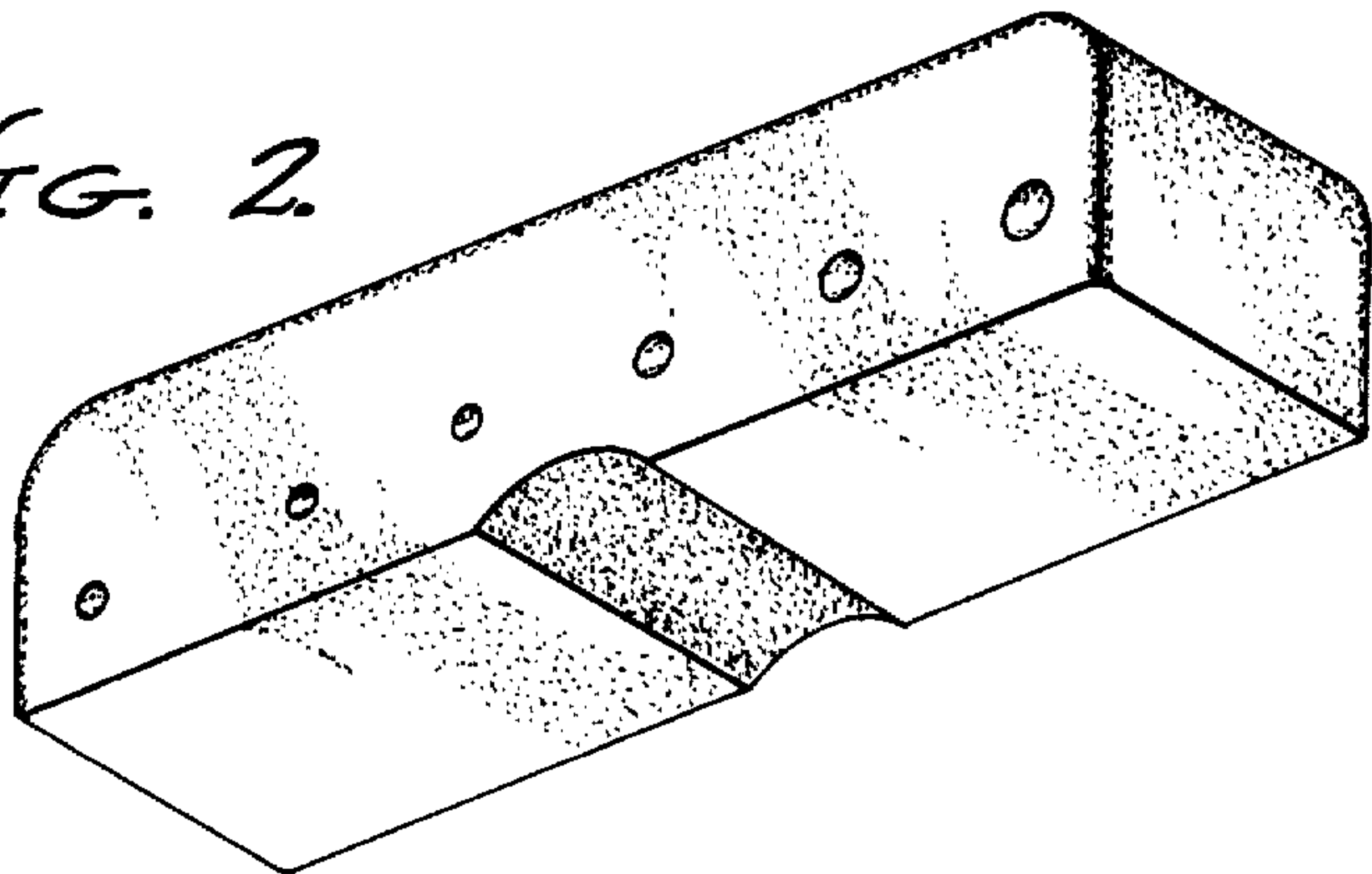


FIG. 3.