

[54] TRIPOD

[75] Inventor: Osamu Iwasaki, Tokorozawa, Japan

[73] Assignee: Slik Tripod Co., Ltd., Saitama, Japan

[**] Term: 14 Years

[21] Appl. No.: 103,039

[22] Filed: Dec. 13, 1979

[30] Foreign Application Priority Data

Jun. 19, 1979 [JP]	Japan	54-25208
Jun. 29, 1979 [JP]	Japan	54-26869

[51] Int. Cl. D16-05

[52] U.S. Cl. D16/45

[58] Field of Search D16/44, 45, 46; 248/168, 169, 171

[56] References Cited

U.S. PATENT DOCUMENTS

D. 179,828	3/1957	Welt	D16/45
D. 198,412	6/1964	Mooney	D16/46
D. 221,693	8/1971	Bradspies	D16/45
D. 222,596	11/1971	Leubner	D16/45
D. 257,260	10/1980	Shiraishi	D16/45
D. 257,261	10/1980	Shinohara	D16/45
2,668,682	2/1954	Dalton	D16/45 X
2,940,709	6/1960	Neuwirth	248/168

FOREIGN PATENT DOCUMENTS

856224	9/1952	Fed. Rep. of Germany	248/168
7506218	1/1976	Netherlands	248/169
329420	5/1930	United Kingdom	248/169

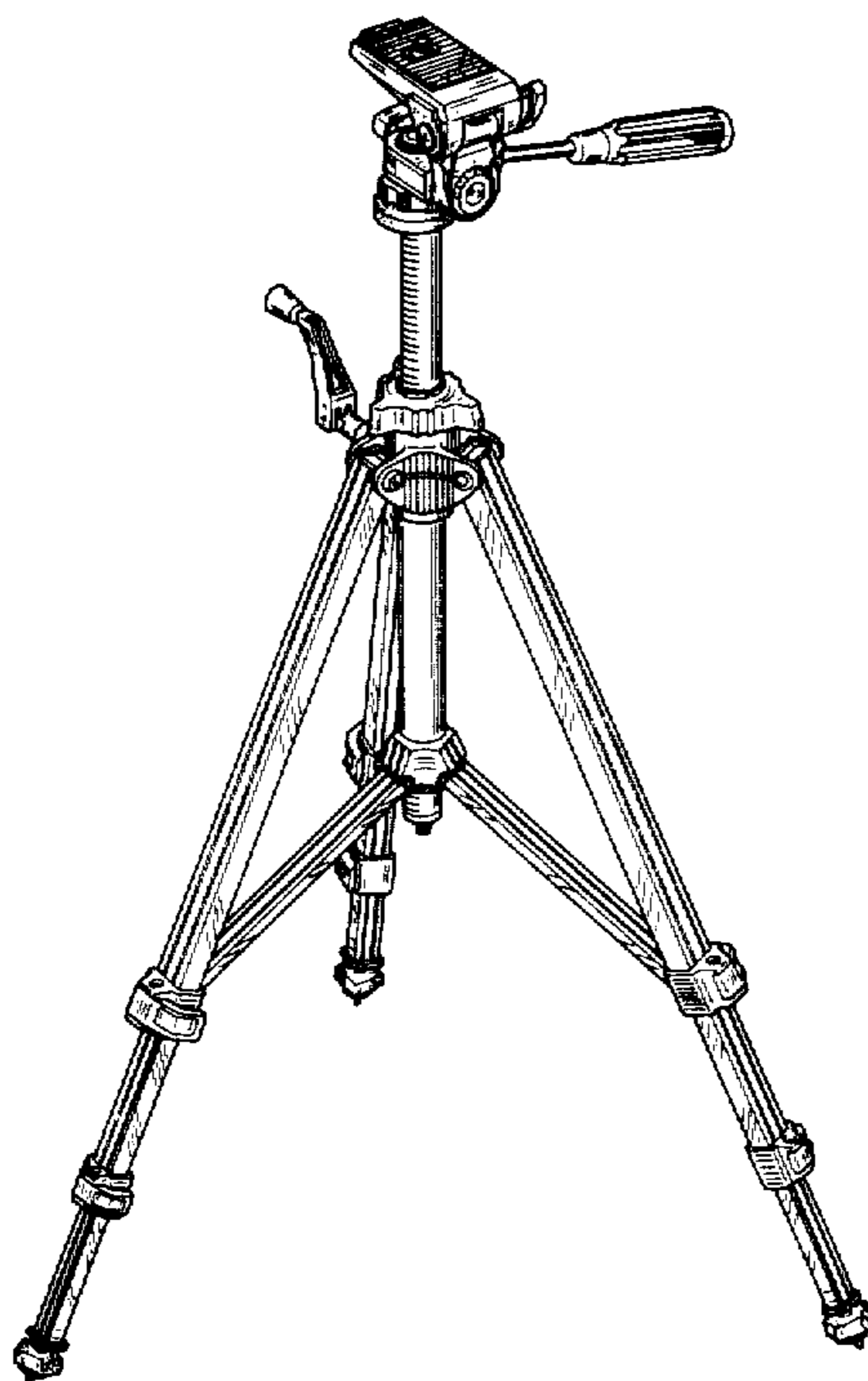
Primary Examiner—Nelson C. Holtje
Attorney, Agent, or Firm—Frishauf, Holtz, Goodman and Woodward

[57] CLAIM

The ornamental design for a tripod, as shown and described.

DESCRIPTION

FIG. 1 is a perspective view of a tripod showing my design;
 FIG. 2 is another perspective view thereof;
 FIG. 3 is a front elevational view thereof;
 FIG. 4 is a rear elevational view thereof;
 FIG. 5 is a right side elevational view thereof;
 FIG. 6 is a left side elevational view thereof;
 FIG. 7 is a perspective view of another embodiment of my new design of FIG. 1;
 FIG. 8 is another perspective view thereof;
 FIG. 9 is a front elevational view thereof;
 FIG. 10 is a rear elevational view thereof;
 FIG. 11 is a right side elevational view thereof; and
 FIG. 12 is a left side elevational view thereof.



F I G. 1

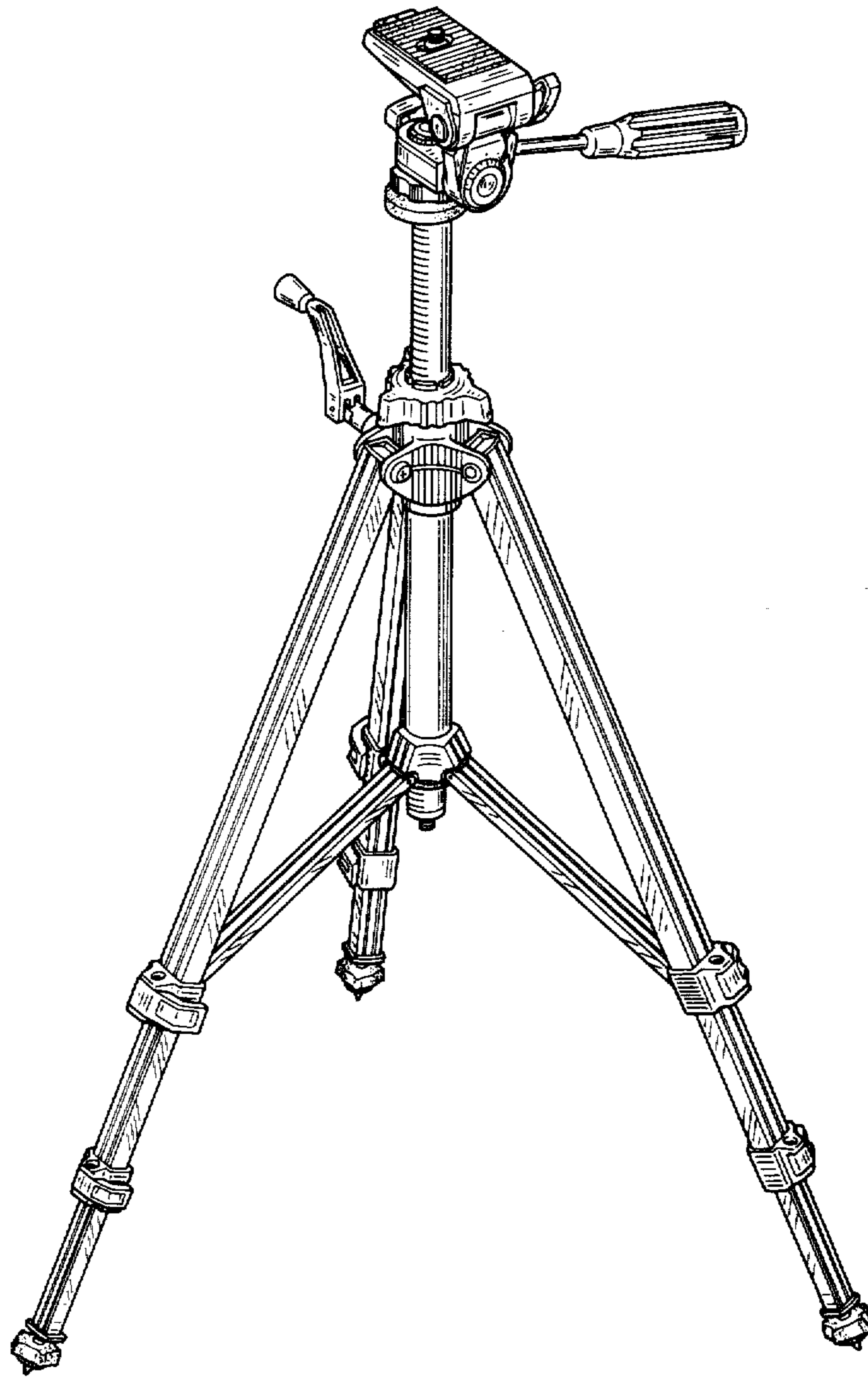


FIG. 2

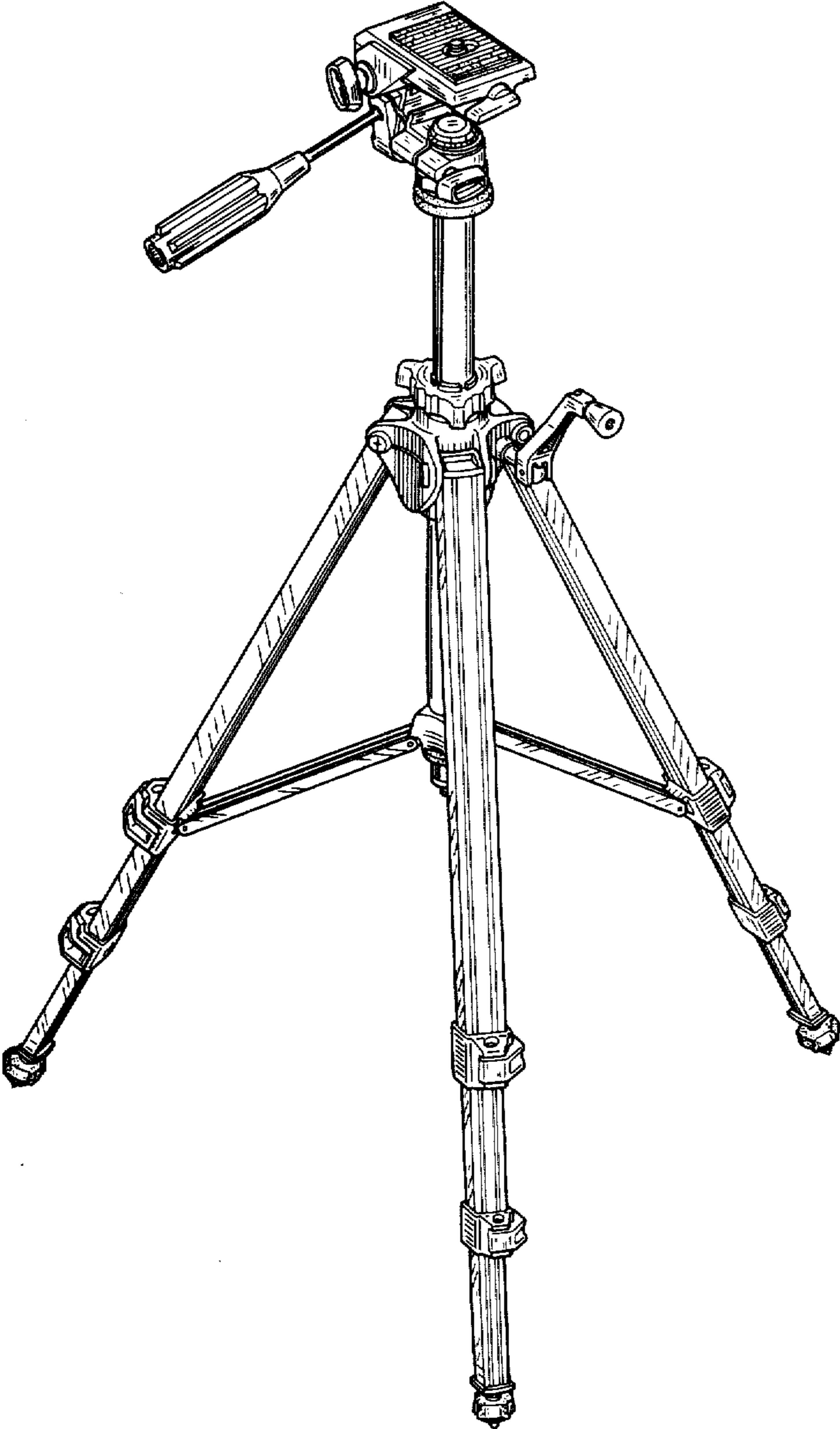


FIG. 3

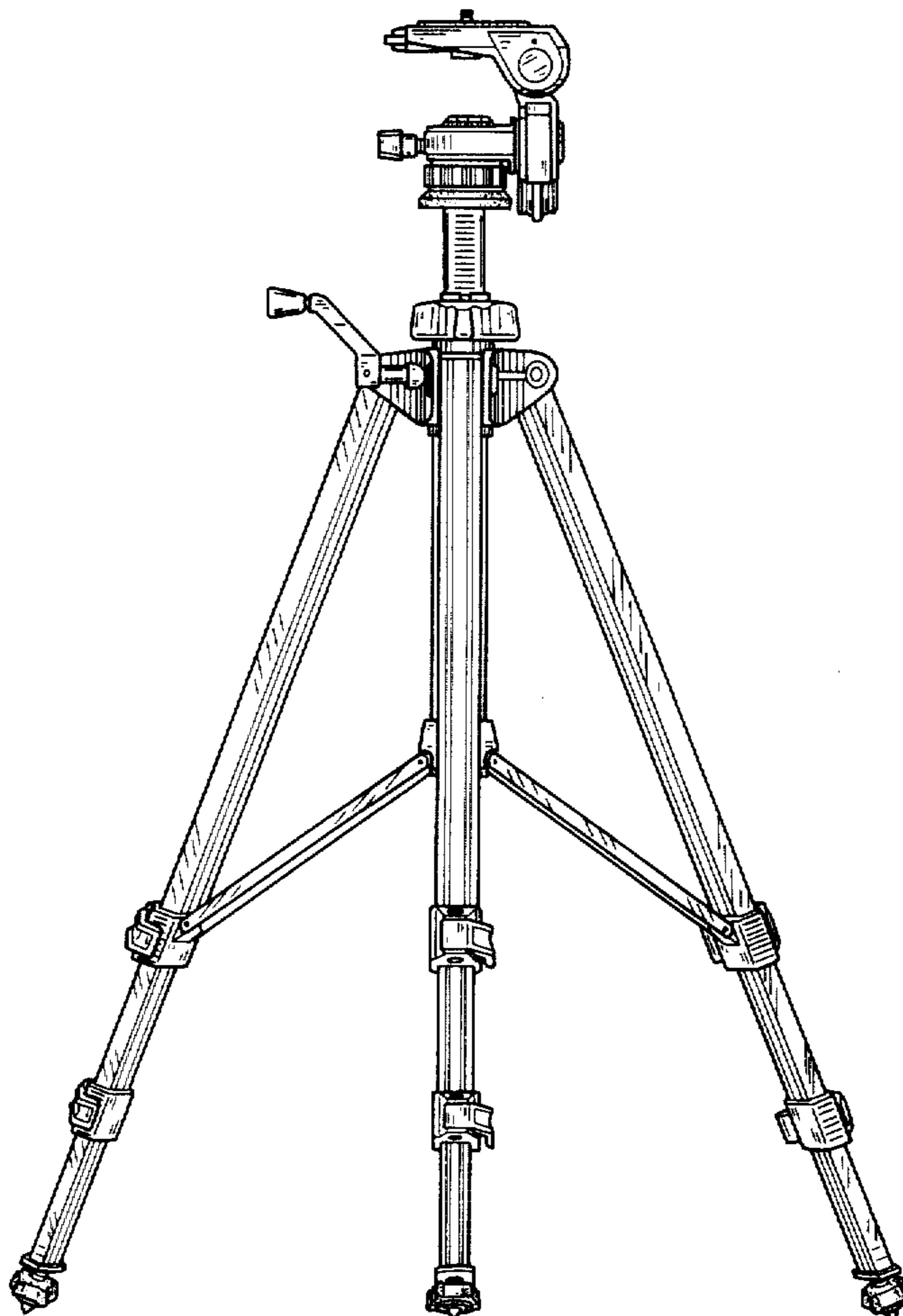
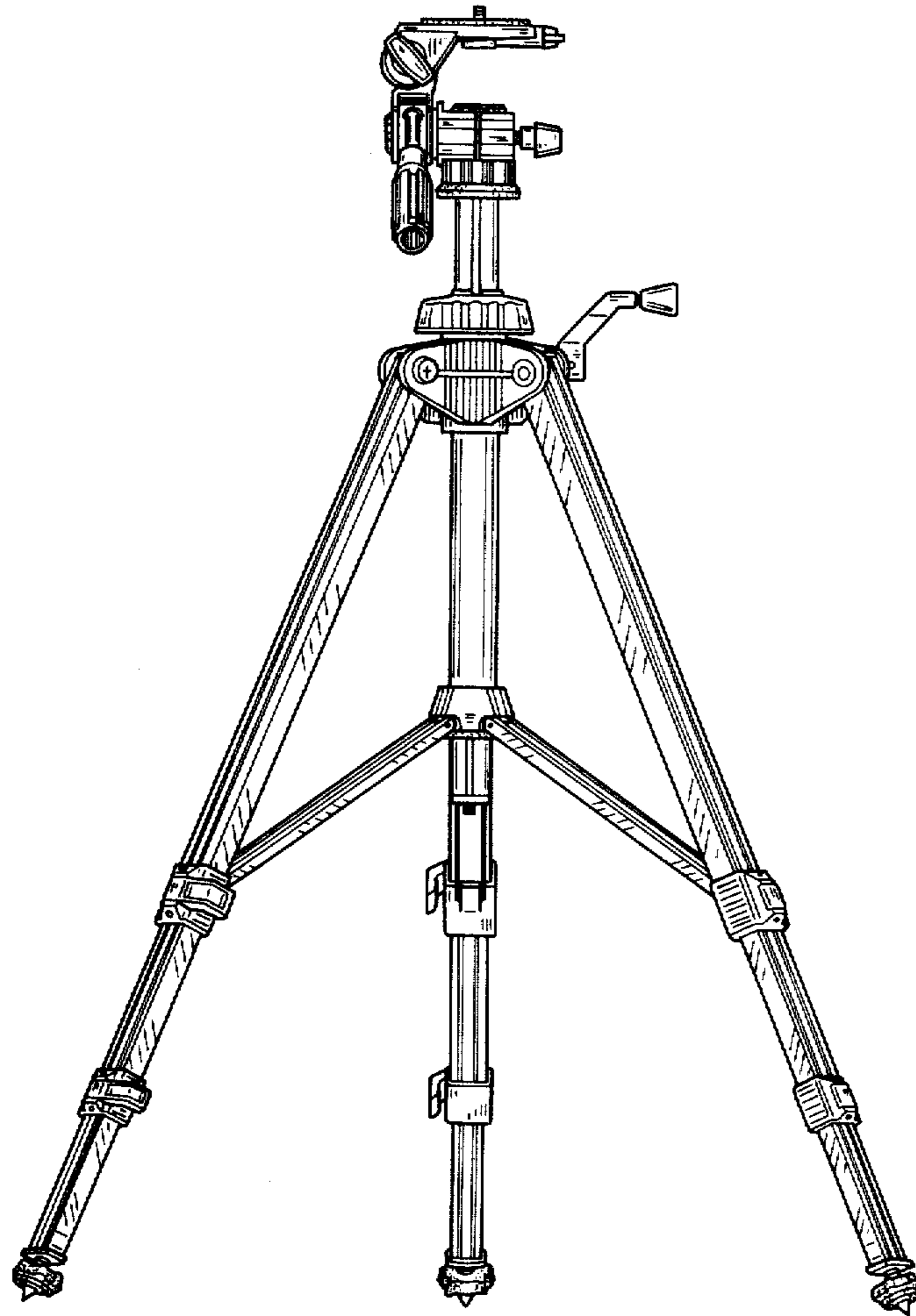


FIG. 4



F I G. 5

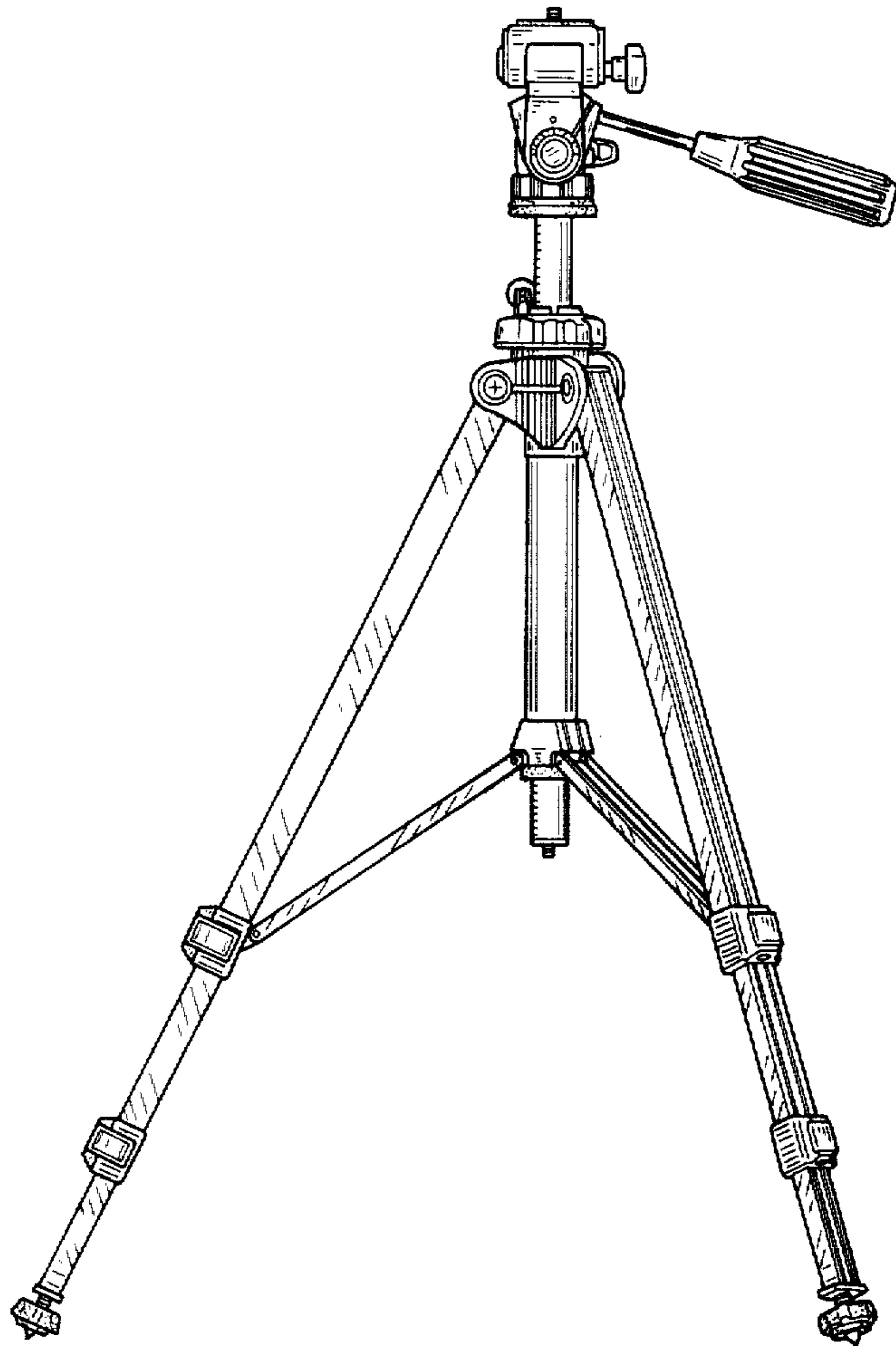


FIG. 6

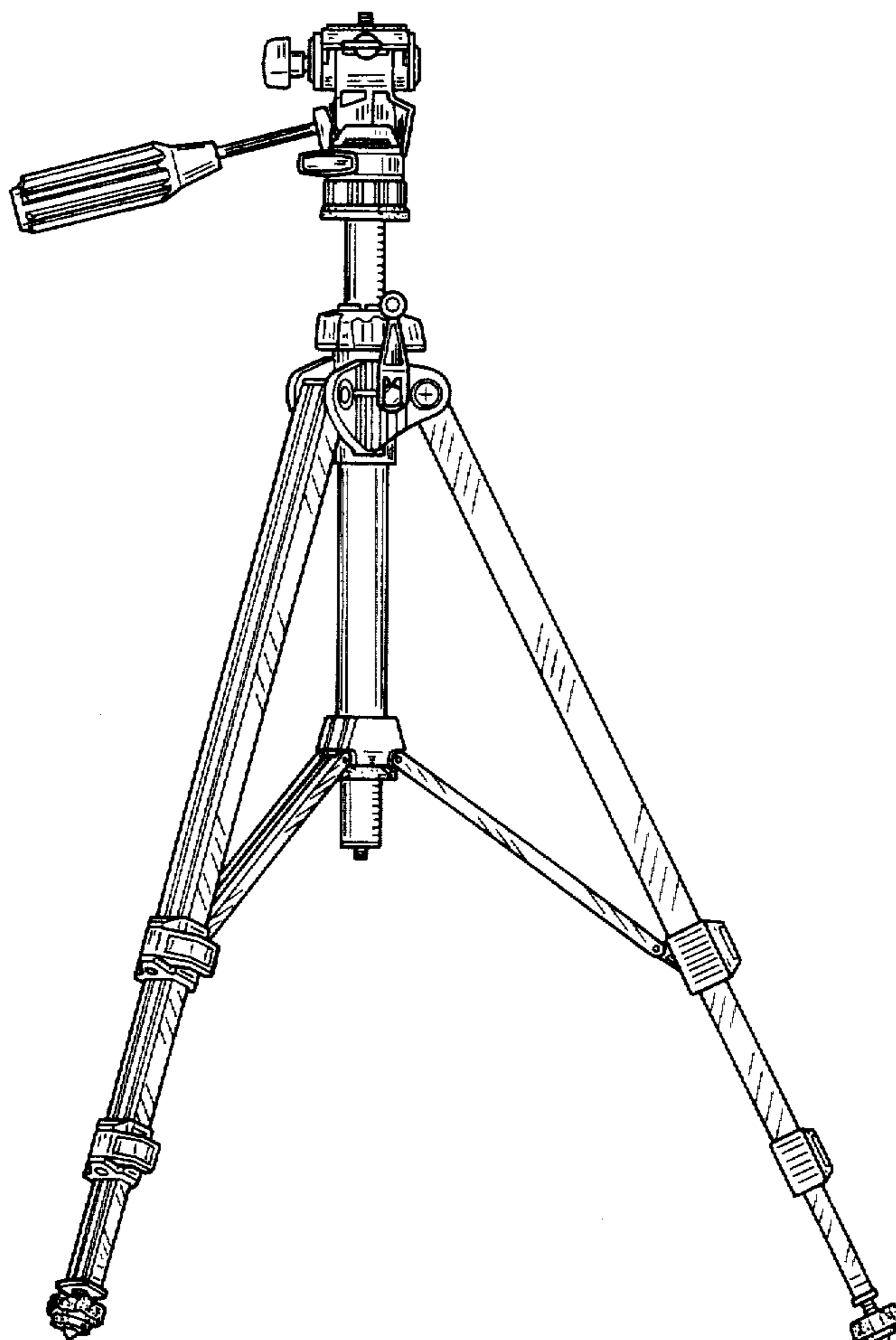


FIG. 7

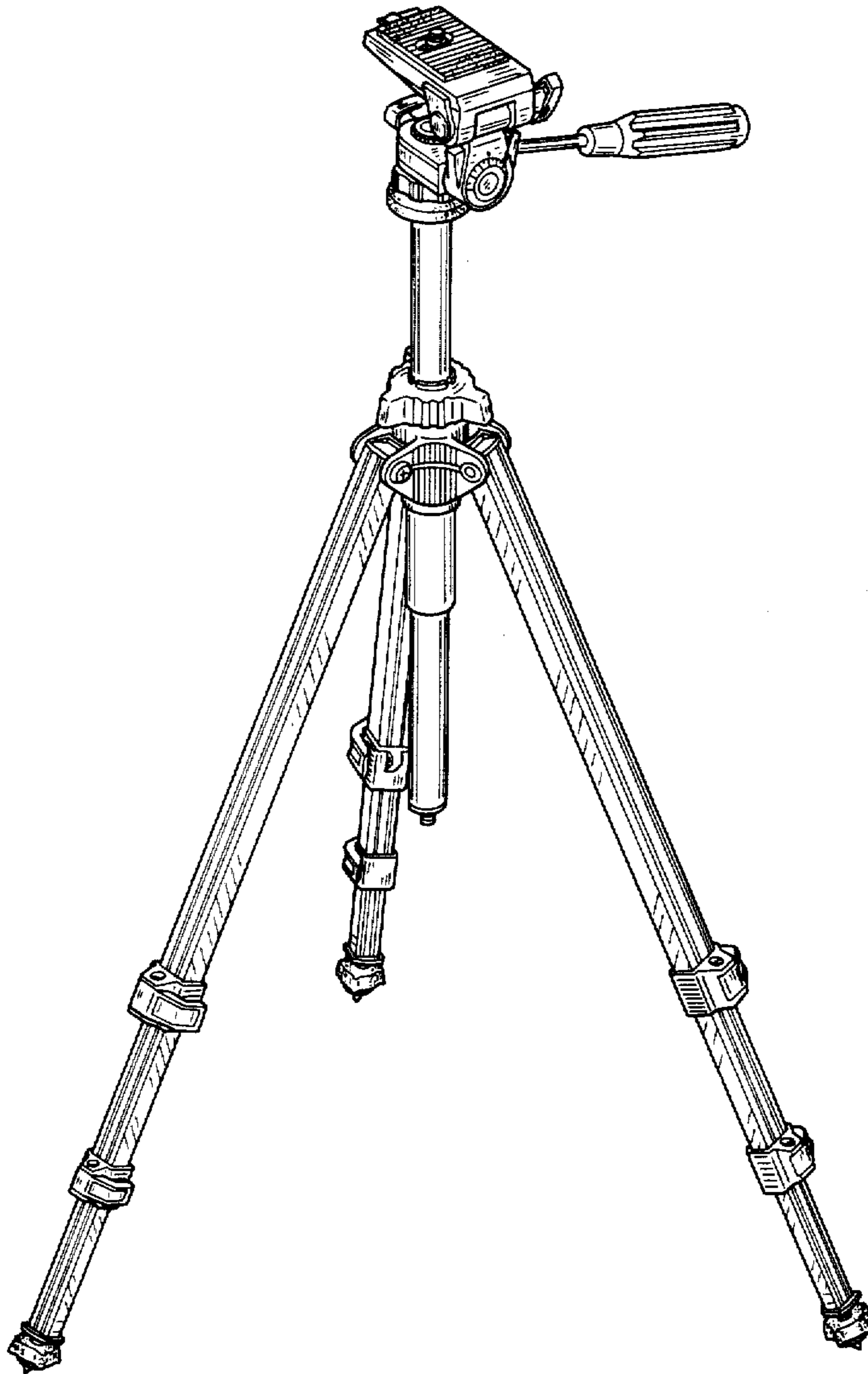
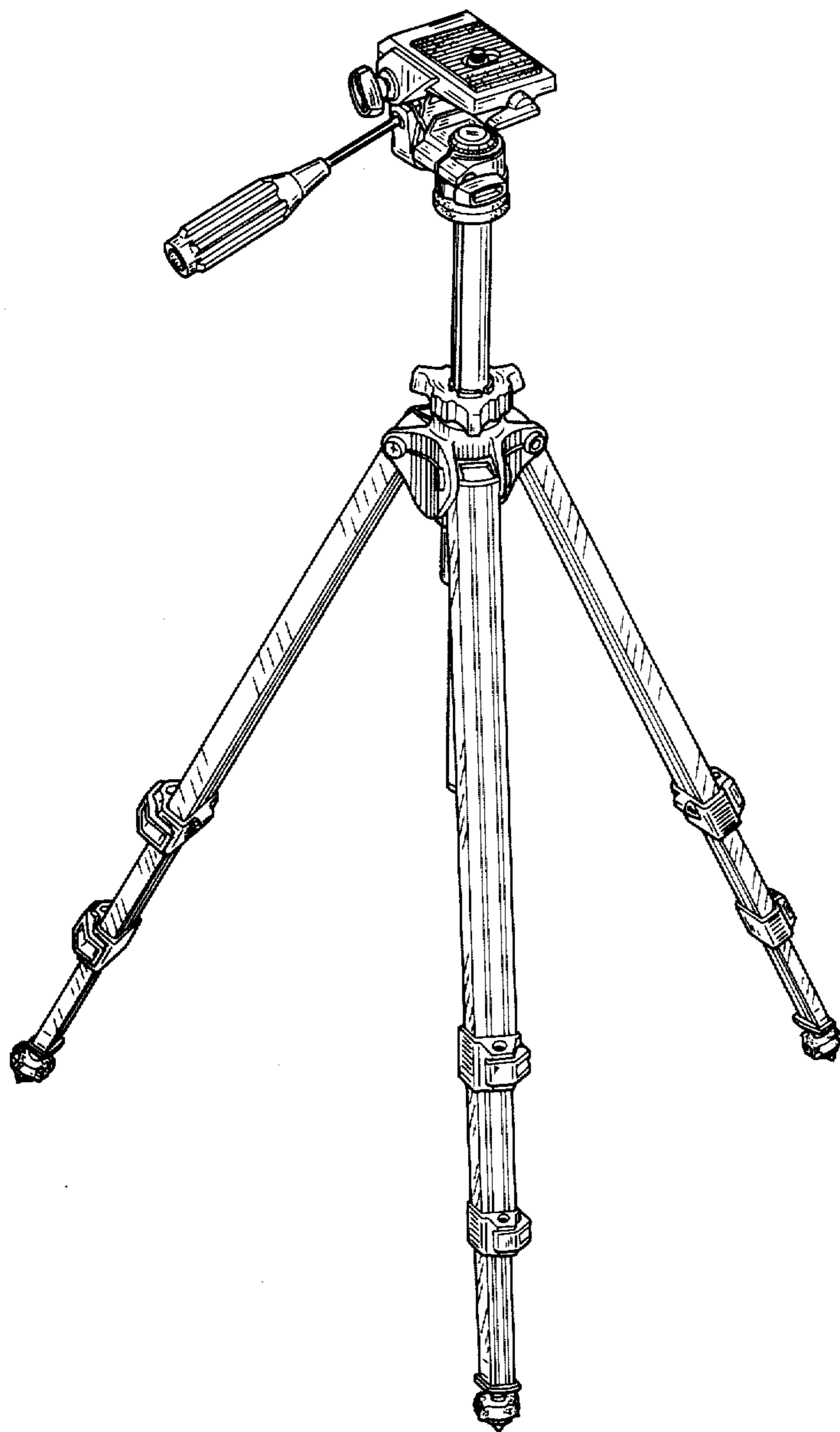
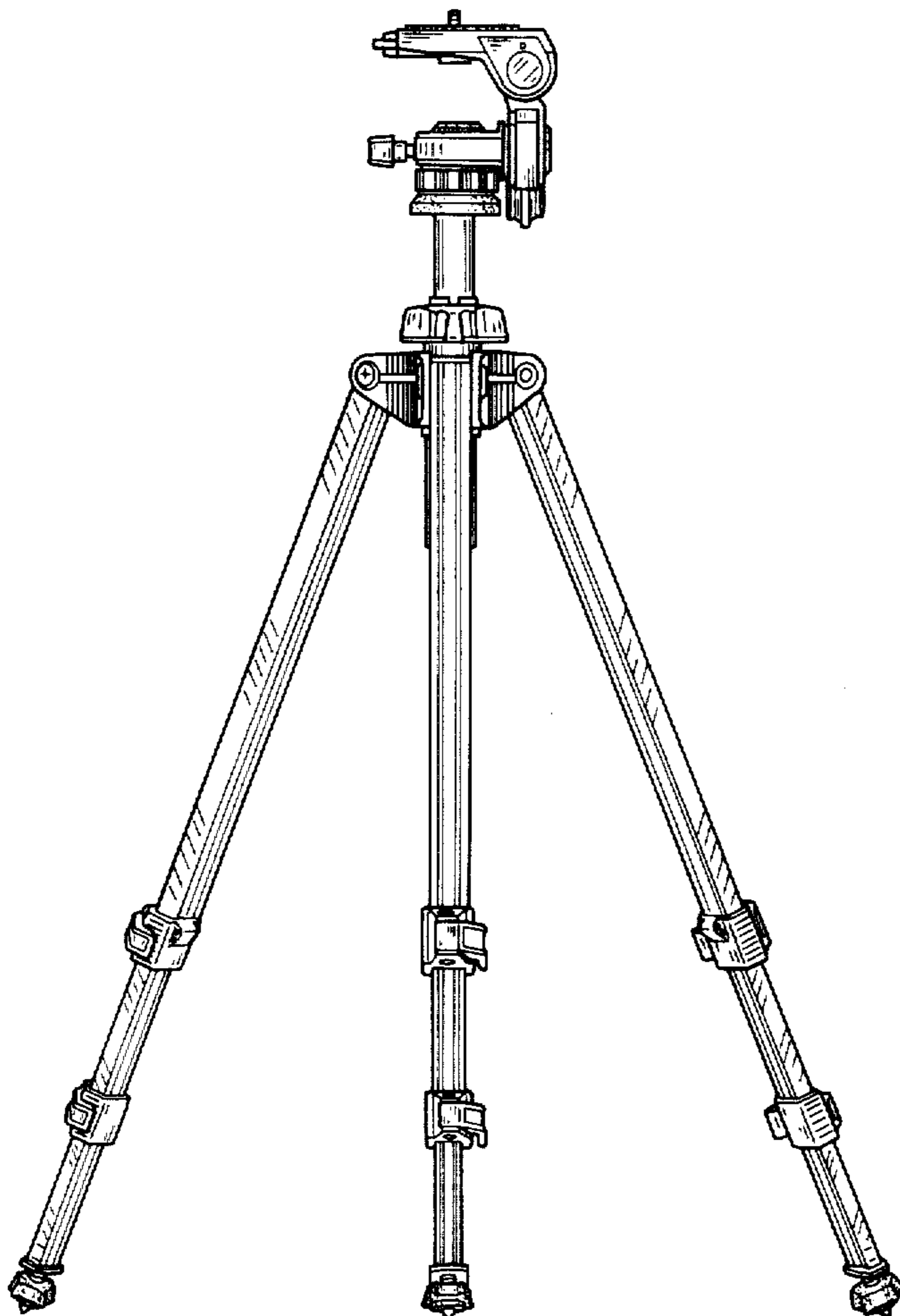


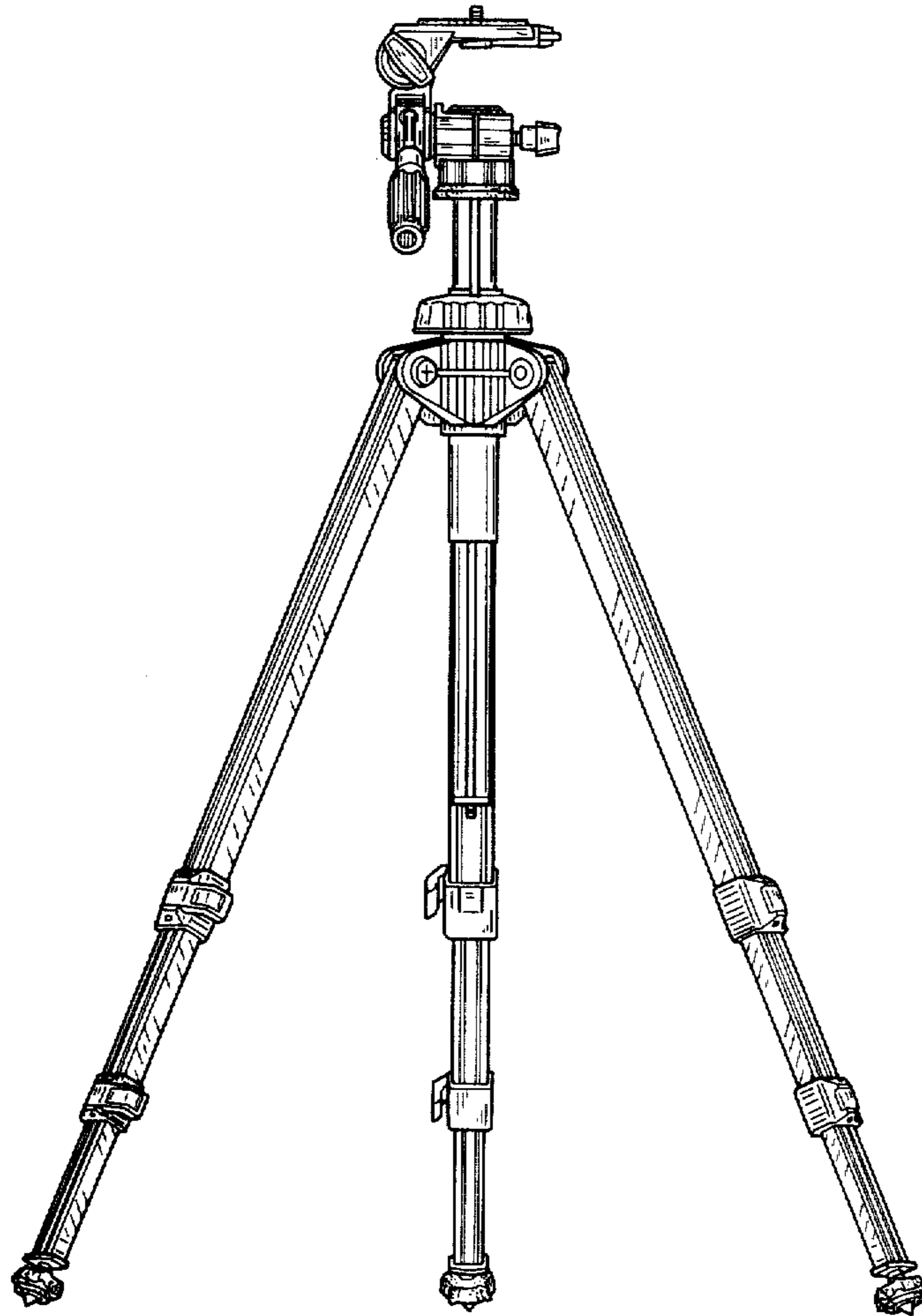
FIG. 8



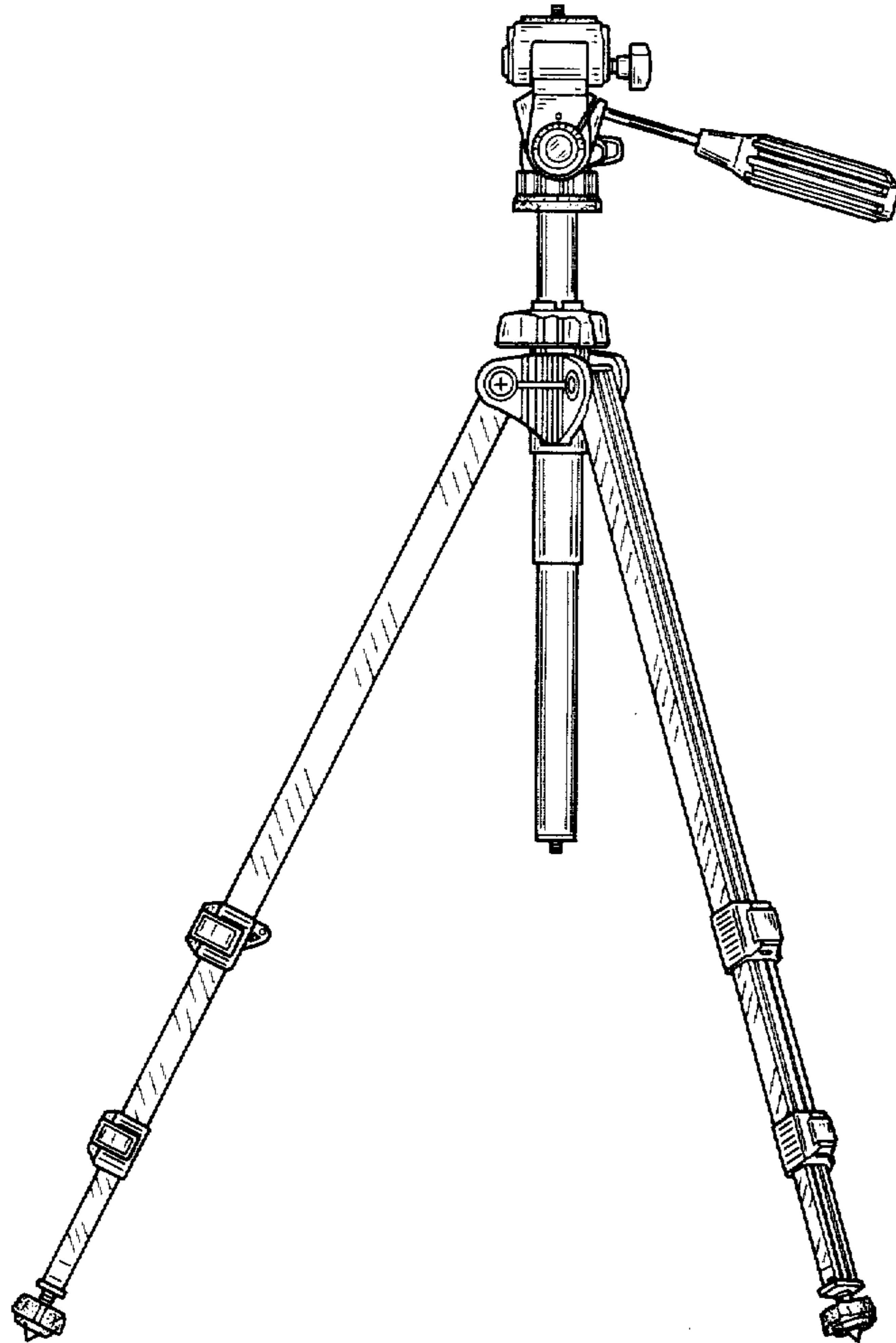
F I G. 9



F I G. 10



F I G. 11



F I G. 12

