

[54] ELECTROSTATIC COPIER

[75] Inventor: Toshio Yamamoto, Yokohama, Japan

[73] Assignee: Ricoh Company, Ltd., Tokyo, Japan

[**] Term: 7 Years

[21] Appl. No.: 109,060

[22] Filed: Jan. 2, 1980

[30] Foreign Application Priority Data

Jul. 13, 1979 [JP] Japan 54-29241

[51] Int. Cl. D16-03

[52] U.S. Cl. D16/31

[58] Field of Search D16/27, 28, 29, 30, D16/31; 355/3 R, 8, 9, 11, 12, 51

[56] References Cited

U.S. PATENT DOCUMENTS

- D. 224,665 8/1972 Hoffman D16/31
- D. 225,777 1/1973 Kakii D16/31
- D. 231,129 4/1974 Case D16/31
- D. 248,957 8/1978 Kitai D16/31

- D. 257,984 1/1981 Kurozumi D16/31
- 4,139,298 2/1979 Tani 355/11 X
- 4,247,192 1/1981 Komori 355/11 X

Primary Examiner—Nelson C. Holtje
Attorney, Agent, or Firm—Wyatt, Gerber, Shoup,
Scobey & Badie

[57] CLAIM

The ornamental design for an electrostatic copier, as shown and described.

DESCRIPTION

FIG. 1 is a right side front perspective view of an electrostatic copier, showing my new design.
 FIG. 2 is a right side elevational view thereof.
 FIG. 3 is a left side elevational view thereof.
 FIG. 4 is a front elevational view thereof.
 FIG. 5 is a top plan view thereof.
 FIG. 6 is a rear elevational view thereof.
 FIG. 7 is a bottom plan view thereof.
 FIG. 8 is a right side front perspective view thereof showing my new design with the paper input cassettes, receiving, and holding trays in their operative condition.

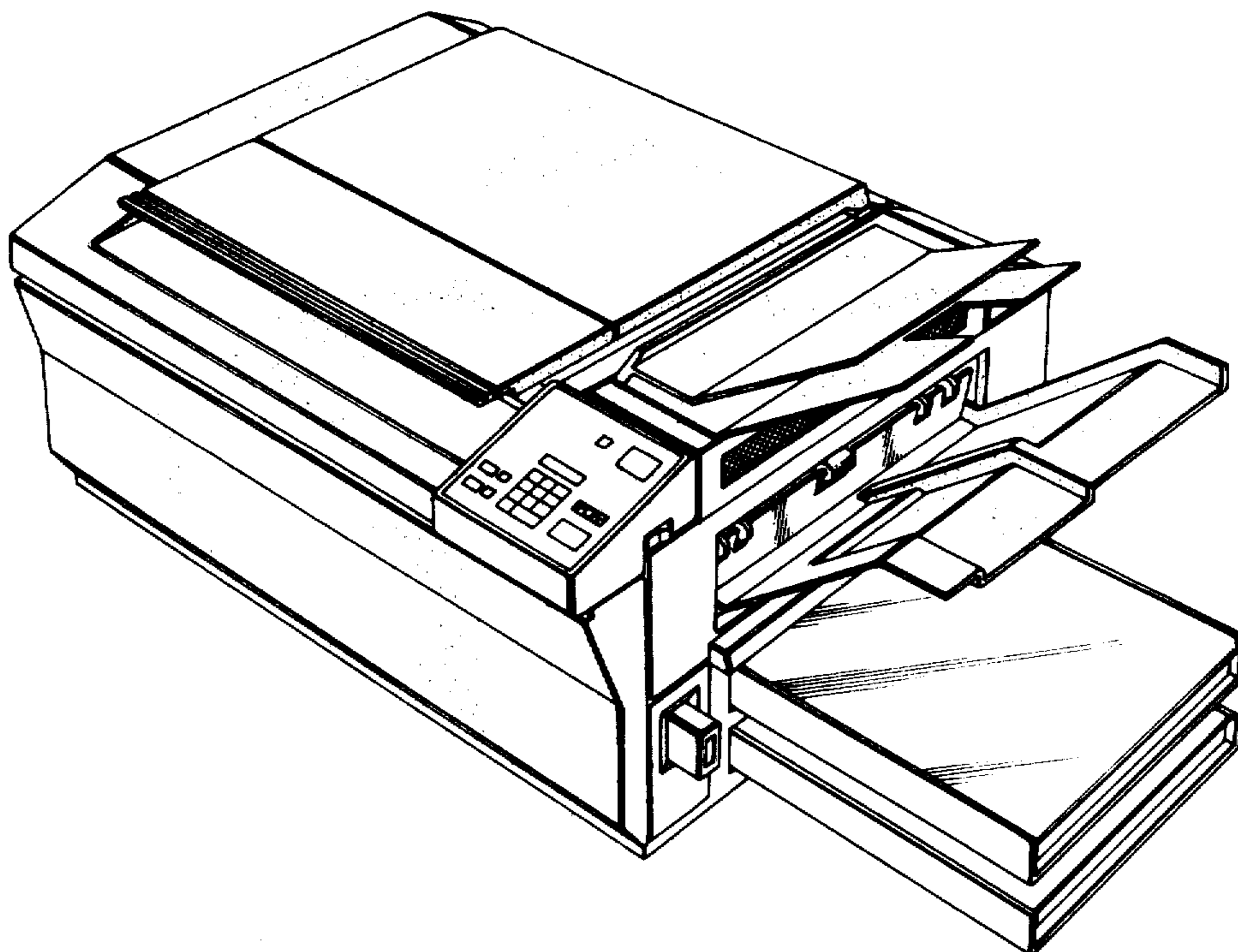


FIG.1

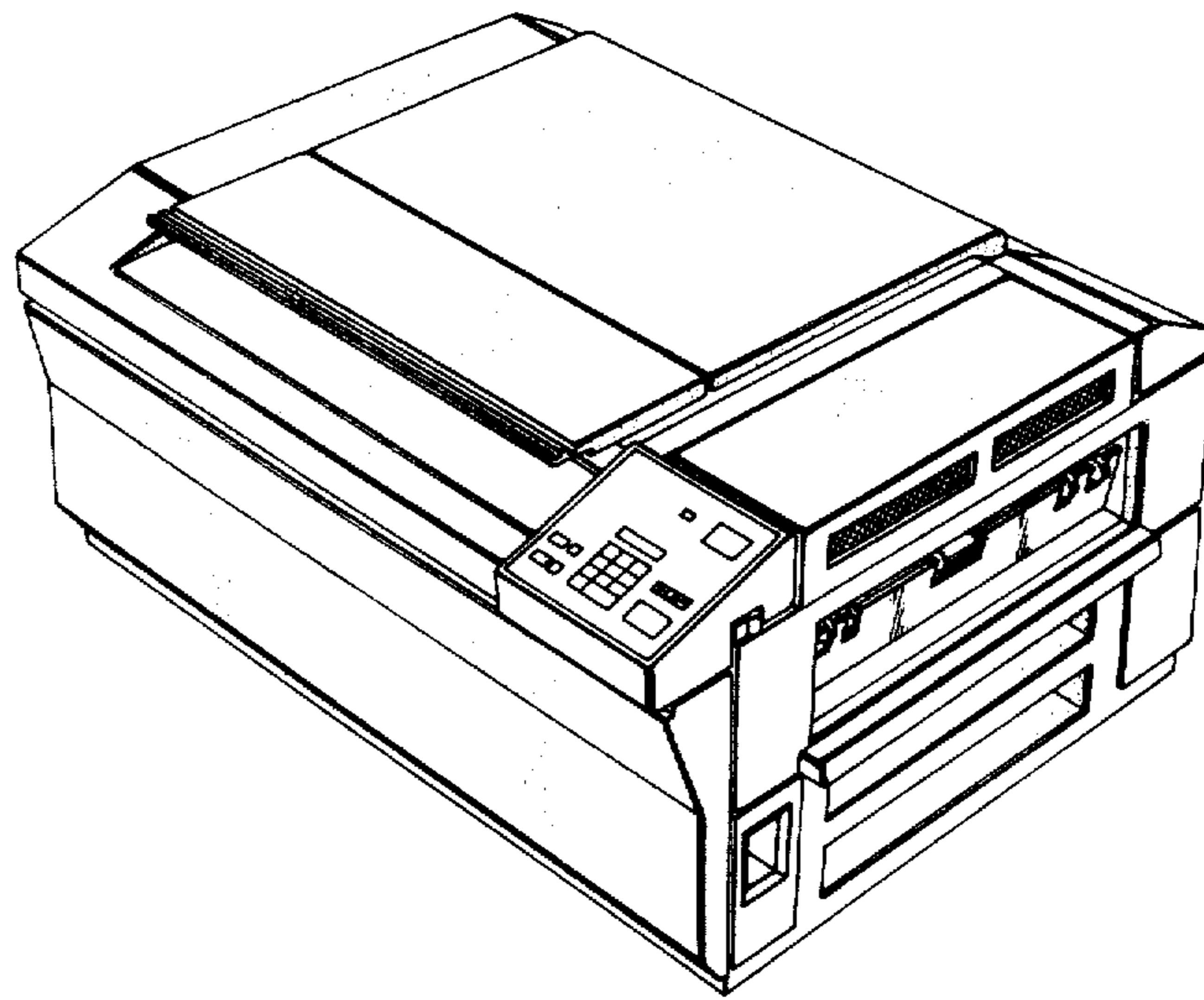


FIG.8

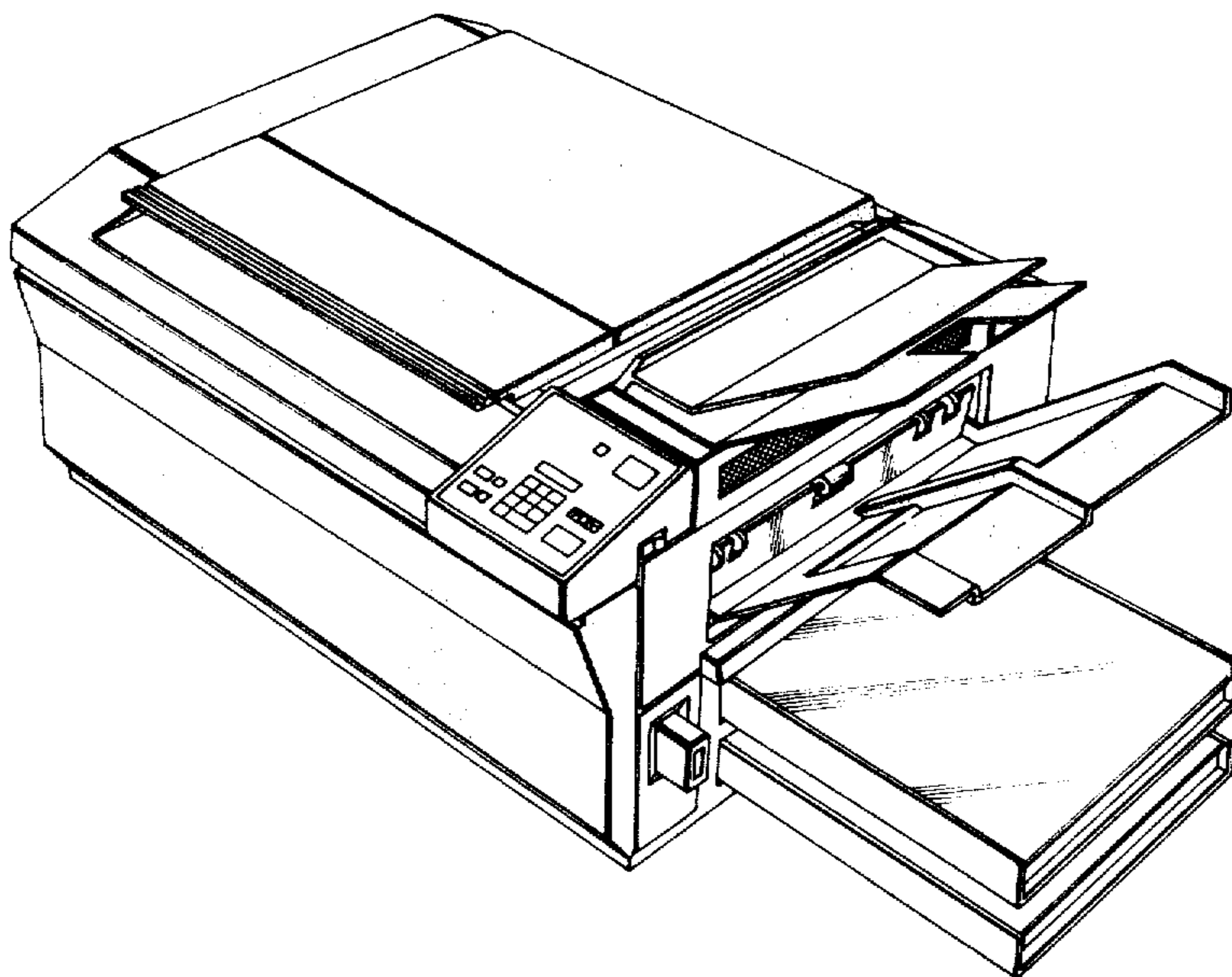


FIG. 2

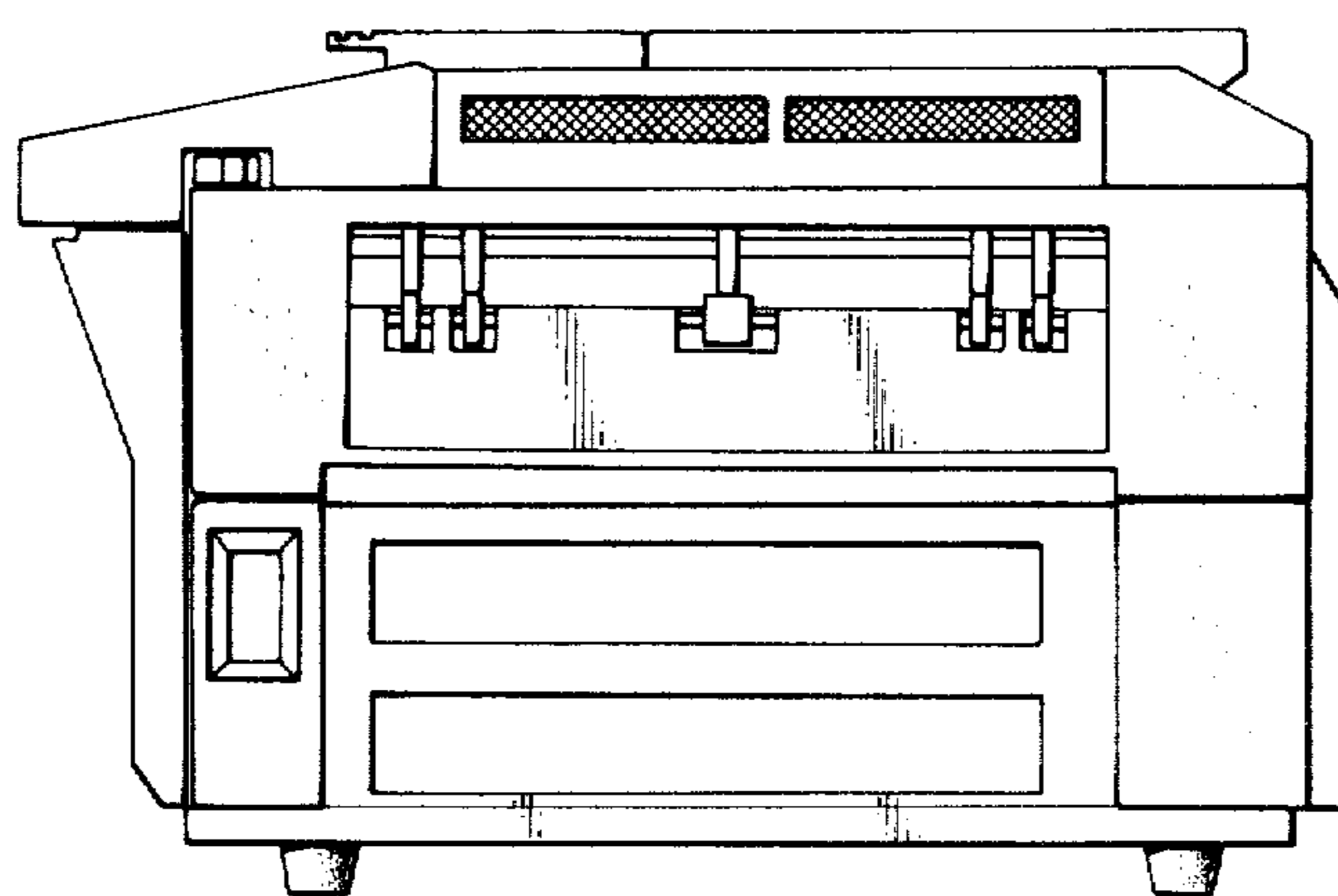


FIG. 3

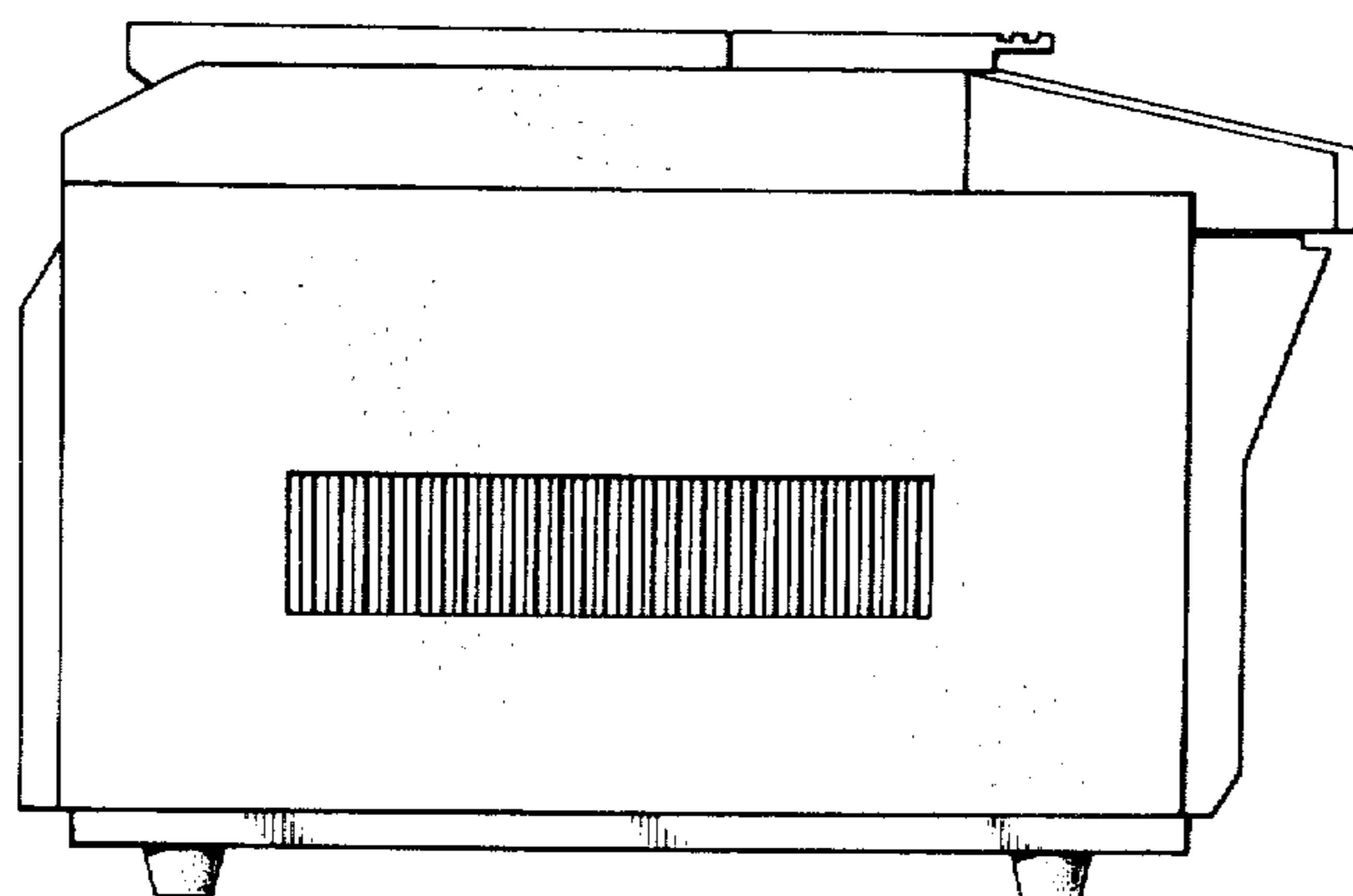


FIG. 4

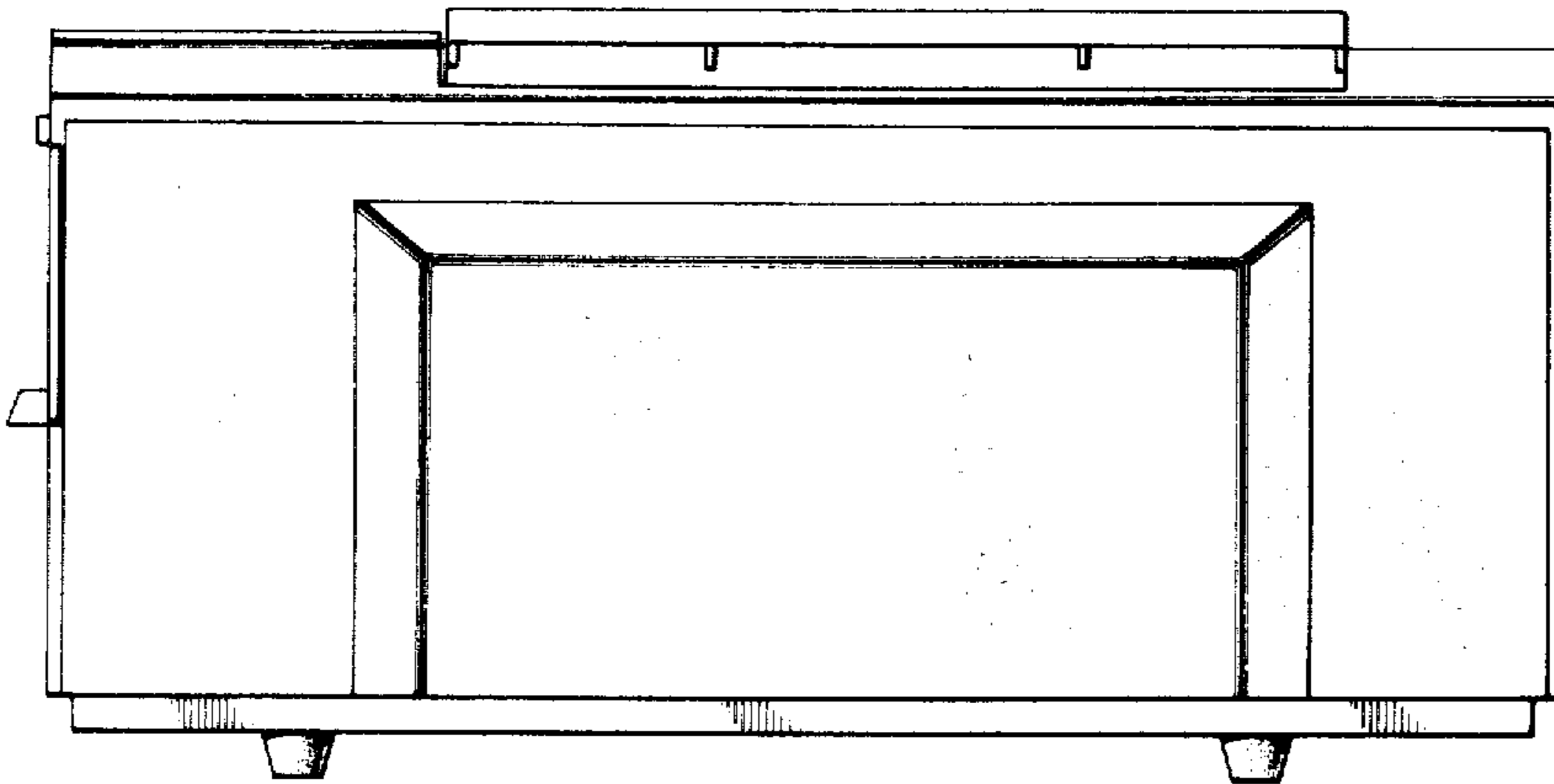


FIG. 5

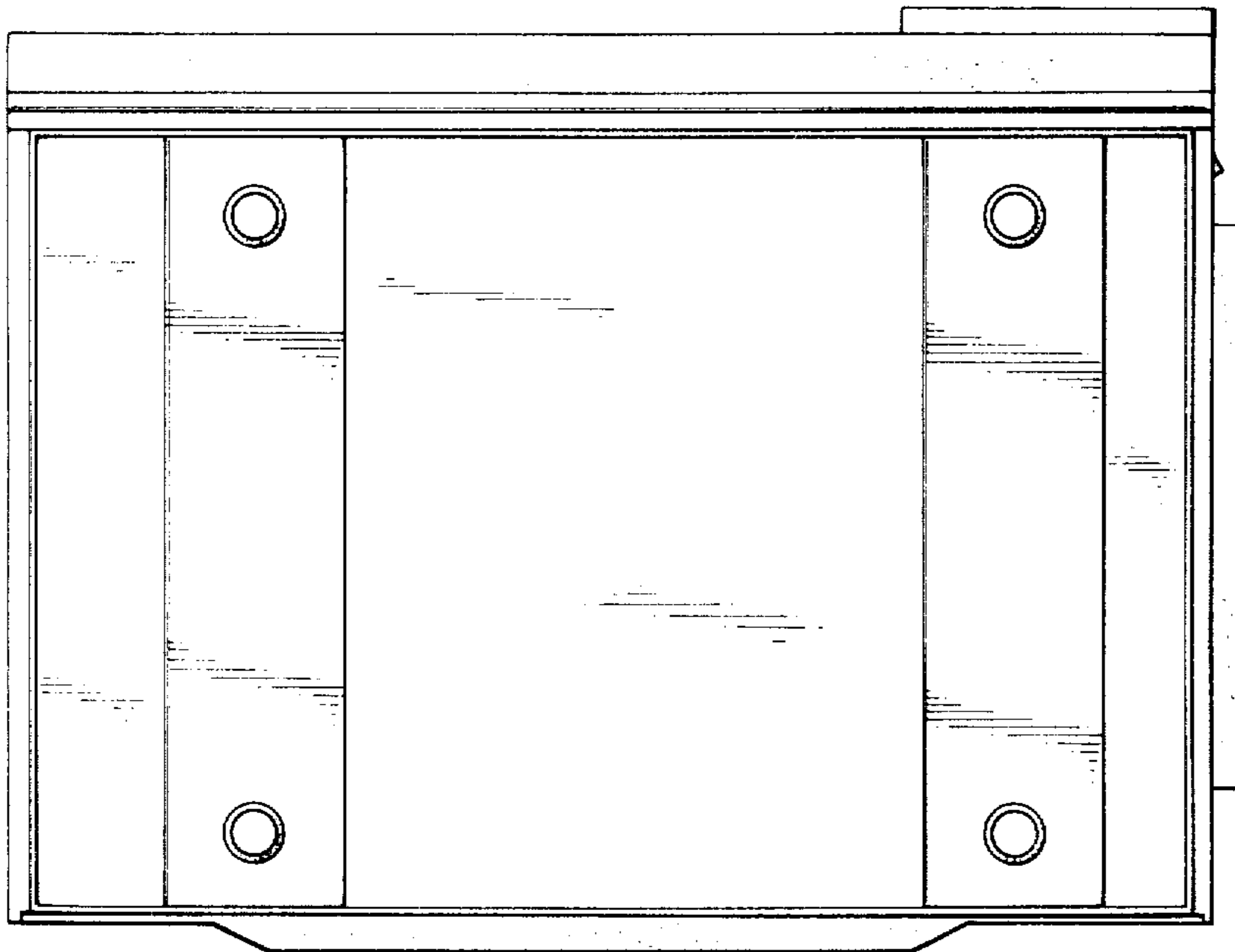


FIG. 6

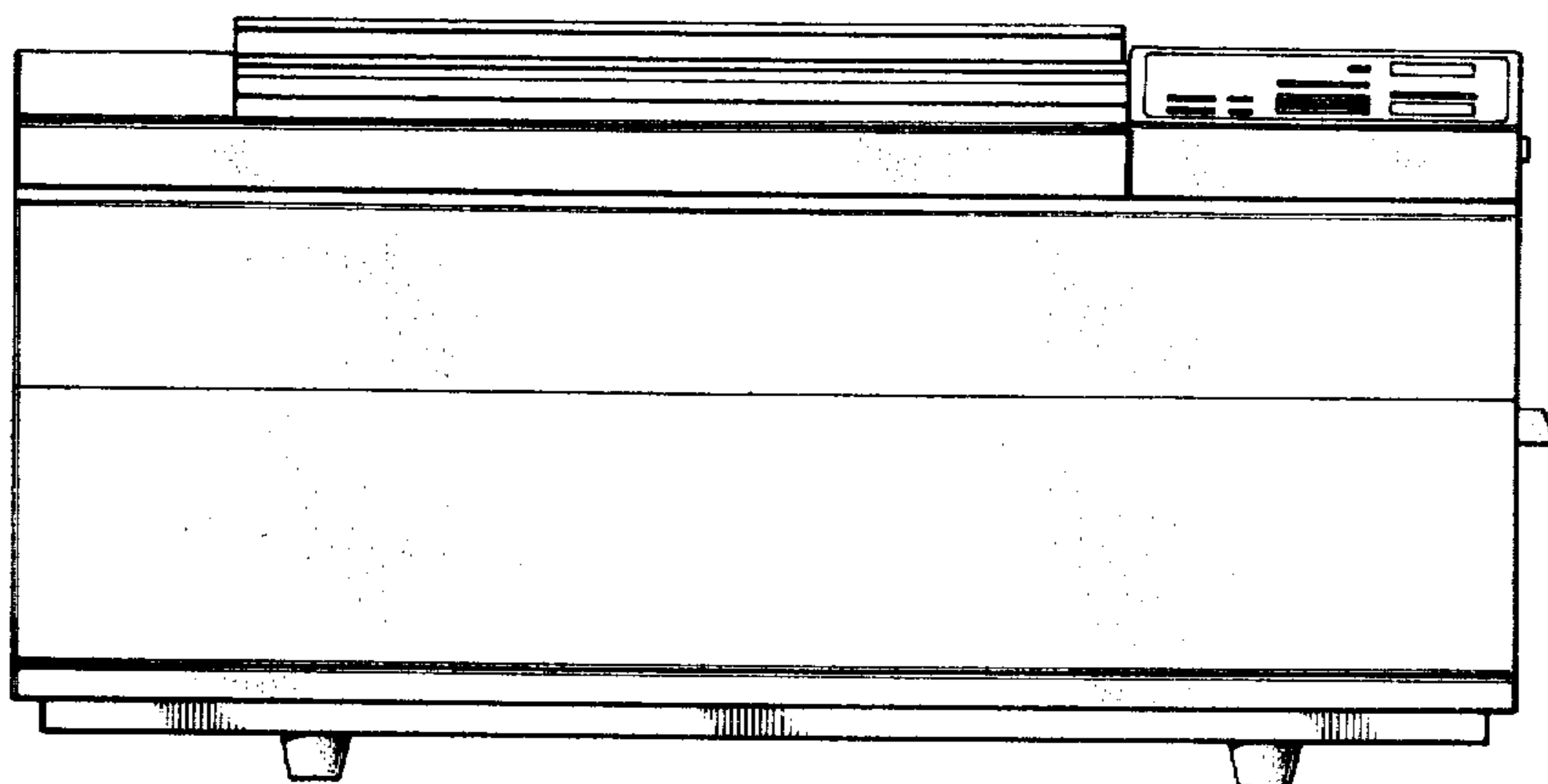


FIG. 7

