

[54] PORTABLE DETACHABLE STEP FOR MOUNTING ON BUMPERS OF VEHICLES

[75] Inventor: Mark T. Mitchell, Scottsdale, Ariz.

[73] Assignee: Marco Mfg., Inc., Scottsdale, Ariz.

[\*\*] Term: 14 Years

[21] Appl. No.: 119,589

[22] Filed: Feb. 7, 1980

[51] Int. Cl. .... D12-16

[52] U.S. Cl. .... D12/203; D25/62; D25/69

[58] Field of Search ..... D25/62, 63, 65, 68, D25/69; D12/203; 280/166, 291, 163, 164 R, 164 A

[56] References Cited

U.S. PATENT DOCUMENTS

- D. 24,742 10/1895 Hummel ..... D12/203
- 1,373,366 3/1921 Stanwood ..... D12/203 X

- 3,329,443 7/1967 Lowder et al. .... 280/166
- 3,734,534 5/1973 Brooks et al. .... 280/163
- 3,980,319 9/1976 Kirkpatrick ..... 280/166

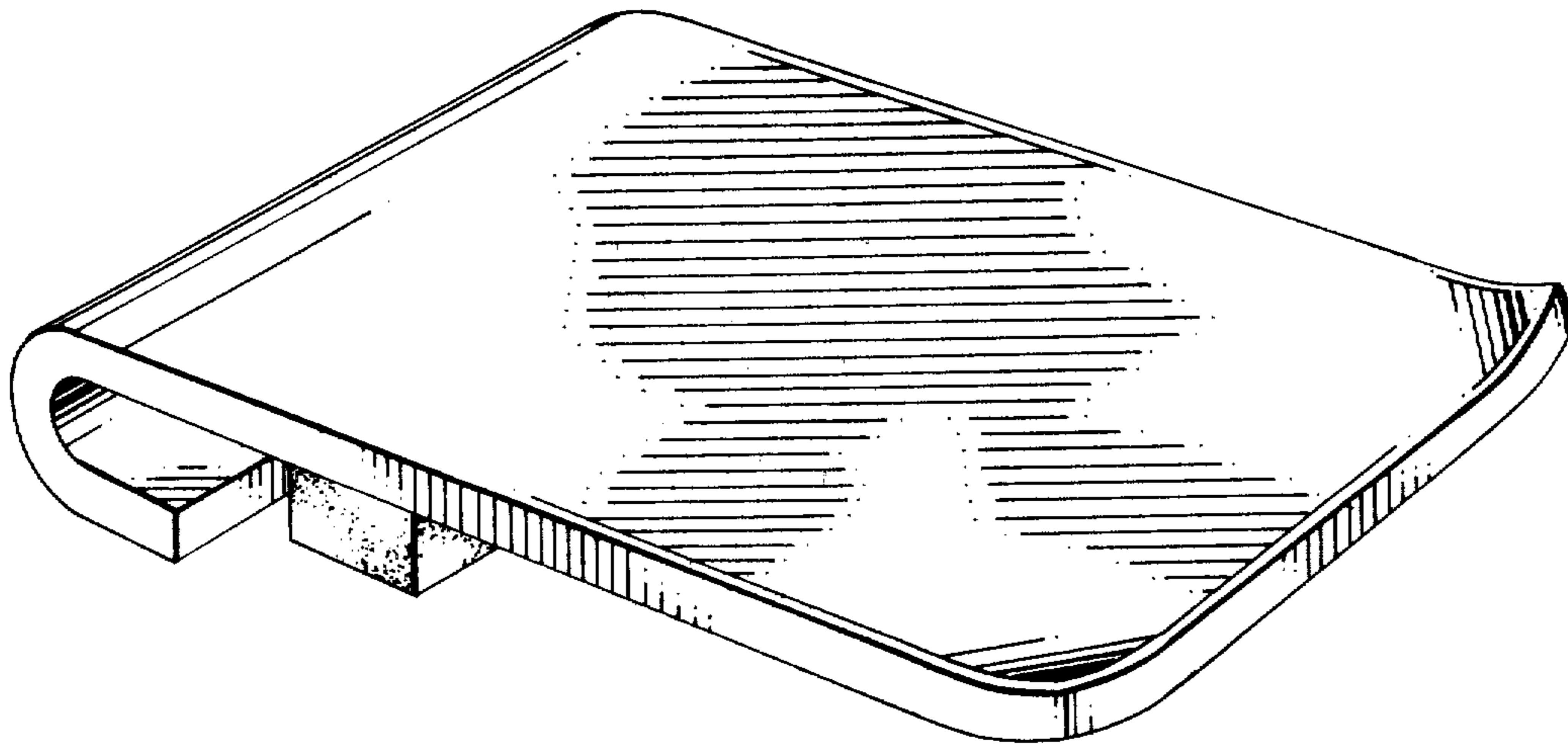
Primary Examiner—A. Hugo Word  
Attorney, Agent, or Firm—Warren F. B. Lindsley

[57] CLAIM

The ornamental design for the portable detachable step for mounting on bumpers of vehicles, as shown and described.

DESCRIPTION

FIG. 1 is a perspective view of the top end and one side of the portable detachable step for mounting on bumpers of vehicles embodying the invention;  
 FIG. 2 is a perspective view of the same end, side and bottom of the step shown in FIG. 1;  
 FIG. 3 is a view of the other side of the step shown in FIG. 1;  
 FIG. 4 is a view of the other end of the step shown in FIG. 1; and  
 FIG. 5 is a right end view of the step shown in FIG. 1.



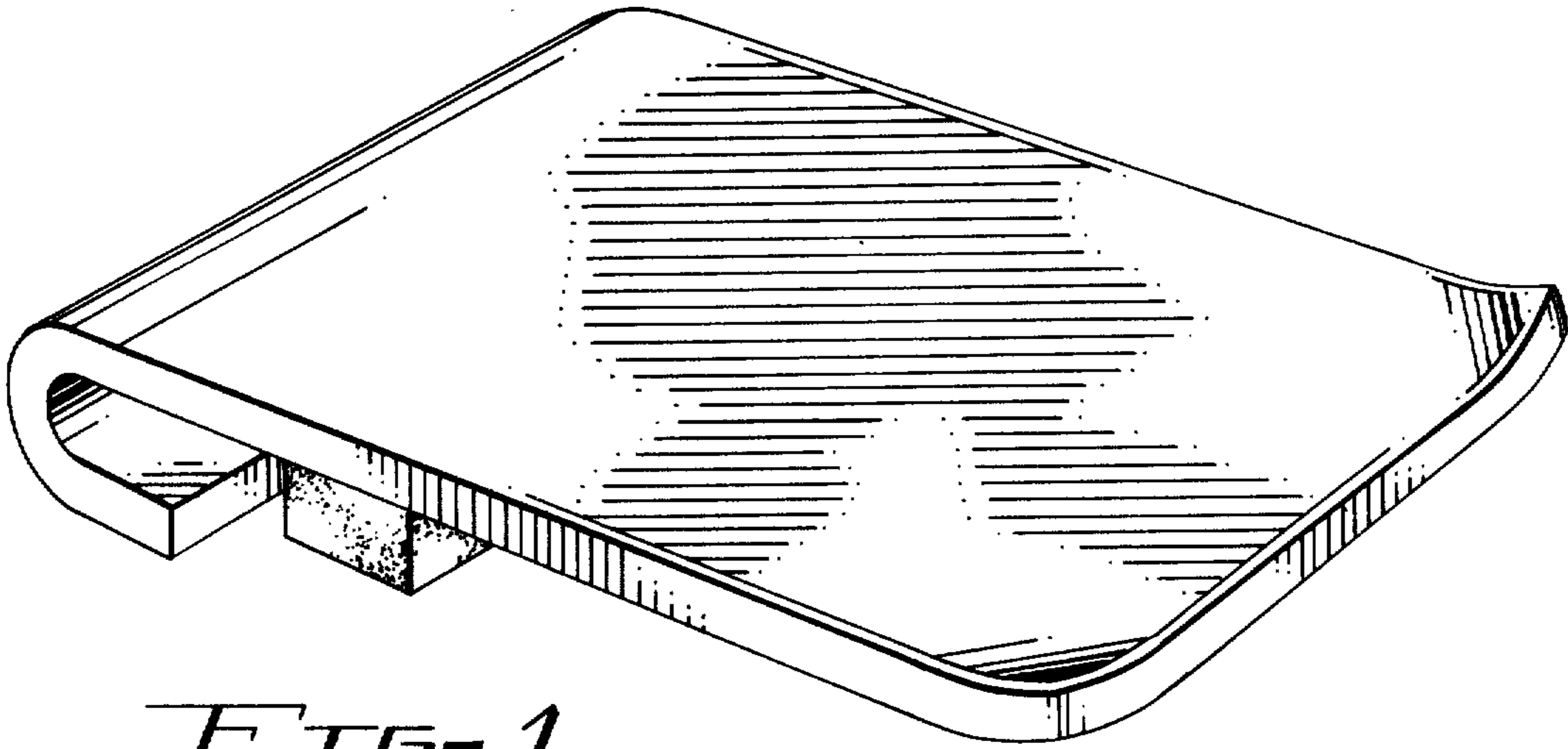


FIG. 1

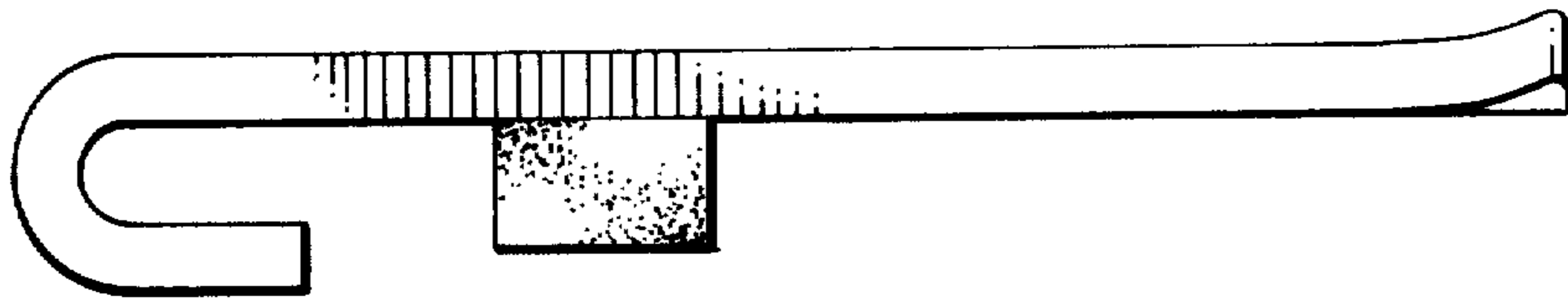


FIG. 3



FIG. 5

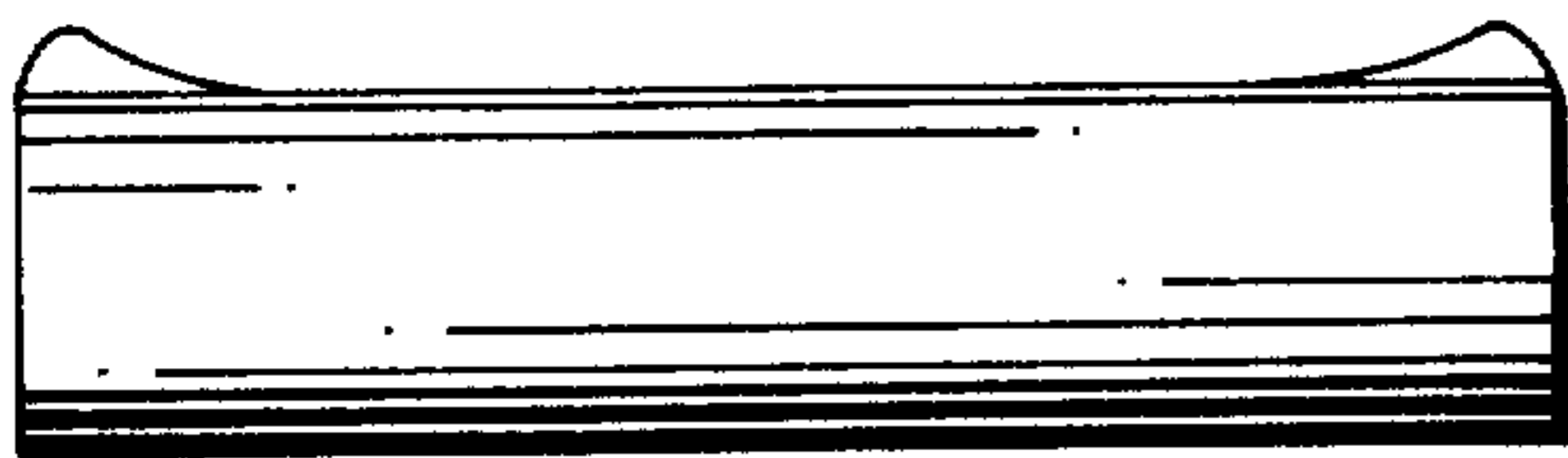


FIG. 4

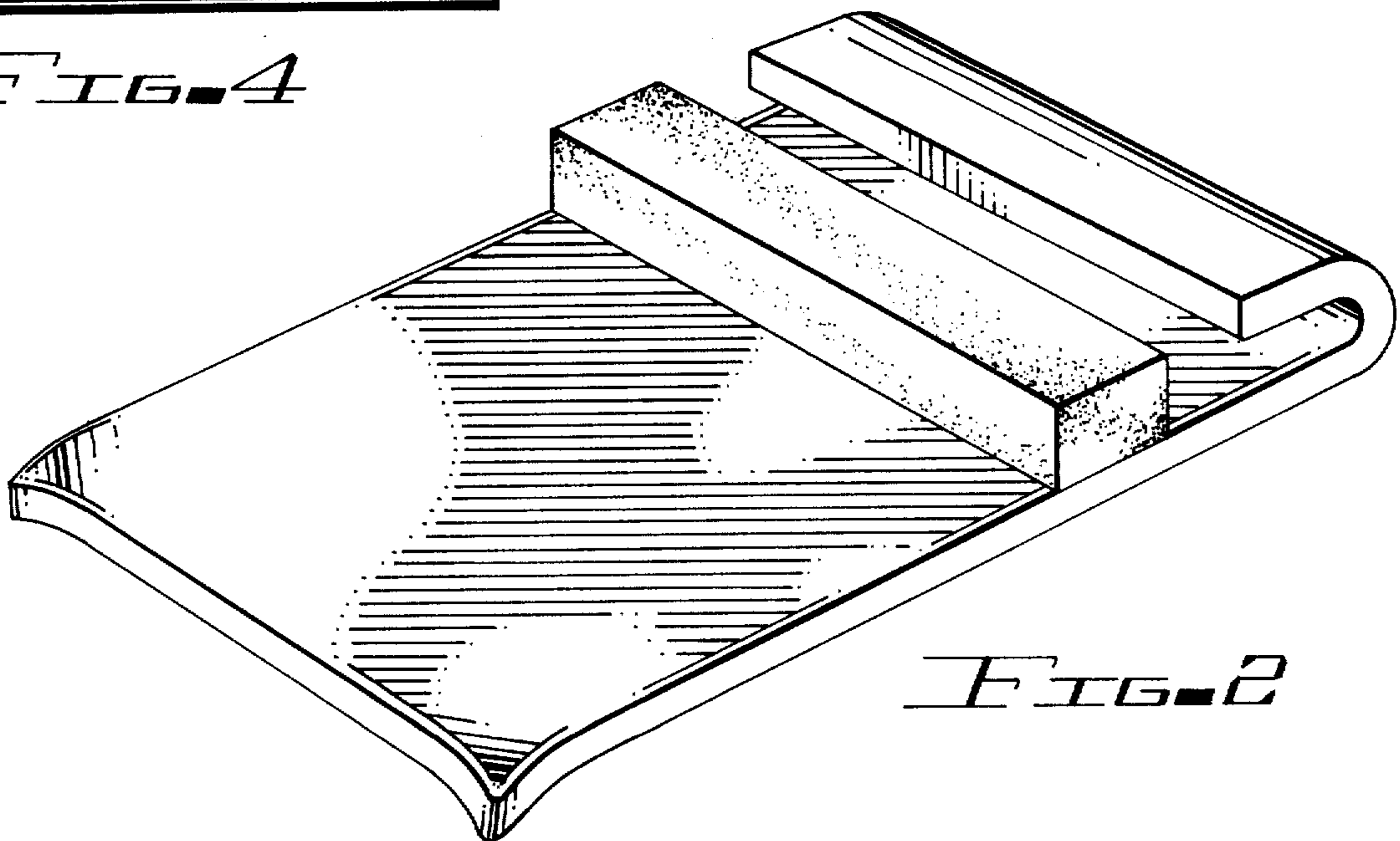


FIG. 2