

[54] FLOOR JACK

[75] Inventors: Donald W. Glover, Jr., Feasterville; Edward J. Dadura, Sr., Churchville, both of Pa.

[73] Assignee: Philmont Steel Products, Inc., Huntingdon Valley, Pa.

[**] Term: 14 Years

[21] Appl. No.: 88,236

[22] Filed: Oct. 25, 1979

[51] Int. Cl. D12-05

[52] U.S. Cl. D34/31

[58] Field of Search D12/55; 254/2 B, 2 C, 254/8 B, 8 C, 9 B, 9 C, 10 B, 10 C

[56] References Cited

U.S. PATENT DOCUMENTS

- D. 216,034 11/1969 Gaarder et al. D12/55
- D. 245,493 8/1977 Kenig D12/55

OTHER PUBLICATIONS

- J. C. Whitney Catalog No. 376 A, ©1978, p. 63, Portable Hydraulic Service Jack, top right side of page.
- Foxcraft Hydraulic Floor Jack Model #HFJ-31 Flyer, Model #CFJ-3000 Flyer.
- Hollywood Accessories Model 646 Hydraulic Floor Roller Jack Flyer, Model 649 Hydraulic Floor Roller Jack Flyer.

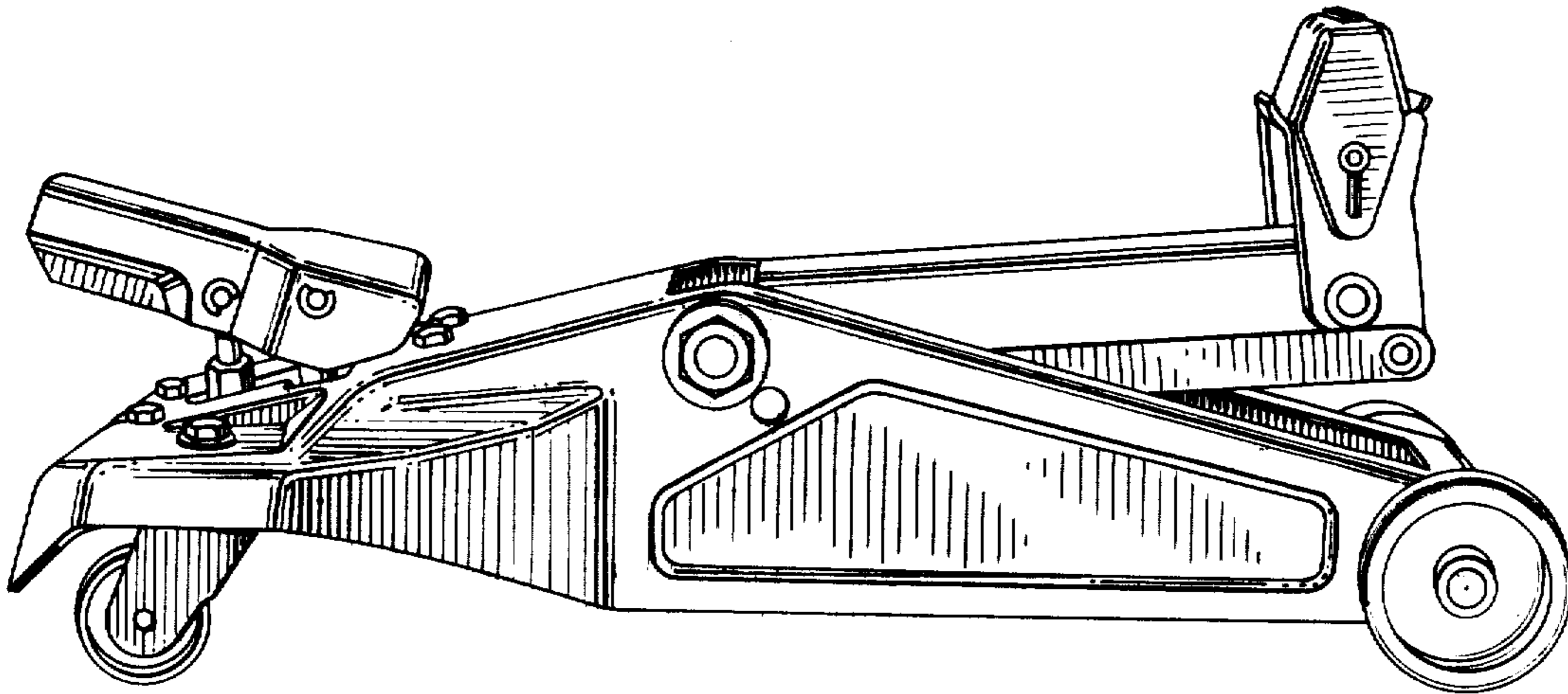
Primary Examiner—James M. Gandy
Attorney, Agent, or Firm—Steele, Gould & Fried

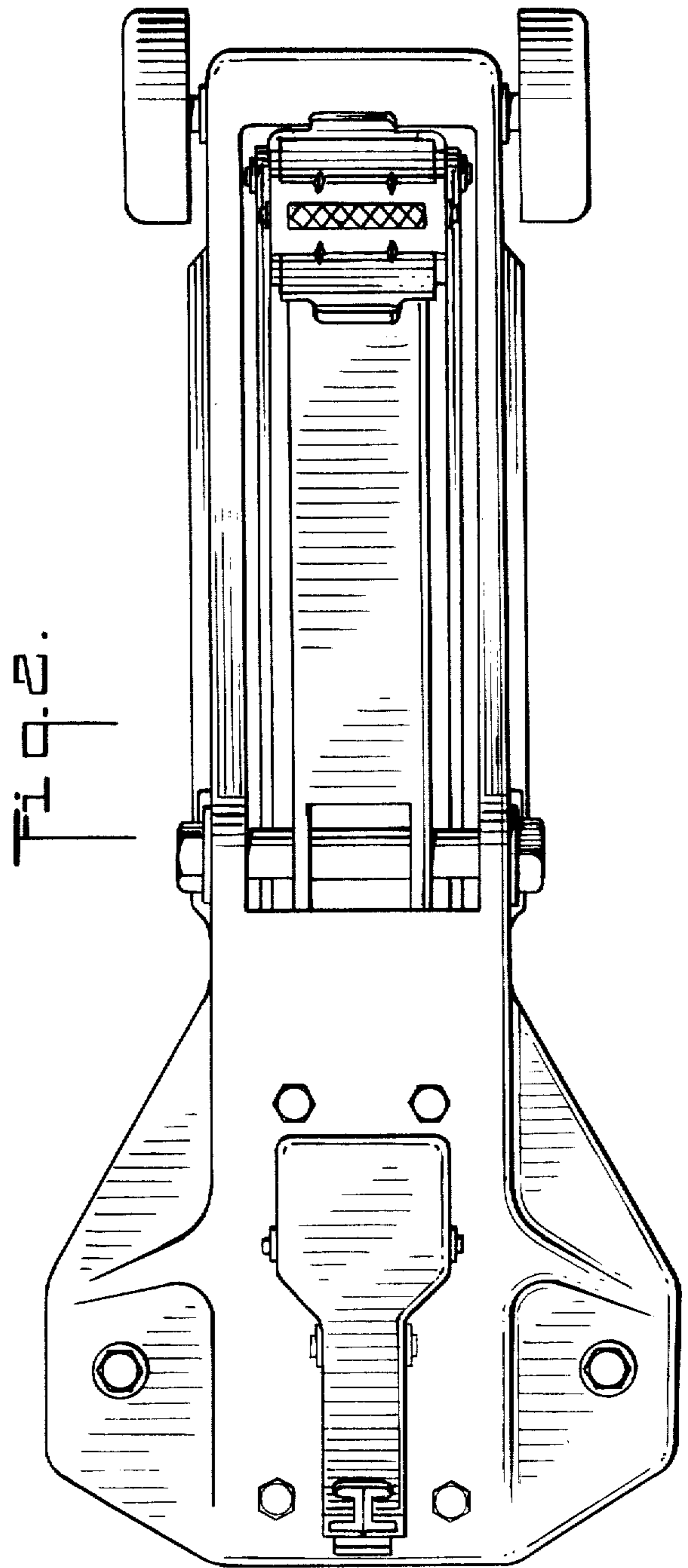
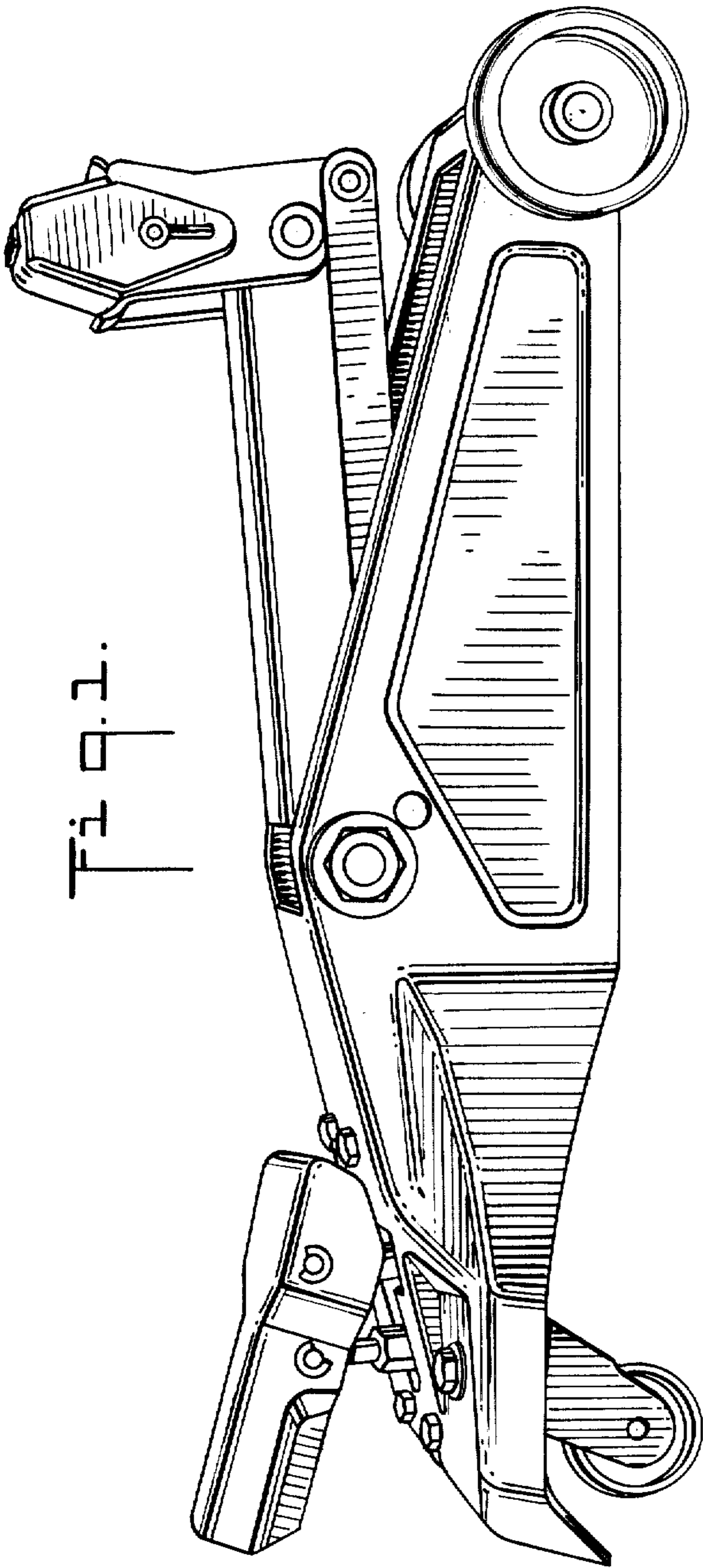
[57] CLAIM

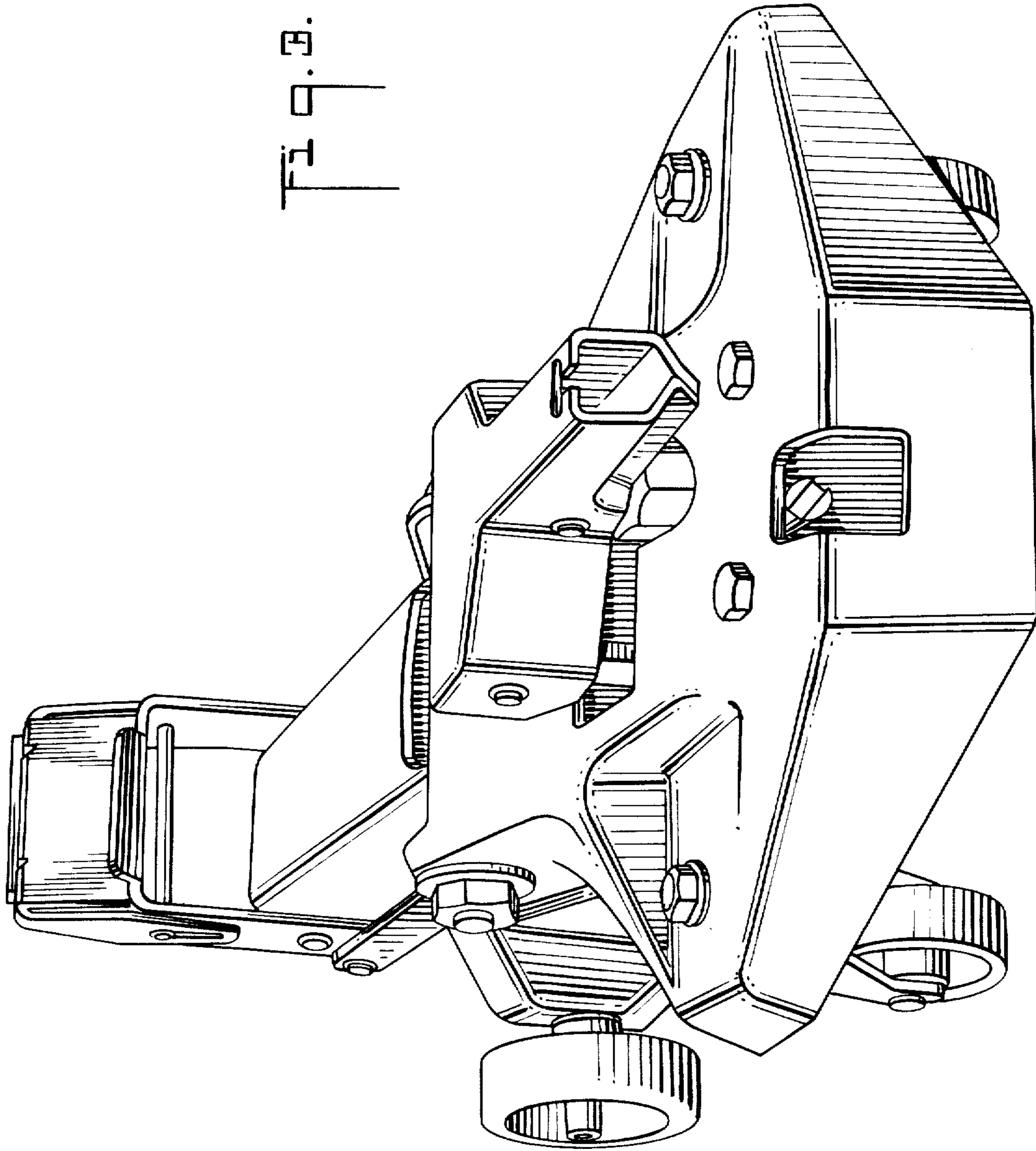
The ornamental design for a floor jack, as shown and described.

DESCRIPTION

FIG. 1 is a side perspective view of a floor jack in a raised position showing our new design, the opposite side being a mirror image thereof;
 FIG. 2 is a top plan view of FIG. 1;
 FIG. 3 is a front perspective view of FIG. 1;
 FIG. 4 is a rear perspective view of FIG. 1.







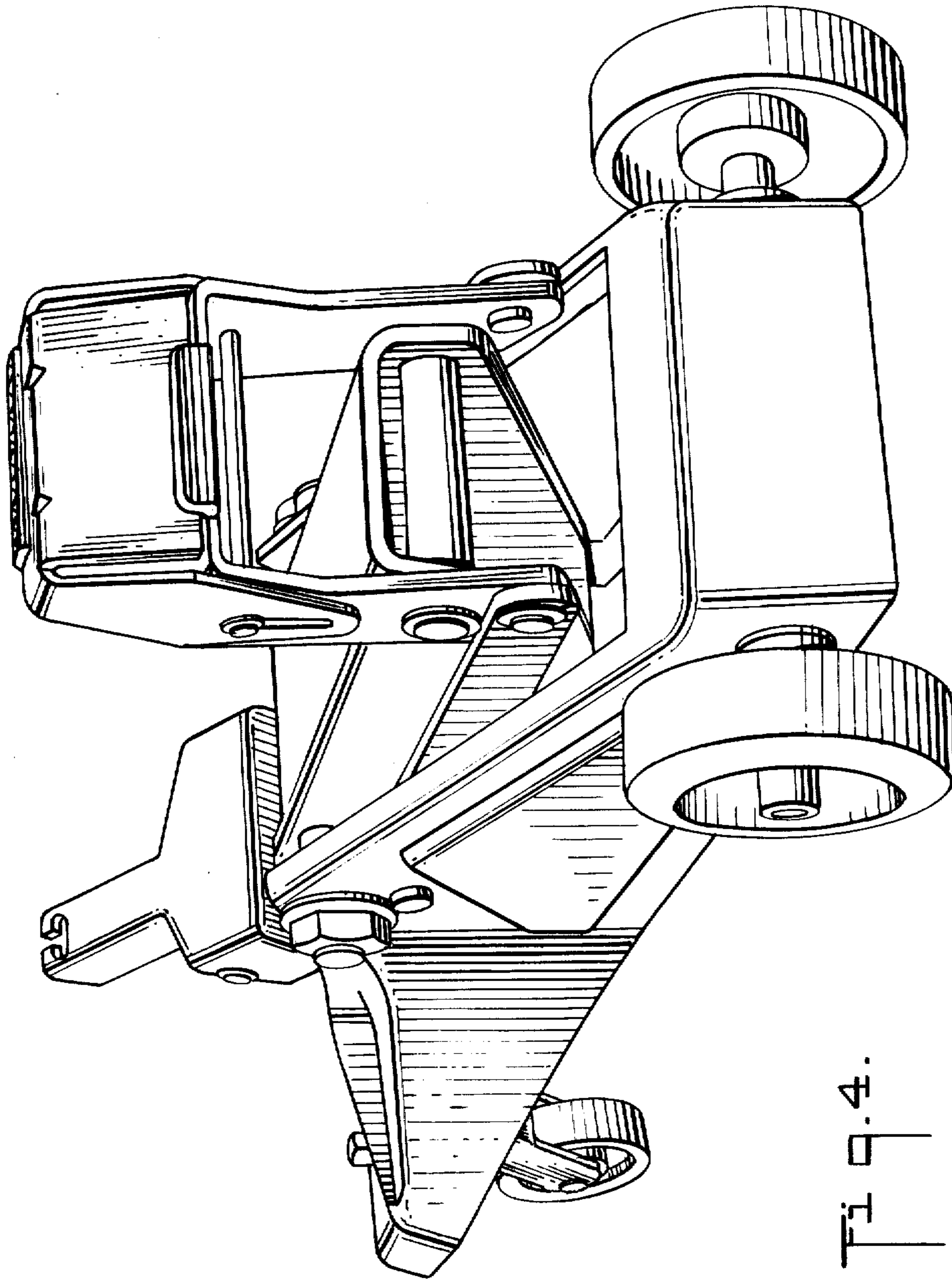


FIG. 4.