

[54] **LUGGAGE CART WITH ADULT SEAT**
 [75] Inventor: **James M. Muellner**, White Bear Lake, Minn.
 [73] Assignee: **Smarte Carte, Inc.**, White Bear Lake, Minn.
 [**] Term: **14 Years**
 [21] Appl. No.: **36,212**
 [22] Filed: **May 4, 1979**
 [51] Int. Cl. **D12-02**
 [52] U.S. Cl. **D34/18**
 [58] Field of Search 280/47.34, 47.35, 47.38, 280/47.41, 33.99 B, 63; D12/26, 29, 22

2,583,196 1/1952 Zander 280/59
 2,796,155 6/1957 Cabler 188/167
 2,992,010 7/1961 Sides 280/33.99
 3,497,234 2/1968 Schray 280/33.99
 3,978,959 9/1976 Muellner 194/4 R

Primary Examiner—James M. Gandy
Attorney, Agent, or Firm—Merchant, Gould, Smith, Edell, Welter & Schmidt

[57] **CLAIM**

The ornamental design for a luggage cart with adult seat, as shown and described.

DESCRIPTION

FIG. 1 is a front perspective view of a luggage cart with adult seat, showing my new design;
 FIG. 2 is a view in top plan thereof, on an enlarged scale;
 FIG. 3 is a side elevational view thereof, on an enlarged scale;
 FIG. 4 is a front elevational view thereof, of an enlarged scale;
 FIG. 5 is a back perspective view thereof; and
 FIG. 6 is a bottom plan view thereof, on an enlarged scale.

[56] **References Cited**

U.S. PATENT DOCUMENTS

D. 206,116 11/1966 Hughes D12/26
 D. 230,142 1/1974 Muellner D12/22
 D. 240,297 6/1976 Trubiano D12/29
 D. 246,301 11/1977 Trubiano D12/29
 2,435,733 2/1948 Belyeu 155/41
 2,443,236 6/1948 Gallagher 280/50
 2,470,040 5/1949 Mackin 280/41

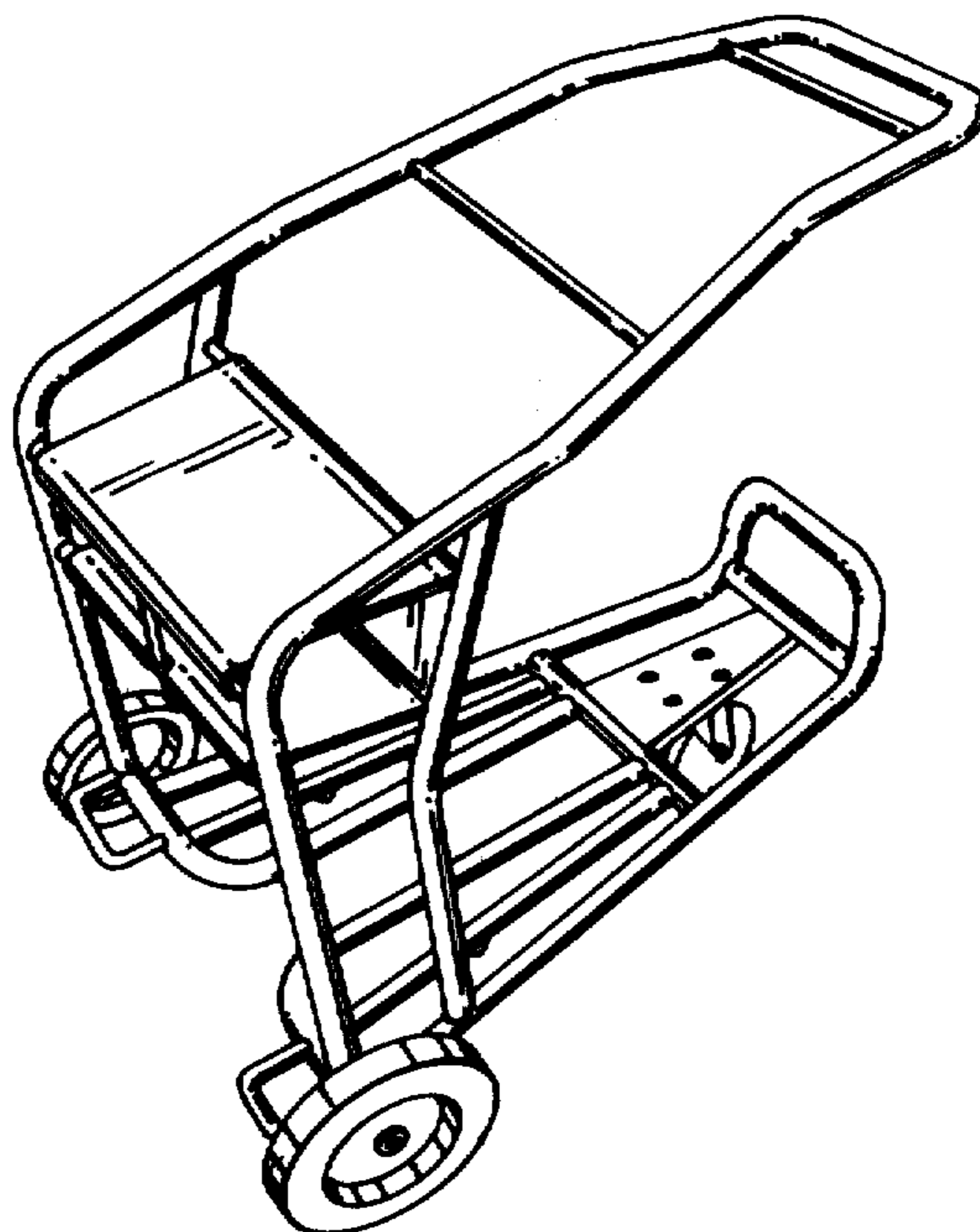


FIG. 1

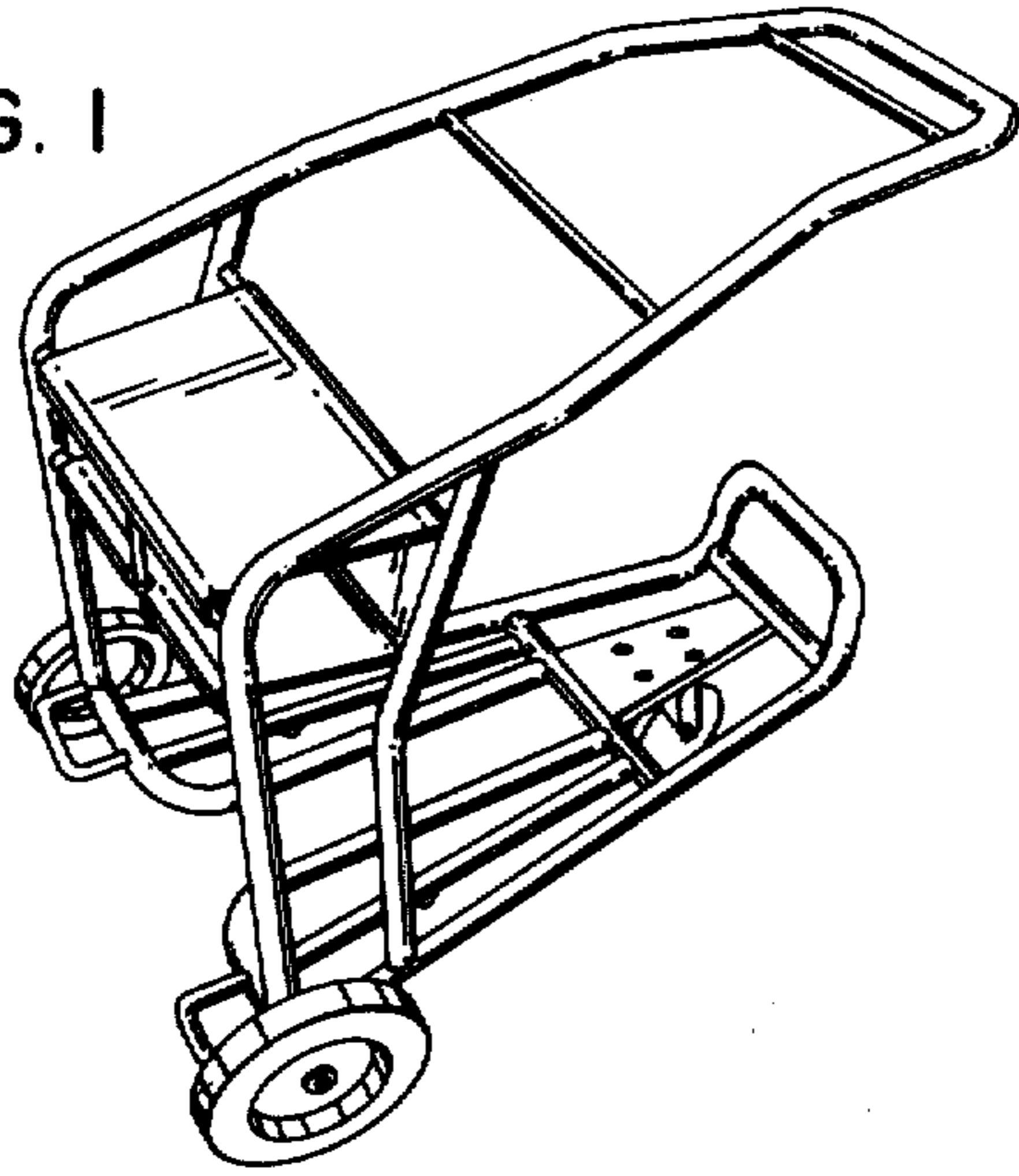


FIG. 2

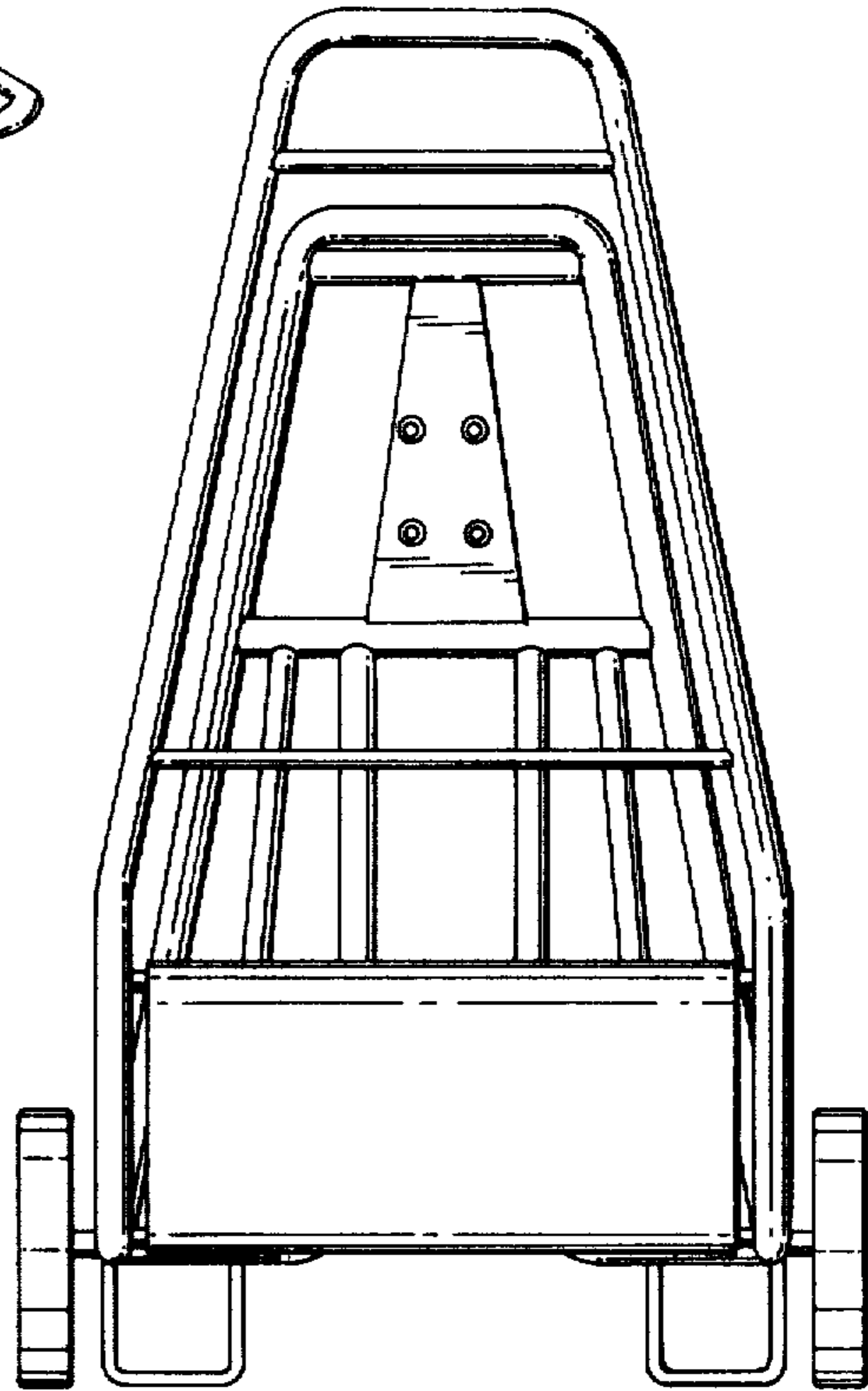
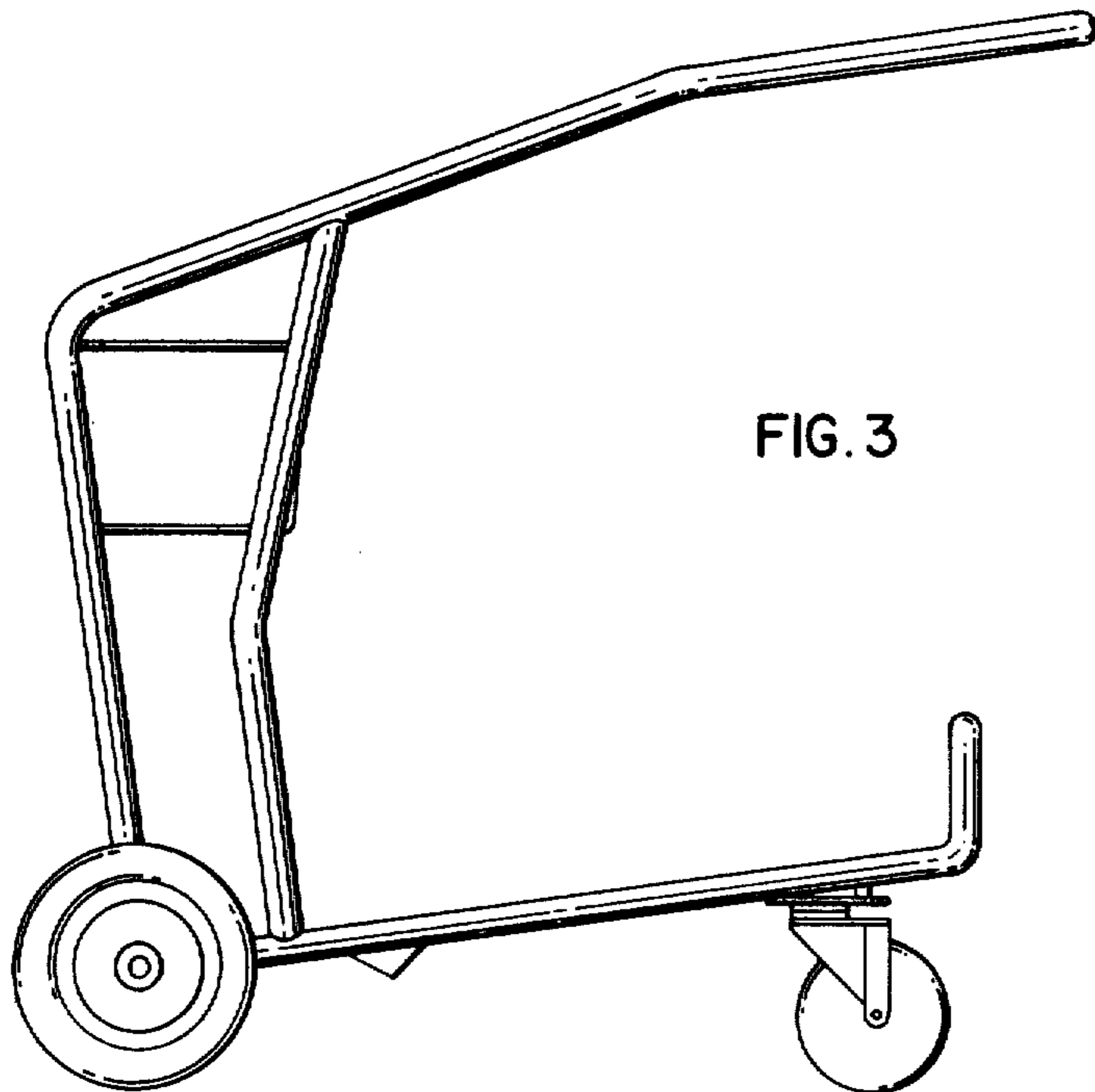


FIG. 3



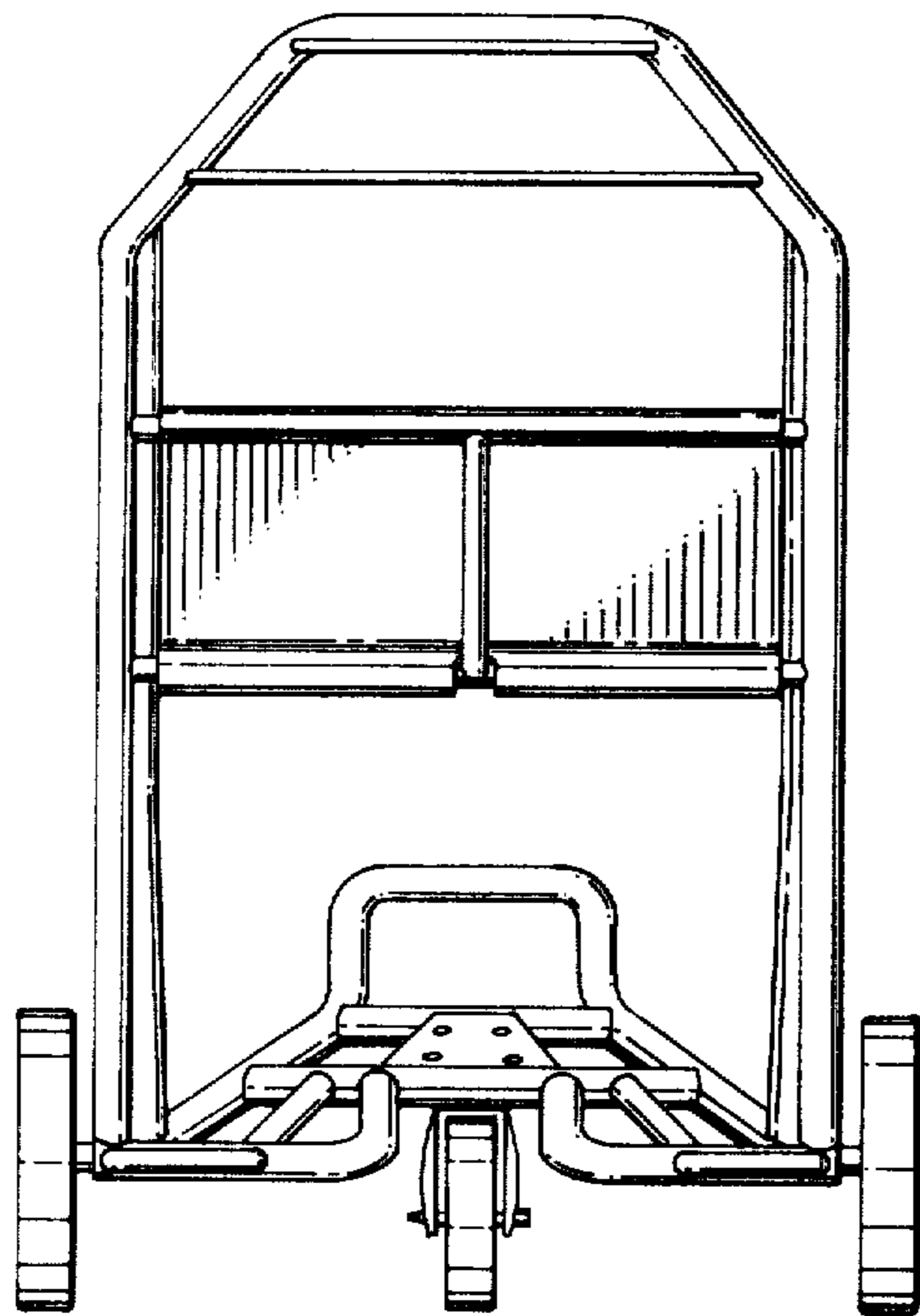


FIG. 4

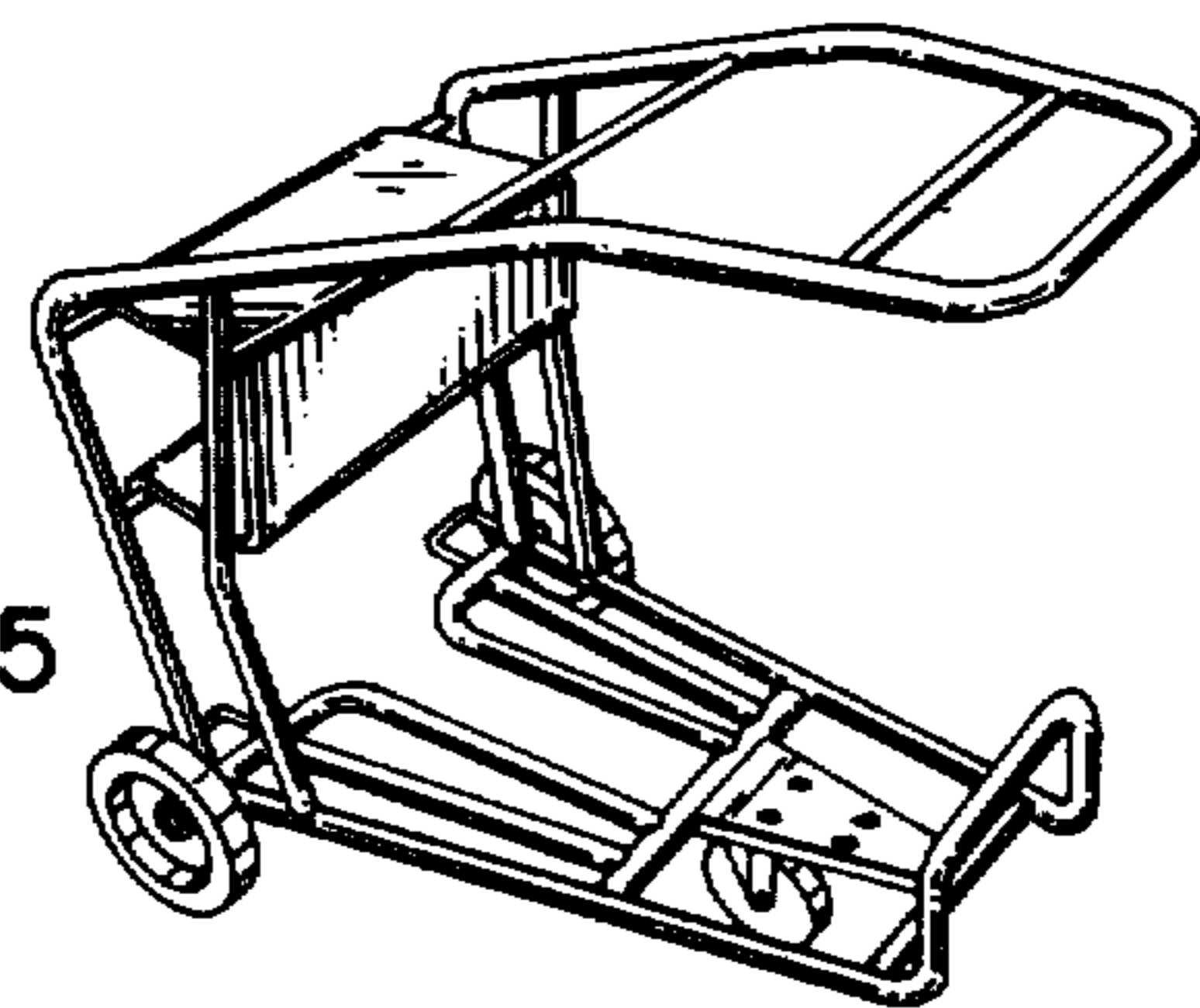


FIG. 5

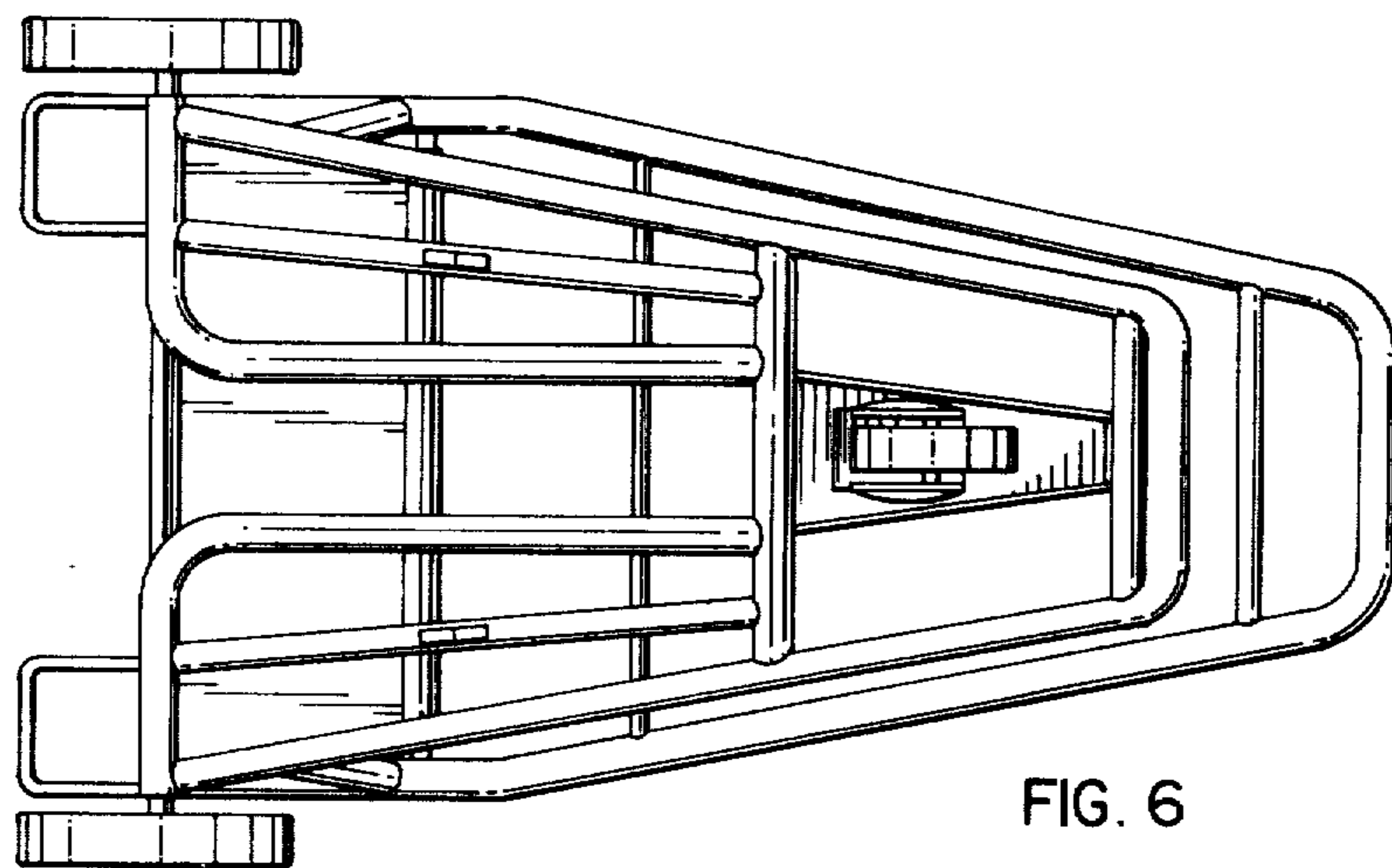


FIG. 6