

[54] DISPLAY BOX

[76] Inventor: Wilma J. Lowry, 1221 S. Wheeling Way, Aurora, Colo. 80012

[**] Term: 14 Years

[21] Appl. No.: 100,512

[22] Filed: Dec. 5, 1979

[51] Int. Cl. D9-03

[52] U.S. Cl. D9/432

[58] Field of Search D9/432, 414; 229/30, 229/41 R; 206/44 R, 45.29, 45.31; D99/44

[56] References Cited

U.S. PATENT DOCUMENTS

- D. 101,753 10/1936 Nathanson D9/432
- D. 244,430 5/1977 Larkin D9/432

- 3,650,383 3/1972 Nigro 206/45.31
- 3,856,064 12/1974 Swalleri 229/41 R X

Primary Examiner—Robert C. Spangler
Attorney, Agent, or Firm—Kyle W. Rost

[57] CLAIM

The ornamental design for a display box, substantially as shown and described.

DESCRIPTION

FIG. 1 is a front isometric view of a display box showing my new design;
 FIG. 2 is a rear isometric view;
 FIG. 3 is a rear elevational view;
 FIG. 4 is a top plan view;
 FIG. 5 is a front elevational view;
 FIG. 6 is a side elevational view, the opposite side being a mirror image thereof; and
 FIG. 7 is a bottom view thereof.

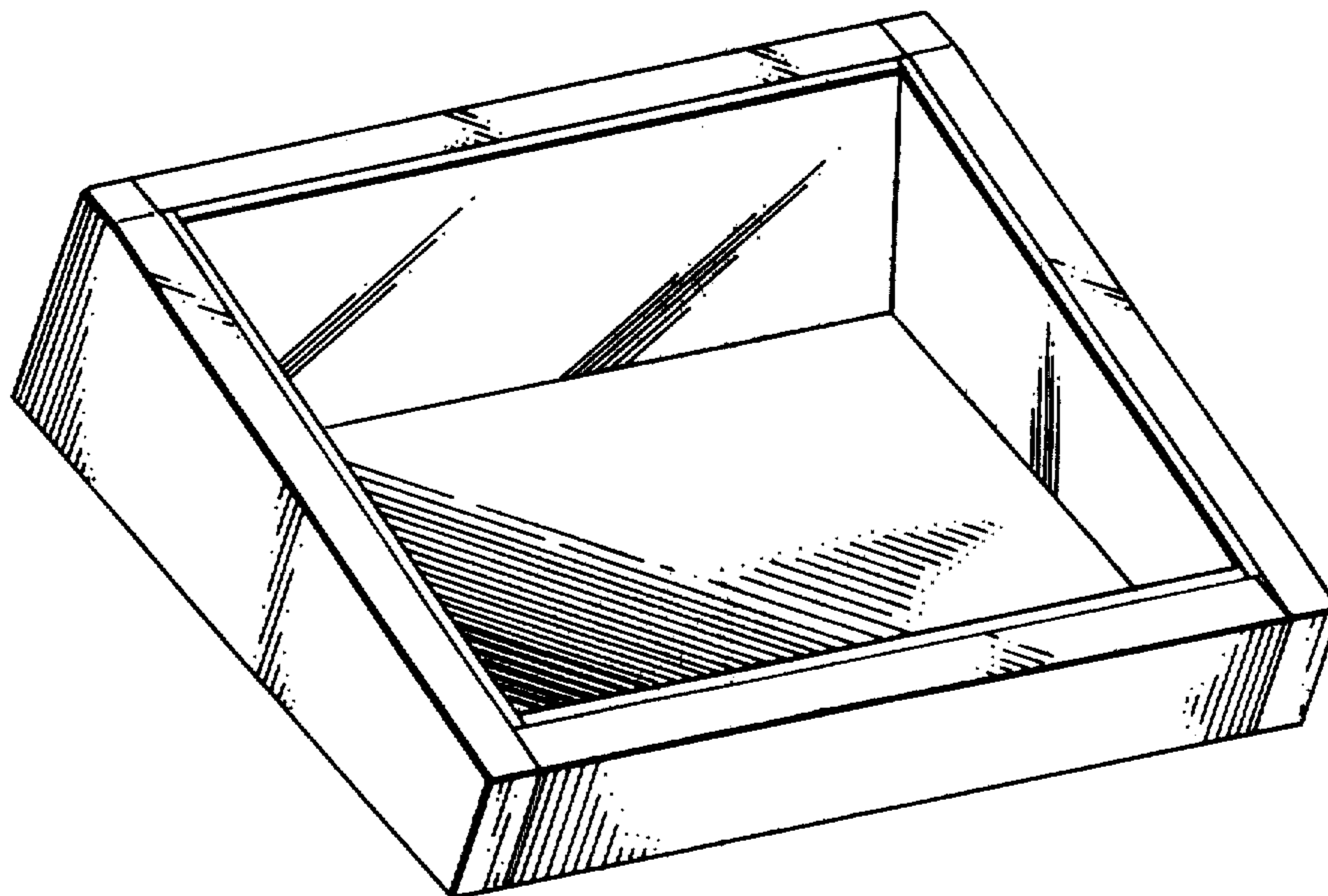


Fig.-1

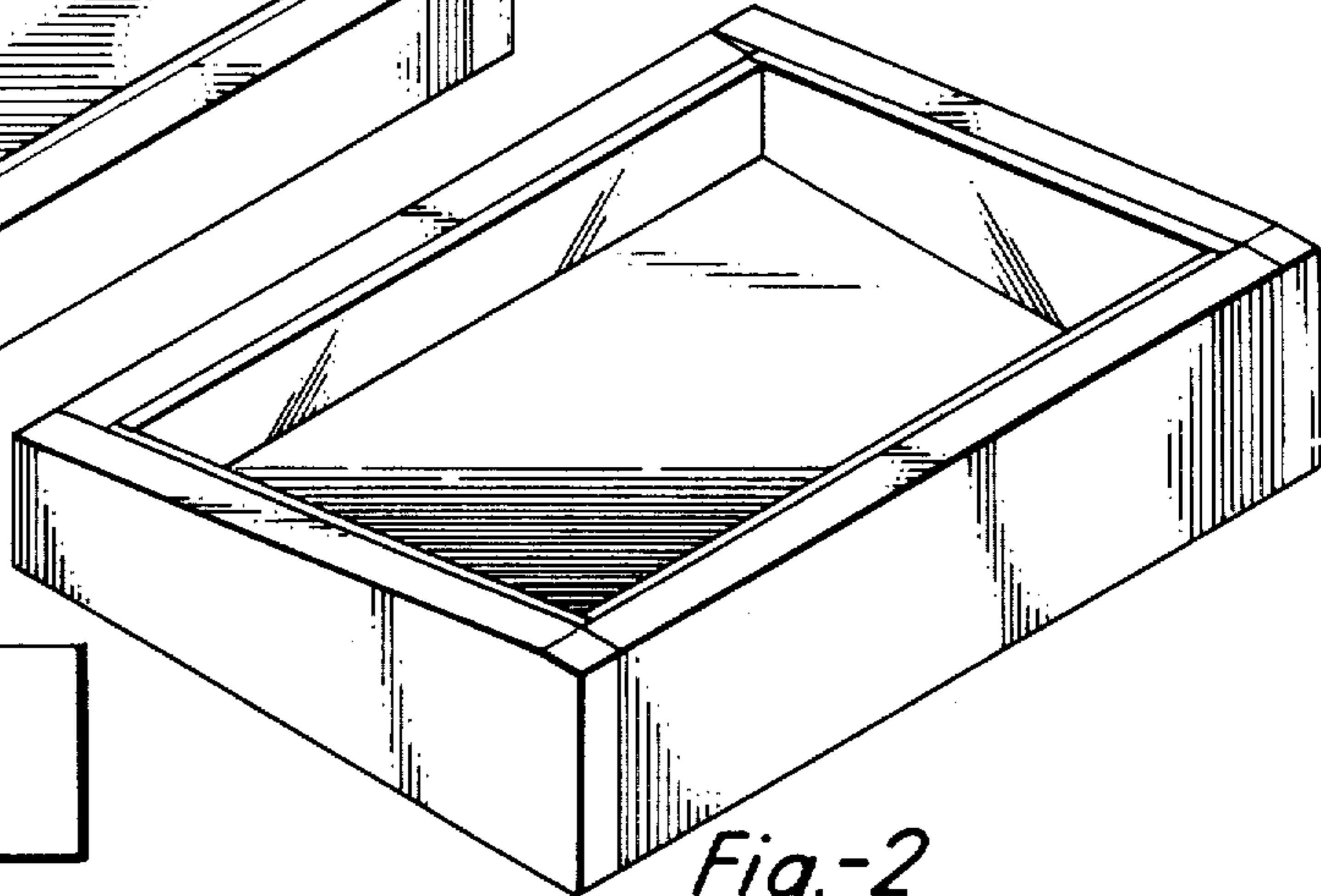
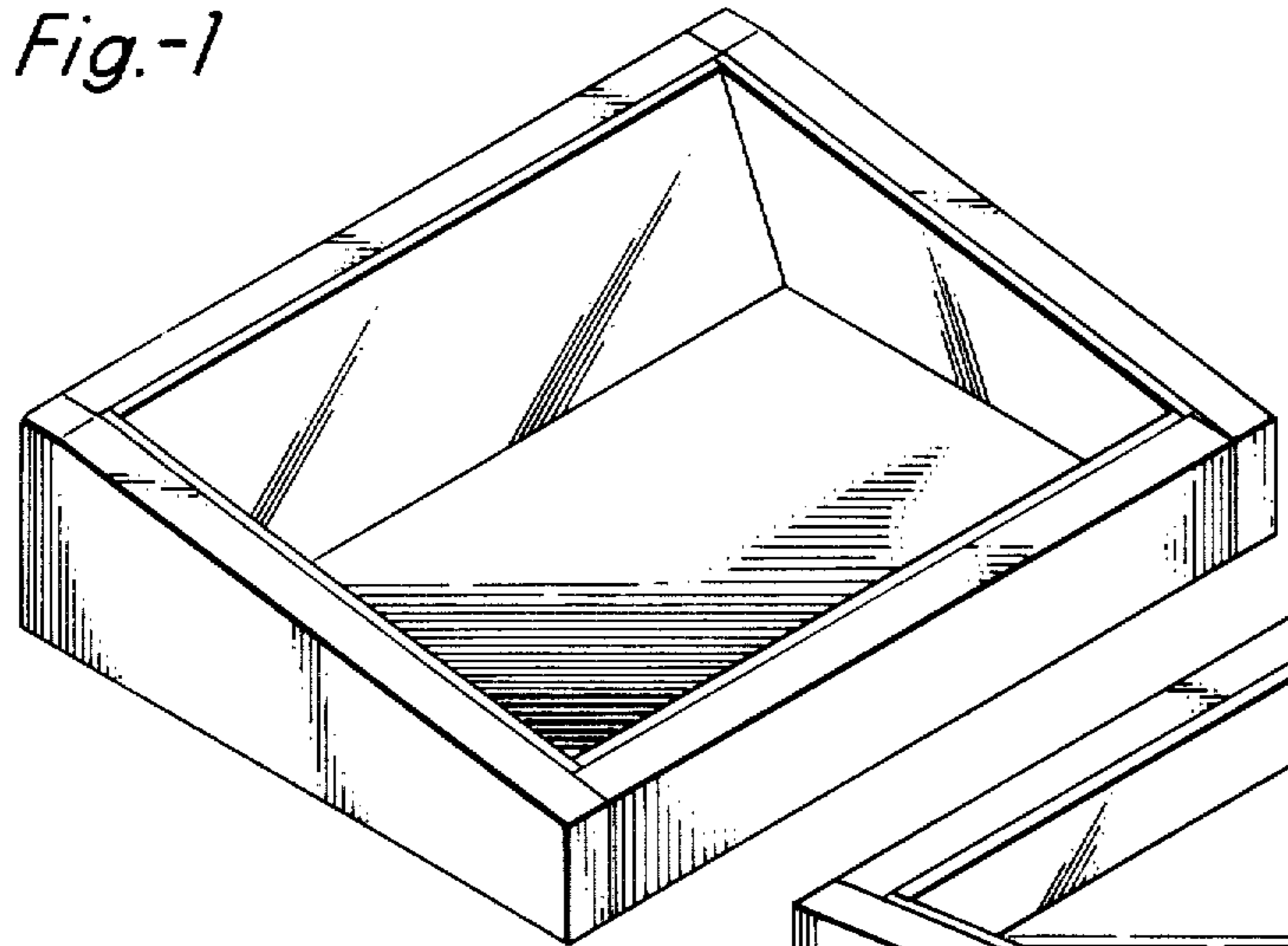


Fig.-3

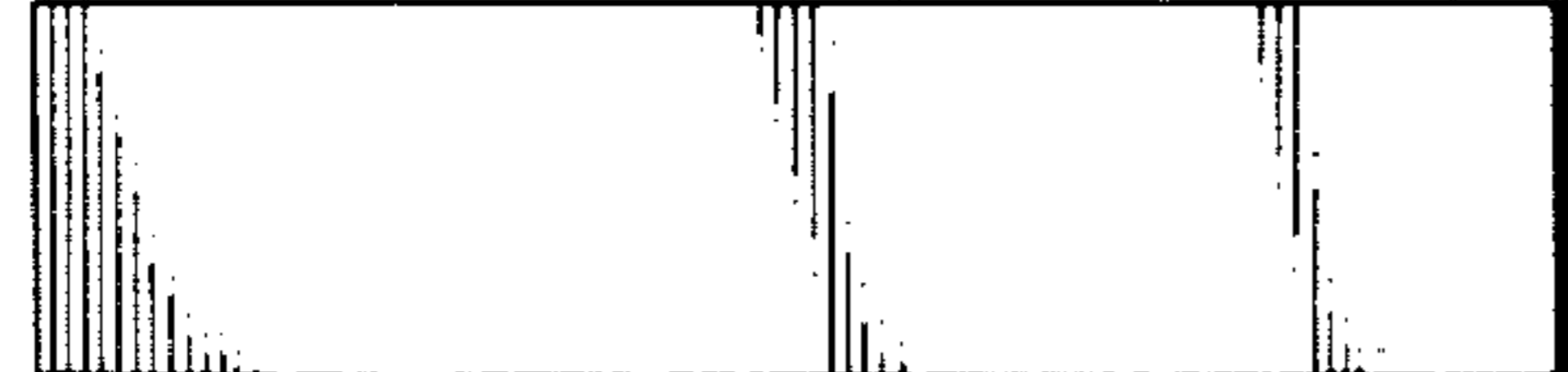


Fig.-4

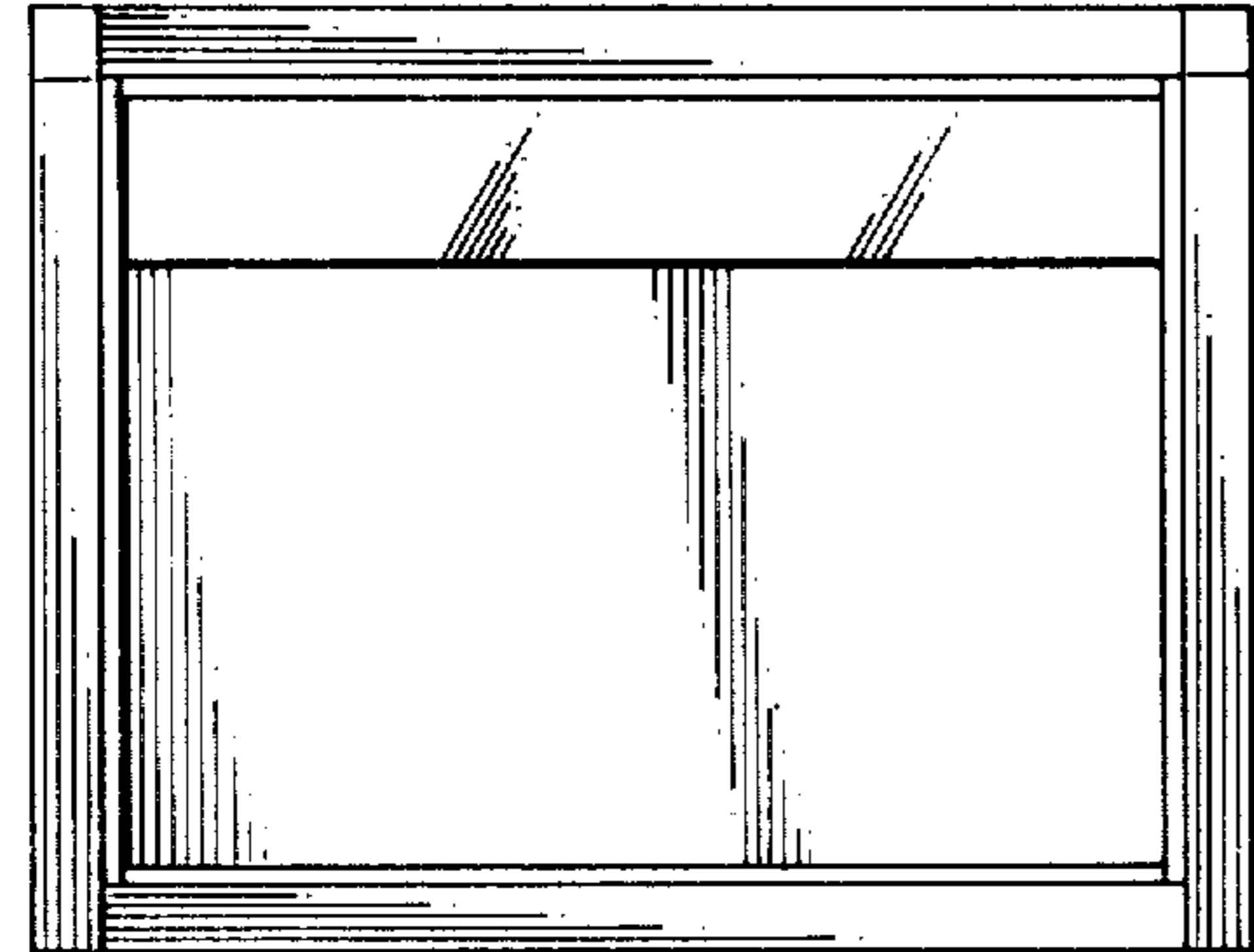


Fig.-5

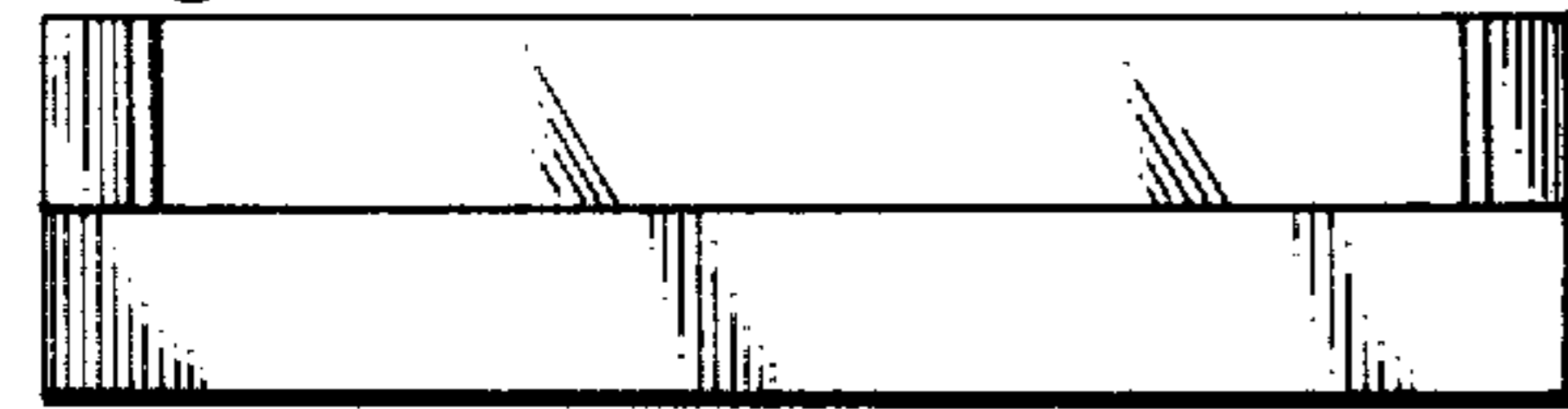


Fig.-6

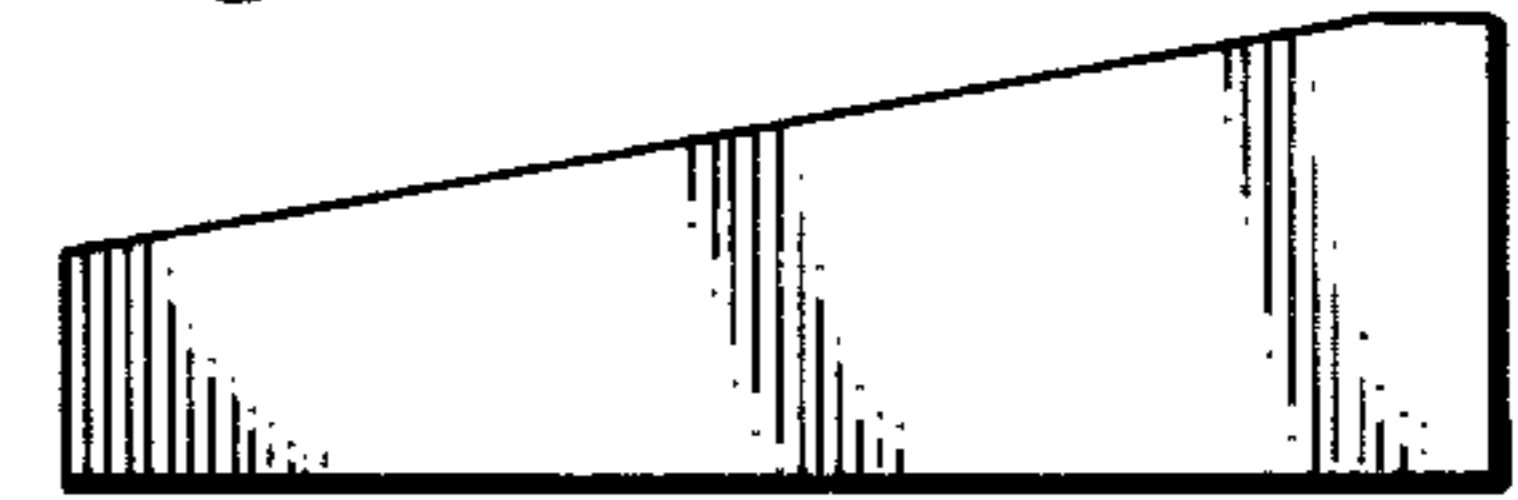


Fig.-7

