

[54] **COMBINED BOTTLE AND SQUEEGEE PACKAGE**

D. 254,477 3/1980 Mack D9/337
D. 254,708 4/1980 Mack D9/337

[75] Inventor: **Frank J. Mack**, Kinnelon, N.J.

Primary Examiner—Robert C. Spangler
Attorney, Agent, or Firm—Joseph M. Weigman

[73] Assignee: **American Home Products Corporation**, New York, N.Y.

[57] **CLAIM**

[**] Term: **14 Years**

The ornamental design for a combined bottle and squeegee package, as shown.

[21] Appl. No.: **19,192**

DESCRIPTION

[22] Filed: **Mar. 9, 1979**

[51] Int. Cl. **D9—01**

[52] U.S. Cl. **D9/337; D9/399; D9/446**

[58] Field of Search **D9/300, 302, 337, 370, D9/390, 391, 399, 446, 450**

FIG. 1 is an elevational view of a combined bottle and squeegee package showing my new design;
FIG. 2 is an elevational view looking from the right of FIG. 1;
FIG. 3 is an elevational view looking from the left of FIG. 1;
FIG. 4 is a top plan view;
FIG. 5 is a bottom plan view;
FIG. 6 is a view similar to FIG. 1 with the squeegee placed under the cap and with the cap cover in open position;
FIG. 7 is a top plan view thereof; and
FIG. 8 is a sectional view taken along line 8—8 of FIG. 6.

[56] **References Cited**

U.S. PATENT DOCUMENTS

- D. 87,854 9/1932 Quinn D9/391
- D. 197,926 4/1964 Stull D9/446
- D. 209,933 1/1968 Wilson D9/450
- D. 229,606 12/1973 Butchel D9/370
- D. 240,868 8/1976 Legere D9/300

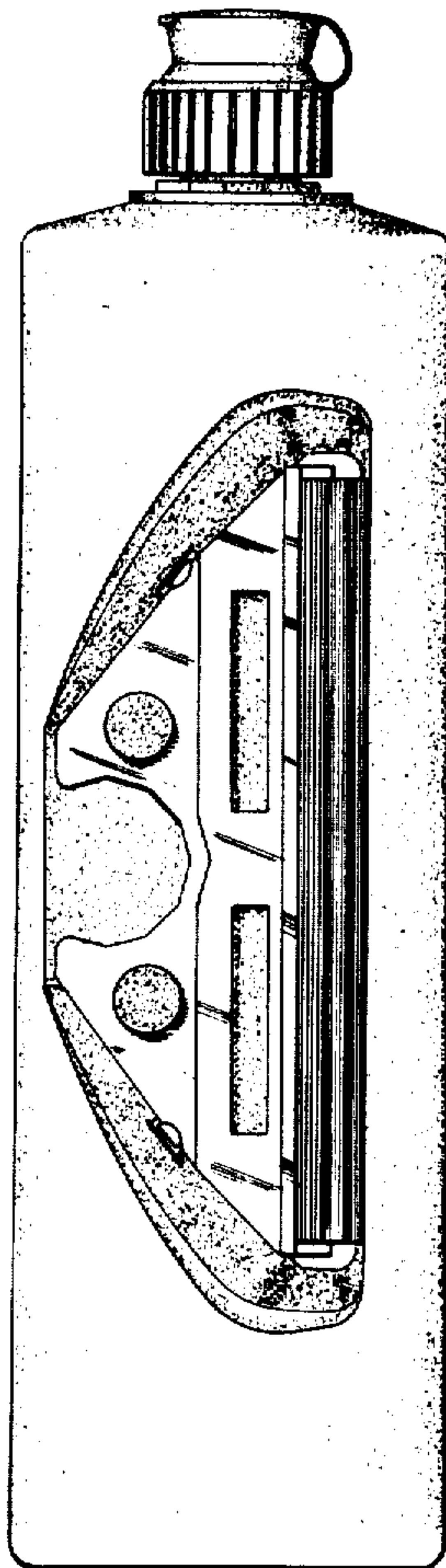


FIG. 1

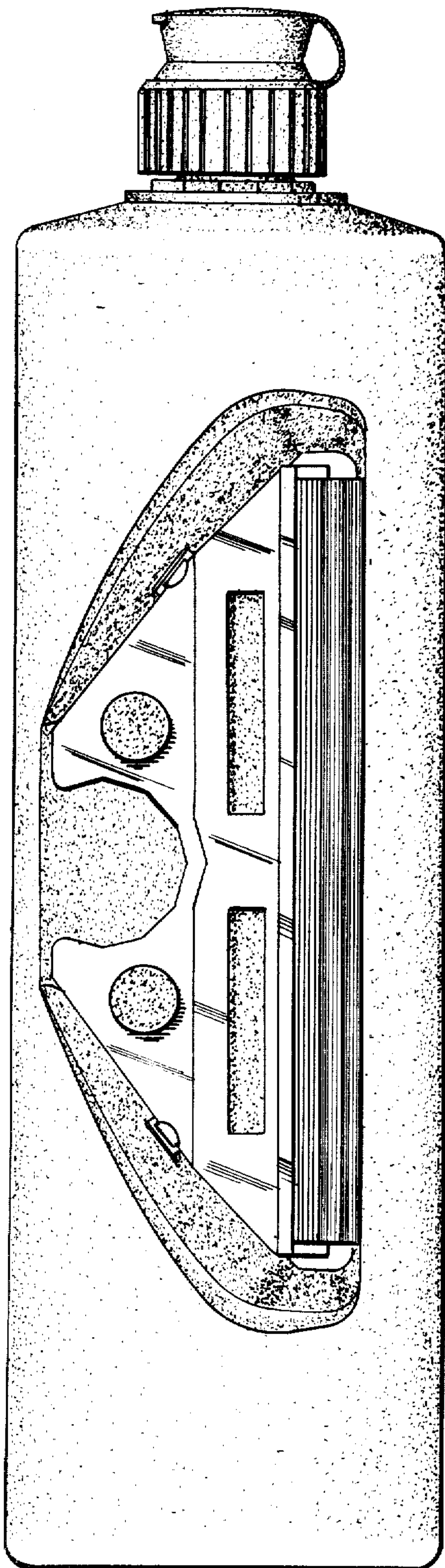


FIG. 2

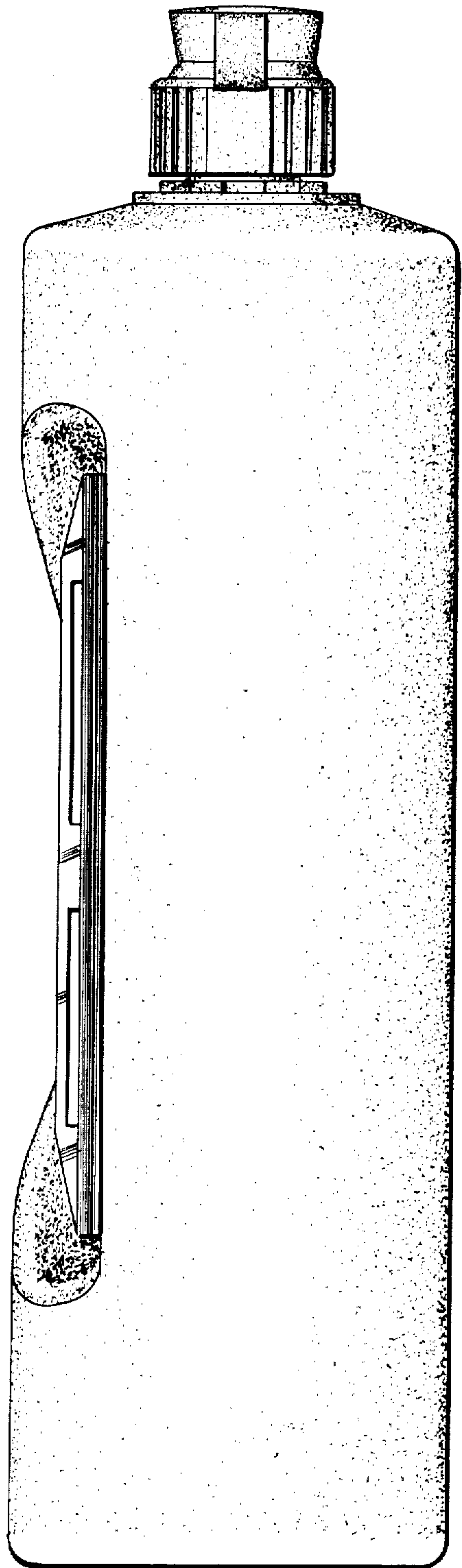


FIG. 3

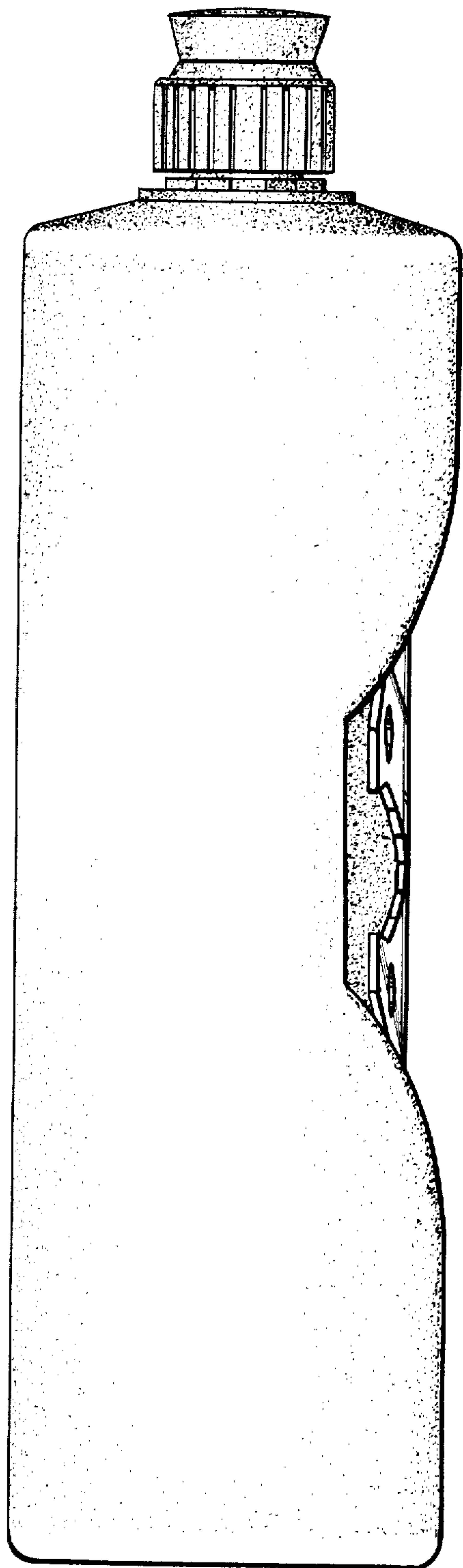


FIG. 4

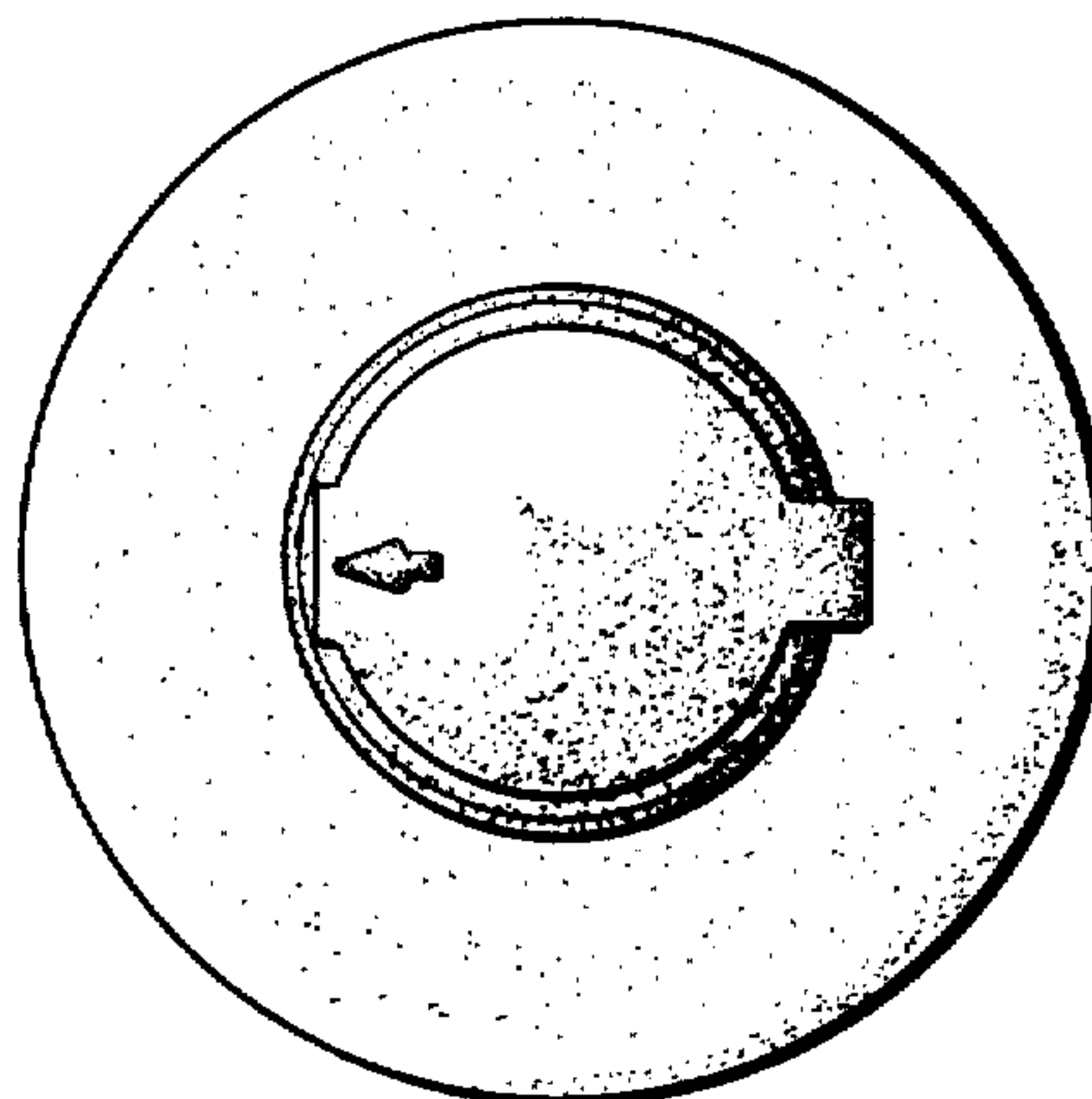


FIG. 5

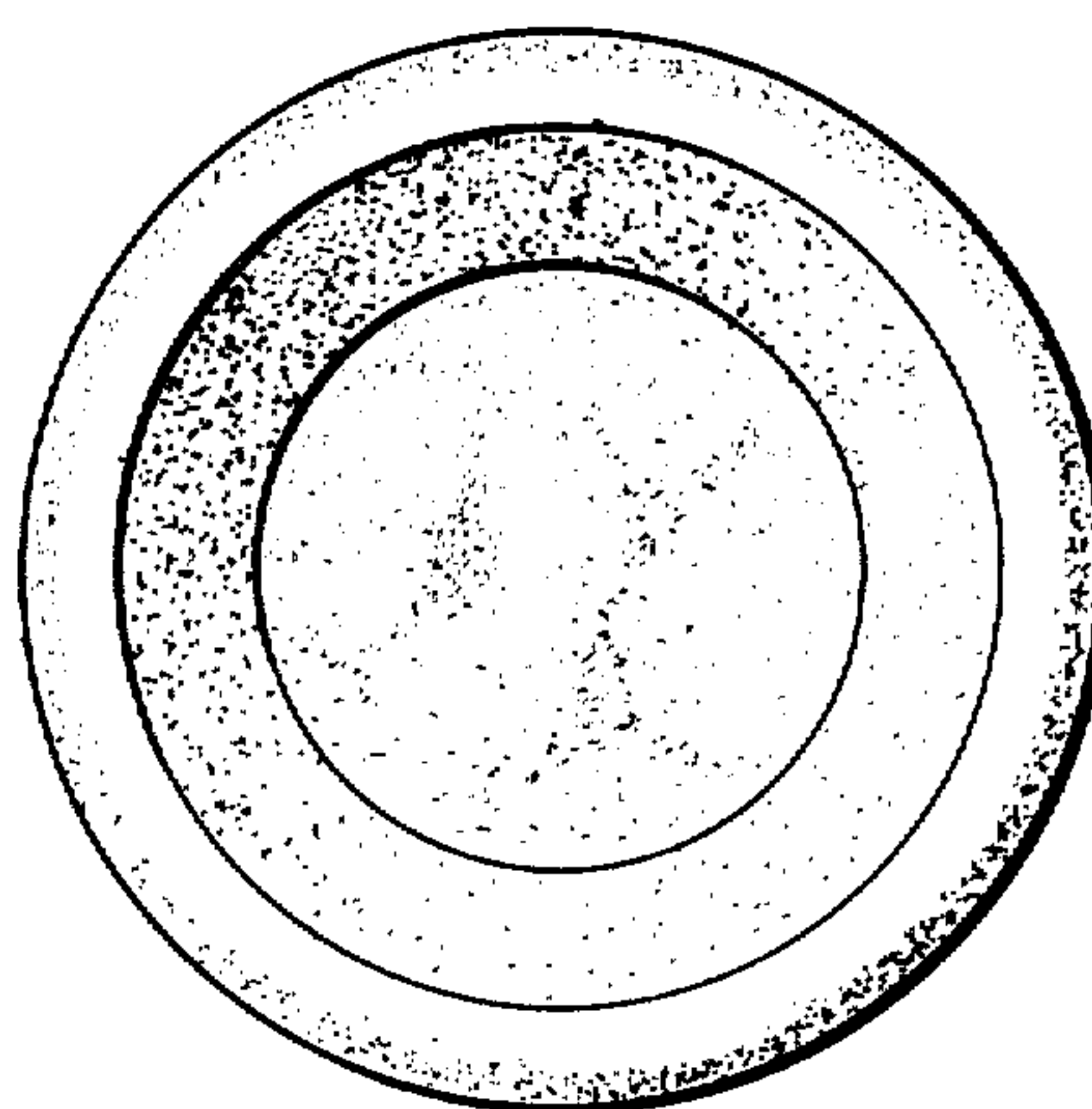


FIG. 6

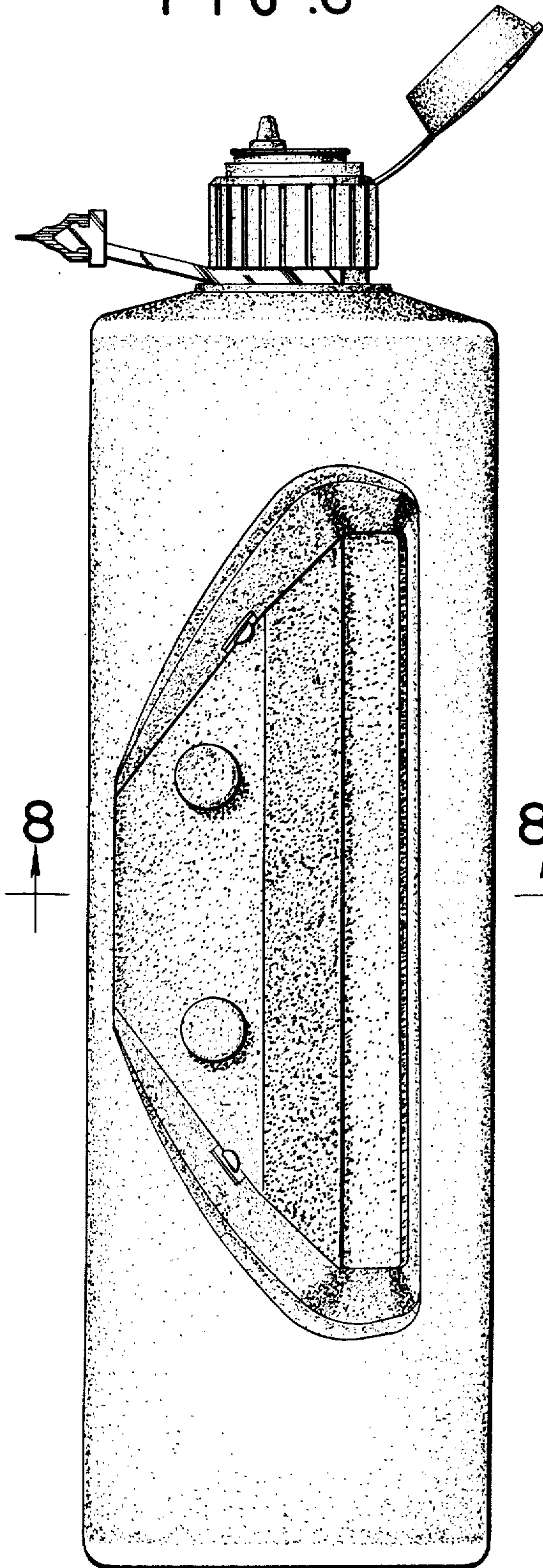


FIG. 7

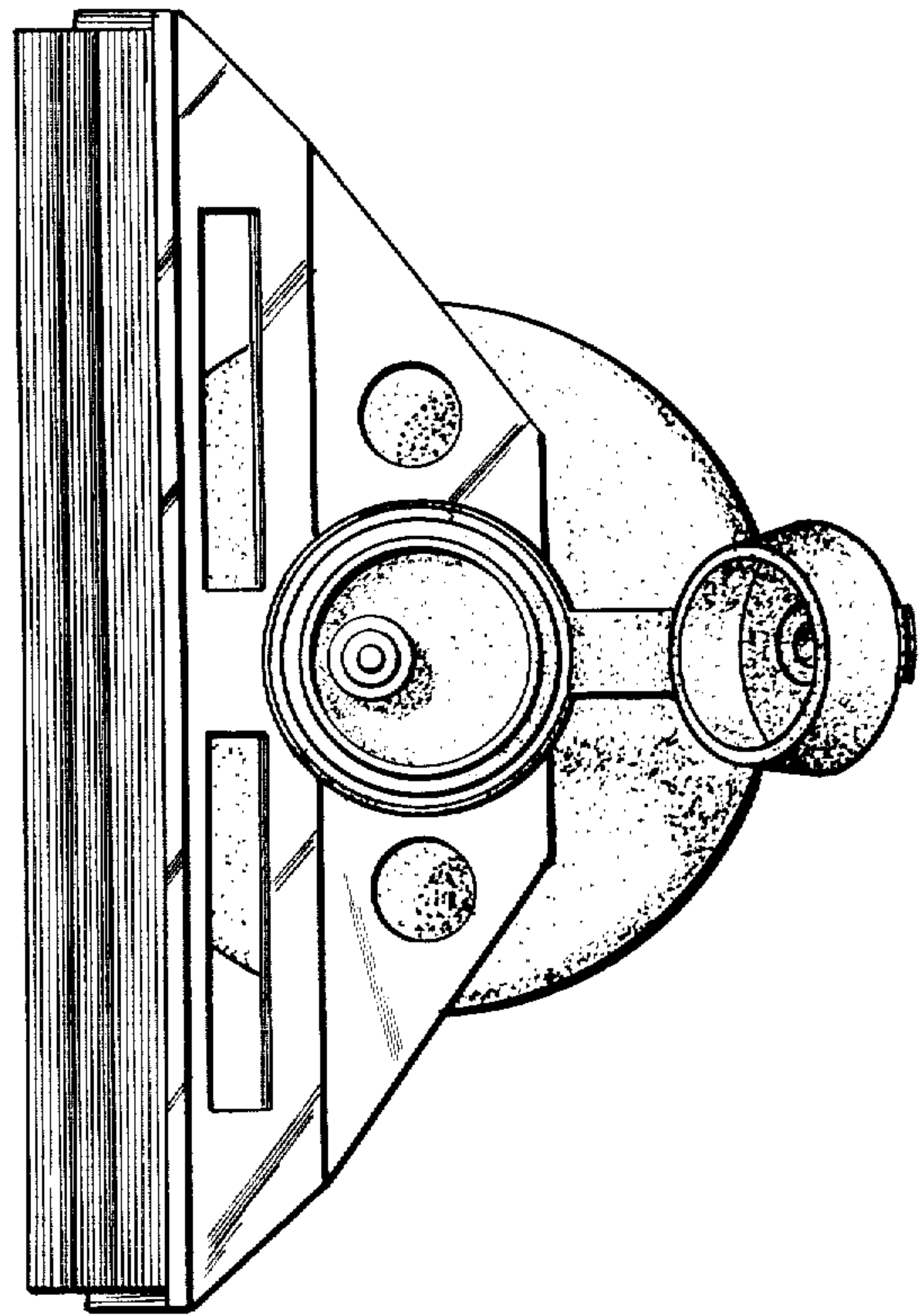


FIG. 8

