

[54] FLY TYING VISE

[76] Inventor: George E. Gehrke, Drawer 1204, Salida, Colo. 81201

[**] Term: 14 Years

[21] Appl. No.: 80,578

[22] Filed: Oct. 1, 1979

[51] Int. Cl. D8-05

[52] U.S. Cl. D8/74; D22/13; D22/31

[58] Field of Search D8/74, 71; D22/13, 31; 269/4, 64, 71, 75, 97, 229, 254 R

[56] References Cited

U.S. PATENT DOCUMENTS

- 2,310,276 2/1943 Bilz D8/71 X
- 2,586,636 2/1952 Fischer et al. 269/64 X

- 4,119,305 10/1978 Anderson 269/71
- 4,134,577 1/1979 Price et al. 269/229 X
- 4,214,739 7/1980 Dailey 269/75

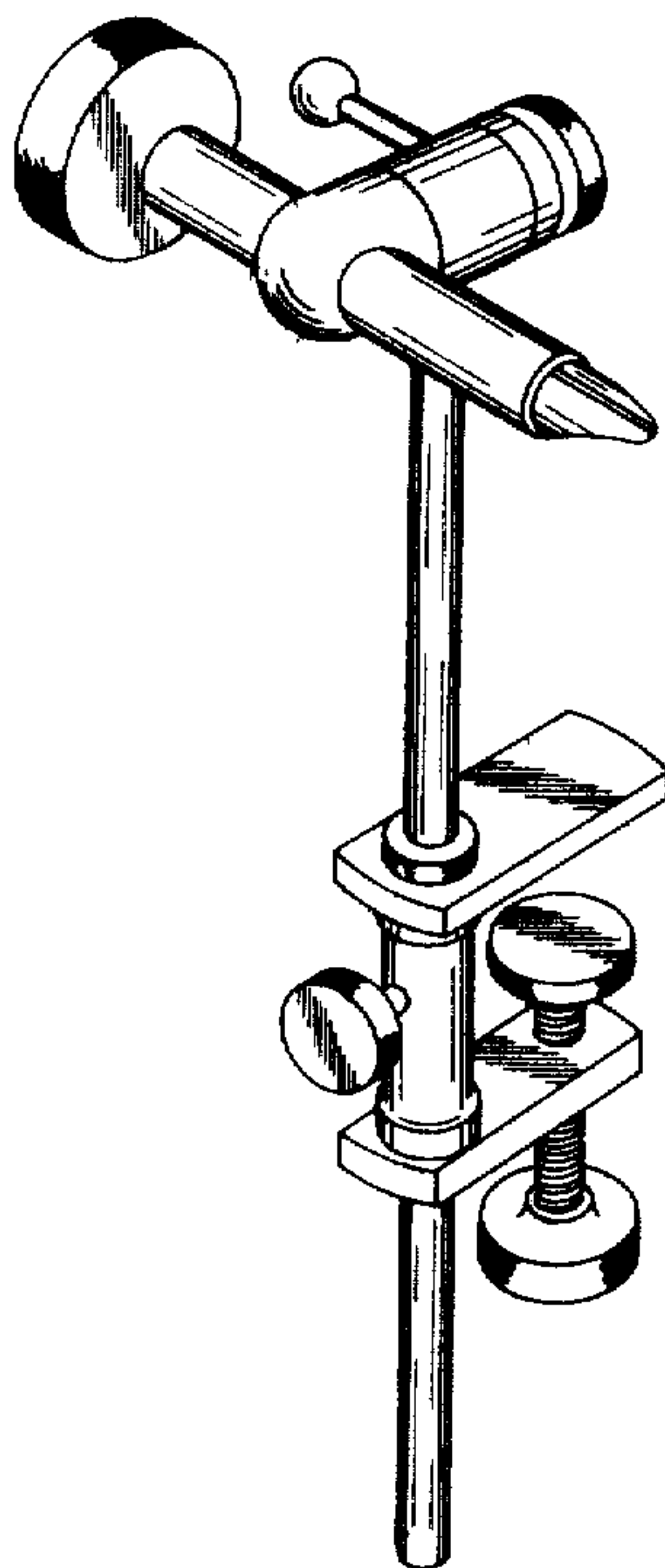
Primary Examiner—A. Hugo Word
Attorney, Agent, or Firm—Max L. Wymore

[57] CLAIM

The ornamental design for a fly tying vise, as shown and described.

DESCRIPTION

FIG. 1 is a perspective view of the fly tying vise showing my new design;
 FIG. 2 is a front elevational view thereof;
 FIG. 3 is a side elevational view thereof;
 FIG. 4 is an elevational view of the other side thereof;
 FIG. 5 is a top plan view thereof;
 FIG. 6 is a rear elevational view thereof; and,
 FIG. 7 is a bottom plan view thereof.



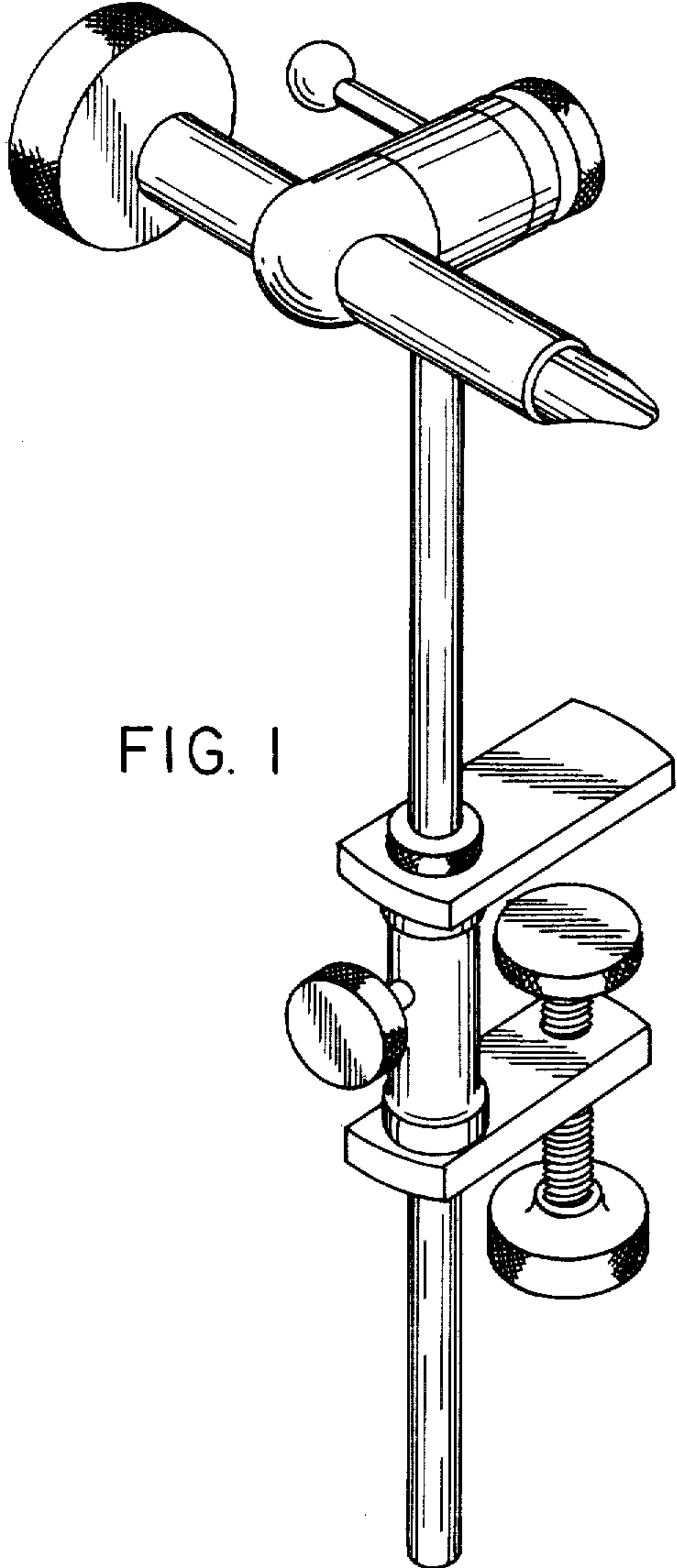


FIG. 1

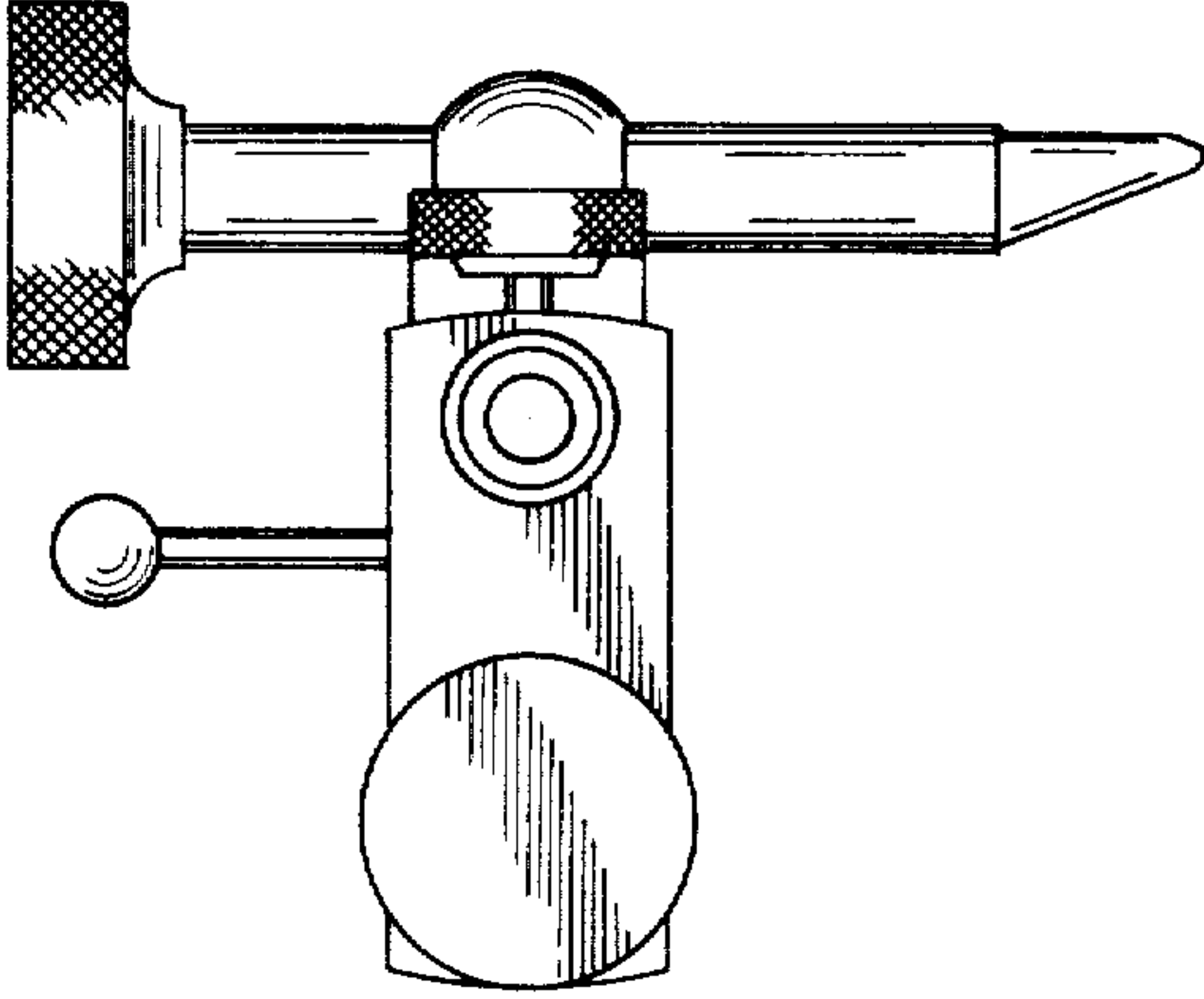


FIG. 3

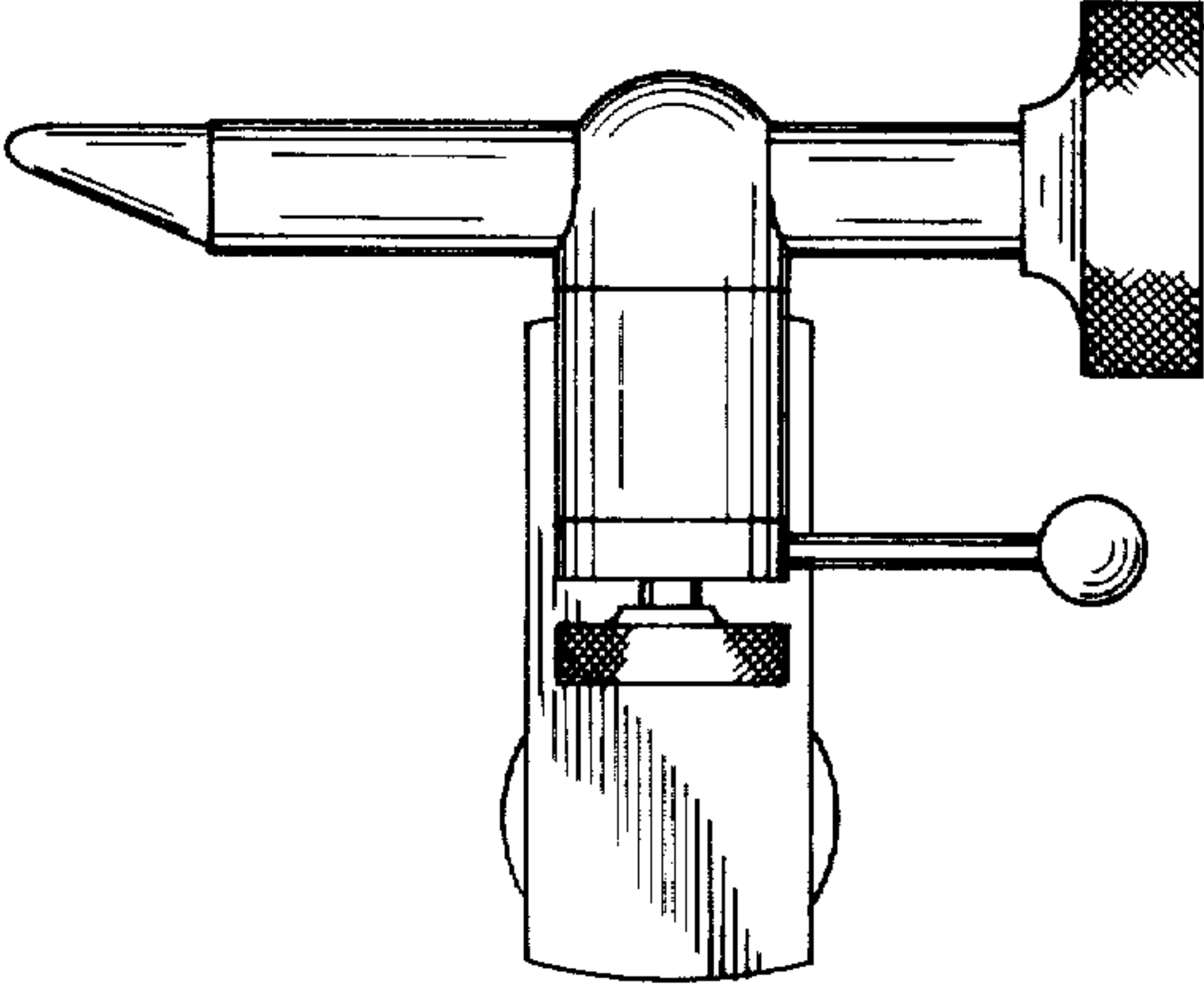


FIG. 4

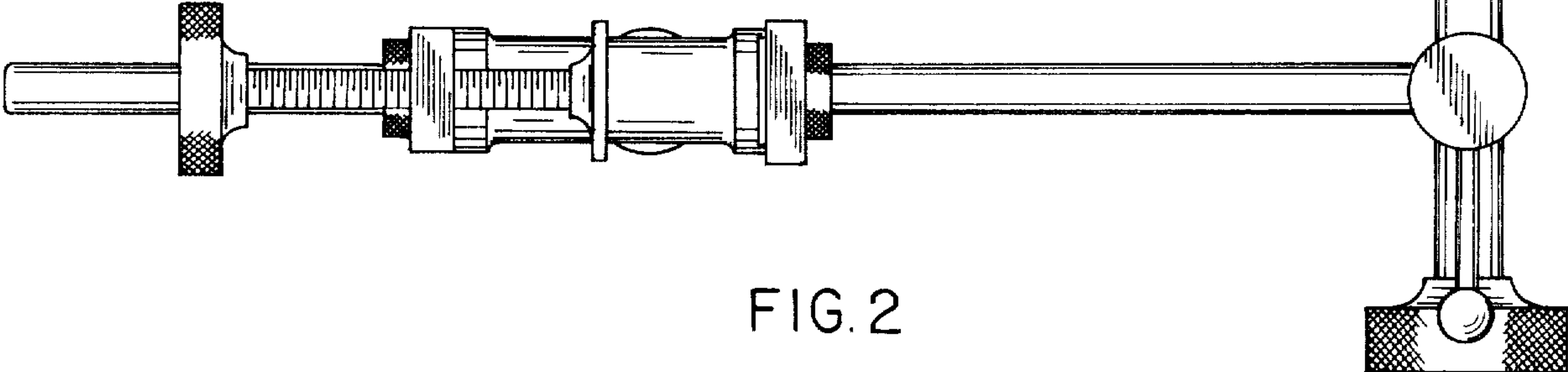


FIG. 2

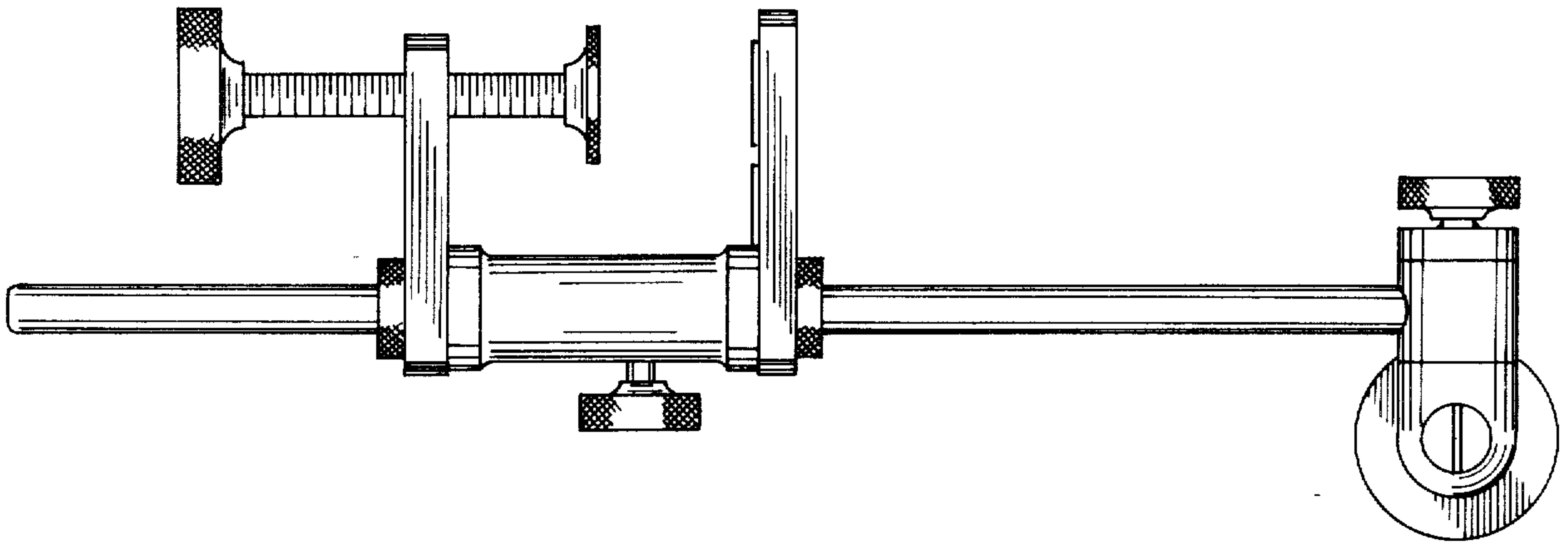


FIG. 5

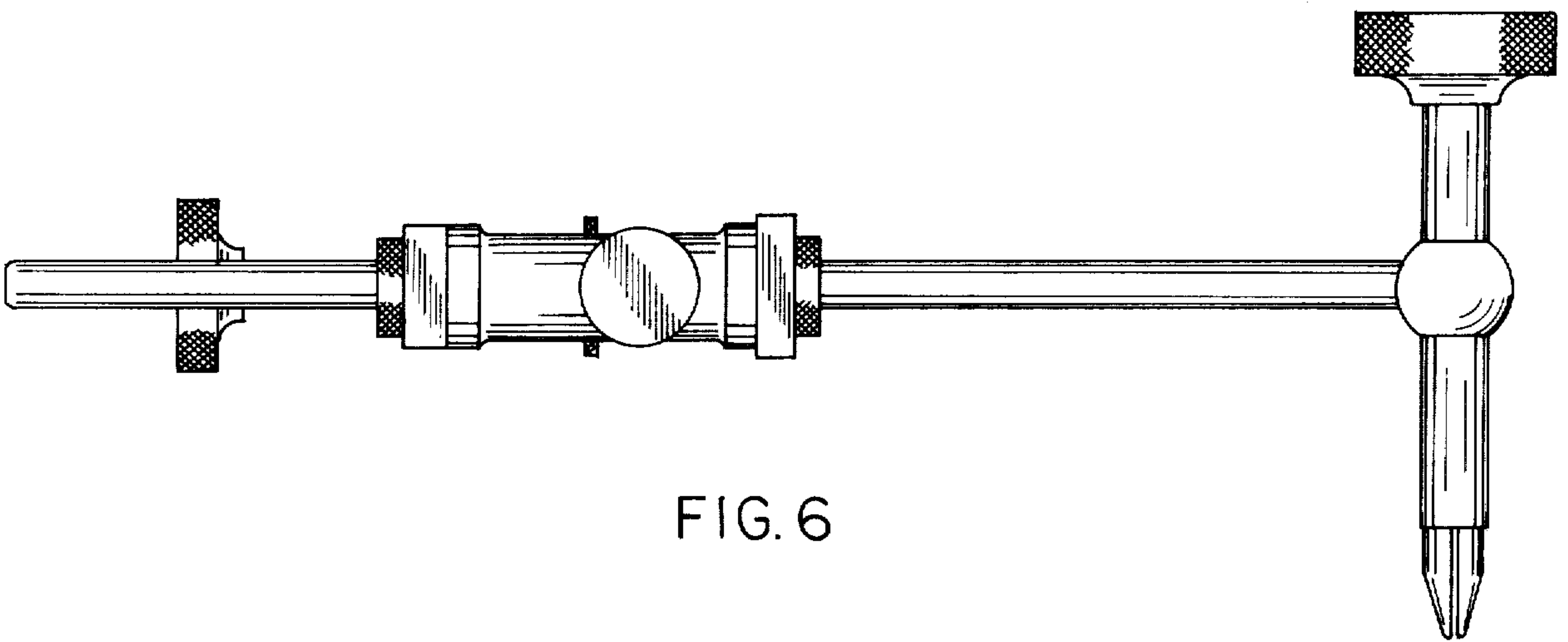


FIG. 6

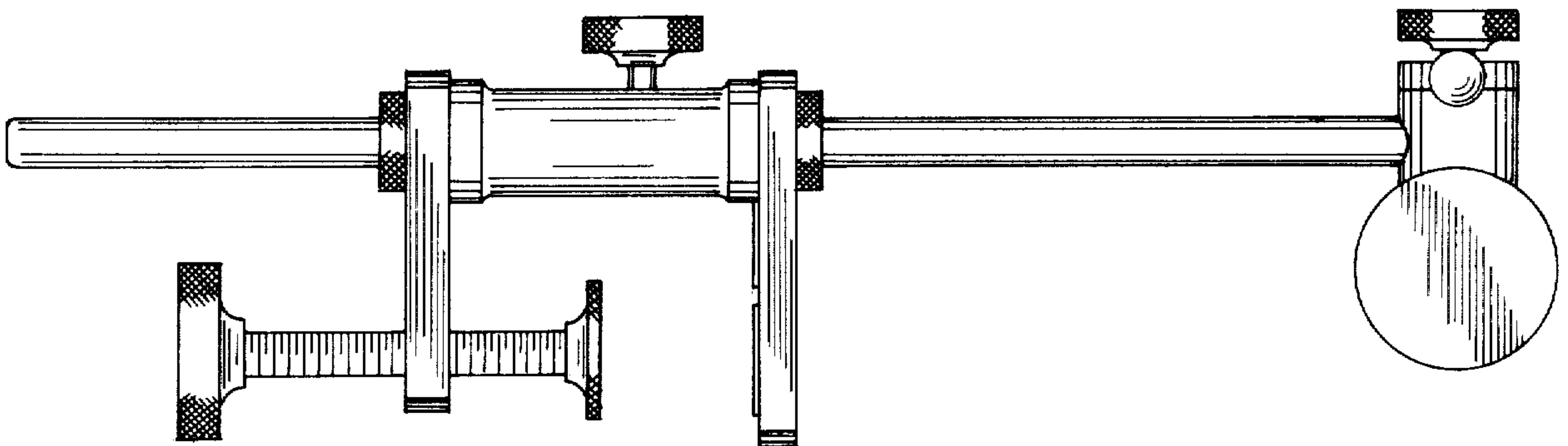


FIG. 7