

[54] THROWING HAWK

[76] Inventor: Arthur J. Ressel, St. Louis County, Mo.

[**] Term: 14 Years

[21] Appl. No.: 78,150

[22] Filed: Sep. 24, 1979

[51] Int. Cl. D8-05

[52] U.S. Cl. D8/81; D8/76; D8/78; D8/98; D8/105; D22/1

[58] Field of Search D8/47, 71, 75, 77, 72, D8/79, 81, 105, 104, 98, 102; D22/1, 2, 3; D21/2, 82, 145; D7/152; 30/299, 355; 7/143, 145, 147

[56] References Cited

U.S. PATENT DOCUMENTS

D 30,408	3/1899	Schlageter et al.	D8/78
D. 51,773	2/1918	Burr	D8/78
D. 170,824	11/1953	Kundikoff	D22/1
D. 234,214	1/1975	McEvoy	D8/98
1,643,861	9/1927	Szakacs	D8/76 X
2,763,172	9/1956	Richards	72/477 X
4,242,780	1/1981	Littman	D8/78 X

Primary Examiner—A. Hugo Word
Attorney, Agent, or Firm—Paul M. Denk

[57] CLAIM

The ornamental design for the throwing hawk, as shown and described.

DESCRIPTION

FIG. 1 is a side view of a throwing hawk embodying my new design, the opposite side view being a mirror image thereof;

FIG. 2 is a top view of the throwing hawk shown in FIG. 1;

FIG. 3 is a back view of the throwing hawk shown in FIG. 1;

FIG. 4 is a front view of the throwing hawk shown in FIG. 1;

FIG. 5 is a bottom view of the throwing hawk shown in FIG. 1;

FIG. 6 is a side view of a slightly modified design for the throwing hawk shown in FIG. 1, the difference being in the ornamentation projecting from its back thereof;

FIG. 7 is a top view of the throwing hawk shown in FIG. 6;

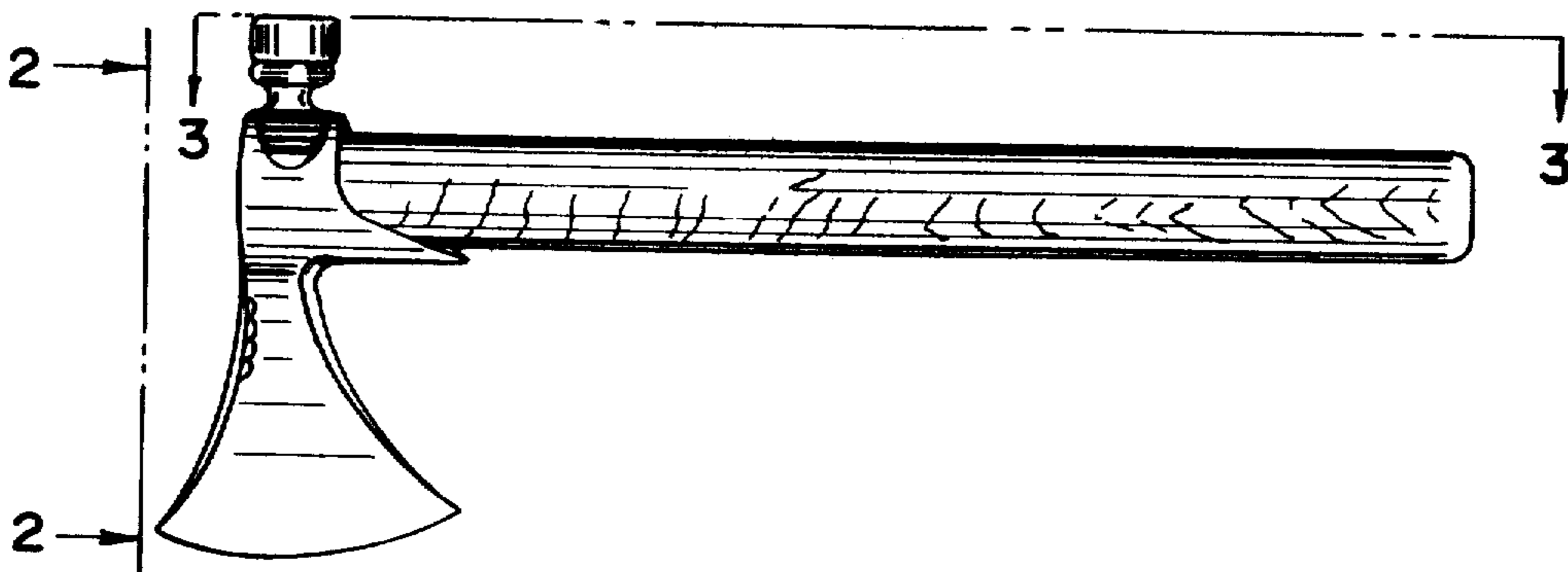
FIG. 8 is a back view of the throwing hawk shown in FIG. 6;

FIG. 9 is a front view of the throwing hawk shown in FIG. 6;

FIG. 10 is a bottom view of the throwing hawk shown in FIG. 6;

FIG. 11 is a side view of the basic throwing hawk of my invention; and

FIG. 12 is a back view of the throwing hawk shown in FIG. 11.



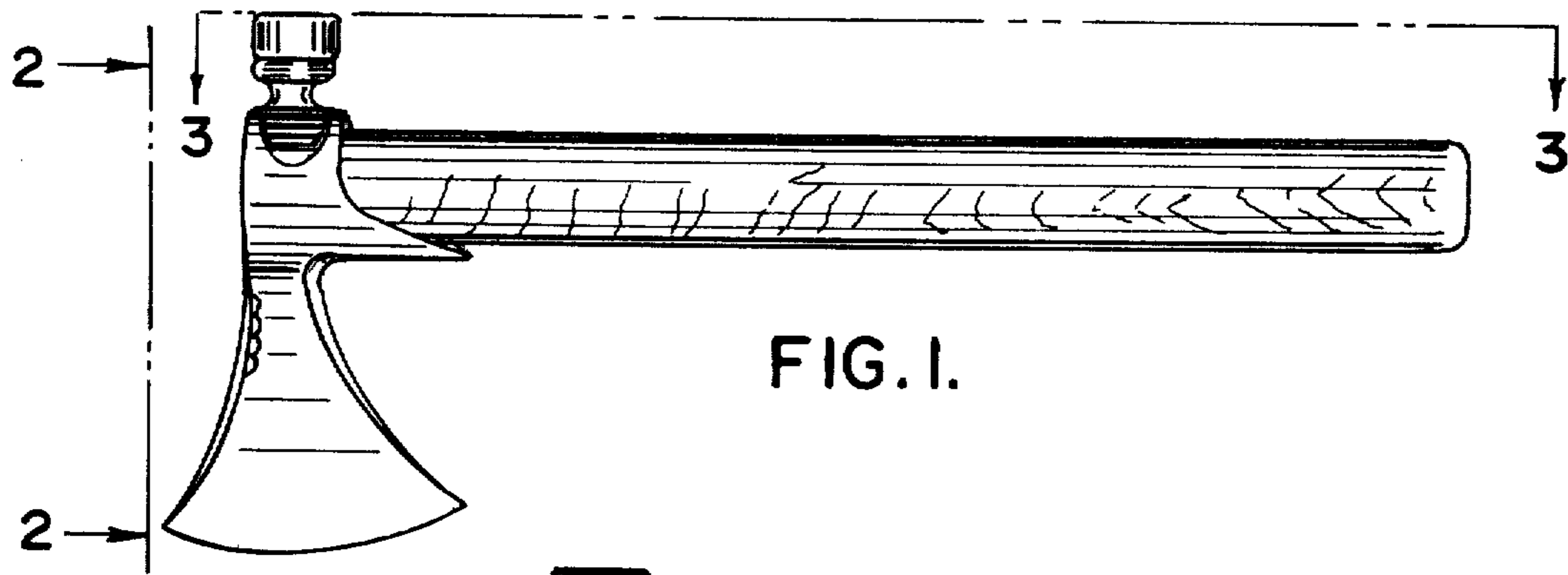


FIG. 1.

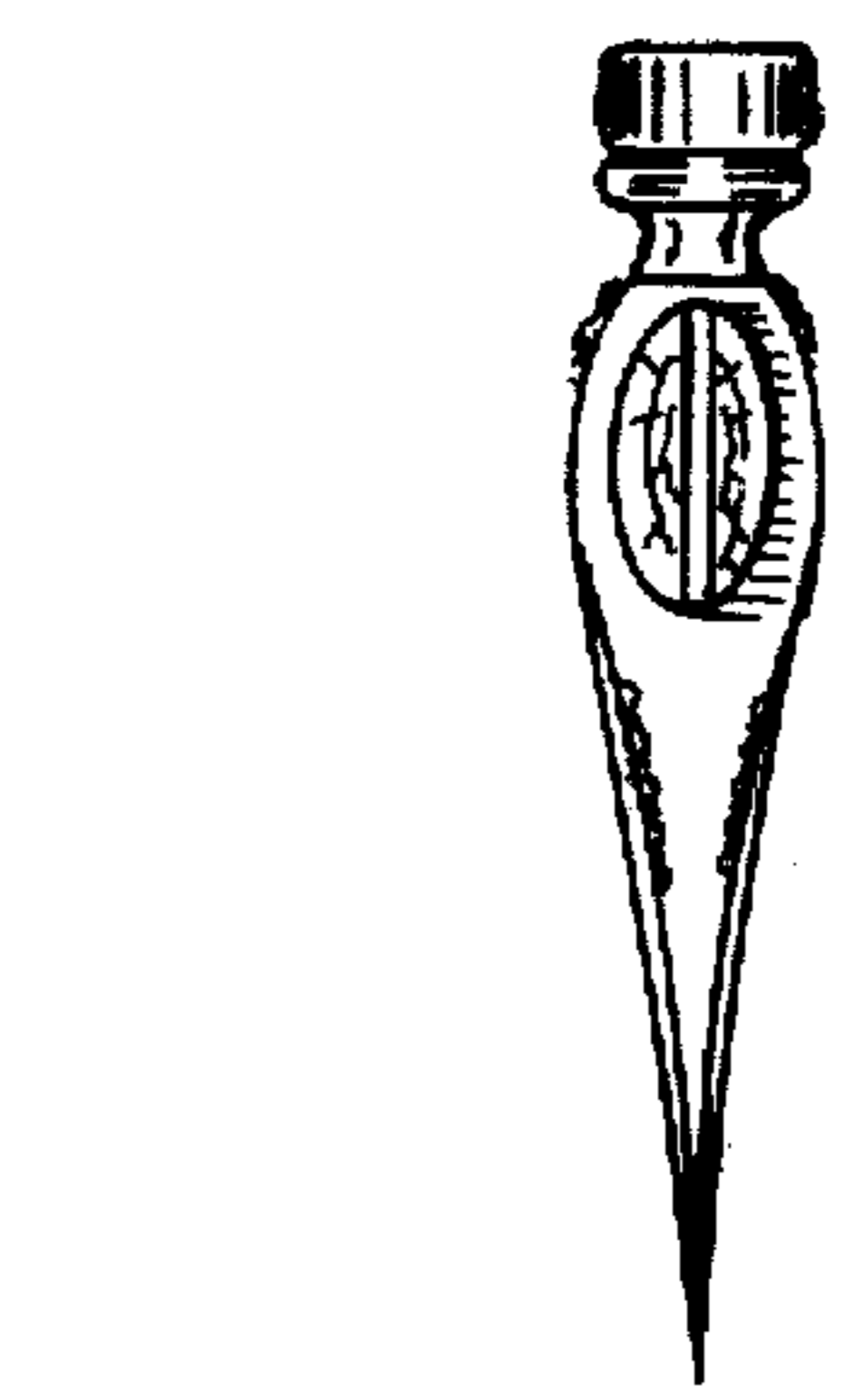


FIG. 2.

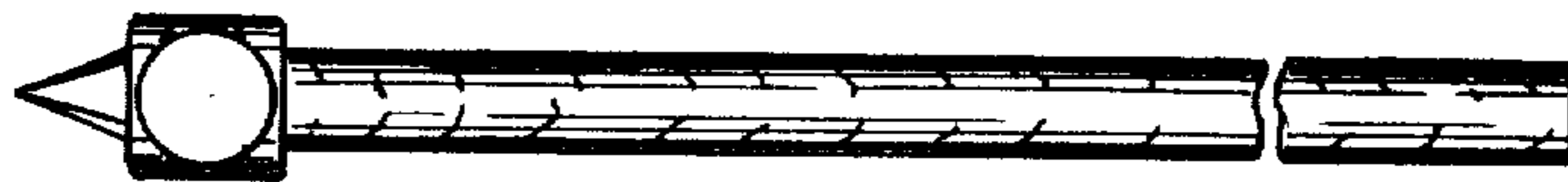


FIG. 3.

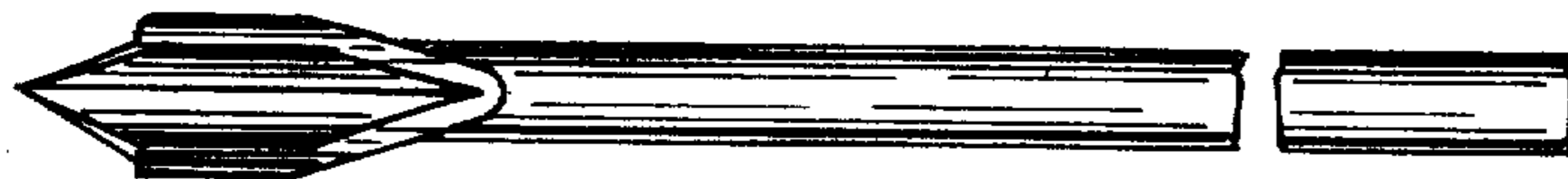


FIG. 4.



FIG. 5.

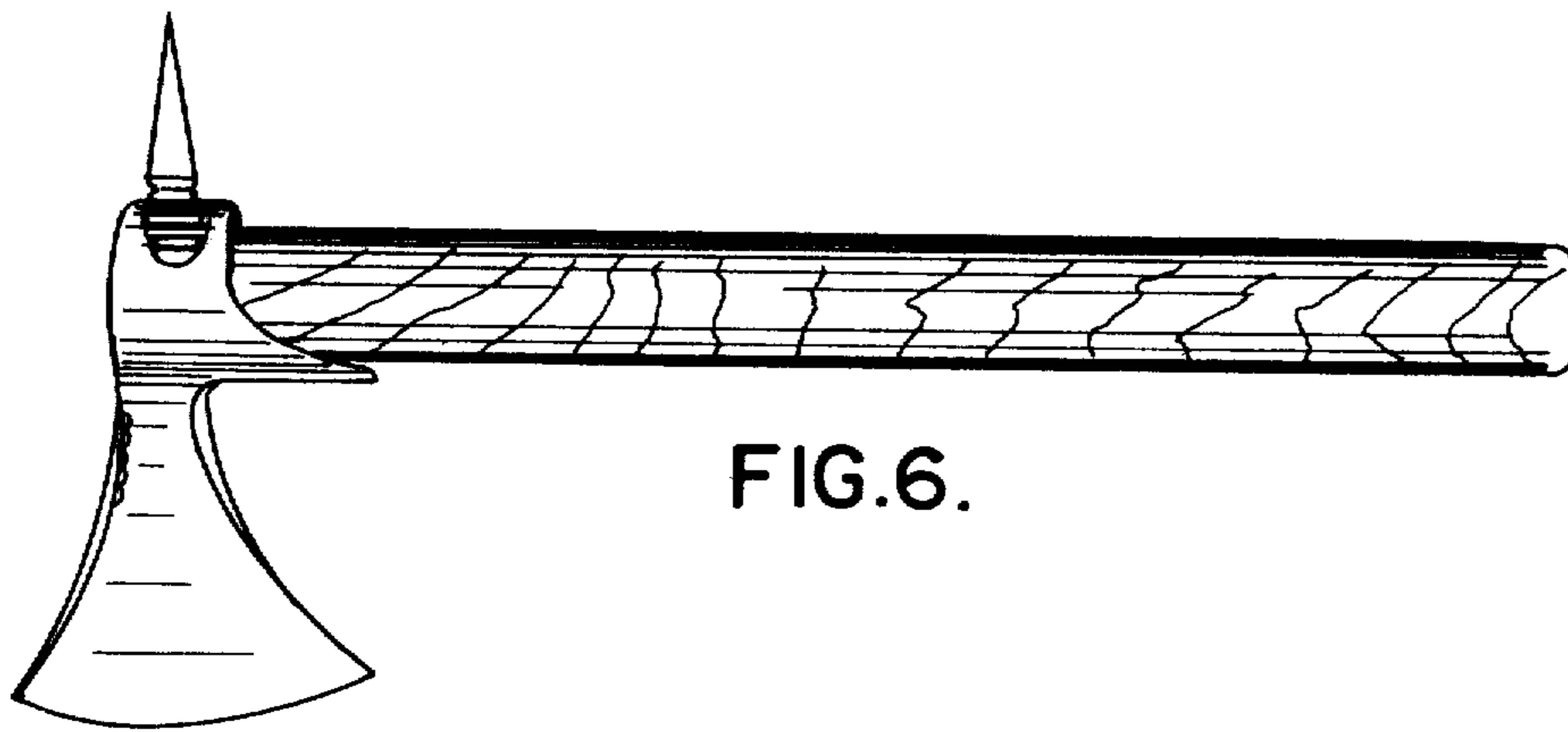


FIG. 6.



FIG. 7.

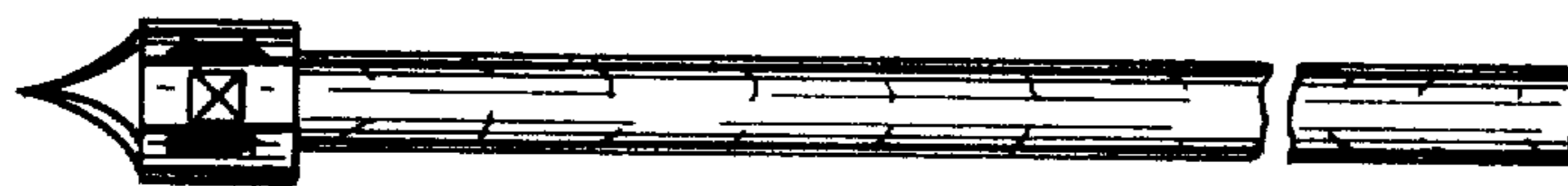


FIG. 8.

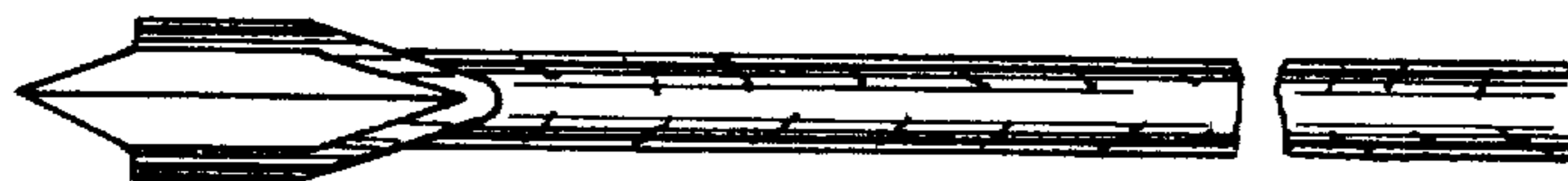


FIG. 9.



FIG. 10.

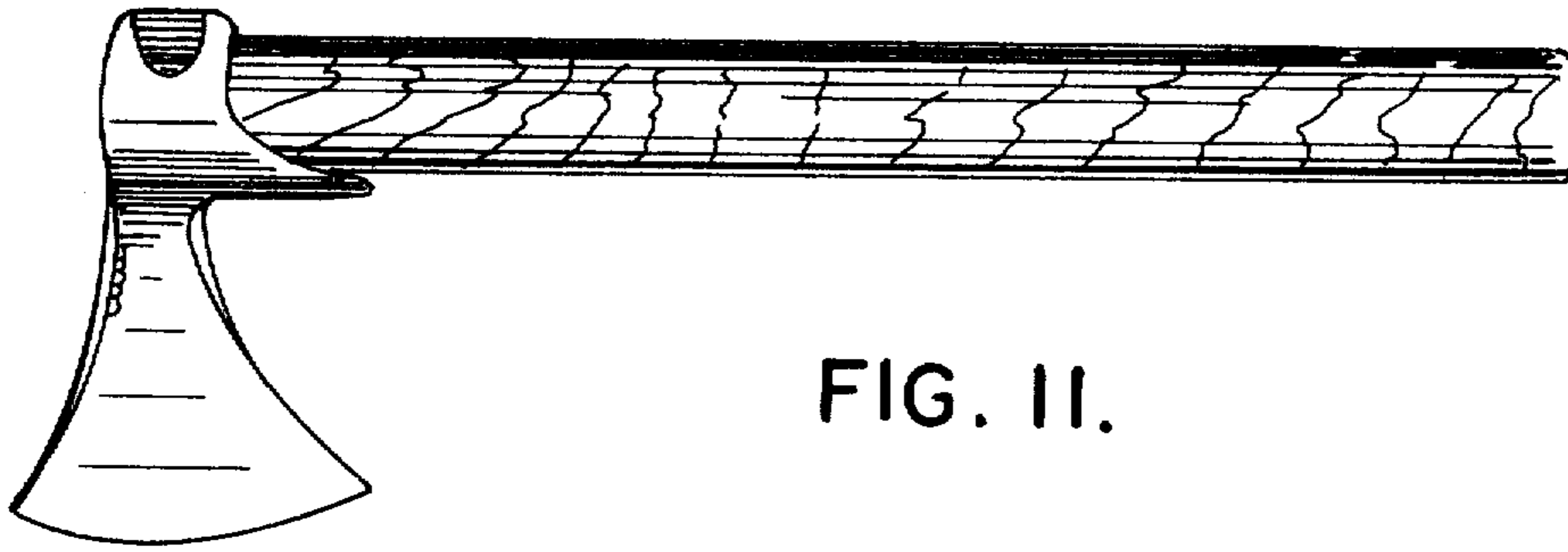


FIG. II.

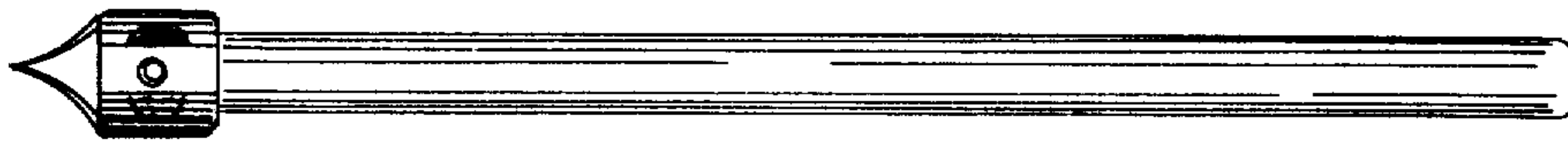


FIG. I2.