

[54] **BAG HOLDER**

[76] Inventor: **Thomas D. Peterson, c/o Grain Elevator Construction Materials Ltd., 469-471 Jarvis Ave., Winnipeg, Manitoba, Canada, R2W 3A8**

[**] Term: **14 Years**

[21] Appl. No.: **135,592**

[22] Filed: **Mar. 31, 1980**

[30] **Foreign Application Priority Data**

Feb. 25, 1980 [CA] Canada 25-02-80-4

[51] Int. Cl. **D7-05**

[52] U.S. Cl. **D34/6**

[58] Field of Search **D7/189, 193; 248/95, 248/97, 99, 100, 101**

[56] **References Cited**

U.S. PATENT DOCUMENTS

128,073	6/1872	Roseborough, Jr.	248/97
575,902	1/1897	Nicholas	248/97
2,149,042	2/1939	Branthover	248/97
3,598,350	8/1971	Kaufman	248/97

Primary Examiner—Catherine E. Kemper
Attorney, Agent, or Firm—Lawrence I. Field

[57] **CLAIM**

The ornamental design for a bag holder, as shown and described.

DESCRIPTION

FIG. 1 is an isometric view of a bag holder, showing my new design;
FIG. 2 is a top plan view thereof;
FIG. 3 is a front elevational view thereof.



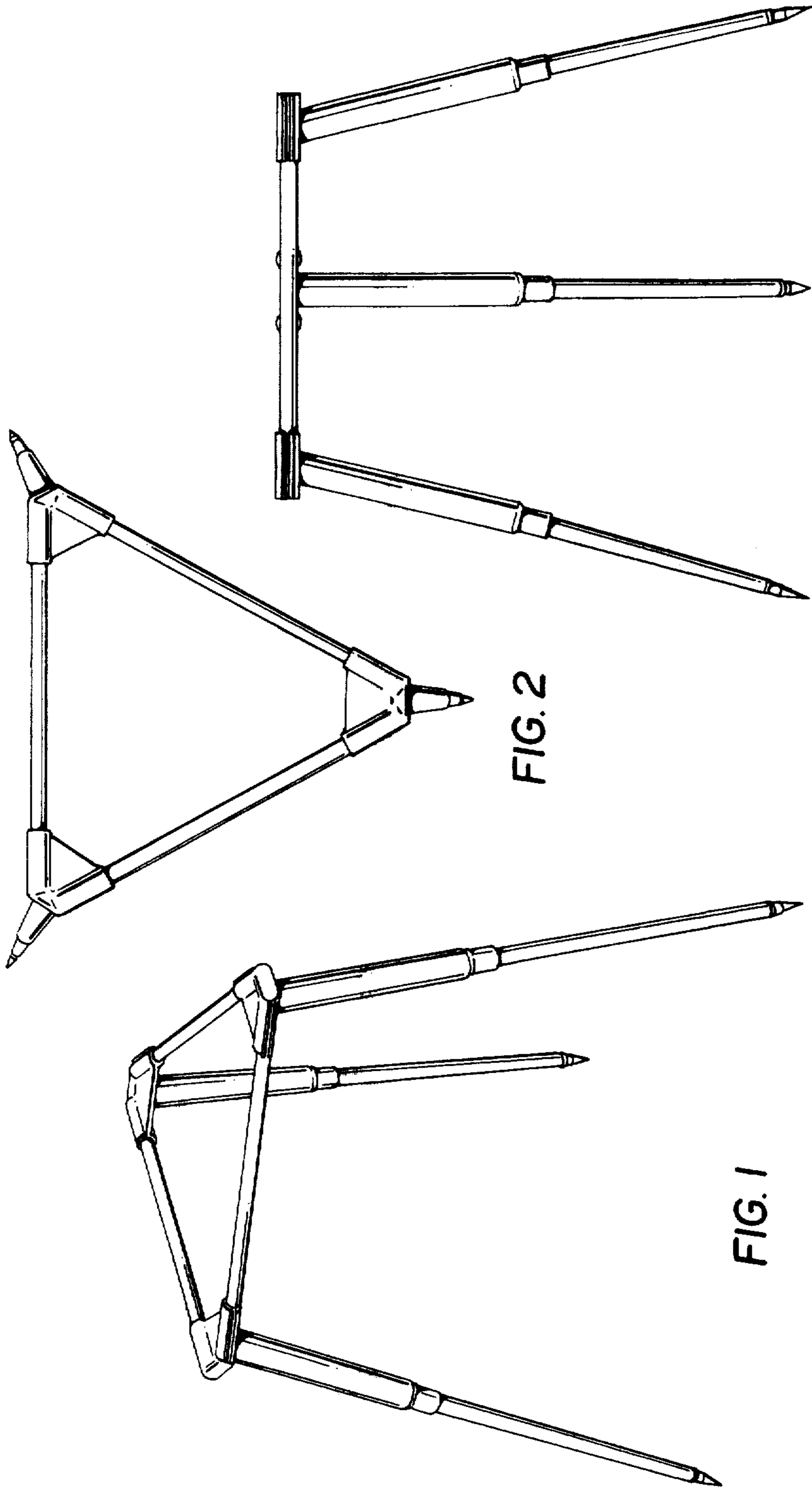


FIG. 2

FIG. 1

FIG. 3