

- [54] LOCKABLE DRAWER UNIT
- [75] Inventor: **Bruce R. Thompson**, Tranmere, Australia
- [73] Assignee: **UPL Group Limited**, Brisbane, Australia
- [**] Term: **14 Years**
- [21] Appl. No.: **121,240**
- [22] Filed: **Feb. 13, 1980**
- [51] Int. Cl. **D6-04**
- [52] U.S. Cl. **D6/129; D6/158**
- [58] Field of Search **D6/86, 114, 127-129, D6/158-166; 312/320, 330, 245, 204**

4,184,724 1/1980 Katz et al. 312/320

OTHER PUBLICATIONS

Domus, 11/1974, inside back, drawer (upper left corner).

Primary Examiner—B. J. Bullock
Attorney, Agent, or Firm—McDougall, Hersh & Scott

[57] **CLAIM**

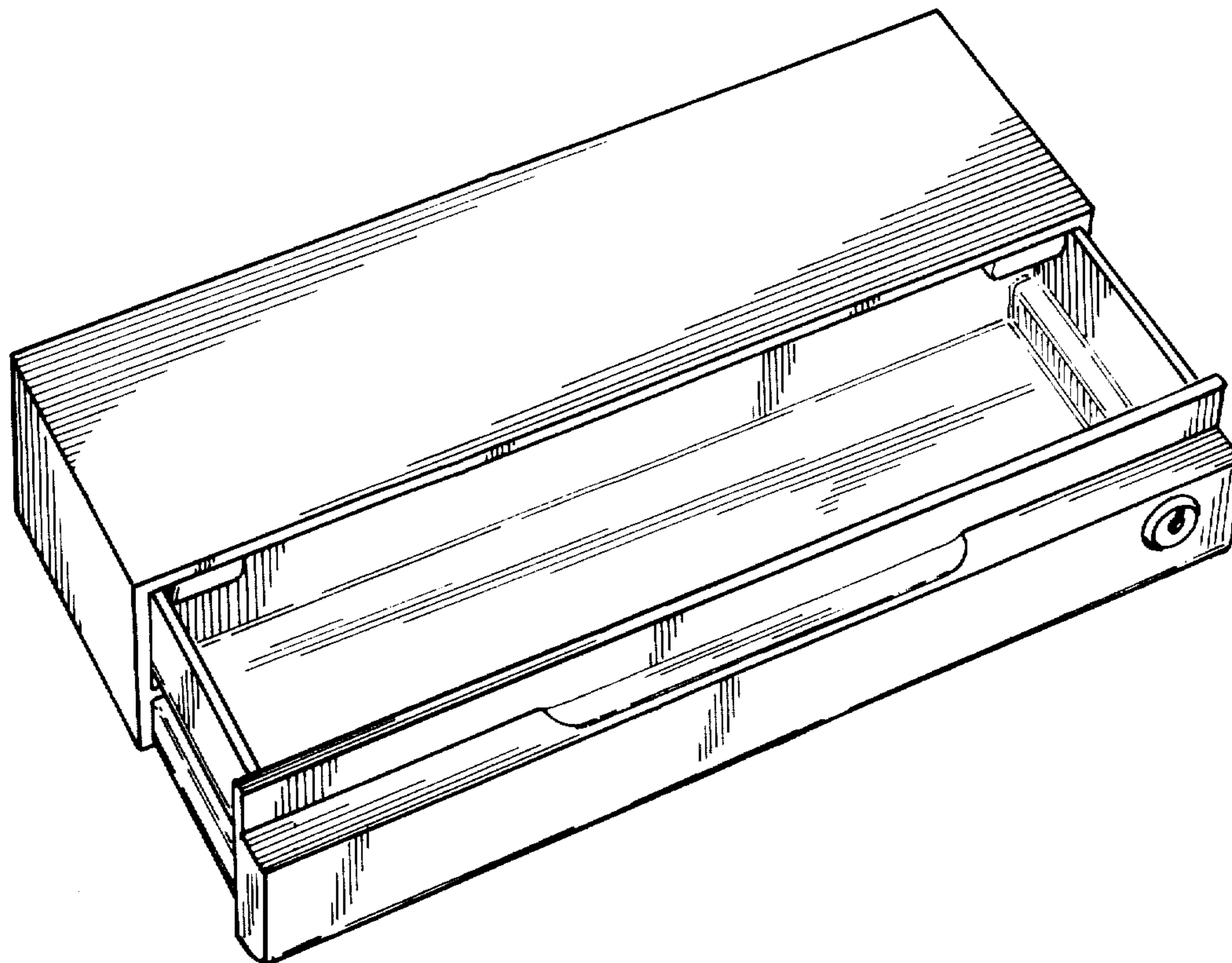
The ornamental design for a lockable drawer unit, as shown.

DESCRIPTION

FIG. 1 is a reduced perspective view of a lockable drawer unit showing my new design, in the open position;
 FIG. 2 is a top plan view thereof;
 FIG. 3 is a bottom plan view of FIG. 2;
 FIG. 4 is a front view of FIG. 2;
 FIG. 5 is a rear view of FIG. 2;
 FIG. 6 is a side view taken from the right of FIG. 4; and
 FIG. 7 is a side view taken from the left of FIG. 4.

[56] **References Cited**
U.S. PATENT DOCUMENTS

D. 143,266	12/1945	Brainard et al.	D6/161
D. 241,100	8/1976	Vrignaud	D6/129
D. 243,900	4/1977	Boyd et al.	D6/158
4,010,989	3/1977	Klug	312/204



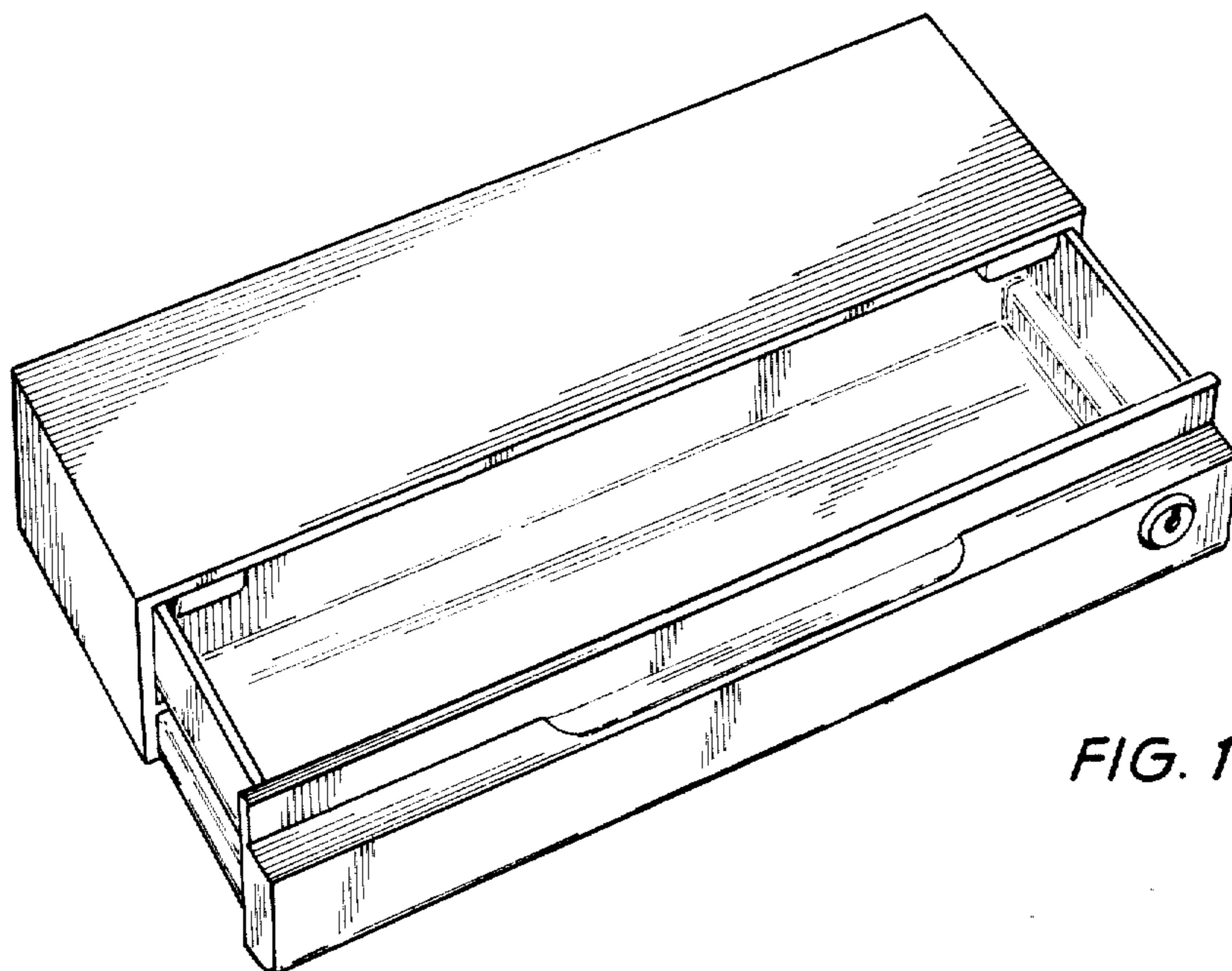


FIG. 1

FIG. 2

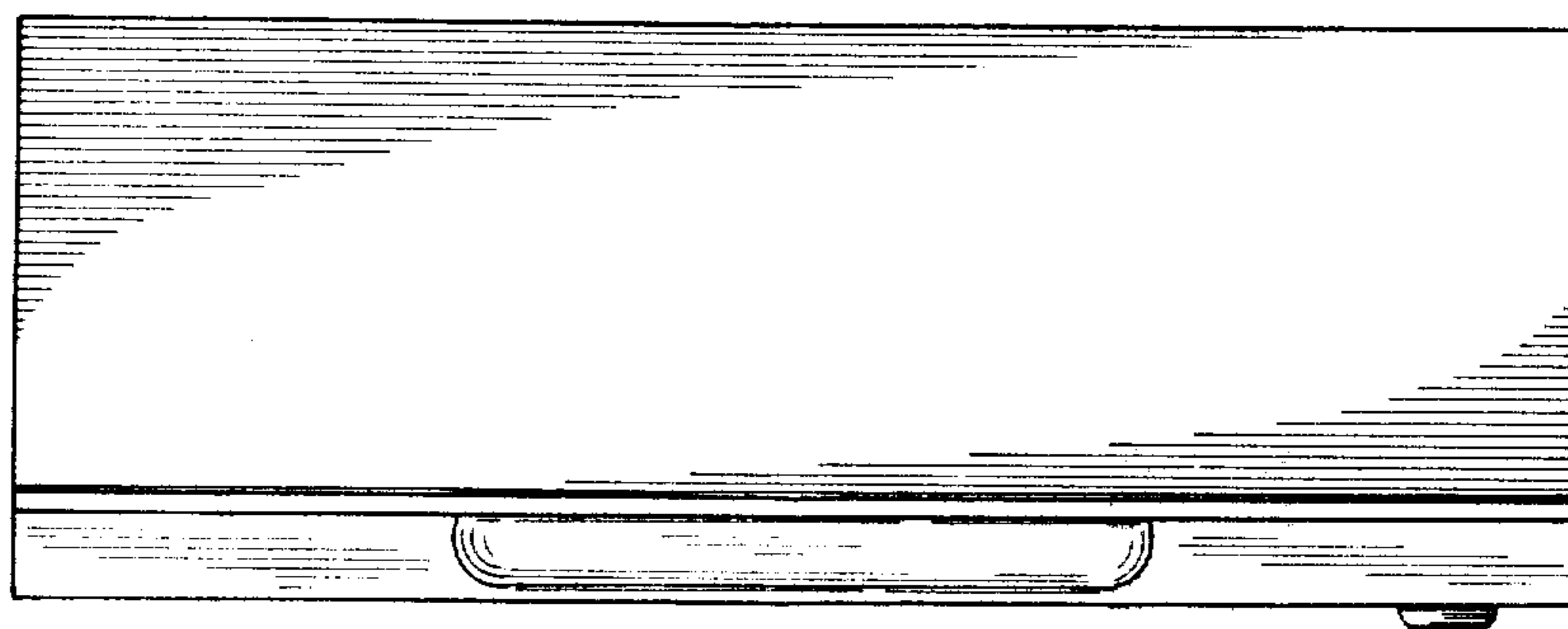
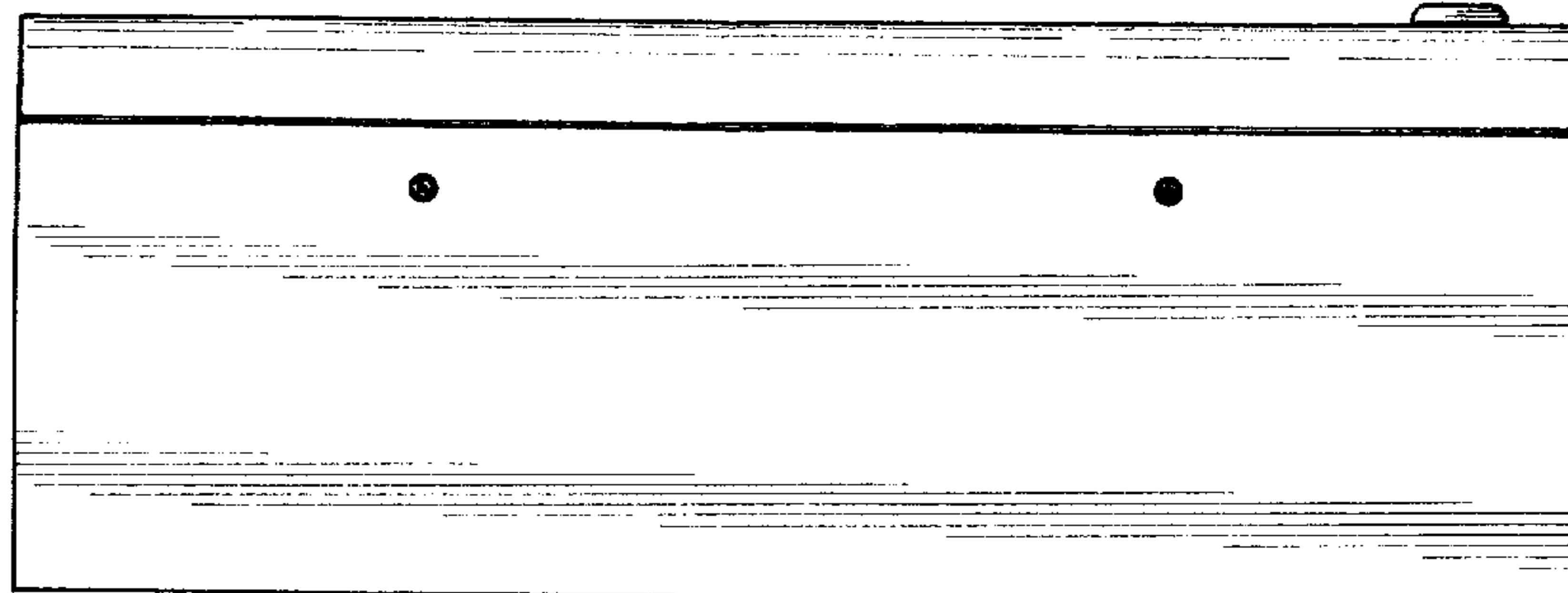


FIG. 3



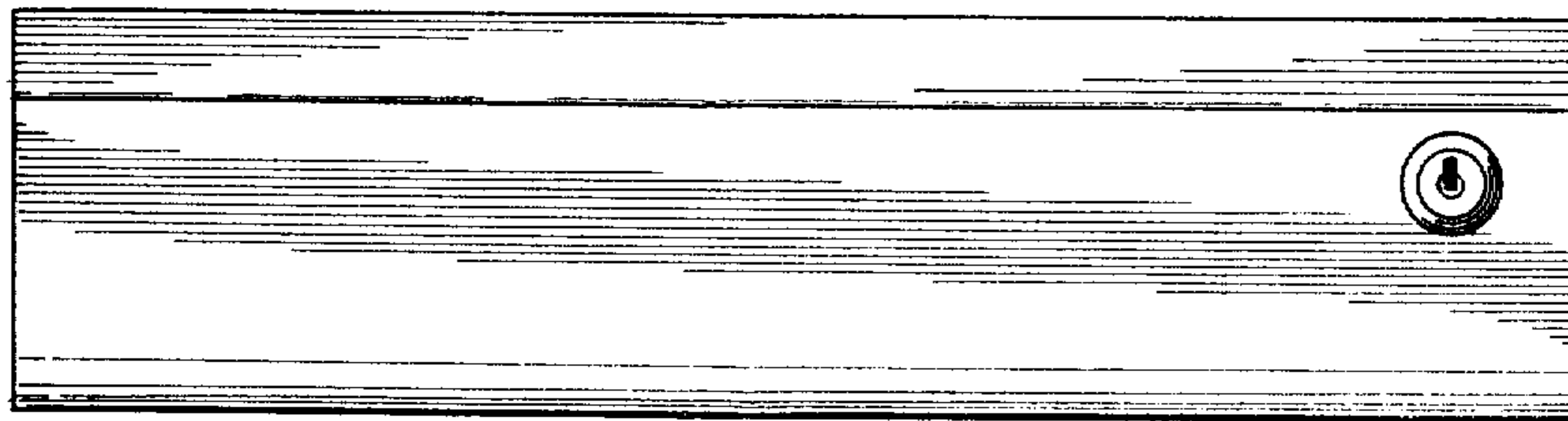


FIG. 4

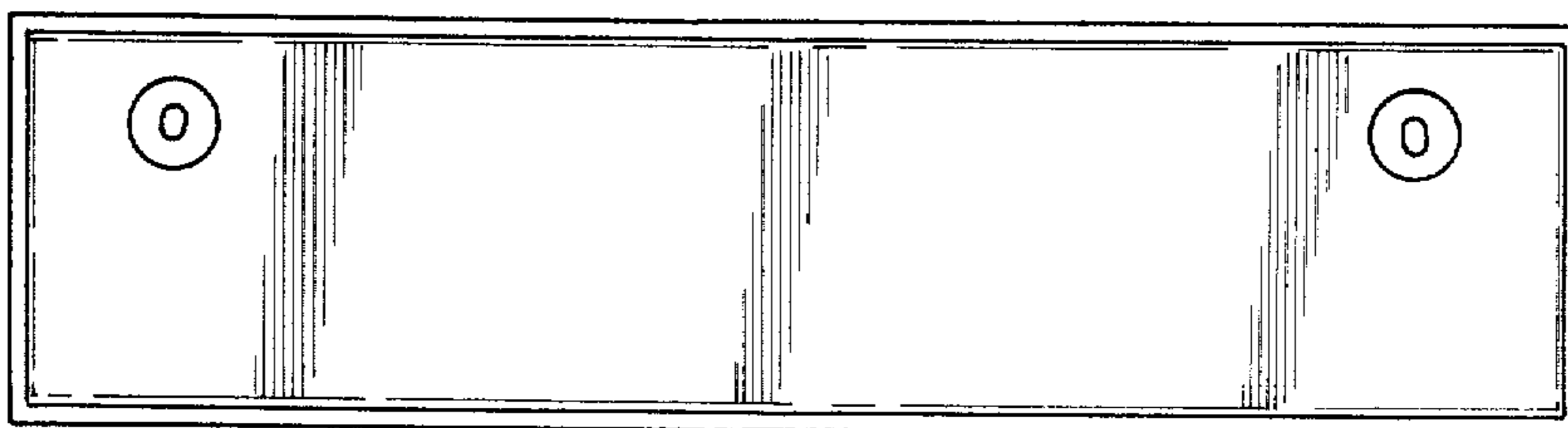


FIG. 5

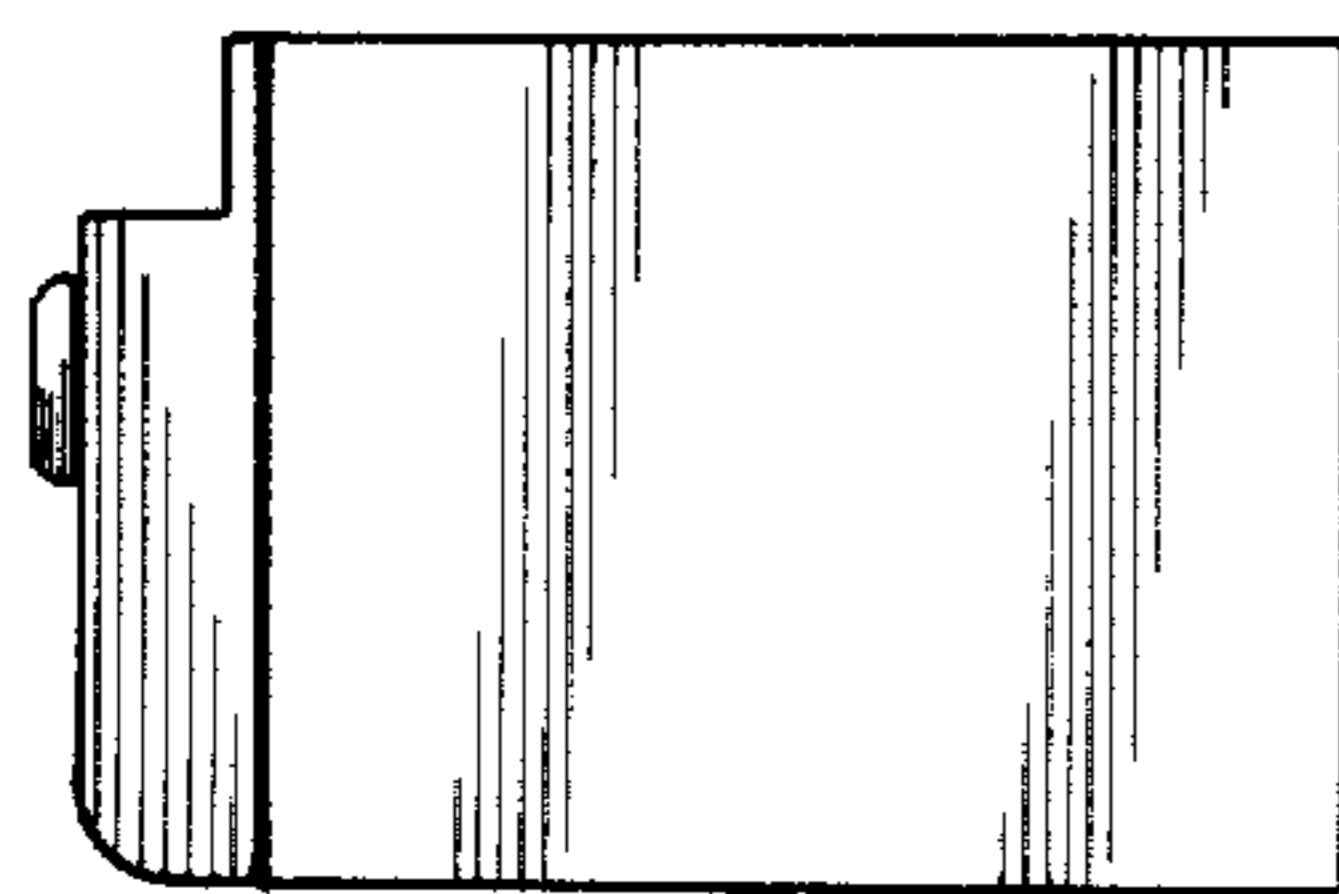


FIG. 6

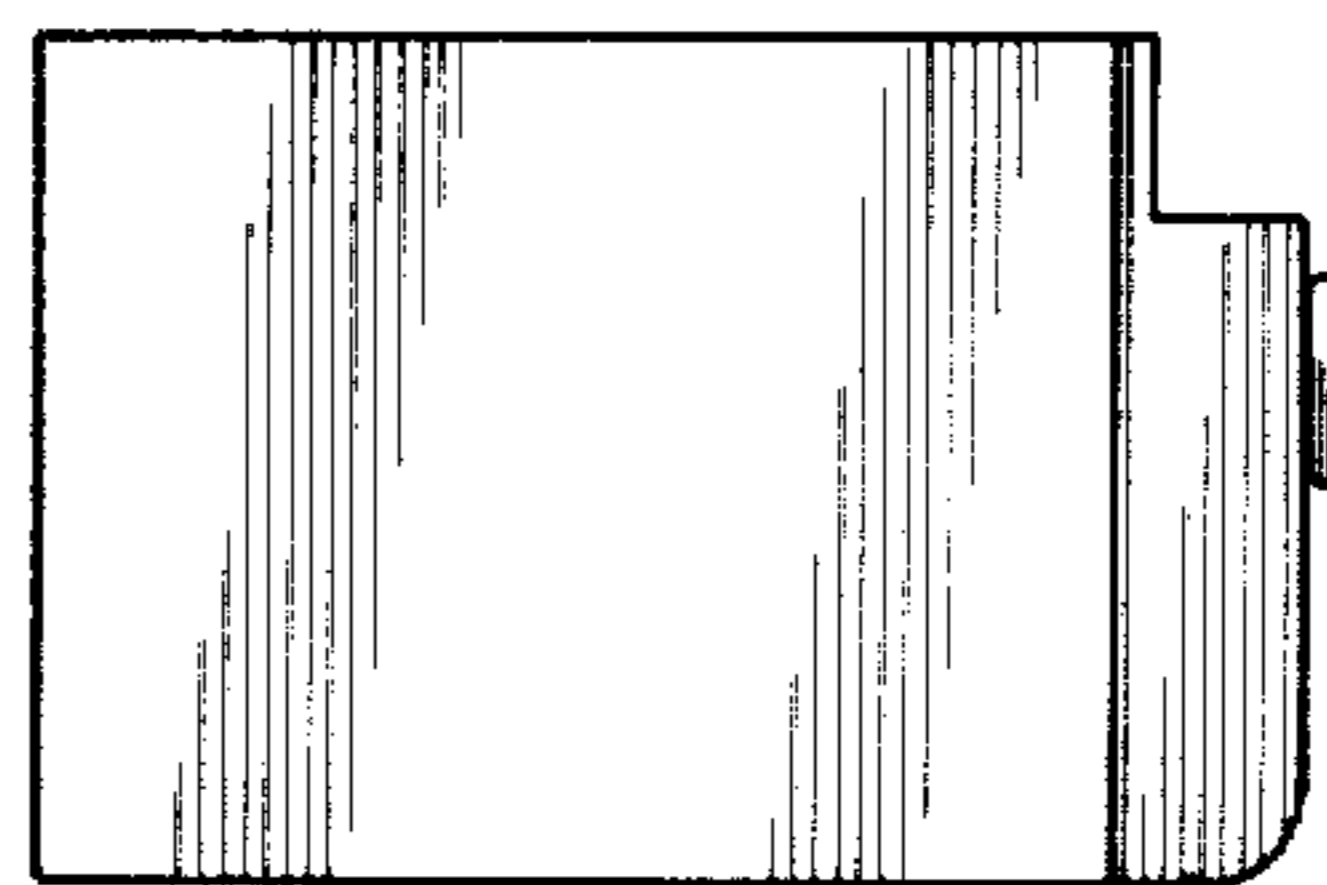


FIG. 7